



PARTS CATALOG

FORCE 125 H.P.

SERIAL NUMBER

125 H.P. (1985)	1251F5A
125 H.P. (1985)	1251FC5A
125 H.P. (1985)	1251X5A
125 H.P. (1985)	1251XC5A
125 H.P. (1985)	1258F5A
125 H.P. (1985)	1258FC5A
125 H.P. (1985)	1258V5A
125 H.P. (1985)	1258X5A
125 H.P. (1985)	1258XC5A

TABLE OF CONTENTS:

ACCESSORIES	55
CARBURETOR	12
CRANKSHAFT AND PISTON GROUP	26
ELECTRICAL COMPONENTS	6
ENGINE COVER AND SUPPORT PLATE	2
FUEL LINE	42
FUEL PUMP AND REED PLATE	16
FUEL TANK AND LINE	44
GEAR HOUSING	32
MOTOR LEG	28
PARTS INDEX	58
POWER HEAD	20
POWER TRIM UNIT	46
REMOTE CONTROL	38
SPECIAL TOOLS - GEAR HOUSING	52
SPECIAL TOOLS - LUBRICANTS AND SEALANTS	54
SPECIAL TOOLS - POWER HEAD	51
SPECIAL TOOLS - TEST EQUIPMENT	53
SPECIAL TOOLS - TUNE-UP	50
STARTER	10

NOTE: Indented description indicate that these parts are included in preceeding assembly.

AR = As Required

NSS = Not Sold Separate

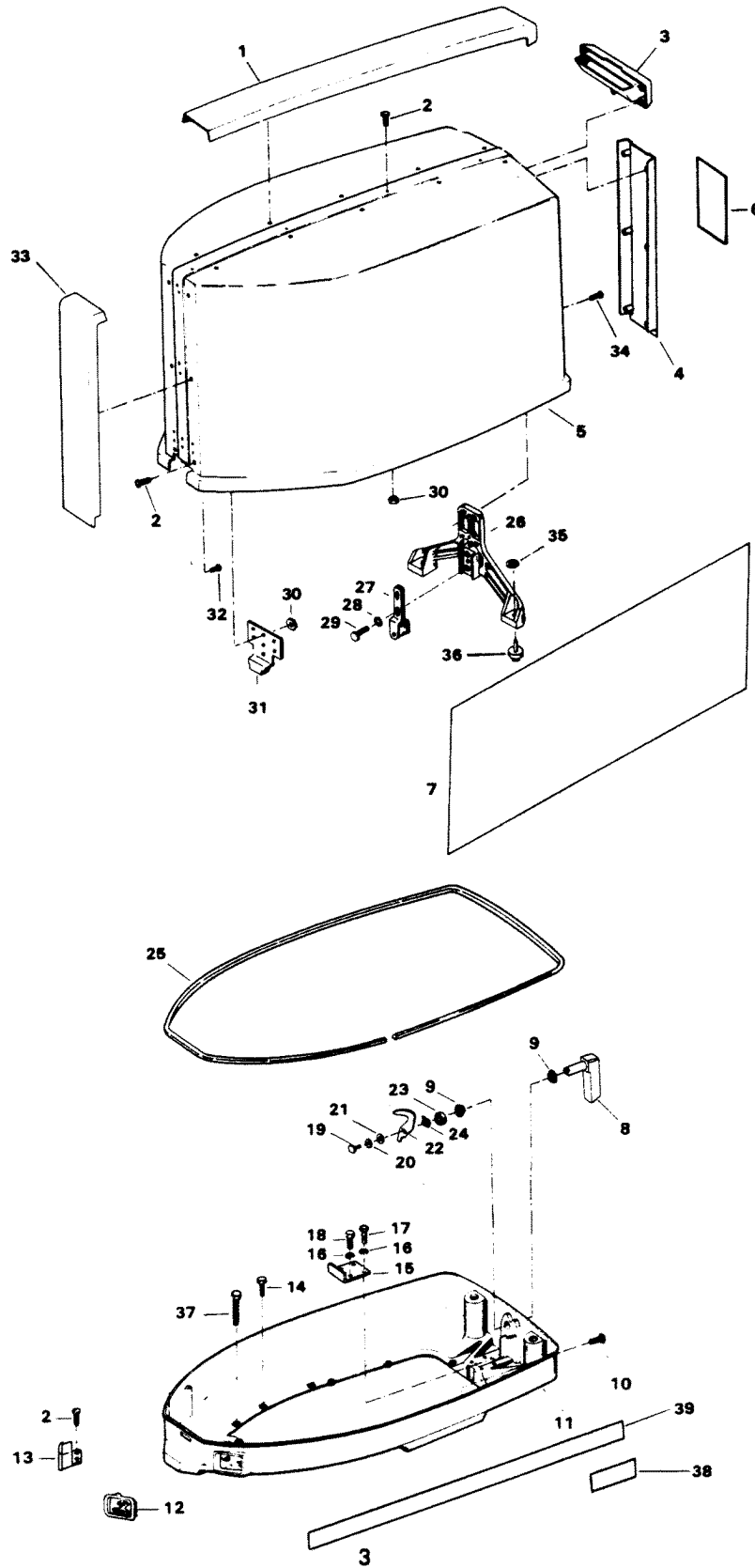
OPT = Optional

NS = Not Shown

THESE PARTS BOOKS/FICHE CARD ARE COPYRIGHTED AND MAY NOT BE DISTRIBUTED OR REPRODUCED IN ANY OTHER FORMAT BY ANYONE OTHER THAN MERCURY MARINE WITHOUT THE PRIOR WRITTEN CONSENT OF MERCURY MARINE.

THIS PAGE INTENTIONALLY LEFT BLANK

ENGINE COVER AND SUPPORT PLATE

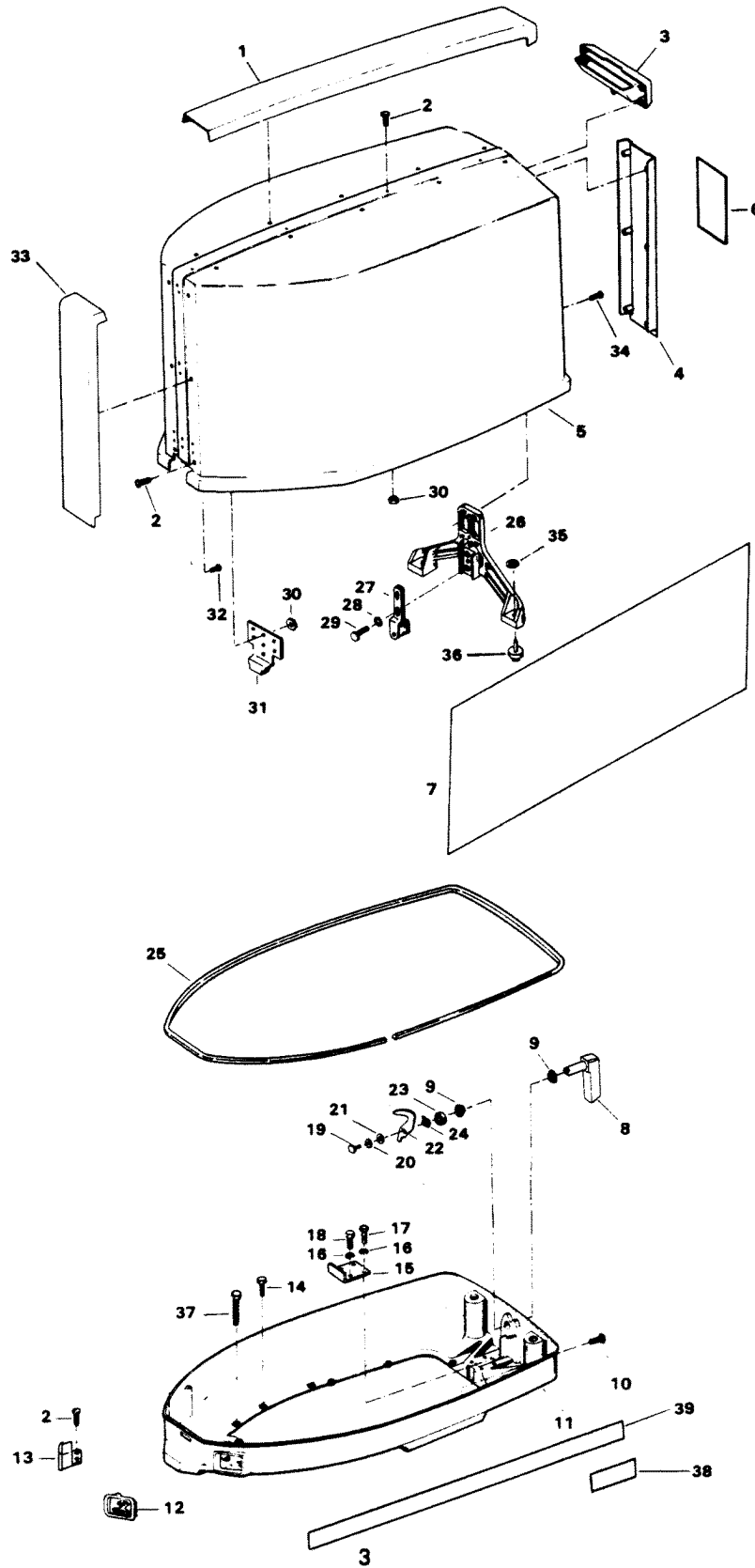


ENGINE COVER AND SUPPORT PLATE

REF. NO.	PART NO.	SYM.	QTY.	DESCRIPTION
1	FA480179		1	TRIM TOP W/LITERATURE
2	F1733		10	PAN HD MACHINE SCREW, 10 - 24 X 9/16
3	FA480269		1	TILT HANDLE W/LITERATURE
4	FA552180		1	TRIM REAR W/LITERATURE
5	FA552944		1	ENGINE COVER W/ILLUS. 2, 30 AND 31
-	F3C631944		1	ENGINE COVER COMPLETE INCLUDES ALL ITEMS MARKED WITH AN ASTERISK (*).
6	FK625366		1	MEDALLION W/LITERATURE
7	FA631397		1	DECAL, PORT W/LITERATURE
-	FA631396		1	DECAL, STARBOARD W/LITERATURE
8	FA481469		1	HANDLE W/SHAFT
9	F286818		2	BEARING
10	F1864		6	HEX CAP SCREW, 1/4 - 20 X 3/4
11	F480038-2		1	SUPPORT PLATE
12	F549189		1	BUSHING, ELECTRIC CABLE
13	F545189		1	BUSHING, CABLE ENTRY
14	F1922		5	HEX CAP SCREW, 1/4 - 20 X 5/8
15	F335654-1		1	DEFLECTION STOP
16	F8096		4	SPRING LOCKWASHER
17	F1857		2	HEX CAP SCREW, 5/16 - 18 X 5/8
18	F1858		2	HEX CAP SCREW, 5/16 - 18 X 1
19	F1854		1	HEX CAP SCREW, 1/4 - 20 X 5/8
20	F8083		1	SPRING LOCKWASHER
21	F8094		1	PLAIN WASHER
22	F481777		1	CAM, LATCH
23	F481382-1		1	SPACER, LATCH SHAFT
24	F2047		1	WAVE SPRING LOCKWASHER
25	F321756		1	PACKING COVER
26	F481774		1	BRACKET, COVER LATCH
27	FA481743		1	ROLLER BRACKET W/ROLLER
28	F8096		2	SPRING LOCKWASHER
29	F1857		2	HEX CAP SCREW, 5/16 - 18 X 5/8
30	F1473		7	HEX NUT
31	F333480-1		1	RETAINER, ENGINE COVER
32	F2066		30	PAN HD TAPPING SCREW, 10 X 7/16 (TRIM TO COVER)
33	FA552888		1	TRIM, FRONT W/LITERATURE
34	F1730		3	PAN HD SCREW W/SPRING LOCKWASHER, 1/4 - 20 X 5/8
35	F2088		2	FASTENER
36	F481434		2	GUIDE, ENGINE COVER

CONTINUED ON NEXT PAGE ➡

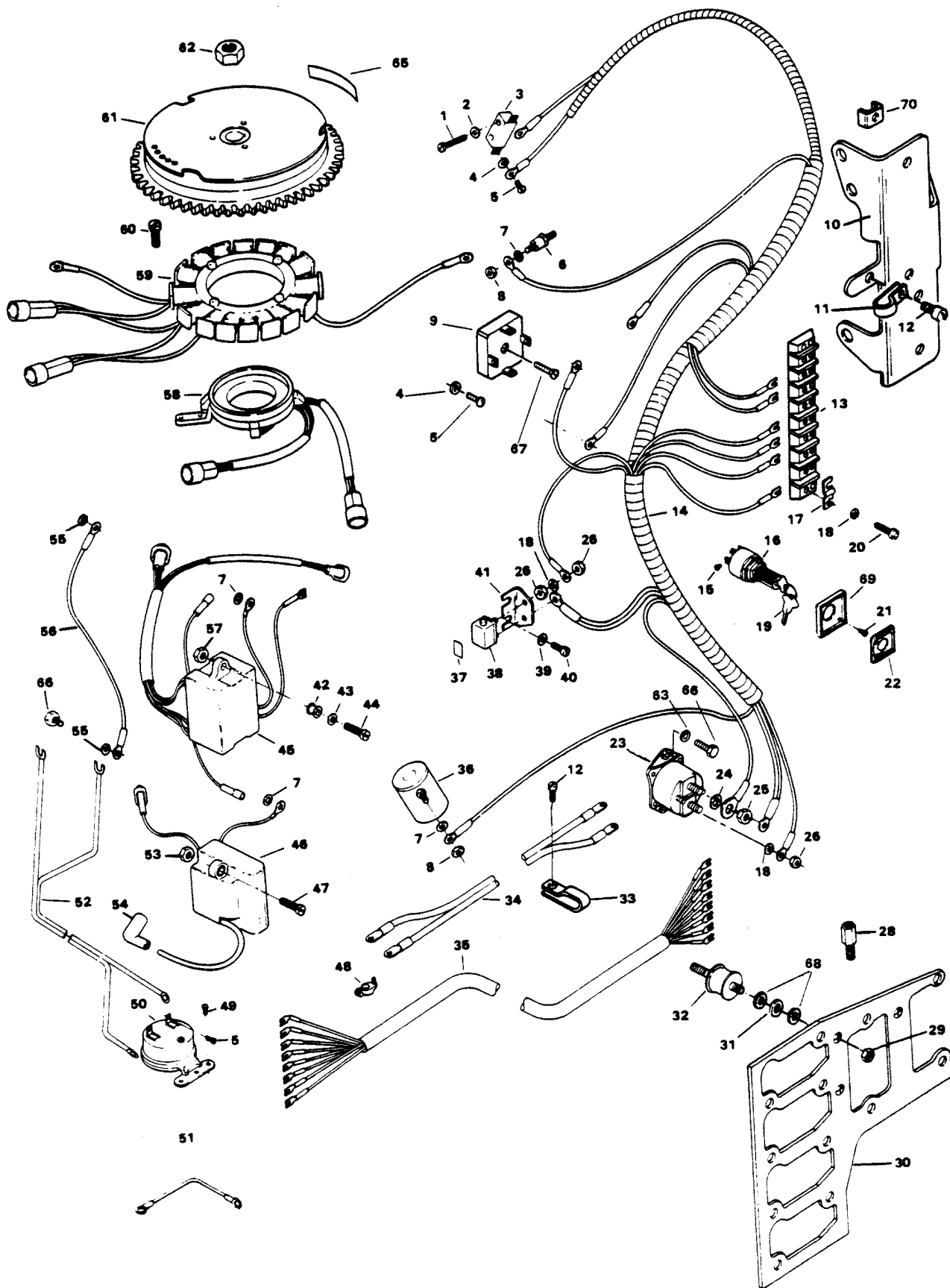
ENGINE COVER AND SUPPORT PLATE



ENGINE COVER AND SUPPORT PLATE

REF. NO.	PART NO.	SYM.	QTY.	DESCRIPTION
37	F1708		2	HEX HD SCREW, 1/4 - 20 X 1-3/8
-	F548984		1	BLANKET, SILENCER TOP (NOT SHOWN)
-	F552985		2	BLANKET, SILENCER SIDE (NOT SHOWN)
38	FA630374		1	DECAL SWIRL W/LITERATURE
39	FA630391		1	DECAL, SUPPORT PLATE W/ILLUS. 38 AND LITERATURE

ELECTRICAL COMPONENTS

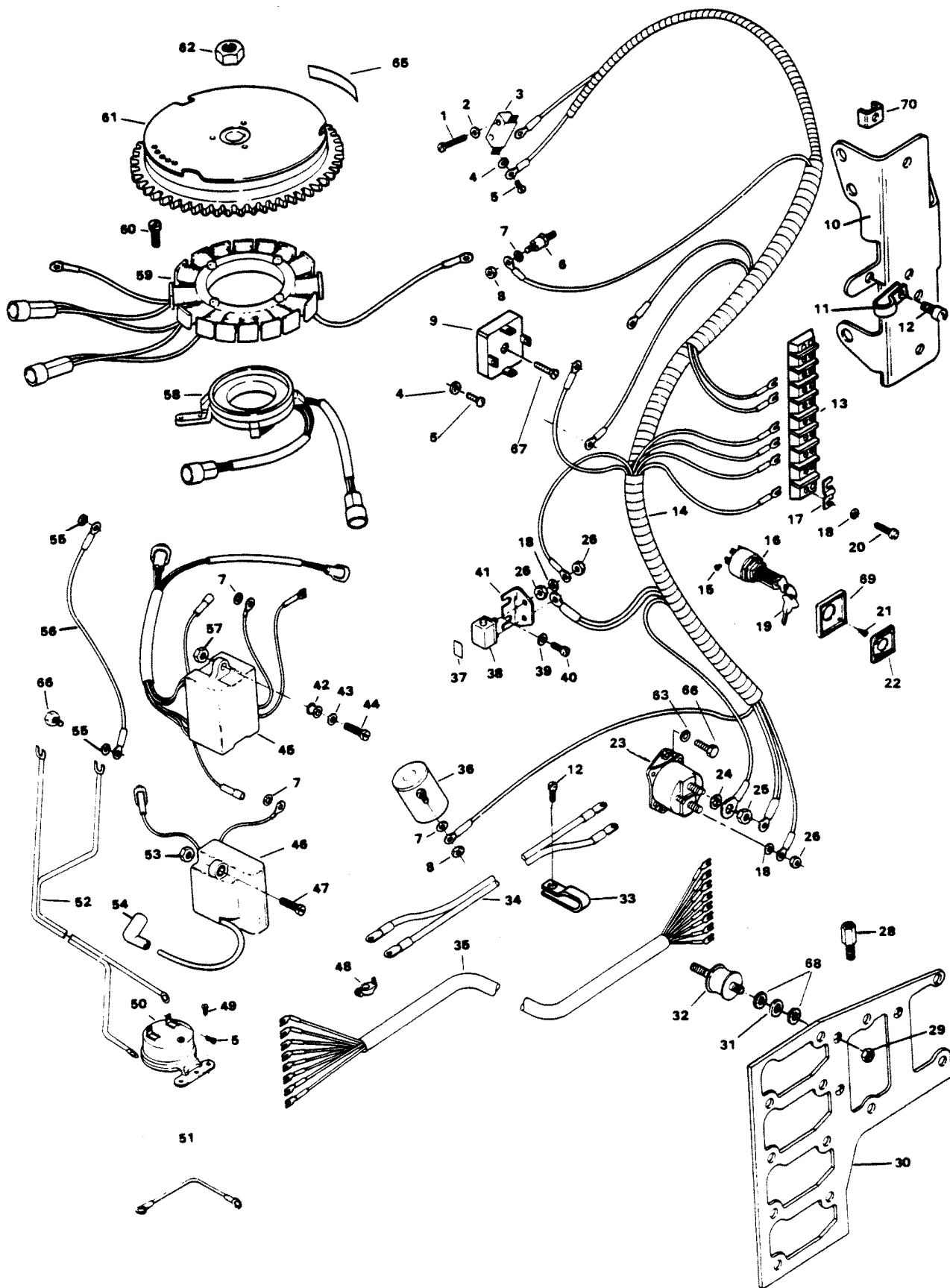


ELECTRICAL COMPONENTS

REF. NO.	PART NO.	SYM.	QTY.	DESCRIPTION
1	F2016		2	SLOTTED FILL HD SCREW, 6 - 32 X 7/8
2	F8088		2	PLAIN WASHER
3	F84449		1	NEUTRAL INTERLOCK SWITCH
4	F1704		6	INTERNAL TOOTH LOCKWASHER
5	F1645		8	RD HD SCREW, 6 - 32 X 1/4
6	87-817939A1		1	THERMOSWITCH WILLUS. 7 AND 8 ORIGINAL FORCE P/N A 311449-1
7	F8056		2	SPRING LOCKWASHER
8	F1647		2	HEX NUT, 8 - 32
9	FK650450		1	RECTIFIER WILLUS. 5 AND 70
10	FA439493		1	BRACKET, TERMINAL BLOCK WILLUS. 12, 44 AND 70
11	F289446-1		1	CLAMP, REMOTE ELEC. CABLE TO BRACKET
12	F1734		2	FILL HD. SCREW, 1/4 - 20 X 1/2
13	FA616497		1	TERMINAL BLOCK WILLUS. 17 AND 20
14	F616744		1	WIRING HARNESS
15	F1280		6	SLOTTED PAN HD SCREW, 8 - 32 X 1/4
16	F5H078		1	SWITCH, IGNITION (ACCESSORY ITEM), LONG BARREL WILLUS. 15 AND 19
17	F307317		2	CLIP, INTERNAL BLOCK GROUND
18	F1975		4	LOCKWASHER
19	817782--1		-	KEY IGNITION - NO LETTER OR STAMPED A
-	817883--1		-	KEY IGNITION - STAMPED B
-	817891--1		-	KEY IGNITION - STAMPED C
-	817928--1		-	KEY IGNITION - STAMPED D
-	817929--1		-	KEY IGNITION - STAMPED E
-	FA27232		1	EMERGENCY STARTER ROPE (NOT SHOWN)
20	F1648		2	PAN HD SCREW, 10 - 24 X 3/4
21	F1934		4	FLAT HD SCREW, 6 X 1/2
22	F412181-1		1	IGNITION SWITCH PLATE
-	817892--1		1	IGNITION SWITCH PLATE - CANADA (NOT SHOWN)
23	FK460917		1	STARTER RELAY WILLUS. 66
24	F8096		2	SPRING LOCKWASHER
25	F1515		2	HEX NUT, S.S., 5/16 - 18
26	F1513		6	HEX NUT, 10 - 32
28	F322273		1	STUD
29	F1515		3	HEX NUT, 5/16 - 18
30	F615358		1	BRACKET (C.D. - COIL)
31	F8090		3	PLAIN WASHER
32	F215962		3	MOUNT (SHOCK - C.D. UNIT)
33	F407446		1	CLAMP
34	F381896-4		1	BATTERY CABLE
35	F5H070		1	ELECTRIC CONTROL CABLE, 21 FEET (ACCESSORY ITEM)
-	F630843		1	ELECTRIC CONTROL CABLE, 22 FEET 1251X5A, 1251XC5A
36	F85924		1	CHOKE SOLENOID

CONTINUED ON NEXT PAGE ➡

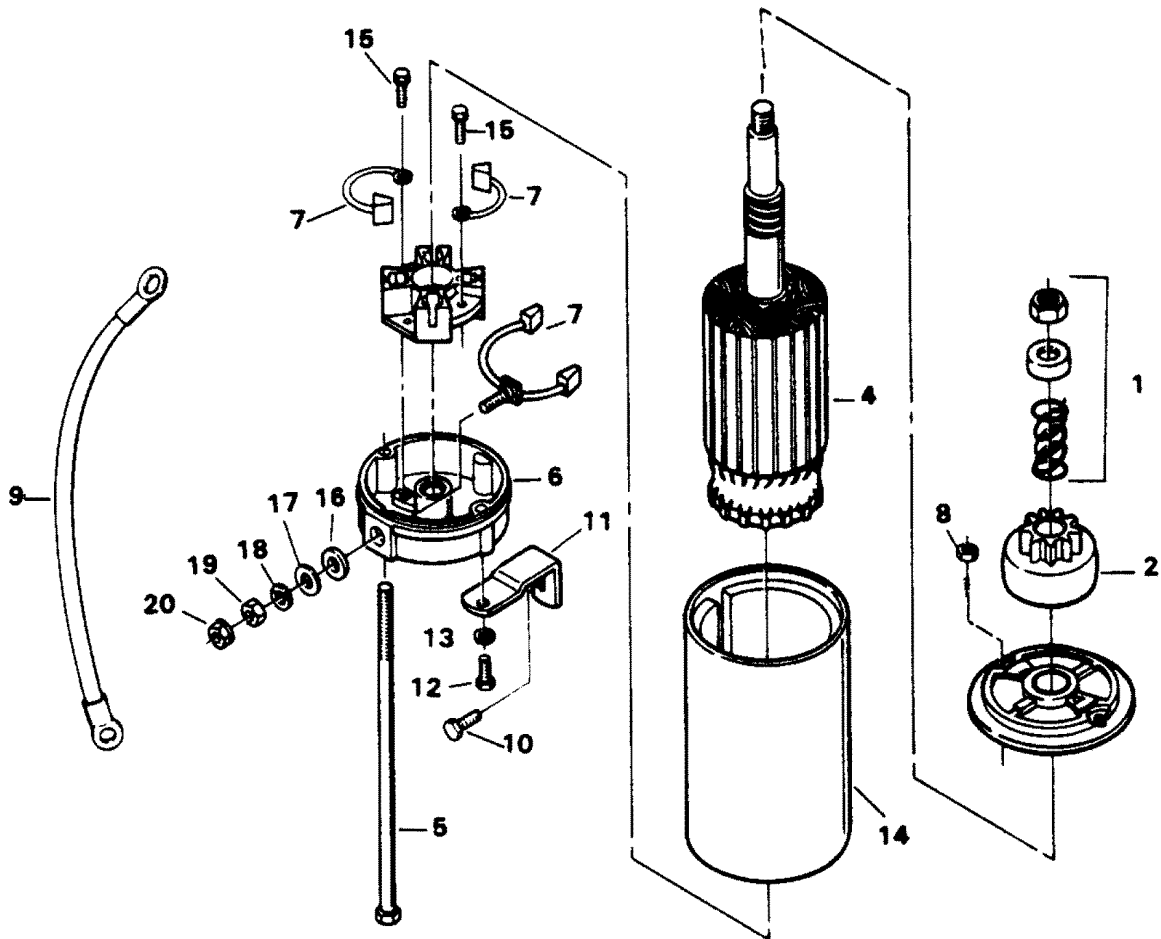
ELECTRICAL COMPONENTS



ELECTRICAL COMPONENTS

REF. NO.	PART NO.	SYM.	QTY.	DESCRIPTION
37	F510374-1		1	DECAL, CIRCUIT BREAKER
38	F510460		1	CIRCUIT BREAKER
39	F8011		2	PLAIN WASHER
40	F1760		2	SLOTTED PAN HD SCREW, 10 - 24 X 3/8
41	F91446-1		1	CIRCUIT BREAKER BRACKET
42	F475504		4	BUSHING
43	F8028		4	PLAIN WASHER
44	F2008		4	HEX HD. M. SC., 1/4 - 20 X 7/8
45	F475301-1		2	MODULE
46	F615475		4	IGNITION COIL
47	F2008		8	HEX HD. SCREW 1/4 - 20 X 7/8
48	F71H26		1	BATTERY TERMINAL KIT (ACCESSORY ITEM)
49	F1741		2	PAN HD SCREW, 8 X 3/4
50	F5H043		1	BUZZER, HEAT INDICATOR (ACCESSORY ITEM)
51	F345683		1	WIRE, GROUND
52	F404841		1	CABLE, HEAT INDICATOR
53	F1341		8	NUT, 1/4 - 20
54	FK1123		4	SPARKIE KIT
55	F2106		2	LOCKWASHER
56	F319908		1	WIRE, GROUND (C.D. - COIL BRACKET)
57	F1832		4	NUT, LOCK 1/4 - 20
58	F615029		1	TRIGGER ASSY.
59	FA615095		1	ALTERNATOR STATOR W/LITERATURE
60	F1550		4	SLOTTED PAN HD. SCREW #12 - 24 X 1
61	FA615097		1	FLYWHEEL W/ILLUS. 65
63	F8083		1	SPRING LOCKWASHER
64	F1877		1	TY-RAP (NOT SHOWN)
65	FA609853		1	DECAL, WARNING W/LITERATURE
66	F1705		3	HD. M. SCREW 1/4 - 20 X 3/4
67	F1303		1	SLOTTED PAN HD. SCREW, 8 - 32 X 3/4
68	F8124		6	TOOTH LOCKWASHER
69	F411420		1	RETAINER, SWITCH PLATE
70	F438668		1	RETAINER

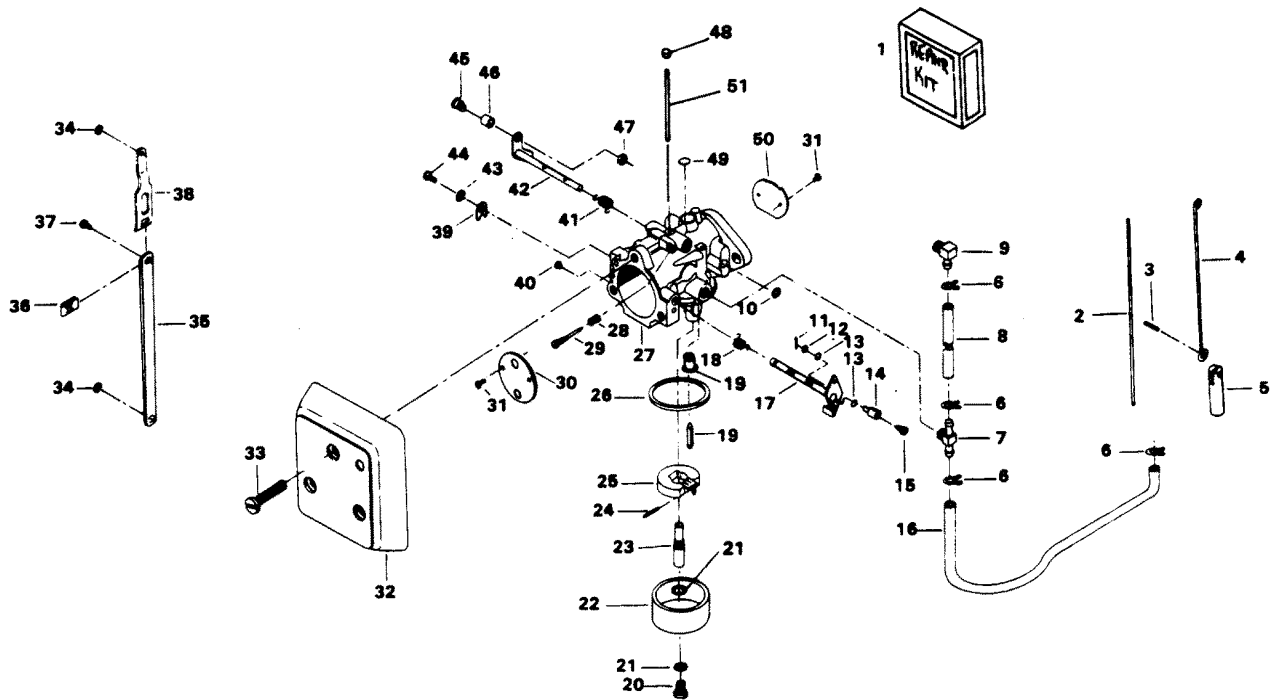
STARTER



STARTER

REF. NO.	PART NO.	SYM.	QTY.	DESCRIPTION
1	F15174		1	DRIVE KIT
2	F15175		1	DRIVE ASSEMBLY, PINION
3	F15176		1	CAP STARTER DRIVE
4	F15177		1	ARMATURE
5	F15178		1	THRU BOLT PACKAGE
6	F15179		1	COMMUTATOR
7	F15164		1	BRUSH KIT
8	F1641		2	LOCK NUT
9	F85908-1		1	LEAD WIRE
10	F1922		1	HEX CAP SCREW, 1/4 - 20 X 5/8
11	F616675		1	STARTER BRACKET LOWER
12	F1854		1	HEX HD. CAP SCREW, 1/4 - 20 X 5/8
13	F8083		1	SPRING LOCKWASHER
14	F616955		1	STARTER COMPLETE. INCLUDES ALL ITEMS MARKED WITH AN ASTERISK (*).
15	F15158		1	SCREW, BRUSH HOLDER
16	F15160		1	INSULATOR WASHER
17	F15161		1	PLAIN WASHER
18	F15152		1	LOCKWASHER
19	F1341		1	NUT
20	F15162		1	NUT

CARBURETOR

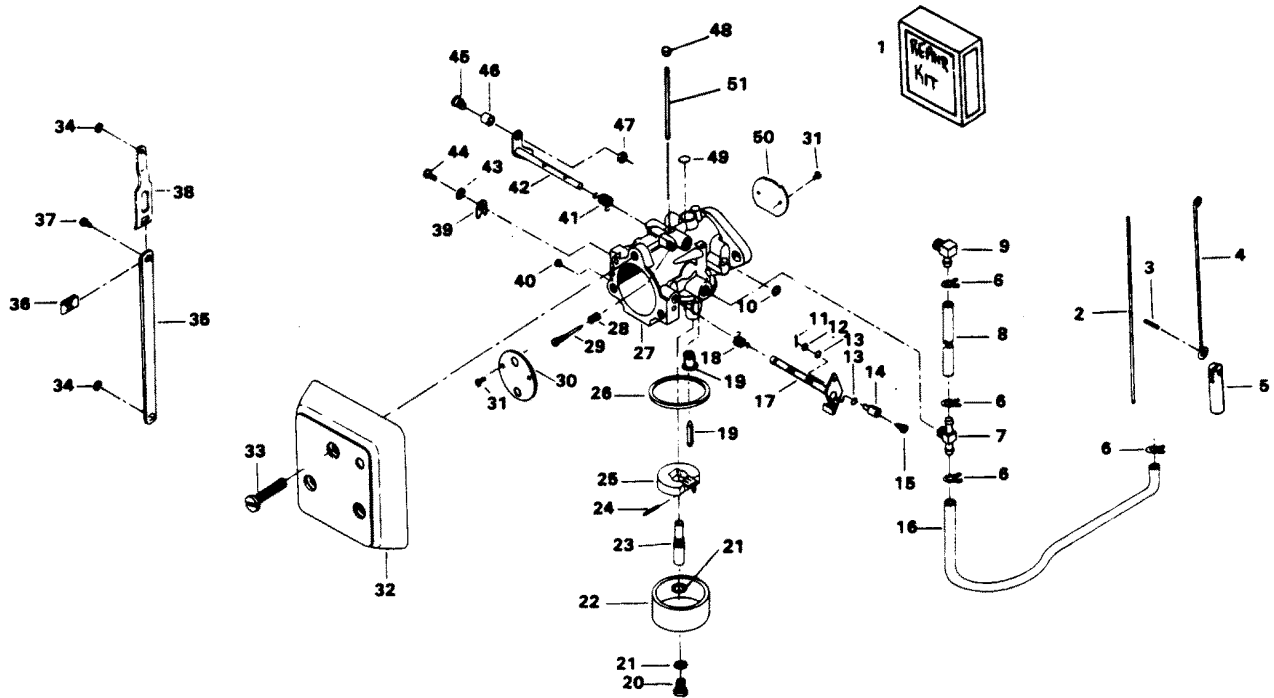


CARBURETOR

REF. NO.	PART NO.	SYM.	QTY.	DESCRIPTION
1	FK10103		1	REPAIR PARTS KIT. INCLUDES ALL ITEMS MARKED WITH AN ASTERISK (*) .
2	F85509-1		1	LINK, CHOKE
3	F2033		1	GROOVE PIN
4	F440925		1	CHOKE ROD
5	F391926-1		1	PLUNGER
6	F97772		4	CLAMP
7	F85314-1		1	FUEL FITTING
8	F178754-1		1	FUEL LINE
9	F84314-2		1	ELBOW
10	FO16620		1	E-RING
11	F1014		2	COTTER PIN
12	F8088		3	PLAIN WASHER
13	F184579		5	O-RING SEAL
14	F184033-1		1	SWIVEL, TOP CARBURETOR
15	F1059		2	FILL HD SCREW, 6 - 32 X 1/4
16	F438754		1	FUEL LINE
17	FO16301		1	CHOKE SHAFT AND LEVER
18	FO17885		1	CHOKE SHAFT RETURN SPRING
19	FK10107		1	INLET NEEDLE AND SEAT W/LITERATURE
20	FO16132		1	FUEL BOWL RETAINING SCREW
21	FO5323		2	FUEL BOWL RETAINING SCREW GASKET
-	F85033		1	SWIVEL, CHOKE ROD (BOTTOM CARBURETOR) (NOT SHOWN)
-	FK10023		1	GASKET SET. INCLUDES ILLUS. 21, 26 AND 31 ON PAGE 12.
22	FO16130		1	FUEL BOWL
23	FO16133		1	MAIN NOZZLE
24	FO13944		1	FLOAT LEVER PIN
25	FO13554		1	FLOAT
26	FO15623		1	FUEL BOWL GASKET
27	F589061-1		2	CARBURETOR COMPLETE
28	FO11103		1	IDLE MIXTURE SCREW SPRING
29	FO14166		1	IDLE MIXTURE SCREW
30	FO17719		1	CHOKE, SHUTTER
31	FO8942		4	CHOKE AND THROTTLE SHUTTER SCREW
32	F511708-1		2	COVER, CARBURETOR
33	F1034		6	PAN HD. SCREW, 1/4 - 20 X 1-3/8
34	F90807		2	RETAINING RING
35	FA178233		1	THROTTLE TIE BAR W/SWIVEL
36	F1693		1	TIE BAR RETAINER NUT
37	F1064		1	FILL HD. SCREW, 8 - 32 X 3/8
38	FA85193		1	TIE BAR END W/SWIVEL
39	FO9678		1	CLIP, CHOKE SHAFT
40	FO14191		1	MAIN FUEL JET STD. .0937 SEA LEVEL - 1500 FT.

CONTINUED ON NEXT PAGE ➡

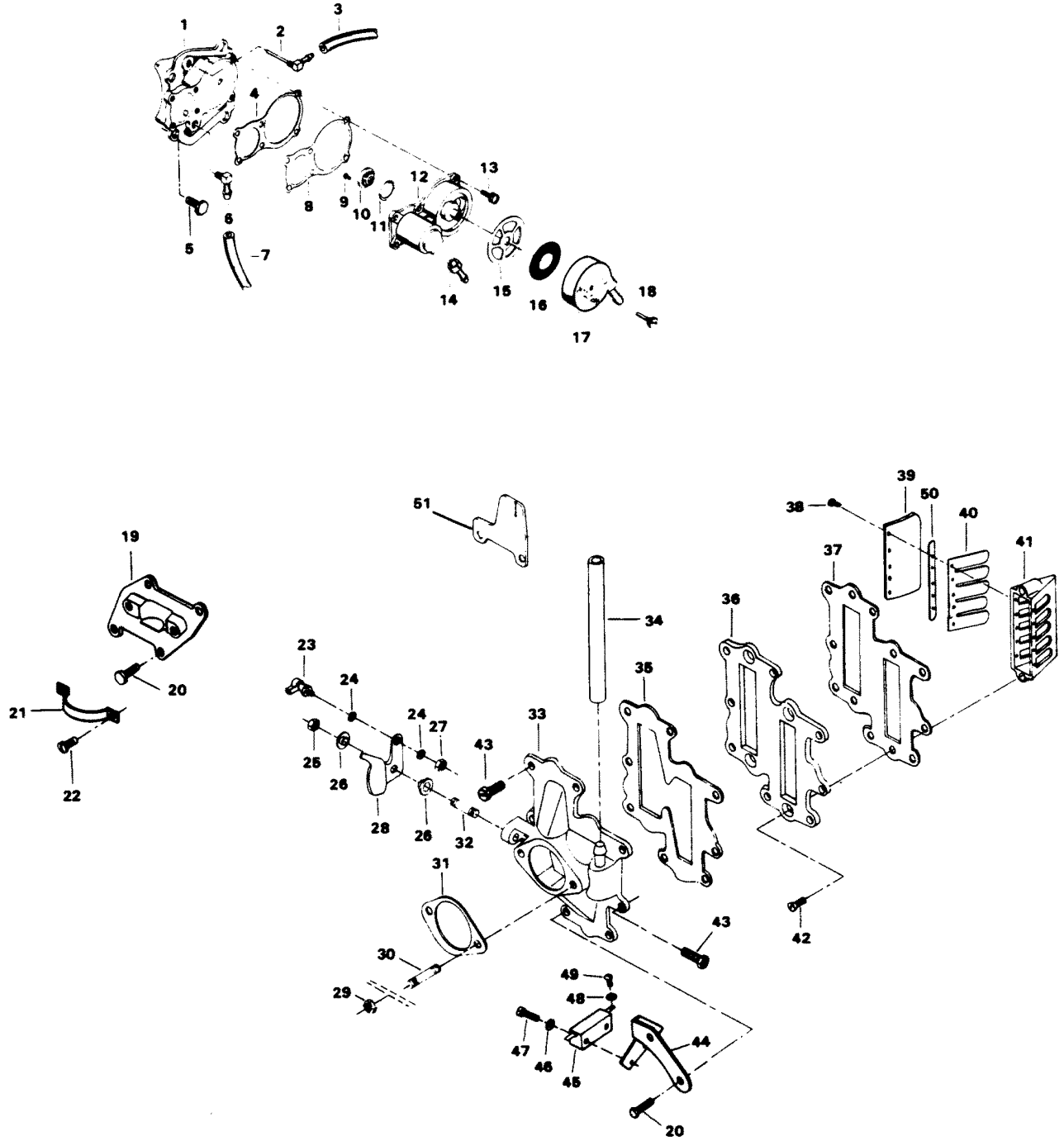
CARBURETOR



CARBURETOR

REF. NO.	PART NO.	SYM.	QTY.	DESCRIPTION
-	FO14190		-	MAIN FUEL JET OPT. .092 1500 - 3000 FT.
-	FO15406		-	MAIN FURL JET OPT. .090 3000 - 4500 FT.
-	FO13193		-	MAIN FUEL JET OPT. .088 4500 - 6000 FT.
-	FO13949		-	MAIN FUEL JET OPT. .086 6000 FT. & UP
41	FO16143		1	THROTTLE SHAFT RETURN SPRING
42	FO17884		1	THROTTLE SHAFT AND LEVER
43	FO992		1	LOCKWASHER
44	FO1974		1	SCREW
45	F333316		1	THROTTLE ROLLER SHAFT
46	F92759		1	THROTTLE ROLLER
47	F1997		1	STOP NUT, 8 - 32
48	FO10588		4	BODY CHANNEL CUP PLUG
49	FO16128		1	BODY CHANNEL WELCH PLUG
50	FO16142		1	THROTTLE SHUTTER
51	F433473		1	CUP, METERING
52	FO16993		1	BY PASS TUBE

FUEL PUMP AND REED PLATE

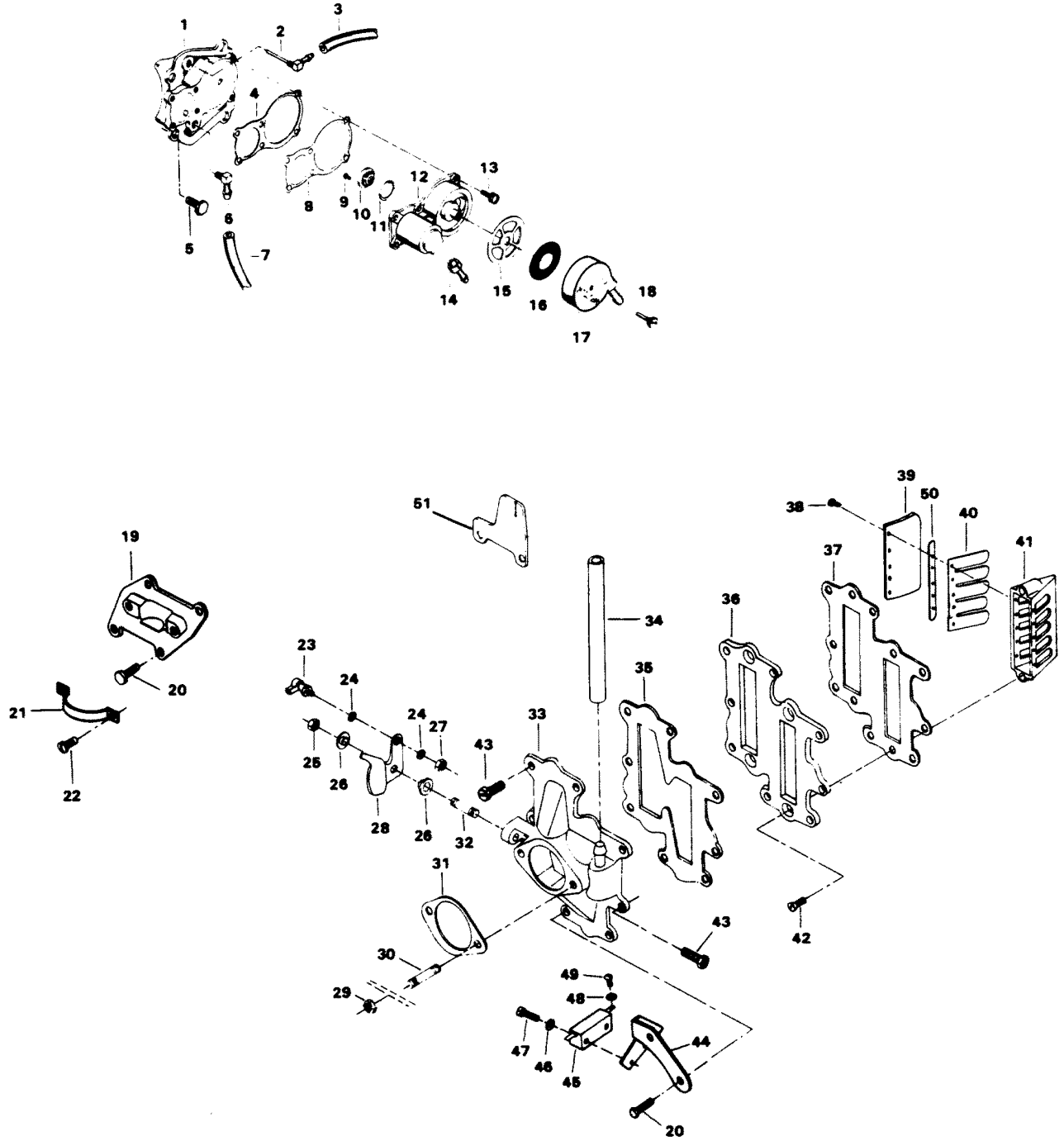


FUEL PUMP AND REED PLATE

REF. NO.	PART NO.	SYM.	QTY.	DESCRIPTION
1	FA439746		1	FUEL PUMP COVER W/PLUG
2	F404314		1	ELBOW, FUEL PUMP COVER
3	F441754-1		1	HOSE
4	F438760		1	FUEL PUMP GASKET
5	F1922		4	HEX CAP SCREW, 1/4 - 20 X 5/8
6	F84314-2		1	ELBOW
7	F89758		1	FUEL PUMP AIR HOSE - TOP
8	F438747		1	FUEL PUMP DIAPHRAGM
9	F1860		2	RD HD SCREW, 6 - 32 X 1/4
10	F177330		3	FUEL PUMP VALVE
11	F84792		1	GASKET, CENTER FUEL PUMP VALVE
12	FA438431		1	FUEL PUMP BODY W/ILLUS. 9, 10 AND 11
13	F1108		6	FILL HD. SCREW, 1/4 - 20 X 3/4
14	F438801		1	FITTING
15	F438617		1	FUEL SEDIMENT BOWL GASKET
16	F438653		1	FUEL SEDIMENT BOWL SCREEN
17	F438500		1	FUEL SEDIMENT BOWL
18	F438165		1	SCREW, FUEL PUMP BOWL
19	F372958		1	CHOKE BRACKET
20	F1532		6	HEX HD. SCREW, 1/4 - 20 X 1
21	F85317-2		1	SOLENOID CLAMP
22	F1236		2	SCREW. 1/4 - 20 X 1/2
23	817747--1		1	BALL JOINT W/STUD
24	F8058		2	INTERNAL TOOTH LOCKWASHER
25	F7008		1	STOP NUT, 1/4 - 20
26	F269319		2	THROTTLE CAM BEARING
27	F1513		1	HEX NUT, 10 - 32
28	F440192-1		1	THROTTLE CAM
29	F1346		4	HEX NUT
30	F440209		4	CARBURETOR STUD
31	F440906		2	CARBURETOR GASKET
32	F433209-1		1	THROTTLE CAM STUD
33	FA440167		1	CARBURETOR ADAPTER, LOWER W/FITTING AND ILLUS. 30
-	FA440157		1	CARBURETOR ADAPTER, UPPER W/FITTING AND ILLUS. 30 (NOT SHOWN)
34	F440254		1	BALANCE TUBE
35	F178168-1		1	GASKET, CARBURETOR ADAPTER
36	F178404-1		2	DEFLECTOR PLATE
37	F406406		2	GASKET DEFLECTOR PLATE
38	F1755		40	ROUND HD. SCREW W/LOCKWASHER 6 - 32 X 1/4
39	F85161-1		8	REED STOP
40	F530160		8	REED (5 PETAL)
41	F3A523158		4	REED PLATE W/ILLUS. 38, 39, 40, 44 AND 51

CONTINUED ON NEXT PAGE ➡

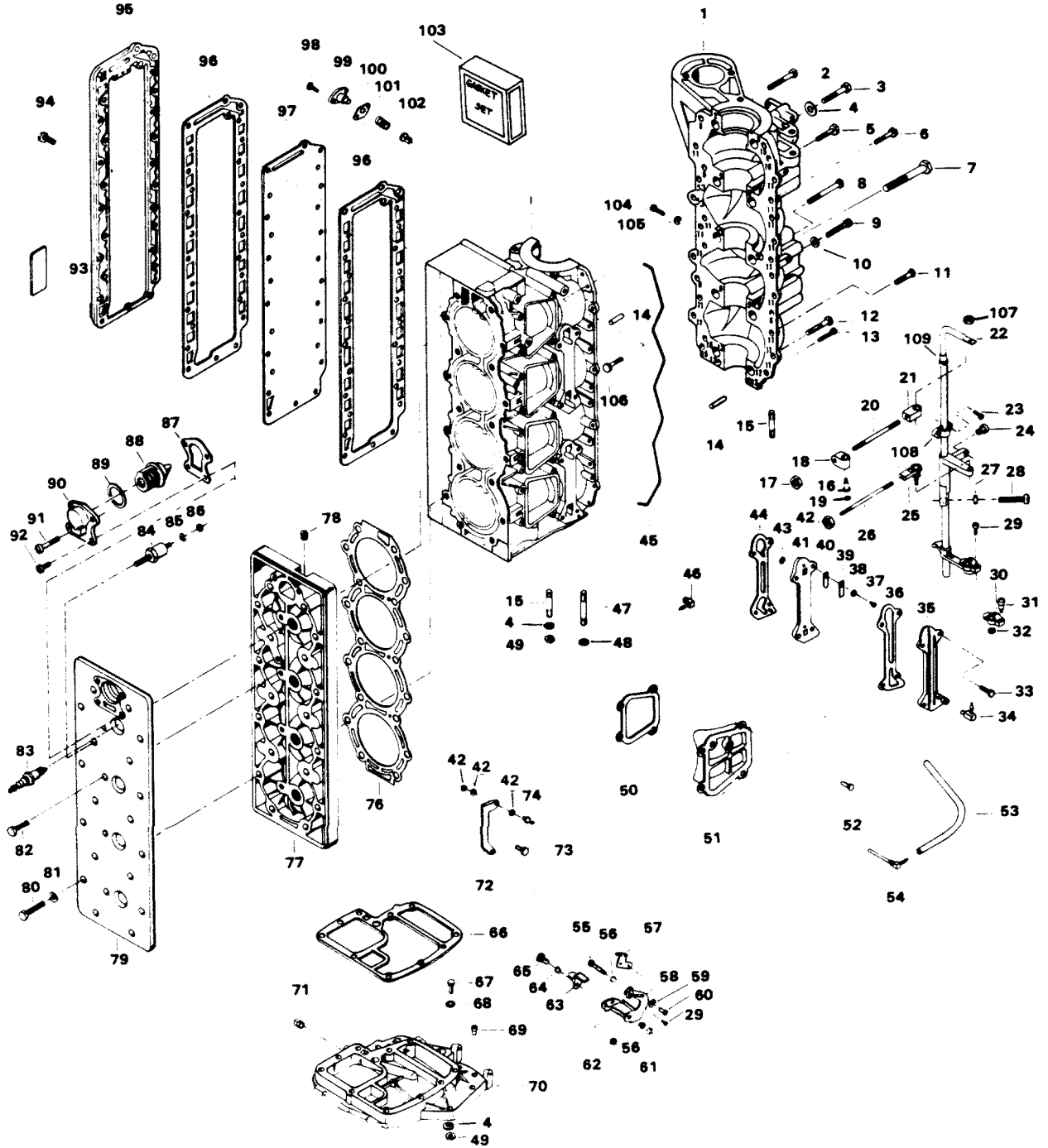
FUEL PUMP AND REED PLATE



FUEL PUMP AND REED PLATE

REF. NO.	PART NO.	SYM.	QTY.	DESCRIPTION
42	F1831		8	FLAT HD SCREW, 1/4 - 20 X 5/8
43	F2008		10	HEX HD SCREW, 1/4 - 20 X 7/8
44	F489551		1	BRACKET NEUTRAL INTERLOCK SWITCH
50	F523451		8	SPACER, REED STOP
51	F500894		1	POINTER, TIMING

POWER HEAD

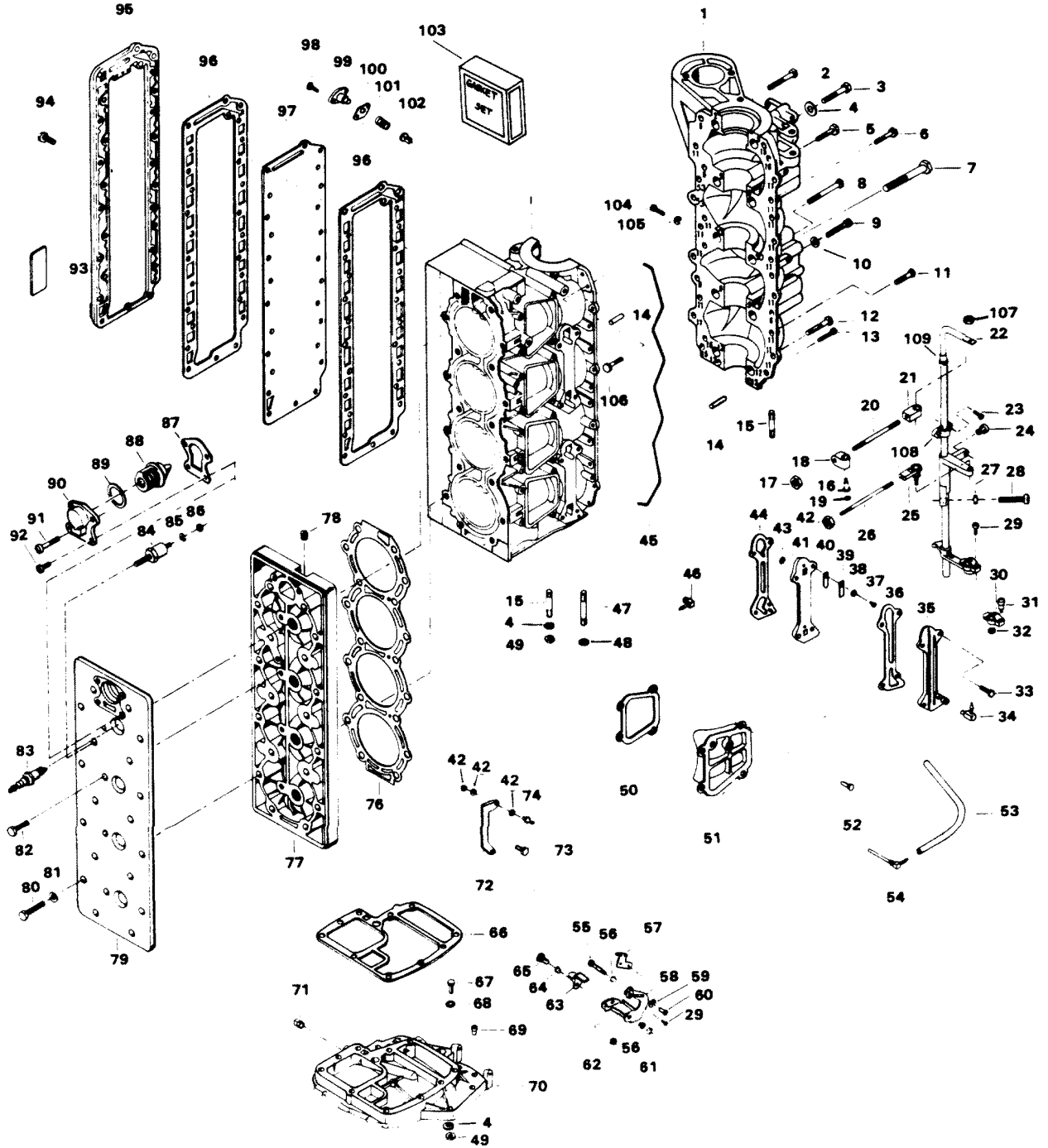


POWER HEAD

REF. NO.	PART NO.	SYM.	QTY.	DESCRIPTION
1	800-817864A6		1	CYLINDER W/CRANKCASE COVER ILLUS. 2, 3, 7, 9, 12, 14, 15 45 AND 47 ORIGINAL FORCE P/N A 615010-1
-	800-818154A6		1	SHORT BLOCK CONTAINS ALL ITEMS MARKED WITH AN ASTERISK (*). ALSO REFER TO CRANKSHAFT PAGE. ORIGINAL FORCE P/N C 615010-1
2	F1874		1	HEX HD. SCREW, 3/8 - 16 X 1/8
3	F1009		1	HEX HD. SCREW, 3/8 - 16 X 2-3/4
4	F8038		4	PLAIN WASHER
5	F2008		2	HEX HD. SCREW, 1/4 - 20 X 7/8
6	F2008		3	HEX HD. SCREW, 1/4 - 20 X 7/8
7	F1873		2	HEX CAP SCREW, 3/8 - 16 X 3
8	F1699		1	HEX HD. SCREW, 1/4 - 20 X 1-1/8
9	F1253		4	HEX SOCKET HD. CAP SCREW, 3/8 - 16 X 2
10	F8104		4	PLAIN WASHER
11	F1864		16	HEX HD. SCREW, 1/4 - 20 X 3/4
12	F1872		2	HEX CAP SCREW, 3/8 - 16 X 1-3/4
13	F1504		2	FILL HD. SCREW, 1/4 - 20 X 1-1/4
14	F8563		2	DOWEL PIN
15	F85859		4	STUD
16	F499026		1	SWIVEL
17	F2015		1	HEX NUT, 1/4 - 28
18	F499035		1	END, CONTROL ROD (TO TOWERSHAFT)
20	F85445		1	CONTROL ROD
21	F499036		1	END, CONTROL ROD (TO TRIGGER)
22	817960A2		1	TOWERSHAFT W/ILLUS. 30, 76, 77, 24, 25, 27 AND 28 ORIGINAL FORCE P/N K 491838-1
23	F1829		2	FILL HD. SCREW, 10 - 24 X 7/8
24	F1727		1	PLASTIC RIVET
25	817747--1		1	BALL JOINT W/STUD
26	F85502		1	THROTTLE LINK
27	F1341		1	HEX NUT, 1/4 - 20
28	F1052		1	FILL HD. SCREW, 1/4 - 20 X 1
29	F1556		2	FILL HD. SCREW, W/LOCKWASHER, 10 - 24 X 3/8
30	FK405020		2	SWIVEL W/CLAMP, SHOULDER SCREW AND NUT
31	F405457		1	PIVOT SCREW
32	F7008		1	ELASTIC STOP NUT
33	F1532		8	HEX HD. SCREW, 1/4 - 20 X 1
34	22-818103--1		1	ELBOW, CYLINDER DRAIN LOWER
-	F404801		1	ELBOW, CYLINDER DRAIN UPPER (NOT SHOWN)
35	F406471-1		2	CYLINDER DRAIN COVER
36	F84472-5		2	GASKET, CYLINDER DRAIN COVER
37	F1286		4	PAN HD. SCREW, 4 - 40 X 3/16
38	F8003		4	PLAIN WASHER
39	F93920		4	REED STOP

CONTINUED ON NEXT PAGE ➡

POWER HEAD

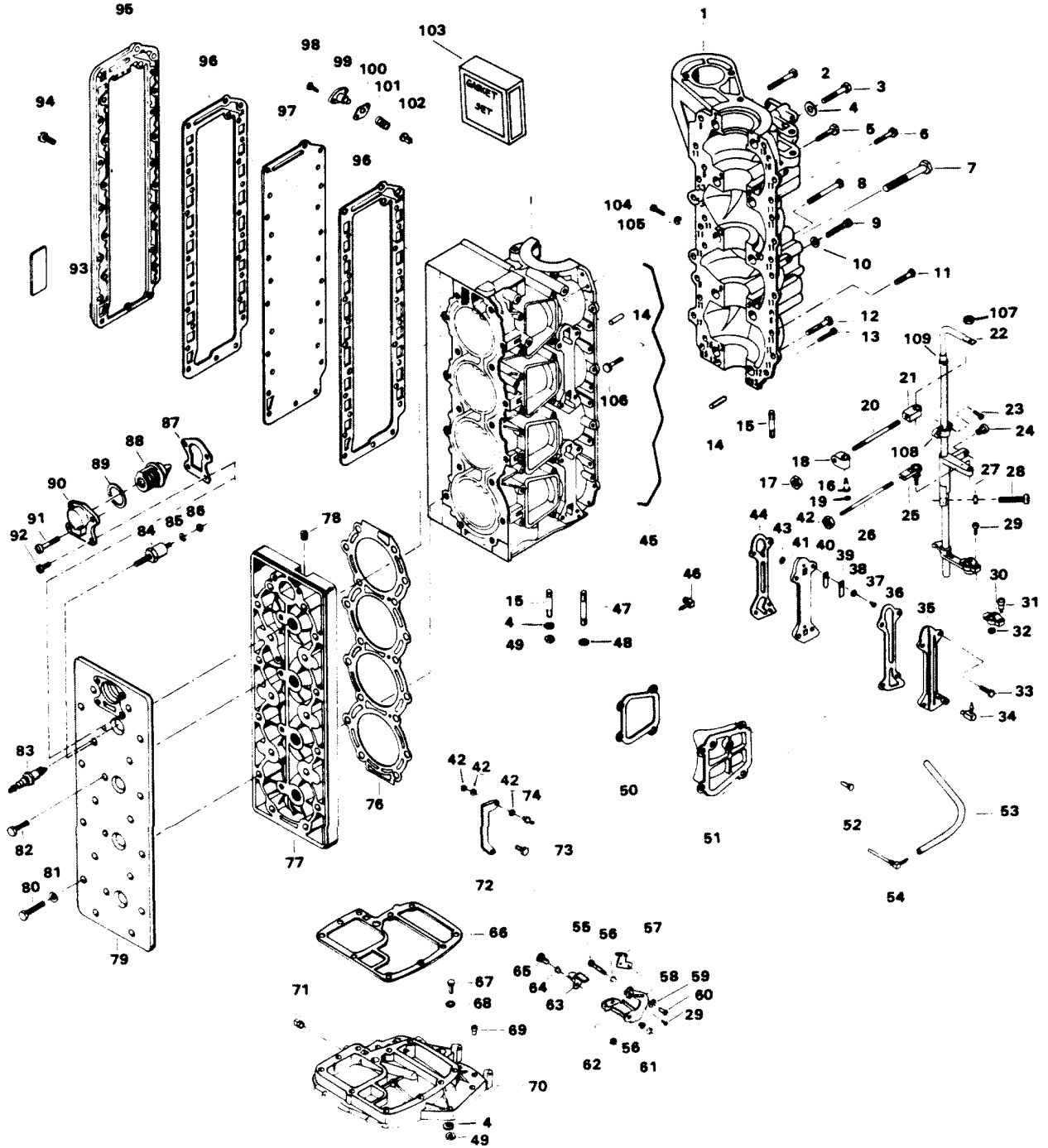


POWER HEAD

REF. NO.	PART NO.	SYM.	QTY.	DESCRIPTION
40	F18160-2		4	CYLINDER DRAIN REED
41	F2A476757		2	CYLINDER DRAIN REED PLATE W/ILLUS. 37, 38, 39, 40 AND 43
42	F1513		2	HEX NUT, 10 - 32
43	F93811		4	SCREEN
44	F84748-3		2	GASKET, CYL. DRAIN REED PLATE
45	F184122-1		1	SEAL, PARTING LINE
46	F84314-2		1	ELBOW
47	F85211		6	STUD
48	F8095		12	PLAIN WASHER
49	F7004		10	STOP NUT, 3/8 - 16
50	F40223		4	GASKET, TRANSFER PORT COVER
51	FA411222		3	TRANSFER PORT COVER W/ILLUS. 78 AND LITERATURE
52	F1922		9	HEX CAP SCREW, 1/4 - 20 X 5/8
53	F406754-1		1	HOSE
54	F404314		1	FITTING
55	F1885		1	HEX BOLTS. S.S., 5/16 - 18 X 4-1/4
56	F85610		2	BEARING
57	F480107-1		1	CAM STARTER INTERLOCK
58	FA480876		1	GEAR SHIFT ARM W/ILLUS. 30, 56, 62, 63, 64 AND 65
59	F2042		2	PLAIN WASHER
60	F2089		2	SLOTTED PAN HD. M. SCREW, 10 - 24 X 5/16
61	F2108		1	STOP NUT, 5/16 - 18
62	F1832		1	STOP NUT, 1/4 - 20
63	F369977-1		1	INTERLOCK ARM
64	F369610		1	BEARING
65	F369887		1	SHOULDER SCREW
66	F85279-2		1	GASKET, CYLINDER EXHAUST UPPER
67	F1869		6	HEX CAP SCREW, 3/8 - 16 X 1-1/4
68	F1703		6	LOCKWASHER
69	F40689-1		1	BEARING
70	817788A3		1	SPACER PLATE W/ILLUS. 71 ORIGINAL FORCE P/N A 404680-1
71	F2090		1	PLUG
72	FS85872-1		1	BRACKET
73	F1864		2	HEX CAP SCREW, 1/4 - 20 X 3/4
74	F98273		2	ROD END CONNECTOR STUD
75	F1804		2	STOP NUT
76	F476529-1		1	CYLINDER HEAD GASKET
77	FA615518		1	CYLINDER HEAD W/ILLUS. 78
78	F19109		1	PLUG
79	F528995		1	COVER, CYLINDER HEAD
80	F2049		18	HEX CAP SCREW, 5/16 - 18 X 2-5/8
81	F1987		18	PLAIN WASHER

CONTINUED ON NEXT PAGE ➡

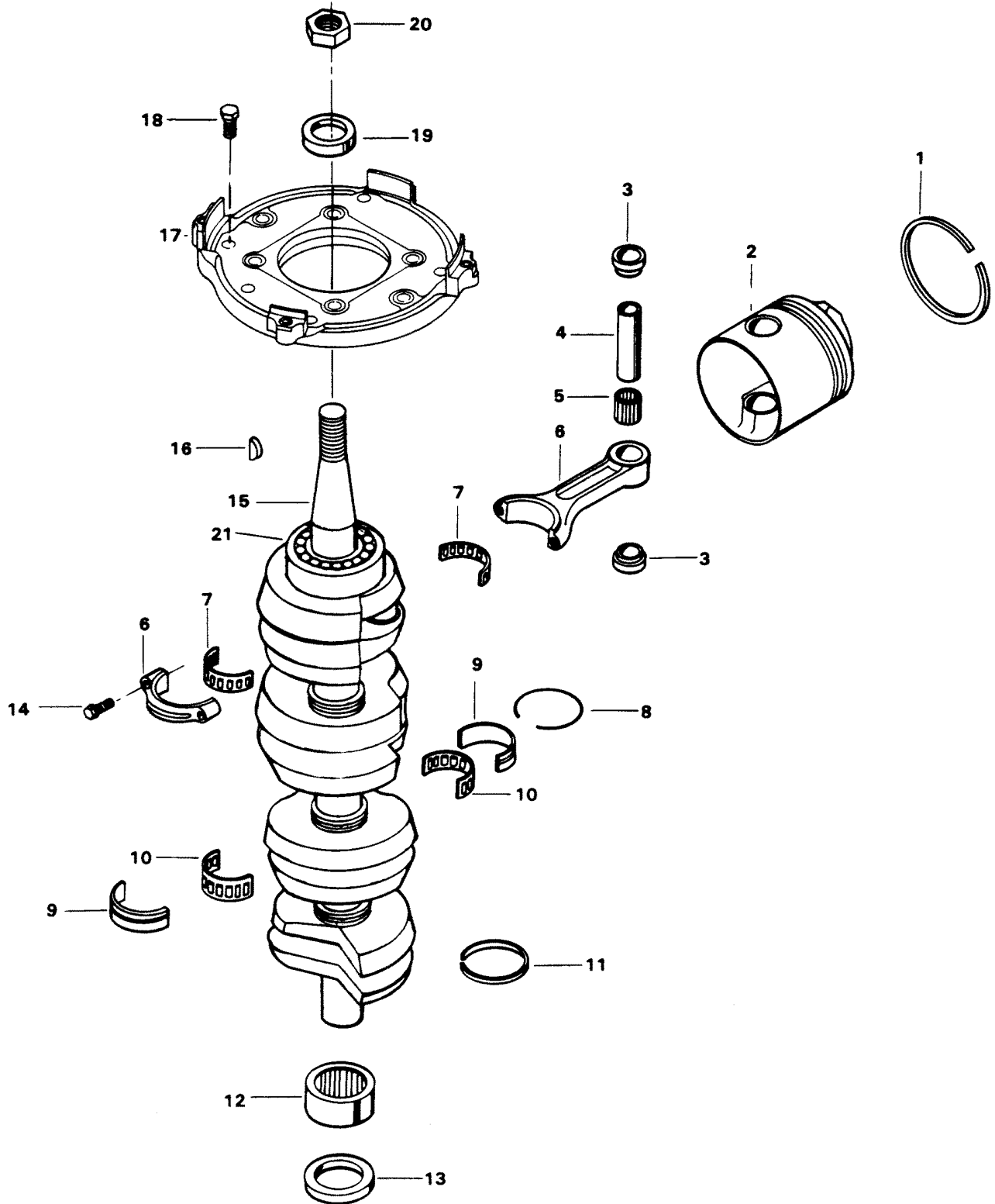
POWER HEAD



POWER HEAD

REF. NO.	PART NO.	SYM.	QTY.	DESCRIPTION
82	F2008		4	HEX CAP SCREW, 1/4 - 20 X 7/8
83	33-818007--1		4	SPARK PLUG (CHAMPION UL18V) - USA
87	F476067		1	GASKET
88	F528068		1	THERMOSTAT
89	F84504		1	GROMMET (THERMOSTAT)
90	F476066-1		1	THERMOSTAT COVER
91	F1504		2	FILL HD. SCREW, 1/4 - 20 X 1-1/4
92	F1107		2	SLOTTED FILL HD. CAP SCREW, 1/4 - 20 X 3/4
93	FC529398		1	DECAL, WIRING
94	F1699		27	HEX BOLT, 1/4 - 20 X 1-1/8
95	F372152-2		1	EXHAUST PORT COVER
96	F372154-1		2	GASKET, EXHAUST PORT PLATE
97	F372151-1		1	EXHAUST PORT PLATE
98	F1950		2	HEX CAP SCREW, 10 - 24 X 5/8
99	F438066		1	BY-PASS VALVE COVER
100	F85762		1	BY-PASS VALVE COVER GASKET
101	F404268		1	BY-PASS VALVE SPRING
102	F85916-1		1	BY-PASS VALVE
103	FG1019		1	GASKET SET - INCLUDES ALL ITEMS MARKED WITH A *
-	F40223		4	TRANSFER PORT COVER GASKET
-	F84472-5		2	CYLINDER DRAIN COVER GASKET
-	F84748-3		2	CYLINDER DRAIN REED PLATE GASKET
-	F85279-2		1	CYLINDER EXHAUST UPPER GASKET
-	F85762		1	BY-PASS COVER GASKET
-	F85906		2	CARBURETOR GASKET
-	F178168-1		2	CARBURETOR ADAPTER GASKET
-	F184122-1		1	SEAL
-	F372154-1		2	EXHAUST PLATE GASKET
-	F406406		2	DEFLECTOR PLATE GASKET
-	F440906		2	CARBURETOR GASKET
-	F476067		1	THERMOSTAT COVER GASKET
-	F476529-1		1	CYLINDER HEAD GASKET
104	F2000		1	HEX CAP SCREW, 5/16 - 18 X 3/4
105	F8096		1	SPRING LOCKWASHER
106	F1532		2	HEX HD. SCREW, 1/4 - 20 X 1
107	F7009		1	LOCK NUT, #10 - 24
108	FA607689		2	BEARING TOWERSHAFT WILLUS. 23
109	F491689-1		1	BEARING TOWERSHAFT UPPER

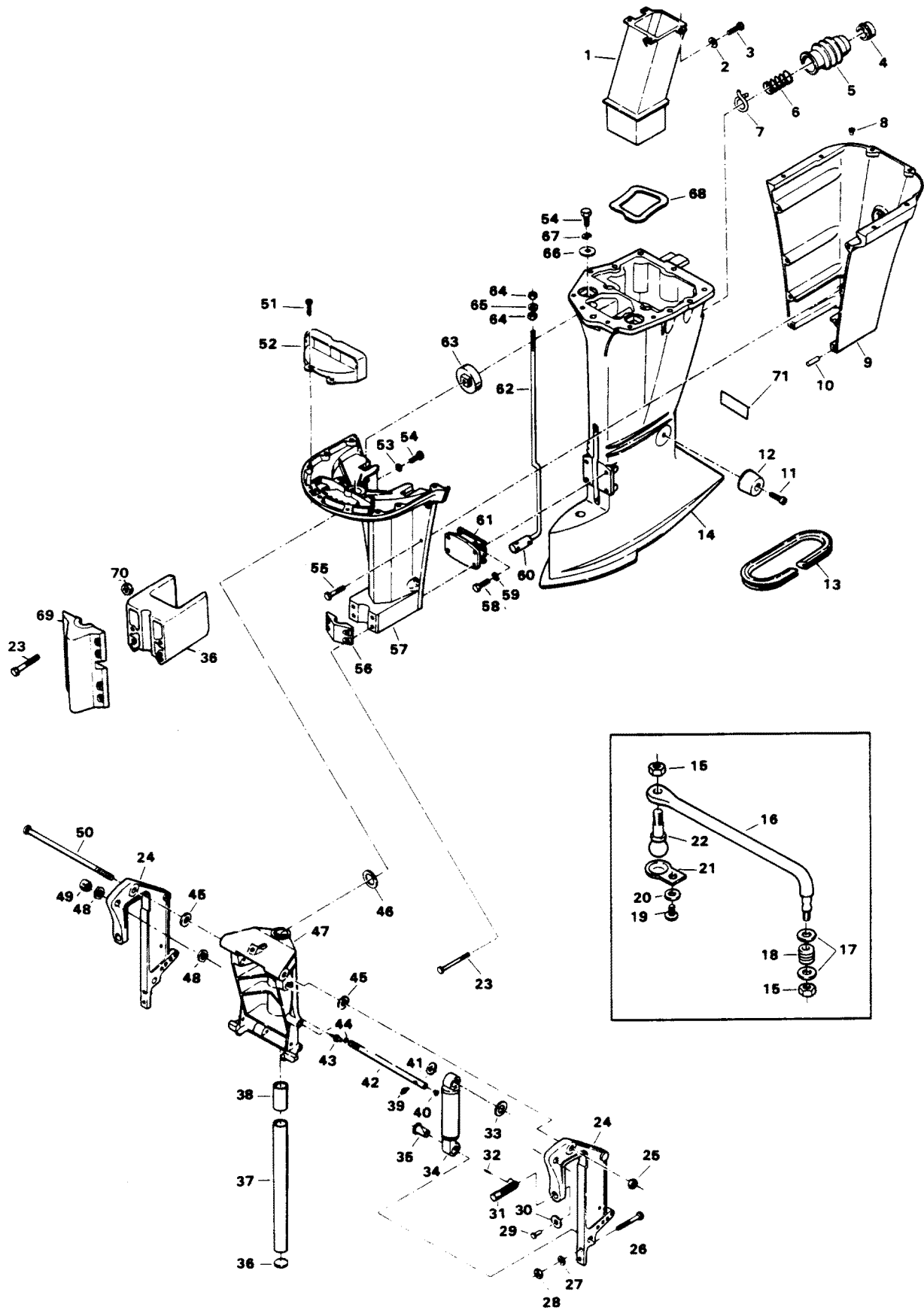
CRANKSHAFT AND PISTON GROUP



CRANKSHAFT AND PISTON GROUP

REF. NO.	PART NO.	SYM.	QTY.	DESCRIPTION
1	FA335260		4	PISTON RING SET (2 PER SET) - STANDARD
-	FSA335260		4	PISTON RING (2 PER SET) .010 OVERSIZE
-	39-818110A1		4	PISTON RING (2 PER SET) .030 OVERSIZE
2	700-F372015-3		4	PISTON - STANDARD
-	700-817988A2		4	PISTON .010 OVERSIZE
-	700-818111A2		4	PISTON .030 OVERSIZE
3	F335215		8	SPACER, PISTON PIN (2 PER PISTON)
4	F85017		4	PISTON PIN
5	F335217-1		4	BEARING, PISTON PIN (26 PER SET)
6	600-818052A4		4	CONNECTING ROD W/CAP AND ILLUS. 14 ORIGINAL FORCE P/N S 366016-4
7	FK85228-1		4	BEARING CAGE W/ROLLER
8	F85410		3	SNAP RING
9	FA85655-1		3	CRANKSHAFT MAIN BEARING RACE W/SNAP RING
10	F85571		3	BEARING CAGE W/ROLLER
11	F316579		3	SEAL, CRANKCASE
12	FA523014		1	CRANKSHAFT LOWER MAIN BEARING W/ILLUS. 13
13	F523146-1		1	SEAL, CRANKSHAFT LOWER
14	F85634-2		8	CONNECTING ROD SCREW
15	FA528018		1	CRANKSHAFT W/ILLUS. 21
16	F85498		1	FLYWHEEL KEY
17	F2A615144		1	CRANKSHAFT BEARING CAGE W/ILLUS. 19
18	F2081		5	HEX SOC. HD. SCREW, 1/4 - 20 X 3/4
19	F523146-1		1	SEAL
20	F1968		1	FLYWHEEL NUT
21	F284659-2		1	BEARING, CRANKSHAFT UPPER MAIN
-	F2067		1	PLASTISOL CAP (NOT SHOWN) FOR EXPOSED THREADS OF CRANKSHAFT

MOTOR LEG

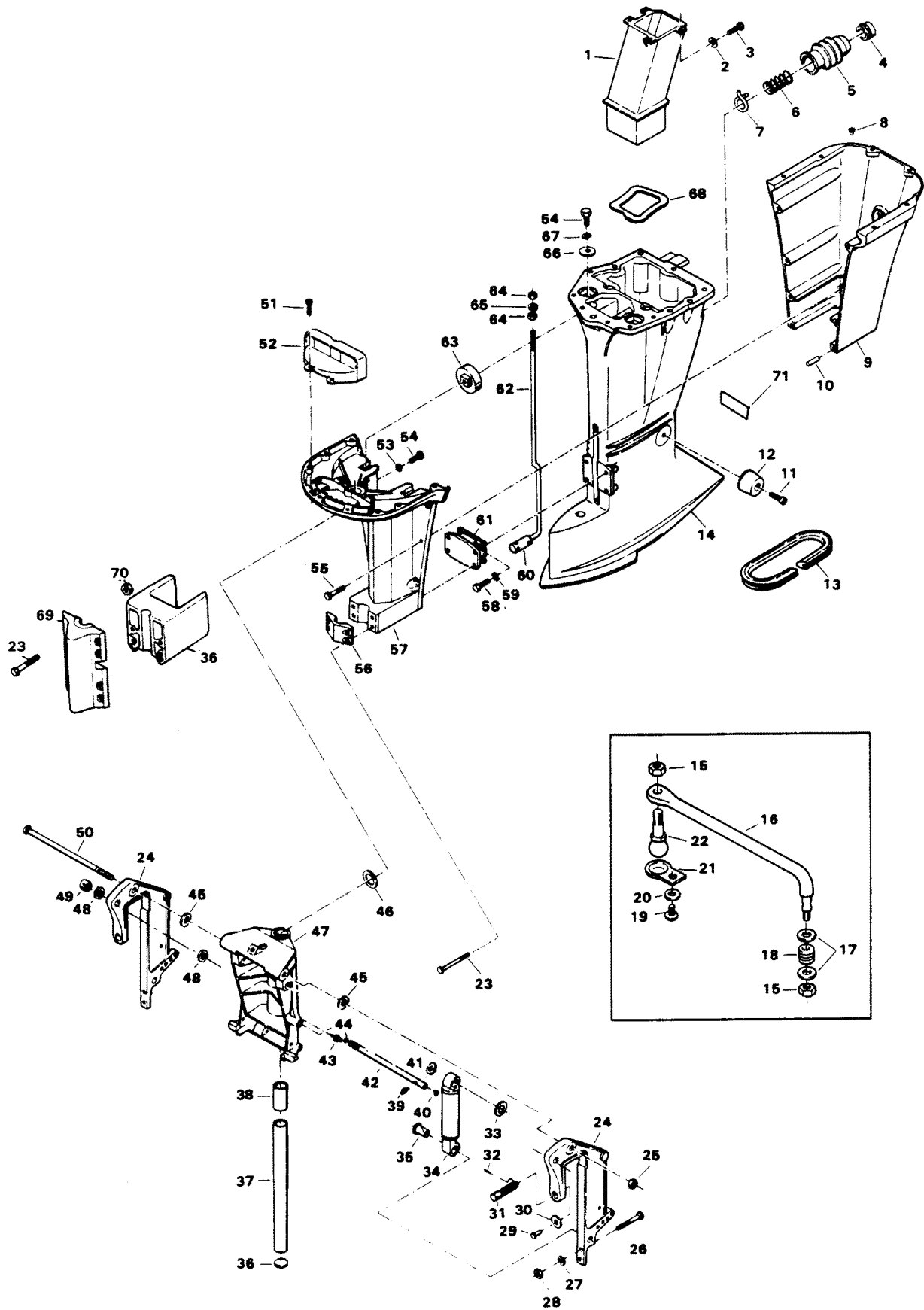


MOTOR LEG

REF. NO.	PART NO.	SYM.	QTY.	DESCRIPTION
1	F85660-1		1	EXHAUST TUBE
2	F8083		4	SPRING LOCKWASHER
3	F1864		4	HEX SLOT HD SCREW, 1/4 - 20 X 3/4
4	F85258		1	INSERT
5	F85130		1	BOOT IDLE EXHAUST
6	F85380		1	SPRING
7	F85772		1	CLAMP
8	F1729		2	PLUG
9	F178145-3		1	MOTOR LEG COVER REAR
10	F1664		2	SPRING PIN
11	F1263		2	HEX SOCKET HD CAP SCREWS, 5/16 - 18 X 9/16
12	F438962		2	SHOCK MOUNT LOWER REAR
13	F178323		1	SEAL, MOTOR LEG
14	F523133-2		1	MOTOR LEG (1258F5A, 1258FC5A, 1258X5A, 1258XC5A)
-	F500133		1	MOTOR LEG (1251F5A, 1251FC5A, 1251X5A, 1251XC5A)
15	F2093		2	STOP NUT, 3/8 - 24
17	F8038		2	PLAIN WASHER
18	F523300-1		1	SPRING
19	F1280		1	PAN HD SCREW, 8 - 32 X 1/4
20	F8080		1	SPRING LOCKWASHER
21	F523930		1	RETAINER
22	F523273		1	STEERING BALL STUD
23	F1696		8	HEX BOLT, 5/16 - 18 X 1-3/4
24	1400-817958A6		2	STERN BRACKET
25	F7012		1	STOP NUT
26	F1593		2	HEX HD SCREW, 3/8 - 16 X 3
27	F1904		2	PLAIN WASHER
28	F1346		2	HEX NUT
29	F353480		2	STUD
30	F84074		2	CLAMP SCREW FOOT
31	F474073-1		2	CLAMP SCREW
32	F8538		2	SPRING PIN
33	F1710		2	PLAIN WASHER
34	FA178962		1	SHOCK ABSORBER W/BUSHING - 178344
35	F178362		2	BEARING
36	F500707		1	COVER SHOCK MT. LOWER (1251F5A, 1251FC5A, 1251X5A, 1251XC5A)
37	FS85019		1	KINGPIN (1258F5A, 1258FC5A, 1258X5A, 1258XC5A)
-	FA500019		1	KINGPIN (1251F5A, 1251FC5A, 1251X5A, 1251XC5A)
38	F438169		2	BEARING
39	F523274		1	GREASE FITTING
40	F9052		1	PLUG
41	F1711		2	SPRING BOWED WASHER

CONTINUED ON NEXT PAGE ➡

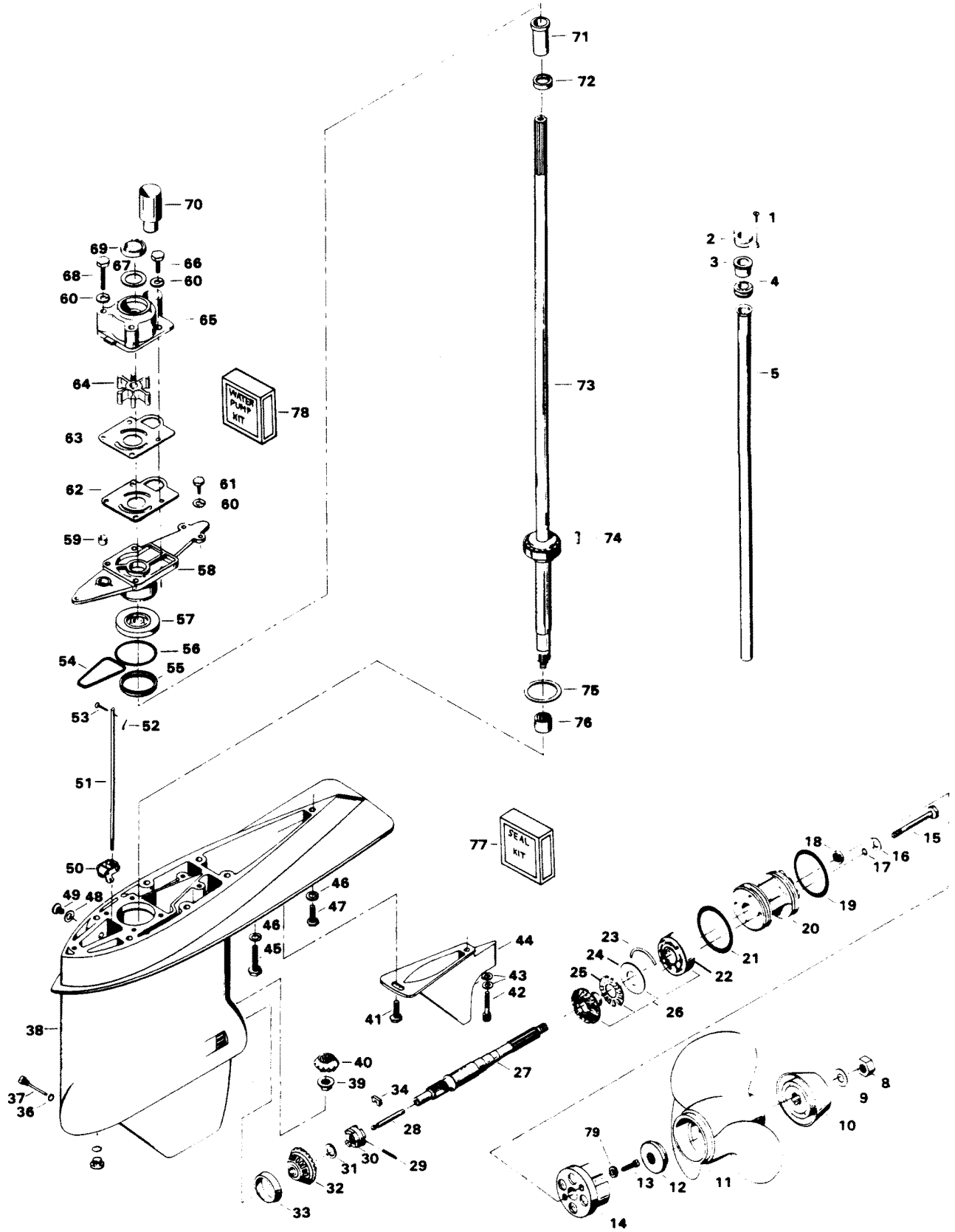
MOTOR LEG



MOTOR LEG

REF. NO.	PART NO.	SYM.	QTY.	DESCRIPTION
42	F511125-2		1	TUBE, STEERING SUPPORT
43	F213274		3	GREASE FITTING
44	F316599		1	SEAL, STEERING SUPPORT TUBE
45	F84286-1		4	FRICITION WASHER
46	F84011		1	WASHER
47	817783A5		1	SWIVEL BRACKET W/ILLUS. 38 AND 43 ORIGINAL FORCE P/N A 369072-2
48	F523280		2	NUT, STEERING SUPPORT TUBE
49	F9018		1	CAP
50	F85037-1		1	STERN BRACKET PIVOT BOLT
51	F1912		4	HEX HD SCREW, 10 - 24 X 1/2
52	F85779-1		1	BAFFLE, AIR INTAKE
53	F1703		2	SPRING LOCKWASHER
54	F1871		4	HEX HD SCREW, 3/8 - 16 X 3/4
55	F2030		6	HEX HD SCREW, 1/4 - 20 X 1-1/4
56	F85606		1	KINGPIN CAP (1258X3A, 1258F5A, 1258FC5A, 1258X5A, 1258XC5A)
57	FA85135-4		1	LEG COVER FRONT W/ILLUS. 55
58	F1822		4	HEX BOLT, 5/16 - 18 X 7/8
59	F8096		4	SPRING LOCKWASHER
60	F85704		1	COUPLER, GEAR SHIFT ROD
61	F438346		1	SHOCK MOUNT LOWER
62	F85615		1	GEAR SHIFT ROD UPPER (1258F5A, 1258FC5A, 1258X5A, 1258XC5A)
-	F500615		1	GEAR SHIFT ROD UPPER (1251F5A, 1251FC5A, 1251X5A, 1251XC5A)
63	F85965		2	SHOCK MOUNT UPPER
64	F2108		2	LOCK NUT
65	F1987		1	PLAIN WASHER
66	FA85355-1		2	WASHER (SET OF 2 SHOCK MOUNT WASHERS W/ILLUS. 67)
67	F2014		2	PLAIN WASHER
68	F439736		1	SEAL, EXHAUST TUBE
69	F500606		1	KINGPIN CAP (1251F5A, 1251FC5A, 1251X5A, 1251XC5A)
70	F1515		4	HEX NUT 5/16 - 18
71	F598387		1	DECAL, POWER FLOW

GEAR HOUSING

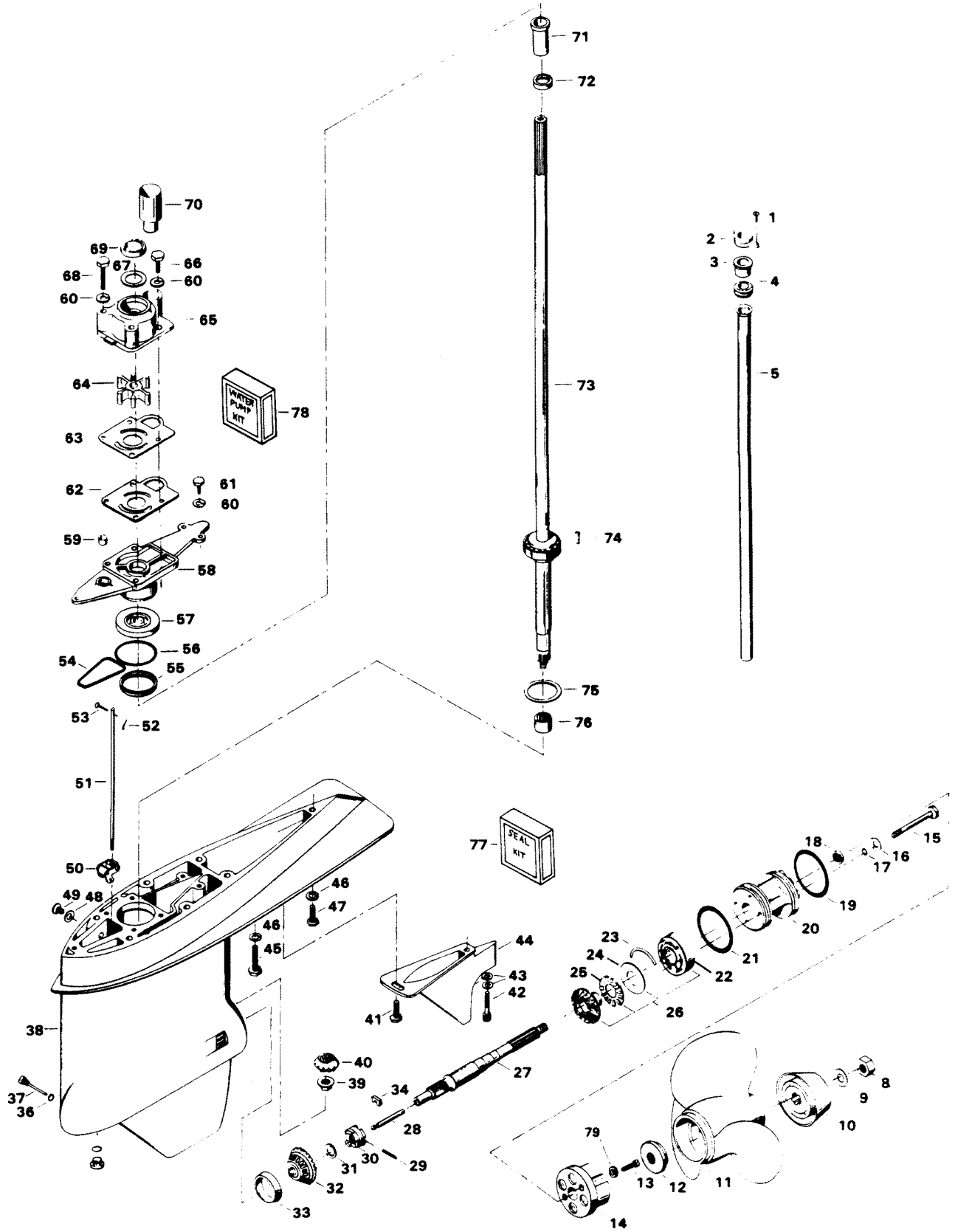


GEAR HOUSING

REF. NO.	PART NO.	SYM.	QTY.	DESCRIPTION
1	F1705		2	HEX CAP SCREW, 1/4 - 20 X 3/4
2	F85117		1	BRACKET, WATER LINE
3	F84342		1	SEAL, INLET WATER LINE, UPPER
4	F523899		1	GROMMET, WATER LINE
5	F523244		1	INLET WATER LINE (1258F5A, 1258FC5A, 1258X5A, 1258XC5A)
-	F500244		1	INLET WATER LINE (1251F5A, 1251FC5A, 1251X5A, 1251XC5A)
8	F1788		1	STOP NUT
9	F1866		1	PLAIN WASHER
10	F5H119		1	WASHER (ACCESSORY ITEM)
11	FPS501		1	PROPELLER (ACCESSORY ITEM) (1251X5A, 1251XC5A)
-	FPS524		1	PROPELLER (ACCESSORY ITEM) (1258X5A, 1258XC5A)
12	F523099-1		1	SPACER, PROPELLER
13	F1112		2	FILL HD SCREW, 1/4 - 20 X 7/8
14	FA523485		1	ANTICORROSION ANODE W/LITERATURE
15	F1885		4	HEX CAP SCREW, 5/16 - 18 X 4-1/4
16	F1907		4	PLAIN WASHER
17	F50342-1		4	SEAL, O-RING
18	F506118		1	SEAL, PROPELLER SHAFT
19	F24278		1	SEAL, O-RING PROPELLER SHAFT SPOOL
20	F2A523239		1	SPOOL PROPELLER SHAFT BEARING W/ILLUS. 18
21	F84305		1	SEAL, O-RING PROPELLER SHAFT SPOOL
22	FA523136		1	CAGE, REAR
23	F523411		2	RETAINING RING, BEARING CAGE
24	F2117		A/R	SPACER BEVEL GEAR REAR
-	F2118		A/R	SPACER BEVEL GEAR REAR
-	F2119		A/R	SPACER BEVEL GEAR REAR
-	F2120		A/R	SPACER BEVEL GEAR REAR
25	F523901		1	BEARING, BEVEL GEAR REAR
26	F2A523662		1	BEVEL GEAR REAR W/BEARING CAGE SPACER AND BEARING
27	44-817962A2		1	PROPELLER SHAFT W/LITERATURE ORIGINAL FORCE P/N K 523098-1
28	F84871-1		1	PIN, GEAR SHIFT W/YOKE
29	F1713		1	SPRING PIN
30	F84521-2		1	CLUTCH
31	F1936		A/R	SPACER, BEVEL GEAR FRONT .059
-	F1937		A/R	SPACER, BEVEL GEAR FRONT .062
-	F1938		A/R	SPACER, BEVEL GEAR FRONT .065
-	F1939		A/R	SPACER, BEVEL GEAR FRONT .068
-	F1940		A/R	SPACER, BEVEL GEAR FRONT .071
-	F1941		A/R	SPACER, BEVEL GEAR FRONT .074
-	F1942		A/R	SPACER, BEVEL GEAR FRONT .077
-	F2113		A/R	SPACER, BEVEL GEAR FRONT .080

CONTINUED ON NEXT PAGE ➡

GEAR HOUSING

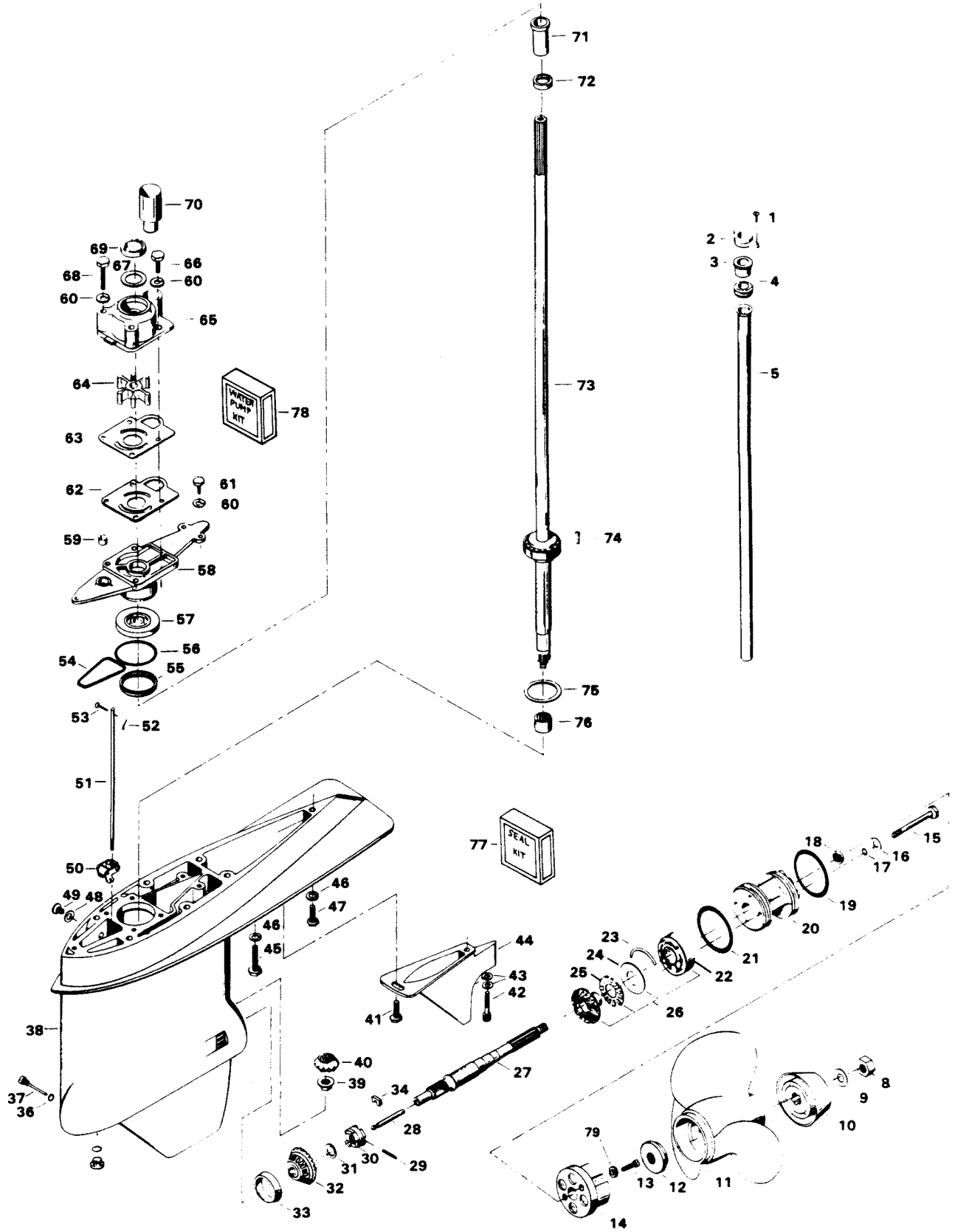


GEAR HOUSING

REF. NO.	PART NO.	SYM.	QTY.	DESCRIPTION
-	F2114		A/R	SPACER, BEVEL GEAR FRONT .083
-	F2115		A/R	SPACER, BEVEL GEAR FRONT .086
-	F2116		A/R	SPACER, BEVEL GEAR FRONT .089
-	F2121		A/R	SPACER, BEVEL GEAR FRONT .057
-	F2122		A/R	SPACER, BEVEL GEAR FRONT .054
32	43-818068A2		1	BEVEL GEAR FRONT W/BEARING AND SHIMS
33	F523813		1	BEARING CUP
34	F90619-1		1	YOKE
36	F498618		1	O-RING
37	F498891		1	PIN, GEAR SHIFT ARM
38	FA523054		1	GEAR HOUSING WILLUS. 33, 48 AND 49
39	F523188		1	NUT, BEVEL PINION
40	43-817854A2		1	BEVEL PINION GEAR WILLUS. 55, 75 AND LITERATURE ORIGINAL FORCE P/N A 523266-2
41	F438930		1	RETAINER, SNOUT
42	F1994		1	HEX SOCKET HD CAP SCREW, 5/16 - 18 X 1
43	F1856		2	PLAIN WASHER
44	F523116-1		1	EXHAUST SNOUT
45	F1491		6	HEX HD SCREW, 5/16 - 18 X 3/4
46	F8096		7	SPRING LOCKWASHER
47	F1858		1	HEX CAP SCREW, 5/16 - 18 X 1
48	F8077		3	WASHER GEAR HOUSING PLUG
49	F50109		3	PLUG, GEAR HOUSING
50	FA84621-1		1	COUPLING, GEAR SHIFT ARM W/BUSHING
51	F523705		1	GEAR SHIFT ROD LOWER
52	F1015		1	COTTER PIN
53	F85372		1	PIN, GEAR SHIFT ROD LOWER
54	F523555		1	SEAL, O-RING, GEAR HOUSING COVER
55	F523961		1	CRUSH RING
56	F74305		1	SEAL, DRIVESHAFT BEARING CAGE
57	F506118		1	SEAL, DRIVESHAFT
58	F2A550706		1	GEAR HOUSING COVER WILLUS. 58
59	F338618-1		1	SEAL, GEAR SHIFT ROD
60	F8083		7	SPRING LOCKWASHER
61	F2008		3	HEX CAP SCREW, 1/4 - 20 X 7/8
62	F523031		1	GASKET, WATER PUMP
63	F523562		1	PLATE, WATER PUMP
64	F523065-1		1	IMPELLER, WATER PUMP
65	46-817853A1		1	WATER PUMP BODY WILLUS. 67, 69 AND 70 ORIGINAL FORCE P/N A 523060-1
66	F1990		2	HEX CAP SCREW, 1/4 - 20 X 1-5/8
67	F480388		1	DISC, WATER PUMP LOCATING
68	F1425		2	HEX CAP SCREW, 1/4 - 20 X 2-5/8
69	F351307		1	SEAL, DRIVESHAFT - WATER PUMP

CONTINUED ON NEXT PAGE ➡

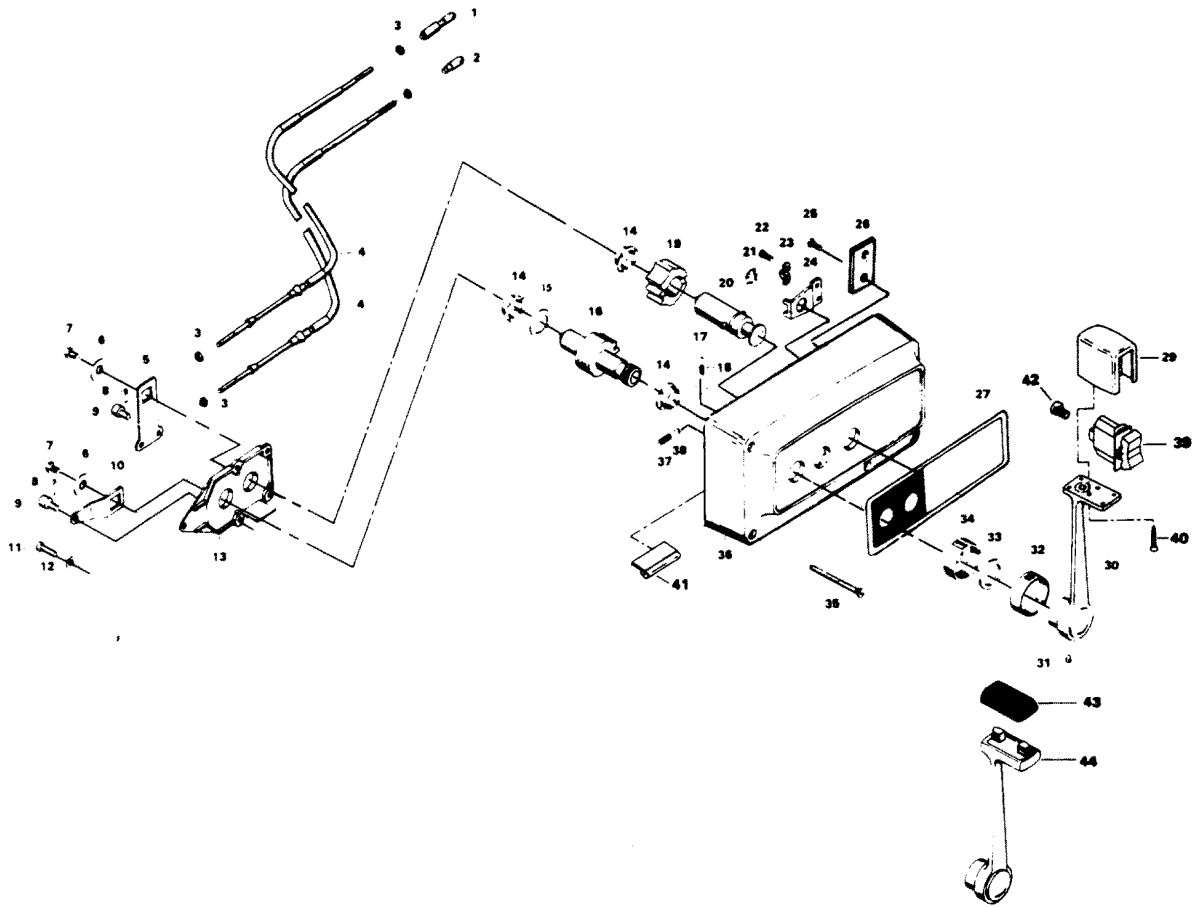
GEAR HOUSING



GEAR HOUSING

REF. NO.	PART NO.	SYM.	QTY.	DESCRIPTION
70	FA523735		1	SEAL, INLET WATER LINE, LOWER W/LITERATURE
71	F438129		1	SEAL, DRIVESHAFT SPLINE
72	F438271		1	RETAINER, CRANKSHAFT SPLINE SEAL
73	45-817967A6		1	DRIVESHAFT W/BEARING ILLUS. 75, 55 AND LITERATURE (1258F5A, 1258FC5A, 1258X5A, 1258XC5A) ORIGINAL FORCE P/N K 616128-1
-	45-817961A6		1	DRIVESHAFT W/BEARING ILLUS. 75 AND 55 (1251F5A, 1251FC5A, 1251X5A, 1251XC5A) ORIGINAL FORCE P/N K 500128-2
74	F523498		1	DRIVE KEY, WATER PUMP
75	F9106		A/R	SHIM, DRIVESHAFT BEARING, UPPER .003 BRASS
-	F9095		A/R	SHIM, DRIVESHAFT BEARING, UPPER .005 SILVER
-	F9097		A/R	SHIM, DRIVESHAFT BEARING, UPPER .010 BLACK
76	F523057		1	BEARING, DRIVESHAFT LOWER
77	FK1063-2		1	SEAL KIT (INCLUDES ITEMS MARKED WITH A *)
-	F50342-1		4	*SEAL, BEARING CAGE BOLT
-	F506118		1	*SEAL, PROPELLER SHAFT
-	F24278		1	*SEAL, PROPELLER SHAFT SPOOL
-	F84305		1	*SEAL, PROPELLER SHAFT SPOOL
-	F498618		1	*SEAL, GEARSHIFT ARM PIN
-	F8077		3	*WASHER
-	F523555		1	*SEAL, GEAR HOUSING COVER
-	F74305		1	*SEAL, GEAR HOUSING COVER
-	F84307-1		1	*SEAL, DRIVESHAFT
-	F338618-1		1	*SEAL, GEAR SHIFT ROD
78	FK1069		1	WATER PUMP KIT (INCLUDES ITEMS MARKED WITH **)
-	F1425		2	**HEX CAP SC, 1/4 - 20 X 5/8
-	F1990		2	**HEX CAP SCREW
-	F8083		4	**SPRING LOCKWASHER
-	F523031		1	**GASKET, WATER PUMP
-	F523065-1		1	**IMPELLER
-	F523498		1	**KEY
-	F523562		1	**PLATE, WATER PUMP
-	46-817853A1		1	**WATER PUMP
-	FC631054		0	GEAR HOUSING COMPLETE. INCLUDES ALL ITEMS MARKED WITH AN ASTERISK (*) FOR MODELS (1258F5A, 1258FC5A, 1258X5A, 1258XC5A)
-	FC552054		0	GEAR HOUSING COMPLETE. INCLUDES ALL ITEMS MARKED WITH AN ASTERISK (*) FOR MODELS (1251F5A, 1251FC5A, 1251X5A, 1251XC5A)
79	F8083		2	LOCKWASHER

REMOTE CONTROL

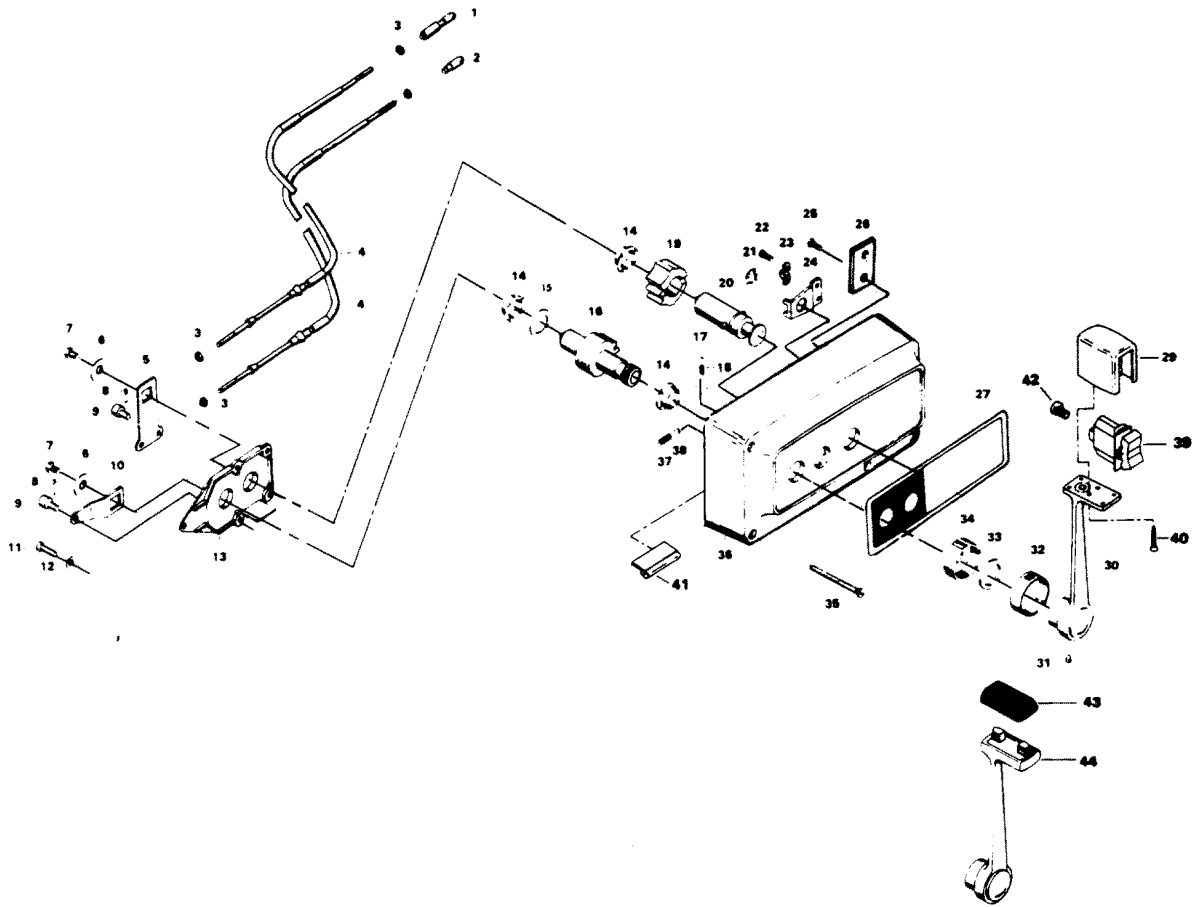


REMOTE CONTROL

REF. NO.	PART NO.	SYM.	QTY.	DESCRIPTION
1	FA58976-1		1	CONNECTOR, THROTTLE CABLE
2	F58685-2		1	CONNECTOR, SHIFT CABLE
3	F1513		4	HEX NUT
4	F195/___		1	REMOTE CONTROL CABLE (SPECIFY LENGTH) ACCESSORY ITEM (2 PER SET)
5	F17019		1	CLUTCH ARM
6	F17036		2	INTERNAL TOOTH LOCKWASHER
7	F17155		2	HEX BOLT, 1/4 - 28 X 1/2
8	F17149		2	COTTER PIN
9	F17016		2	CABLE TERMINAL
10	F17014		1	THROTTLE ARM
11	F17013		2	FILL HD SCREW, 1/4 - 20 X 1/2
12	F8061		2	INTERNAL TOOTH LOCKWASHER
13	F17012		1	RETAINING PLATE
14	F17009		3	BEARING
15	F17011		1	BOWED WASHER
16	F17010-1		1	THROTTLE GEAR
17	F17111		1	DETENT BALL
18	F17006		1	DETENT SPRING
19	F17021		1	CLUTCH GEAR
20	F17100		1	CLUTCH SHAFT
21	F17092		1	SNAP RING
22	F17071		2	FILL HD SCREW, 10 - 24 X 5/16
23	F154317		1	CABLE CLAMP
24	F17026		1	SWIVEL
25	F17141		2	ROUND HD SCREW, 10 - 24 X 3/8
26	F17153		1	RETAINER PLATE
27	F580892-2		1	DECAL,
29	F448543		1	KNOB
30	F448611-1		1	LEVER
31	F455690		1	SET SCREW
32	F449894		1	INDICATOR
33	F17105		1	FELT WASHER
34	F17106		1	COLLAR
35	F17154		3	WOOD SCREW
36	F17099-1		1	HOUSING
37	F17157		1	DETENT SPRING
38	F17082-1		1	DETENT BALL
39	F455449		1	SWITCH, TRIM
40	F1461		2	SCREW #6 X 7/8
41	F448446		1	CLAMP, TRIM SWITCH CABLE

CONTINUED ON NEXT PAGE ➡

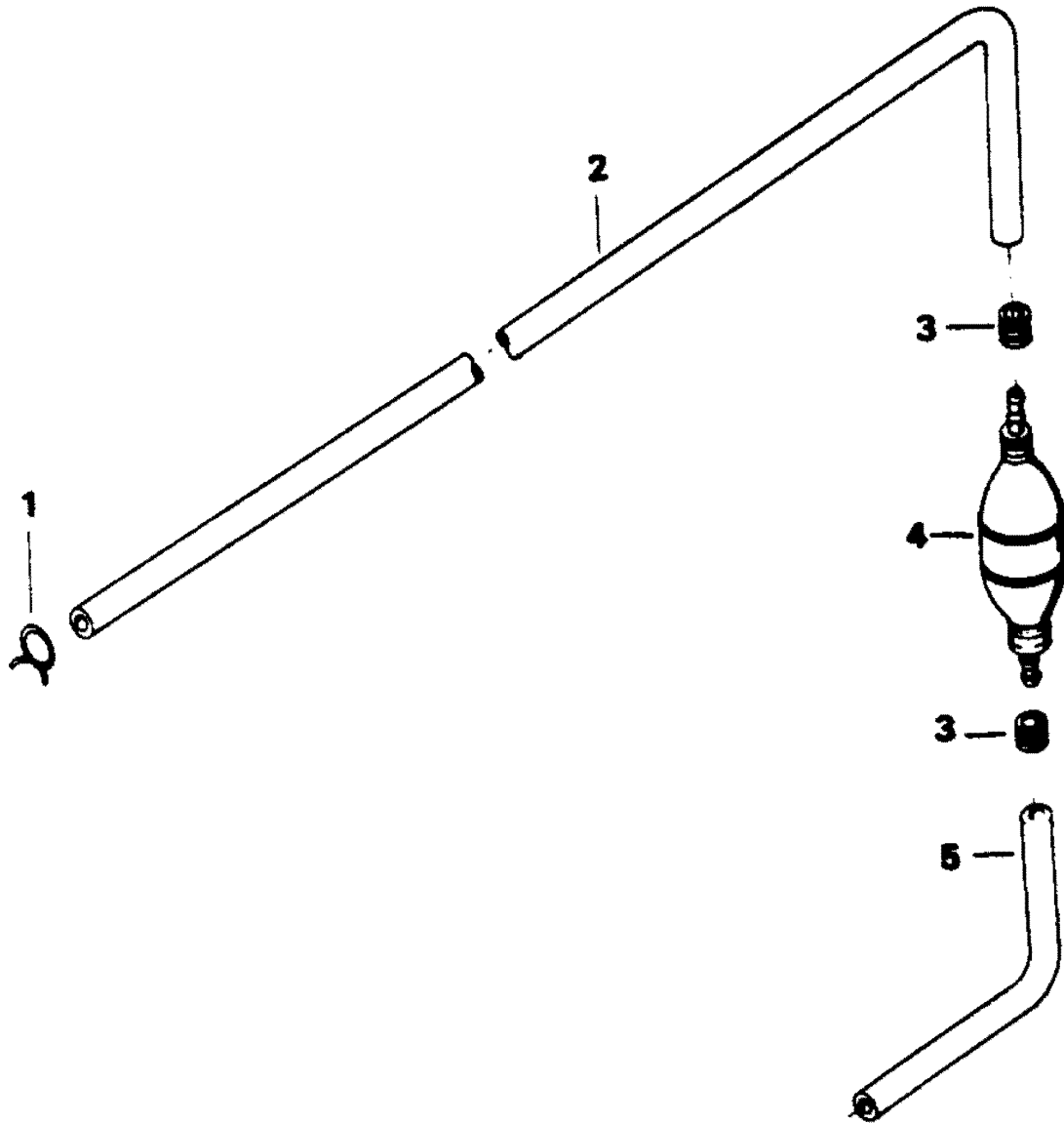
REMOTE CONTROL



REMOTE CONTROL

REF. NO.	PART NO.	SYM.	QTY.	DESCRIPTION
-	F1280		2	PAN HD SCREW, 8 - 32 X 1/4 (TERMINAL BOARD) (NOT SHOWN)
-	FK17156		1	BAG ASSEMBLY (NOT SHOWN). INCLUDES ITEMS MARKED WITH AN ASTERISK (*)
42	F1280		3	PAN HD SCREW, 8 - 32 X 1/4
43	F17116		1	KNOB
44	F17115-1		1	HANDLE

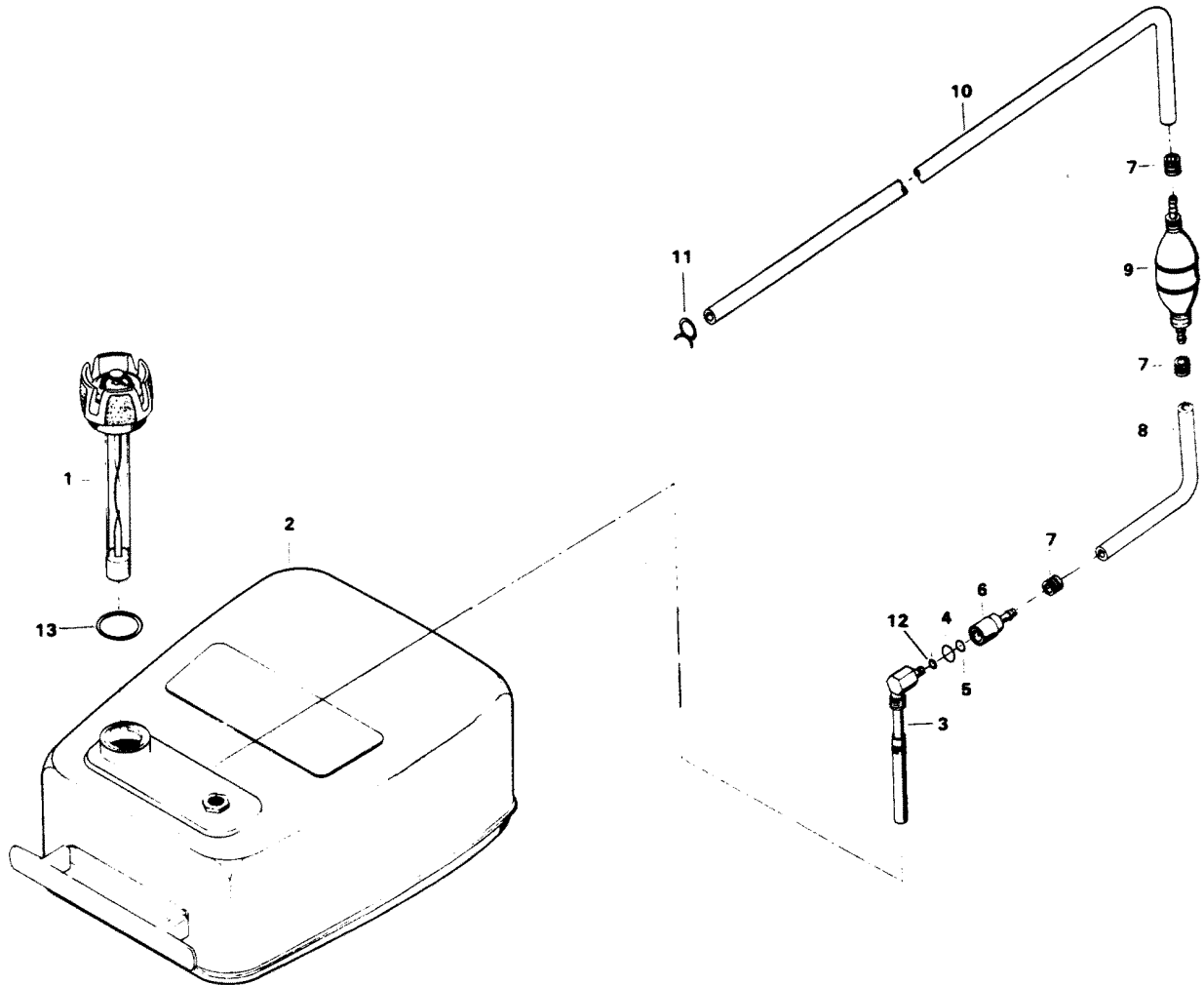
FUEL LINE



FUEL LINE

REF. NO.	PART NO.	SYM.	QTY.	DESCRIPTION
1	F97772		1	FUEL LINE CLAMP
2	32-817738A1		1	FUEL LINE W/ILLUS. 7 (QTY. 1) AND 11 10 FT. (CUT AS REQUIRED) ORIGINAL FORCE P/N A 197752-1
3	F298788		2	FERRULE
4	89396A38		1	PRIME BULB
5	FA84754-1		1	FUEL LINE SHORT W/FERRULES
-	FA599752		1	FUEL LINE COMPLETE. INCLUDES ALL ITEMS MARKED WITH AN ASTERISK (*) 10 FOOT LONG

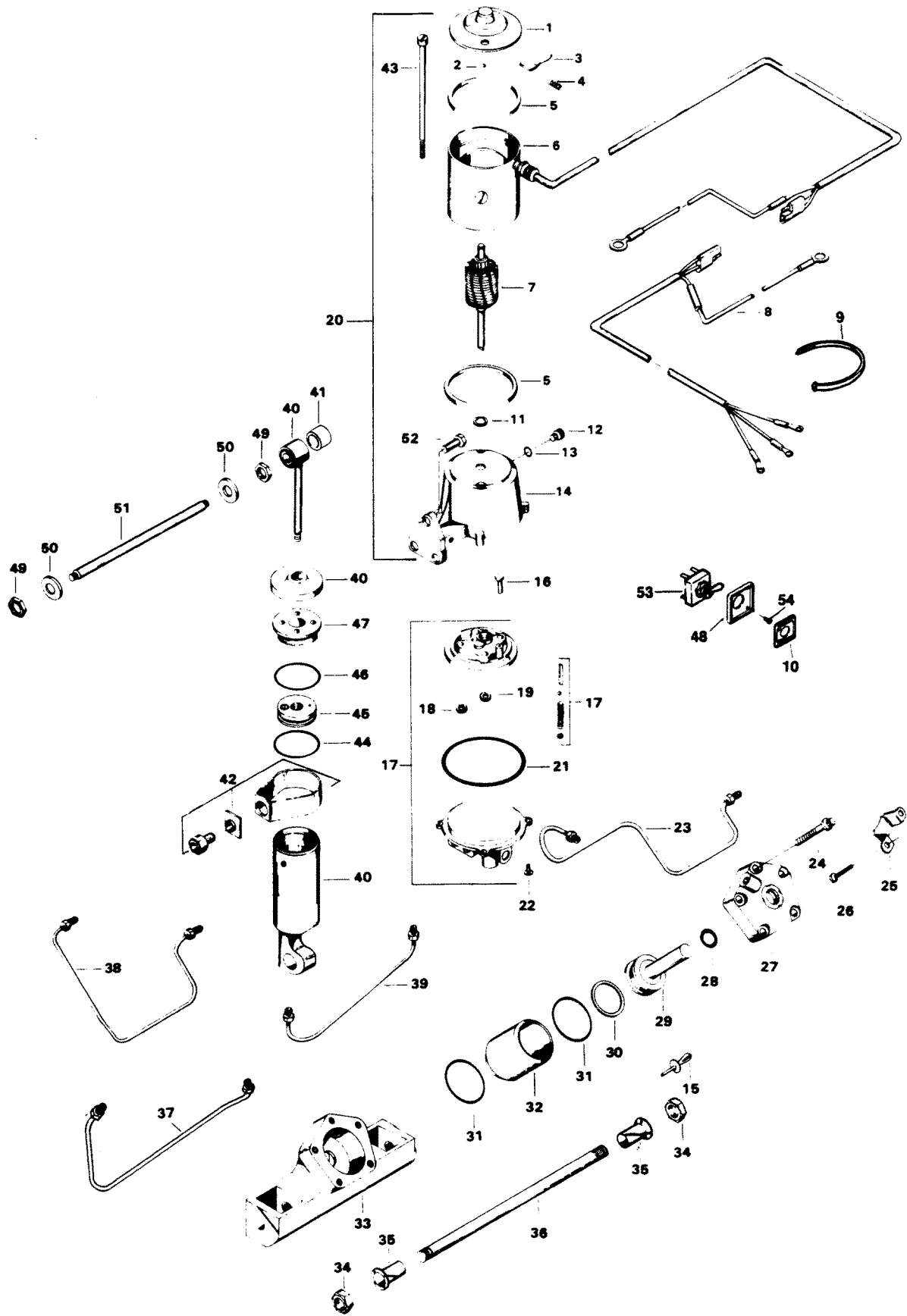
FUEL TANK AND LINE



FUEL TANK AND LINE

REF. NO.	PART NO.	SYM.	QTY.	DESCRIPTION
1	F409251-1		1	GAUGE CAP
2	F5H026-1		1	FUEL TANK (ACCESSORY ITEM) W/ILLUS. 1 AND 3
3	F485755-1		1	FUEL TANK ADAPTER
4	F17816		1	SEAL, FUEL LINE COUPLER (LARGE)
5	F17815		1	SEAL, FUEL LINE COUPLER (SMALL)
6	F197787-3		1	FUEL LINE COUPLER
7	F298788		3	FERRULE
8	FA84754-1		1	FUEL LINE SHORT W/FERRULES
9	89396A38		1	PRIME BULB
10	32-817738A1		1	FUEL LINE LONG W/ILLUS. 7 AND 11 ORIGINAL FORCE P/N A 197752-1
11	F97772		1	FUEL LINE CLAMP
12	F17817		1	SEAL, FUEL TANK ADAPTER
-	FS409752		1	FUEL LINE COMPLETE. INCLUDES ALL ITEMS MARKED WITH AN ASTERISK (*) 10 FOOT LONG
13	F17818		1	GASKET

POWER TRIM UNIT

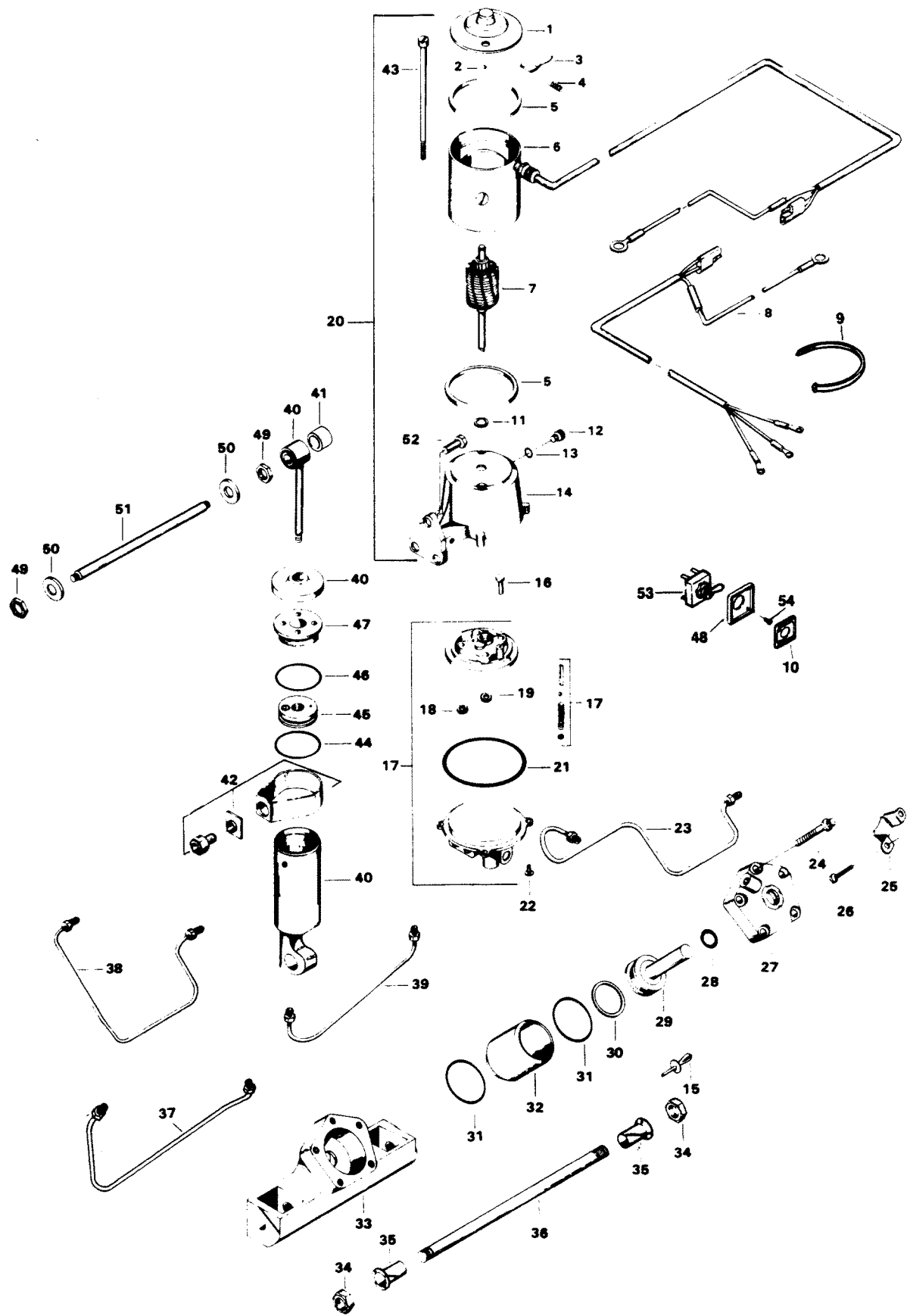


POWER TRIM UNIT

REF. NO.	PART NO.	SYM.	QTY.	DESCRIPTION
1	F17543		1	HEAD ASSEMBLY, COMMUTATOR END
2	F17539		1	BALL
3	F17504		1	BRUSH SET
4	F17500		1	SPRING SET
5	F17557		2	GASKET
6	F17556		1	FIELD AND FRAME ASSEMBLY
7	F17555		1	ARMATURE
8	F449843		1	CABLE
9	F1877		4	TY-RAP
10	F449181		1	PLATE, TRIM SWITCH
11	F17508		A/R	THRUST WASHER
12	F17518		1	FILLER CAP
13	F17510		1	O-RING
14	F17505		1	RESERVOIR AND BRACKET W/SEAL
15	F1966		1	PLUG, SWIVEL BRACKET
16	F1203		1	HEX CAP SCREW, 1/4 -20 X 7/8
17	F17564		1	VALVE BODY AND PUMP W/ILLUS. 16, 18, 19 AND 21
18	F17566		1	IDLE GEAR
19	F17565		1	DRIVE GEAR
20	F17563		1	MOTOR AND RESERVOIR
21	F17522		1	O-RING
22	F1310		4	ROUND HD SCREW, 10 - 24 X 5/8
23	F449254		1	HYDRAULIC LINE, TRIM CYLINDER, UPPER
24	F1959		5	SCREW, 1/4 - 20 X 1-3/4, STAINLESS STEEL
25	F449354		1	THRUST BRACKET
26	F1734		2	SCREW AND LOCKWASHER, 1/4 - 20 X 1/2
27	FA449149		1	COVER W/SEALS AND RETAINER
28	F449342		1	SEAL, PISTON SHAFT
29	FA449015		1	PISTON
30	F449278		1	PISTON SEAL
31	F40278		2	SEAL, CYLINDER
32	F449010		1	CYLINDER
33	F449545-2		1	CYLINDER HOUSING
34	F1963		2	NUT, 5/8 - 18
35	F178362		2	BEARING
36	F449632		1	SHAFT
37	F449253-1		1	HYDRAULIC LINE, TRIM CYLINDER, LOWER
38	F449758		1	HYDRAULIC LINE, LIFT CYLINDER, UPPER
39	F449754-1		1	HYDRAULIC LINE, LIFT CYLINDER LOWER
40	FA17559		1	LIFT CYLINDER COMPLETE W/ILLUS. 41
41	F178344		1	BUSHING, SHOCK ABSORBER - UPPER
42	F17577		1	ADAPTER FITTING PACKAGE
43	F17558		1	THRU-BOLT PACKAGE

CONTINUED ON NEXT PAGE ➡

POWER TRIM UNIT



POWER TRIM UNIT

REF. NO.	PART NO.	SYM.	QTY.	DESCRIPTION
44	FA17561-1		1	O-RING W/LITERATURE
45	F17562-1		1	PISTON ASSEMBLY
46	F17528		1	O-RING
47	F17560		1	HEAD ASSEMBLY
48	F413420		1	RETAINER, SWITCH PLATE
49	F1931		2	NUT, 1/2 - 20, STAINLESS STEEL
50	F1960		2	PLAIN WASHER
51	F449889		1	SHAFT, UPPER
52	F1822		3	SCREW, 5/16 - 18 X 7/8, STAINLESS STEEL
53	F299449-4		1	TOGGLE SWITCH
54	F1934		4	FLAT HD THREAD FORMING SCREW 6 X 1/2

SPECIAL TOOLS - TUNE-UP

REF. NO.	PART NO.	SYM.	QTY.	DESCRIPTION
-	FT8948-1		0	PULLER TO REMOVE FLYWHEEL.
-	FTA2937-1		0	TIMING TOOL TO ADJUST TIMING POINTER.
-	FT8978		0	POWER TIMING LIGHT FOR ADJUSTMENT OF ENGINE TIMING.
-	FT2951		0	CIRCUIT TRACER TO TROUBLESHOOT ELECTRICAL SYSTEM.
-	FT2938-1		0	BATTERY POWERED TEST LIGHT TO CHECK FOR CONTINUITY.

SPECIAL TOOLS - POWER HEAD

REF. NO.	PART NO.	SYM.	QTY.	DESCRIPTION
-	FT8914		0	SEAL REMOVER TO REMOVE UPPER CRANKSHAFT BEARING CAGE SEAL.
-	FT8927		0	SEAL PROTECTOR TO INSTALL UPPER CRANKSHAFT BEARING CAGE.
-	FT8907		0	DRIVE HANDLE USED WITH T 8903.
-	FT8925		0	SEAL INSTALLER TO INSTALL LOWER CRANKSHAFT SEAL.
-	FT2953		0	SOCKET TO TORQUE CONNECTING ROD SCREWS.
-	FT2990		0	PISTON PIN TOOL TO REMOVE AND INSTALL PISTON PINS.
-	FTA8994		0	PISTON PIN TOOL USE WITH T 2990.
-	FT2996		0	RING COMPRESSOR TO INSTALL PISTON IN CYLINDER.
-	FT8926		0	RING EXPANDER TO INSTALL PISTON RINGS.
-	FT8903		0	SEAL INSTALLER TO INSTALL UPPER CRANKSHAFT BEARING CAGE SEAL.
-	FT1082		0	SNAP RING PLIER TO REMOVE AND INSTALL DISTRIBUTOR RETAINING RING.
-	FT8933		0	LIFTING HOOK TO LIFT ENGINE.
-	FT2998		0	TORQUE WRENCH TO PROPERLY TIGHTEN FASTENERS.
-	FT2999		0	TORQUE WRENCH TO PROPERLY TIGHTEN FASTENERS.
-	FT2991		0	CARBON BRUSH TO REMOVE CARBON FROM INSIDE ENGINE.
-	FT8900		0	HOSE CLAMP PLIERS TO REMOVE AND INSTALL FUEL HOSE CLAMPS.

SPECIAL TOOLS - GEAR HOUSING

REF. NO.	PART NO.	SYM.	QTY.	DESCRIPTION
-	FT8948-1		0	PULLER TO REMOVE SPOOL FROM GEAR HOUSING.
-	FT8985		0	SEAL INSTALLER TO INSTALL PROPELLER SHAFT SEAL IN PROPELLER SHAFT BEARING SPOOL.
-	FT8925		0	SEAL INSTALLER TO INSTALL DRIVESHAFT SEAL IN GEAR HOUSING COVER.
-	FT8907		0	DRIVER HANDLE TO INSTALL BEARING CUPS AND SEALS.
-	FT8901		0	INDICATOR HOLDER USED IN CONJUNCTION WITH T 8997.
-	FT8902		0	DIAL INDICATOR USED IN CONJUNCTION WITH T 8997.
-	FT8919		0	SPRING PIN PUNCH TO REMOVE CLUTCH SPRING PIN.
-	FT8957		0	SEAL INSTALLER TO INSTALL SHIFT ROD SEAL.
-	FT8997		0	SHIMMING TOOL TO SHIM LOWER UNIT.
-	FT8918		0	BEARING GUIDE SET TO REMOVE FORWARD BEARING CUP IN GEAR HOUSING.
-	FT11209		0	BEARING GUIDE SET USE WITH T 8918.
-	FT11207		0	BEARING CUP REMOVER TO REMOVE FORWARD BEARING CUP IN GEAR HOUSING.
-	FT11204		0	BEARING CUP INSTALLER TO INSTALL FORWARD BEARING CUP IN GEAR HOUSING.
-	FT3012		0	SEAL INSTALLER TO INSTALL WATER PUMP SEAL.
-	FT11205		0	BEARING INSTALLER/REMOVER TO INSTALL AND REMOVE LOWER DRIVESHAFT BEARING IN GEAR HOUSING.
-	FT7848		0	TORQUING ADAPTER HOLD DRIVESHAFT WHILE INSTALLING OR REMOVING PINION NUT.

SPECIAL TOOLS - TEST EQUIPMENT

REF. NO.	PART NO.	SYM.	QTY.	DESCRIPTION
-	FT8950		0	LEAKAGE TESTER TO TEST LOWER UNIT SEALS FOR LEAKAGE.
-	FTK8999		0	TEST WHEEL TO TEST MOTOR IN TEST TANK. ORIGINAL FORCE P/N TA 8999
-	FT8953		0	IGNITION TESTER TO TEST OUTPUT OF C-D UNIT.

SPECIAL TOOLS - LUBRICANTS AND SEALANTS

REF. NO.	PART NO.	SYM.	QTY.	DESCRIPTION
-	FT2961		0	LUBRICANT - RYKON GREASE #2EP
-	FT2987-1		0	LUBRICANT - ANTI-SEIZE
-	FT8969		0	LUBRICANT - 7 OZ. LPSI LUBRICANT
-	FT8955		0	SEALANT - 5 OZ. EC-750 INDUSTRIAL SEALANT
-	FT8983		0	SEALANT - 3 OZ. RTV SEALANT FROM IN PLACE GASKETS
-	FT8936-1		0	SEALANT - 2 CC LOCTITE RETAINING COMPOUND #75
-	FT2962-2		0	SEALANT - 50 CC LOCTITE H, NON-HARDENING GRADE
-	FT2963-2		0	SEALANT - 2 OZ. LOCTITE D, HARDENING GRADE
-	FT8935		0	SEALANT PRIMER - 6 OZ.

ACCESSORIES

REF. NO.	PART NO.	SYM.	QTY.	DESCRIPTION
-	F5H173		0	FLUSHING ADAPTER PERMITS FRESH WATER FLUSHING OF WATER PASSAGES WITH STANDARD GARDEN HOSE.
-	F5H130-1		0	REMOTE CONTROL BOX (SINGLE LEVER) (SURFACE MOUNT) PERMITS REMOTE CONTROL OF THROTTLE AND GEAR SHIFT FROM STARBOARD SIDE OF BOAT.
-	F5H120		0	REMOTE CONTROL BACK PLATE PROTECTS CONTROL MECHANISM FROM PADDED BOAT SURFACES.
-	F590		0	REMOTE CONTROL HEAD (SINGLE LEVER) FLUSH MOUNT CONTROL UNIT PERMITS REMOTE CONTROL OF THROTTLE AND GEAR SHIFT. MAY BE MOUNTED ON PORT OR STARBOARD SIDE OF BOAT.
-	F5H079		0	REMOTE CONTROL BOX FOR MOUNTING ON CONSOLE OF BOAT.
-	F5H080		0	TWIN REMOTE CONTROL BOX FOR MOUNTING ON CONSOLE OF BOAT.
-	F195/___		0	REMOTE CONTROL CABLES CONNECTS REMOTE CONTROL BOX TO THROTTLE AND GEAR SHIFT ON ENGINE. AVAILABLE IN 6 THROUGH 40 FOOT LENGTHS.
-	F5H108		0	STEERING CONNECTOR CLEVIS TYPE FOR BOAT MOUNTED STEERING AND NON THREADED CABLE END.
-	F5H018		0	DUAL ENGINE TIE BAR PERMITS DUAL ENGINE INSTALLATIONS.
-	F5H094		0	STEERING LINK CONNECTS ENGINE TO REMOTE STEERING CABLE.
-	F5H026-1		0	STEEL, 6 GALLON FUEL TANK (LOW PROFILE) AUXILIARY TANK.
-	F5H029		0	TANK ANCHOR SECURES 5H026-1 TO BOAT.
-	F5H040		0	STEEL, 12 GALLON FUEL TANK AUXILIARY TANK.
-	F5H019		0	ANTI-CORROSION KIT ELECTRICAL KIT FOR MOUNTING ON BOAT (12V) TO REDUCE CORROSION.
-	F5H025		0	ANTI-CORROSION SACRIFICIAL ANODE KIT USED TO REDUCE CORROSION.
-	F5H043		0	OVERHEAT BUZZER SOUNDS WARNING BUZZER IF ENGINE OVERHEATS.
-	F5H161		0	POWER TRIM INDICATOR INDICATES ENGINE TRIM ANGLE (FLUSH MOUNT).
-	F5H081		0	BATTERY CABLE LONGER LENGTH - 15 FEET.
-	F5H157		0	VOLTMETER - FLUSH MOUNT INDICATES BATTERY CONDITION.
-	F5H159		0	HOURMETER - FLUSH MOUNT RECORDS ENGINE RUNNING TIME.
-	F5H119		0	PROPELLER SPACER - FLARED REDUCES PROPELLER VENTILATION ON SOME BOAT APPLICATIONS.
-	F5H069		0	RFI SUPPRESSION KIT PROVIDES RADIO NOISE SUPPRESSION.
-	F71H26		0	BATTERY TERMINAL KIT BATTERY TERMINALS FOR CONNECTIONS TO CABLE ON ENGINE.
-	F5H021		0	EXTENSION CABLE FOR LENGTHENING BATTERY CABLE 6-1/2 FEET.
-	F5H037		0	CIGAR LIGHTER FOR USE AS CONVENIENCE OUTLET.

CONTINUED ON NEXT PAGE ➡

ACCESSORIES

REF. NO.	PART NO.	SYM.	QTY.	DESCRIPTION
-	5H158		0	FUEL GAUGE FLUSH MOUNT MONITORS FUEL SUPPLY.
-	F5H077		0	IGNITION KEY SWITCH SHORT BARREL WITH KEYS.
-	F5H078		0	IGNITION KEY SWITCH LONG BARREL WITH KEYS.
-	F762		0	REMOTE ELECTRIC CABLE 25 FOOT CABLE FOR LARGE BOATS.
-	F5H115		0	TRAILERING TILT LOCK WITHOUT POWER TRIM OR TILT SECURES ENGINE IN HALF-TILT POSITION FOR TRAILERING.
-	F5H179		0	TRAILERING LOCK FOR ENGINES SECURES ENGINE IN HALF
-	F5H178		0	POWER TRIM SWITCH KIT WITH POWER TRIM OR TILT DASH MOUNTED TOGGLE SWITCH TILTED POSITION FOR TRAILERING
-	F5H146		0	POWER TILT TILTS ENGINES FOR BEACHING.
-	F5H132		0	REMOTE CONTROL HANDLE TRIM SWITCH FOR CONVENIENT OPERATION OF POWER TRIM.
-	F5H044		0	TILT STOP KIT SHORTER TILT STOP FOR SHORT TRANSOM WELL.
-	F5H070		0	REMOTE ELECTRIC CABLE 21 FOOT CABLE FOR LARGE BOATS.
-	F5H028		0	SENDING UNIT FOR USE WITH FUEL GAUGE.
-	F5H156		0	TEMPERATURE GAUGE - FLUSH MOUNT MONITORS ENGINE TEMPERATURE. DO NOT USE TEMPERATURE GAUGE AND HEAT LAMP IN SAME INSTALLATION.
-	F5H167		0	TACHOMETER FLUSH MOUNT MONITORS ENGINE R.P.M. TO PROVIDE CHECK OF ENGINE PERFORMANCE.
-	F5H150		0	POWER TRIM ADJUSTS ENGINE TRIM AND TILTS ENGINE.
-	F5H154		0	SPEEDOMETER - FLUSH MOUNT MONITORS BOAT SPEED (10-50 M.P.H.)
-	F5H155		0	SPEEDOMETER - FLUSH MOUNT MONITORS BOAT SPEED (10-65 M.P.H.)
-	F5H076		0	SWITCH EXTENSION CABLE 5 FOOT LONG SWITCH WIRING HARNESS.
-	F5H030		0	SWITCH KIT - RUNNING LIGHTS DASH MOUNTED TOGGLE SWITCH
-	F5H031		0	SWITCH KIT - SPOT LIGHT DASH MOUNTED TOGGLE SWITCH
-	F5H032		0	SWITCH KIT - WIPER DASH MOUNTED TOGGLE SWITCH
-	F5H034		0	SWITCH KIT - BILGE PUMP DASH MOUNTED TOGGLE SWITCH
-	F5H035		0	SWITCH KIT - HORN DASH MOUNTED TOGGLE SWITCH
-	F5H039		0	SWITCH KIT - INSTRUMENT LIGHTS DASH MOUNTED TOGGLE SWITCH
-	F5H036		0	SWITCH KIT - TACHOMETER TRANSFER FOR ONE TACHOMETER ON DUAL ENGINE INSTALLATION.
-	F5H038		0	SWITCH KIT - IGNITION SWITCH TO MOUNT IGNITION SWITCH IN DASH.
-	F563		0	TERMINAL BLOCK KIT DOUBLE ROW 10 SECTION, TO SIMPLIFY ACCESSORY INSTALLATION.
-	F5H075		0	WIRING HARNESS - IGNITION SWITCH - 24" USE WITH 563 TERMINAL BLOCK.

CONTINUED ON NEXT PAGE ➡

ACCESSORIES

REF. NO.	PART NO.	SYM.	QTY.	DESCRIPTION
-	F596-		0	US MARINE OUTBOARD OIL SEE NOTE 1
-	597-		0	US MARINE OUTBOARD GEAR LUBE SEE NOTE 2
-	F5H059		0	US MARINE OUTBOARD MULTI-PURPOSE GREASE LUBRICATES BEARINGS AND OTHER MOVING PARTS. AVAILABLE IN 8 OZ. TUBES AND 12 TUBE CASES.
-	F5H060		0	US MARINE OUTBOARD GREASE GUN USED WITH US MARINE OUTBOARD MULTI-PURPOSE GREASE TUBES FOR PRESSURE FITTINGS.
-	F5H181		0	FORCE WHITE ENAMEL ENGINE TOUCH-UP PAINT IN 13 OZ. AVERAGE SPRAY BOMBS (6 CANS PER CASE).
-	F5H182		0	FORCE WHITE ENAMEL

PARTS INDEX

Part Number	Description	Pg.	Ref. No.	Part Number	Description	Pg.	Ref. No.
5H158	FUEL GAUGE FLUSH MOUNT	56	-	F1425	HEX CAP SCREW, 1/4 - 20 X 2-5/8	35	68
817747--1	BALL JOINT W/STUD	17	23	F1461	SCREW #6 X 7/8	39	40
817747--1	BALL JOINT W/STUD	21	25	F1473	HEX NUT	3	30
817782--1	KEY IGNITION - NO LETTER OR STAMPED A	7	19	F1491	HEX HD SCREW, 5/16 - 18 X 3/4	35	45
817783A5	SWIVEL BRACKET	31	47	F1504	FILL HD. SCREW, 1/4 - 20 X 1-1/4	21	13
817788A3	SPACER PLATE	23	70	F1504	FILL HD. SCREW, 1/4 - 20 X 1-1/4	25	91
817883--1	KEY IGNITION - STAMPED B	7	-	F1513	HEX NUT	39	3
817891--1	KEY IGNITION - STAMPED C	7	-	F1513	HEX NUT, 10 - 32	7	26
817892--1	IGNITION SWITCH PLATE - CANADA (NOT SHOWN)	7	-	F1513	HEX NUT, 10 - 32	17	27
817928--1	KEY IGNITION - STAMPED D	7	-	F1513	HEX NUT, 10 - 32	23	42
817929--1	KEY IGNITION - STAMPED E	7	-	F1515	HEX NUT 5/16 - 18	31	70
817960A2	TOWERSHAFT	21	22	F1515	HEX NUT, 5/16 - 18	7	29
89396A38	PRIME BULB	43	4	F1515	HEX NUT, S.S., 5/16 - 18	7	25
89396A38	PRIME BULB	45	9	F15152	LOCKWASHER	11	18
F1009	HEX HD. SCREW, 3/8 - 16 X 2-3/4	21	3	F15158	SCREW, BRUSH HOLDER	11	15
F1014	COTTER PIN	13	11	F15160	INSULATOR WASHER	11	16
F1015	COTTER PIN	35	52	F15161	PLAIN WASHER	11	17
F1034	PAN HD. SCREW, 1/4 - 20 X 1-3/8	13	33	F15162	NUT	11	20
F1052	FILL HD. SCREW, 1/4 - 20 X 1	21	28	F15164	BRUSH KIT	11	7
F1059	FILL HD SCREW, 6 - 32 X 1/4	13	15	F15174	DRIVE KIT	11	1
F1064	FILL HD. SCREW, 8 - 32 X 3/8	13	37	F15175	DRIVE ASSEMBLY, PINION	11	2
F1107	SLOTTED FILL HD. CAP SCREW, 1/4 - 20 X 3/4	25	92	F15176	CAP STARTER DRIVE	11	3
F1108	FILL HD. SCREW, 1/4 - 20 X 3/4	17	13	F15177	ARMATURE	11	4
F1112	FILL HD SCREW, 1/4 - 20 X 7/8	33	13	F15178	THRU BOLT PACKAGE	11	5
F1203	HEX CAP SCREW, 1/4 - 20 X 7/8	47	16	F15179	COMMUTATOR	11	6
F1236	SCREW. 1/4 - 20 X 1/2	17	22	F1532	HEX HD. SCREW, 1/4 - 20 X 1	17	20
F1253	HEX SOCKET HD. CAP SCREW, 3/8 - 16 X 2	21	9	F1532	HEX HD. SCREW, 1/4 - 20 X 1	21	33
F1263	HEX SOCKET HD CAP SCREWS, 5/16 - 18 X 9/16	29	11	F1532	HEX HD. SCREW, 1/4 - 20 X 1	25	106
F1280	PAN HD SCREW, 8 - 32 X 1/4	29	19	F154317	CABLE CLAMP	39	23
F1280	PAN HD SCREW, 8 - 32 X 1/4	41	42	F1550	SLOTTED PAN HD. SCREW #12 - 24 X 1	9	60
F1280	PAN HD SCREW, 8 - 32 X 1/4 (TERMINAL BOARD) (NOT SHOWN)	41	-	F1556	FILL HD. SCREW, W/LOCKWASHER, 10 - 24 X 3/8	21	29
F1280	SLOTTED PAN HD SCREW, 8 - 32 X 1/4	7	15	F1593	HEX HD SCREW, 3/8 - 16 X 3	29	26
F1286	PAN HD. SCREW, 4 - 40 X 3/16	21	37	F1641	LOCK NUT	11	8
F1303	SLOTTED PAN HD. SCREW, 8 - 32 X 3/4	9	67	F1645	RD HD SCREW, 6 - 32 X 1/4	7	5
F1310	ROUND HD SCREW, 10 - 24 X 5/8	47	22	F1647	HEX NUT, 8 - 32	7	8
F1341	HEX NUT, 1/4 - 20	21	27	F1648	PAN HD SCREW, 10 - 24 X 3/4	7	20
F1341	NUT	11	19	F1664	SPRING PIN	29	10
F1341	NUT, 1/4 - 20	9	53	F1693	TIE BAR RETAINER NUT	13	36
F1346	HEX NUT	17	29	F1696	HEX BOLT, 5/16 - 18 X 1-3/4	29	23
F1346	HEX NUT	29	28	F1699	HEX BOLT, 1/4 - 20 X 1-1/8	25	94
F1425	**HEX CAP SC, 1/4 - 20 X 5/8	37	-	F1699	HEX HD. SCREW, 1/4 - 20 X 1-1/8	21	8
				F17006	DETENT SPRING	39	18
				F17009	BEARING	39	14
				F17010-1	THROTTLE GEAR	39	16
				F17011	BOWED WASHER	39	15
				F17012	RETAINING PLATE	39	13
				F17013	FILL HD SCREW, 1/4 - 20 X 1/2	39	11

PARTS INDEX

Part Number	Description	Pg.	Ref. No.	Part Number	Description	Pg.	Ref. No.
F17014	THROTTLE ARM	39	10	F1755	ROUND HD. SCREW		
F17016	CABLE TERMINAL	39	9		W/LOCKWASHER 6 - 32 X		
F17019	CLUTCH ARM	39	5		1/4	17	38
F17021	CLUTCH GEAR	39	19	F17555	ARMATURE	47	7
F17026	SWIVEL	39	24	F17556	FIELD AND FRAME		
F1703	LOCKWASHER	23	68		ASSEMBLY	47	6
F1703	SPRING LOCKWASHER	31	53	F17557	GASKET	47	5
F17036	INTERNAL TOOTH			F17558	THRU-BOLT PACKAGE	47	43
	LOCKWASHER	39	6	F17560	HEAD ASSEMBLY	49	47
F1704	INTERNAL TOOTH			F17562-1	PISTON ASSEMBLY	49	45
	LOCKWASHER	7	4	F17563	MOTOR AND RESERVOIR	47	20
F1705	HD. M. SCREW 1/4 - 20 X 3/4	9	66	F17564	VALVE BODY AND PUMP	47	17
F1705	HEX CAP SCREW, 1/4 - 20 X			F17565	DRIVE GEAR	47	19
	3/4	33	1	F17566	IDLE GEAR	47	18
F17071	FILL HD SCREW, 10 - 24 X			F17577	ADAPTER FITTING		
	5/16	39	22		PACKAGE	47	42
F1708	HEX HD SCREW, 1/4 - 20 X			F1760	SLOTTED PAN HD SCREW,		
	1-3/8	5	37		10 - 24 X 3/8	9	40
F17082-1	DETENT BALL	39	38	F177330	FUEL PUMP VALVE	17	10
F17092	SNAP RING	39	21	F178145-3	MOTOR LEG COVER REAR	29	9
F17099-1	HOUSING	39	36	F17815	SEAL, FUEL LINE COUPLER		
F1710	PLAIN WASHER	29	33		(SMALL)	45	5
F17100	CLUTCH SHAFT	39	20	F17816	SEAL, FUEL LINE COUPLER		
F17105	FELT WASHER	39	33		(LARGE)	45	4
F17106	COLLAR	39	34	F178168-1	CARBURETOR ADAPTER		
F1711	SPRING BOWED WASHER	29	41		GASKET	25	-
F17111	DETENT BALL	39	17	F178168-1	GASKET, CARBURETOR		
					ADAPTER	17	35
F17115-1	HANDLE	41	44	F17817	SEAL, FUEL TANK ADAPTER	45	12
F17116	KNOB	41	43	F17818	GASKET	45	13
F1713	SPRING PIN	33	29	F178323	SEAL, MOTOR LEG	29	13
F17141	ROUND HD SCREW, 10 - 24			F178344	BUSHING, SHOCK		
	X 3/8	39	25		ABSORBER - UPPER	47	41
F17149	COTTER PIN	39	8	F178362	BEARING	29	35
F17153	RETAINER PLATE	39	26	F178362	BEARING	47	35
F17154	WOOD SCREW	39	35	F178404-1	DEFLECTOR PLATE	17	36
F17155	HEX BOLT, 1/4 - 28 X 1/2	39	7	F178754-1	FUEL LINE	13	8
F17157	DETENT SPRING	39	37	F1788	STOP NUT	33	8
F1727	PLASTIC RIVET	21	24	F1804	STOP NUT	23	75
F1729	PLUG	29	8	F18160-2	CYLINDER DRAIN REED	23	40
F1730	PAN HD SCREW W/SPRING			F1822	HEX BOLT, 5/16 - 18 X 7/8	31	58
	LOCKWASHER, 1/4 - 20 X			F1822	SCREW, 5/16 - 18 X 7/8,		
	5/8	3	34		STAINLESS STEEL	49	52
F1733	PAN HD MACHINE SCREW,			F1829	FILL HD. SCREW, 10 - 24 X		
	10 - 24 X 9/16	3	2		7/8	21	23
F1734	FILL HD. SCREW, 1/4 - 20 X			F1831	FLAT HD SCREW, 1/4 - 20 X		
	1/2	7	12		5/8	19	42
F1734	SCREW AND LOCKWASHER,			F1832	NUT, LOCK 1/4 - 20	9	57
	1/4 - 20 X 1/2	47	26	F1832	STOP NUT, 1/4 - 20	23	62
F1741	PAN HD SCREW, 8 X 3/4	9	49	F184033-1	SWIVEL, TOP CARBURETOR	13	14
F17500	SPRING SET	47	4	F184122-1	SEAL	25	-
F17504	BRUSH SET	47	3	F184122-1	SEAL, PARTING LINE	23	45
F17505	RESERVOIR AND BRACKET			F184579	O-RING SEAL	13	13
	W/SEAL	47	14	F1854	HEX CAP SCREW, 1/4 - 20 X		
F17508	THRUST WASHER	47	11		5/8	3	19
F17510	O-RING	47	13	F1854	HEX HD. CAP SCREW, 1/4 -		
F17518	FILLER CAP	47	12		20 X 5/8	11	12
F17522	O-RING	47	21	F1856	PLAIN WASHER	35	43
F17528	O-RING	49	46	F1857	HEX CAP SCREW, 5/16 - 18		
F17539	BALL	47	2		X 5/8	3	17

PARTS INDEX

Part Number	Description	Pg.	Ref. No.	Part Number	Description	Pg.	Ref. No.
F1857	HEX CAP SCREW, 5/16 - 18 X 5/8	3	29	F1941	SPACER, BEVEL GEAR FRONT .074	33	-
F1858	HEX CAP SCREW, 5/16 - 18 X 1	3	18	F1942	SPACER, BEVEL GEAR FRONT .077	33	-
F1858	HEX CAP SCREW, 5/16 - 18 X 1	35	47	F195/___	REMOTE CONTROL CABLE (SPECIFY LENGTH)		
F1860	RD HD SCREW, 6 - 32 X 1/4	17	9		ACCESSORY ITEM	39	4
F1864	HEX CAP SCREW, 1/4 - 20 X 3/4	3	10	F195/___	REMOTE CONTROL CABLES	55	-
F1864	HEX CAP SCREW, 1/4 - 20 X 3/4	23	73	F1950	HEX CAP SCREW, 10 - 24 X 5/8	25	98
F1864	HEX HD. SCREW, 1/4 - 20 X 3/4	21	11	F1959	SCREW, 1/4 - 20 X 1-3/4, STAINLESS STEEL	47	24
F1864	HEX SLOT HD SCREW, 1/4 - 20 X 3/4	29	3	F1960	PLAIN WASHER	49	50
F1866	PLAIN WASHER	33	9	F1963	NUT, 5/8 - 18	47	34
F1869	HEX CAP SCREW, 3/8 - 16 X 1-1/4	23	67	F1966	PLUG, SWIVEL BRACKET	47	15
F1871	HEX HD SCREW, 3/8 - 16 X 3/4	31	54	F1968	FLYWHEEL NUT	27	20
F1872	HEX CAP SCREW, 3/8 - 16 X 1-3/4	21	12	F1975	LOCKWASHER	7	18
F1873	HEX CAP SCREW, 3/8 - 16 X 3	21	7	F197787-3	FUEL LINE COUPLER	45	6
F1874	HEX HD. SCREW, 3/8 - 16 X 1/8	21	2	F1987	PLAIN WASHER	23	81
F1877	TY-RAP	47	9	F1987	PLAIN WASHER	31	65
F1877	TY-RAP (NOT SHOWN)	9	64	F1990	**HEX CAP SCREW	37	-
F1885	HEX BOLTS. S.S., 5/16 - 18 X 4-1/4	23	55	F1990	HEX CAP SCREW, 1/4 - 20 X 1-5/8	35	66
F1885	HEX CAP SCREW, 5/16 - 18 X 4-1/4	33	15	F1994	HEX SOCKET HD CAP SCREW, 5/16 - 18 X 1	35	42
F1904	PLAIN WASHER	29	27	F1997	STOP NUT, 8 - 32	15	47
F1907	PLAIN WASHER	33	16	F2000	HEX CAP SCREW, 5/16 - 18 X 3/4	25	104
F19109	PLUG	23	78	F2008	HEX CAP SCREW, 1/4 - 20 X 7/8	25	82
F1912	HEX HD SCREW, 10 - 24 X 1/2	31	51	F2008	HEX CAP SCREW, 1/4 - 20 X 7/8	35	61
F1922	HEX CAP SCREW, 1/4 - 20 X 5/8	3	14	F2008	HEX HD SCREW, 1/4 - 20 X 7/8	19	43
F1922	HEX CAP SCREW, 1/4 - 20 X 5/8	11	10	F2008	HEX HD. M. SC., 1/4 - 20 X 7/8	9	44
F1922	HEX CAP SCREW, 1/4 - 20 X 5/8	17	5	F2008	HEX HD. SCREW 1/4 - 20 X 7/8	9	47
F1922	HEX CAP SCREW, 1/4 - 20 X 5/8	23	52	F2008	HEX HD. SCREW, 1/4 - 20 X 7/8	21	5
F1931	NUT, 1/2 - 20, STAINLESS STEEL	49	49	F2008	HEX HD. SCREW, 1/4 - 20 X 7/8	21	6
F1934	FLAT HD SCREW, 6 X 1/2	7	21	F2014	PLAIN WASHER	31	67
F1934	FLAT HD THREAD FORMING SCREW 6 X 1/2	49	54	F2015	HEX NUT, 1/4 - 28	21	17
F1936	SPACER, BEVEL GEAR FRONT .059	33	31	F2016	SLOTTED FILL HD SCREW, 6 - 32 X 7/8	7	1
F1937	SPACER, BEVEL GEAR FRONT .062	33	-	F2030	HEX HD SCREW, 1/4 - 20 X 1-1/4	31	55
F1938	SPACER, BEVEL GEAR FRONT .065	33	-	F2033	GROOVE PIN	13	3
F1939	SPACER, BEVEL GEAR FRONT .068	33	-	F2042	PLAIN WASHER	23	59
F1940	SPACER, BEVEL GEAR FRONT .071	33	-	F2047	WAVE SPRING LOCKWASHER	3	24
				F2049	HEX CAP SCREW, 5/16 - 18 X 2-5/8	23	80
				F2066	PAN HD TAPPING SCREW, 10 X 7/16 (TRIM TO COVER)	3	32

PARTS INDEX

Part Number	Description	Pg.	Ref. No.	Part Number	Description	Pg.	Ref. No.
F2081	HEX SOC. HD. SCREW, 1/4 - 20 X 3/4	27	18	F319908	WIRE, GROUND (C.D. - COIL BRACKET)	9	56
F2088	FASTENER	3	35	F321756	PACKING COVER	3	25
F2089	SLOTTED PAN HD. M. SCREW, 10 - 24 X 5/16	23	60	F322273	STUD	7	28
F2090	PLUG	23	71	F333316	THROTTLE ROLLER SHAFT	15	45
F2093	STOP NUT, 3/8 - 24	29	15	F333480-1	RETAINER, ENGINE COVER	3	31
F2106	LOCKWASHER	9	55	F335215	SPACER, PISTON PIN (2 PER PISTON)	27	3
F2108	LOCK NUT	31	64	F335217-1	BEARING, PISTON PIN (26 PER SET)	27	5
F2108	STOP NUT, 5/16 - 18	23	61	F335654-1	DEFLECTION STOP	3	15
F2113	SPACER, BEVEL GEAR FRONT .080	33	-	F338618-1	*SEAL, GEAR SHIFT ROD	37	-
F2114	SPACER, BEVEL GEAR FRONT .083	33	-	F338618-1	SEAL, GEAR SHIFT ROD	35	59
F2115	SPACER, BEVEL GEAR FRONT .086	35	-	F345683	WIRE, GROUND	9	51
F2116	SPACER, BEVEL GEAR FRONT .089	35	-	F351307	SEAL, DRIVESHAFT - WATER PUMP	35	69
F2117	SPACER BEVEL GEAR REAR	33	24	F353480	STUD	29	29
F2118	SPACER BEVEL GEAR REAR	33	-	F369610	BEARING	23	64
F2119	SPACER BEVEL GEAR REAR	33	-	F369887	SHOULDER SCREW	23	65
F2120	SPACER BEVEL GEAR REAR	33	-	F369977-1	INTERLOCK ARM	23	63
F2121	SPACER, BEVEL GEAR FRONT .057	35	-	F372151-1	EXHAUST PORT PLATE	25	97
F2122	SPACER, BEVEL GEAR FRONT .054	35	-	F372152-2	EXHAUST PORT COVER	25	95
F213274	GREASE FITTING	31	43	F372154-1	EXHAUST PLATE GASKET	25	-
F215962	MOUNT (SHOCK - C.D. UNIT)	7	32	F372154-1	GASKET, EXHAUST PORT PLATE	25	96
F24278	*SEAL, PROPELLER SHAFT SPOOL	37	-	F372958	CHOKE BRACKET	17	19
F24278	SEAL, O-RING PROPELLER SHAFT SPOOL	33	19	F381896-4	BATTERY CABLE	7	34
F269319	THROTTLE CAM BEARING	17	26	F391926-1	PLUNGER	13	5
F284659-2	BEARING, CRANKSHAFT UPPER MAIN	27	21	F3A523158	REED PLATE	17	41
F286818	BEARING	3	9	F3C631944	ENGINE COVER COMPLETE	3	-
F289446-1	CLAMP, REMOTE ELEC. CABLE TO BRACKET	7	11	F40223	GASKET, TRANSFER PORT COVER	23	50
F298788	FERRULE	43	3	F40223	TRANSFER PORT COVER GASKET	25	-
F298788	FERRULE	45	7	F40278	SEAL, CYLINDER	47	31
F299449-4	TOGGLE SWITCH	49	53	F404268	BY-PASS VALVE SPRING	25	101
F2A476757	CYLINDER DRAIN REED PLATE	23	41	F404314	ELBOW, FUEL PUMP COVER	17	2
F2A523239	SPOOL PROPELLER SHAFT BEARING	33	20	F404314	FITTING	23	54
F2A523662	BEVEL GEAR REAR W/BEARING CAGE	33	26	F404801	ELBOW, CYLINDER DRAIN UPPER (NOT SHOWN)	21	-
F2A550706	GEAR HOUSING COVER	35	58	F404841	CABLE, HEAT INDICATOR	9	52
F2A615144	CRANKSHAFT BEARING CAGE	27	17	F405457	PIVOT SCREW	21	31
F307317	CLIP, INTERNAL BLOCK GROUND	7	17	F406406	DEFLECTOR PLATE GASKET	25	-
F316579	SEAL, CRANKCASE	27	11	F406406	GASKET DEFLECTOR PLATE	17	37
F316599	SEAL, STEERING SUPPORT TUBE	31	44	F406471-1	CYLINDER DRAIN COVER	21	35
				F406754-1	HOSE	23	53
				F40689-1	BEARING	23	69
				F407446	CLAMP	7	33
				F409251-1	GAUGE CAP	45	1
				F411420	RETAINER, SWITCH PLATE	9	69
				F412181-1	IGNITION SWITCH PLATE	7	22
				F413420	RETAINER, SWITCH PLATE	49	48
				F433209-1	THROTTLE CAM STUD	17	32
				F433473	CUP, METERING	15	51
				F438066	BY-PASS VALVE COVER	25	99
				F438129	SEAL, DRIVESHAFT SPLINE	37	71
				F438165	SCREW, FUEL PUMP BOWL	17	18
				F438169	BEARING	29	38

PARTS INDEX

Part Number	Description	Pg.	Ref. No.	Part Number	Description	Pg.	Ref. No.
F438271	RETAINER, CRANKSHAFT			F481382-1	SPACER, LATCH SHAFT . . .	3	23
	SPLINE SEAL	37	72	F481434	GUIDE, ENGINE COVER . . .	3	36
F438346	SHOCK MOUNT LOWER . . .	31	61	F481774	BRACKET, COVER LATCH . .	3	26
F438500	FUEL SEDIMENT BOWL . . .	17	17	F481777	CAM, LATCH	3	22
F438617	FUEL SEDIMENT BOWL			F485755-1	FUEL TANK ADAPTER	45	3
	GASKET	17	15	F489551	BRACKET NEUTRAL		
F438653	FUEL SEDIMENT BOWL				INTERLOCK SWITCH	19	44
	SCREEN	17	16	F491689-1	BEARING TOWERSHAFT		
F438668	RETAINER	9	70		UPPER	25	109
F438747	FUEL PUMP DIAPHRAGM . .	17	8	F498618	*SEAL, GEARSHIFT ARM PIN	37	-
F438754	FUEL LINE	13	16	F498618	O-RING	35	36
F438760	FUEL PUMP GASKET	17	4	F498891	PIN, GEAR SHIFT ARM	35	37
F438801	FITTING	17	14	F499026	SWIVEL	21	16
F438930	RETAINER, SNOUT	35	41	F499035	END, CONTROL ROD (TO		
F438962	SHOCK MOUNT LOWER				TOWERSHAFT)	21	18
	REAR	29	12	F499036	END, CONTROL ROD (TO		
F439736	SEAL, EXHAUST TUBE	31	68		TRIGGER)	21	21
F440192-1	THROTTLE CAM	17	28	F500133	MOTOR LEG (1251F5A,		
F440209	CARBURETOR STUD	17	30		1251FC5A, 1251X5A,		
F440254	BALANCE TUBE	17	34		1251XC5A)	29	-
F440906	CARBURETOR GASKET	17	31	F500244	INLET WATER LINE		
F440906	CARBURETOR GASKET	25	-		(1251F5A, 1251FC5A,		
F440925	CHOKE ROD	13	4		1251X5A, 1251XC5A)	33	-
F441754-1	HOSE	17	3	F500606	KINGPIN CAP (1251F5A,		
F448446	CLAMP, TRIM SWITCH				1251FC5A, 1251X5A,		
	CABLE	39	41		1251XC5A)	31	69
F448543	KNOB	39	29	F500615	GEAR SHIFT ROD UPPER		
F448611-1	LEVER	39	30		(1251F5A, 1251FC5A,		
F449010	CYLINDER	47	32		1251X5A, 1251XC5A)	31	-
F449181	PLATE, TRIM SWITCH	47	10	F500707	COVER SHOCK MT. LOWER		
F449253-1	HYDRAULIC LINE, TRIM				(1251F5A, 1251FC5A,		
	CYLINDER, LOWER	47	37		1251X5A, 1251XC5A)	29	36
F449254	HYDRAULIC LINE, TRIM			F500894	POINTER, TIMING	19	51
	CYLINDER, UPPER	47	23	F50109	PLUG, GEAR HOUSING	35	49
F449278	PISTON SEAL	47	30	F50342-1	*SEAL, BEARING CAGE		
F449342	SEAL, PISTON SHAFT	47	28		BOLT	37	-
F449354	THRUST BRACKET	47	25	F50342-1	SEAL, O-RING	33	17
F449545-2	CYLINDER HOUSING	47	33	F506118	*SEAL, PROPELLER SHAFT	37	-
F449632	SHAFT	47	36	F506118	SEAL, DRIVESHAFT	35	57
F449754-1	HYDRAULIC LINE, LIFT			F506118	SEAL, PROPELLER SHAFT . .	33	18
	CYLINDER LOWER	47	39	F510374-1	DECAL, CIRCUIT BREAKER	9	37
F449758	HYDRAULIC LINE, LIFT			F510460	CIRCUIT BREAKER	9	38
	CYLINDER, UPPER	47	38	F511125-2	TUBE, STEERING SUPPORT	31	42
F449843	CABLE	47	8	F511708-1	COVER, CARBURETOR	13	32
F449889	SHAFT, UPPER	49	51	F523031	**GASKET, WATER PUMP . .	37	-
F449894	INDICATOR	39	32	F523031	GASKET, WATER PUMP	35	62
F455449	SWITCH, TRIM	39	39	F523057	BEARING, DRIVESHAFT		
F455690	SET SCREW	39	31		LOWER	37	76
F474073-1	CLAMP SCREW	29	31	F523065-1	**IMPELLER	37	-
F475301-1	MODULE	9	45	F523065-1	IMPELLER, WATER PUMP . .	35	64
F475504	BUSHING	9	42	F523099-1	SPACER, PROPELLER	33	12
F476066-1	THERMOSTAT COVER	25	90	F523116-1	EXHAUST SNOUT	35	44
F476067	GASKET	25	87	F523133-2	MOTOR LEG (1258F5A,		
F476067	THERMOSTAT COVER				1258FC5A, 1258X5A,		
	GASKET	25	-		1258XC5A)	29	14
F476529-1	CYLINDER HEAD GASKET . .	23	76	F523146-1	SEAL	27	19
F476529-1	CYLINDER HEAD GASKET . .	25	-	F523146-1	SEAL, CRANKSHAFT		
F480038-2	SUPPORT PLATE	3	11		LOWER	27	13
F480107-1	CAM STARTER INTERLOCK	23	57	F523188	NUT, BEVEL PINION	35	39

PARTS INDEX

Part Number	Description	Pg.	Ref. No.	Part Number	Description	Pg.	Ref. No.
F523273	STEERING BALL STUD	29	22	F5H039	SWITCH KIT - INSTRUMENT		
F523274	GREASE FITTING	29	39		LIGHTS	56	-
F523280	NUT, STEERING SUPPORT			F5H040	STEEL, 12 GALLON FUEL		
	TUBE	31	48		TANK	55	-
F523300-1	SPRING	29	18	F5H043	BUZZER, HEAT INDICATOR		
F523411	RETAINING RING, BEARING				(ACCESSORY ITEM)	9	50
	CAGE	33	23	F5H043	OVERHEAT BUZZER	55	-
F523451	SPACER, REED STOP	19	50	F5H044	TILT STOP KIT	56	-
F523498	**KEY	37	-	F5H059	US MARINE OUTBOARD		
F523498	DRIVE KEY, WATER PUMP .	37	74		MULTI-PURPOSE GREASE	57	-
F523555	*SEAL, GEAR HOUSING			F5H060	US MARINE OUTBOARD		
	COVER	37	-		GREASE GUN	57	-
F523555	SEAL, O-RING, GEAR			F5H069	RFI SUPPRESSION KIT	55	-
	HOUSING COVER	35	54	F5H070	ELECTRIC CONTROL		
F523562	**PLATE, WATER PUMP . . .	37	-		CABLE, 21 FEET		
F523562	PLATE, WATER PUMP	35	63		(ACCESSORY ITEM)	7	35
F523705	GEAR SHIFT ROD LOWER .	35	51	F5H070	REMOTE ELECTRIC CABLE	56	-
F523813	BEARING CUP	35	33	F5H075	WIRING HARNESS -		
F523899	GROMMET, WATER LINE . .	33	4		IGNITION SWITCH - 24" . .	56	-
F523901	BEARING, BEVEL GEAR			F5H076	SWITCH EXTENSION CABLE	56	-
	REAR	33	25	F5H077	IGNITION KEY SWITCH	56	-
F523930	RETAINER	29	21	F5H078	IGNITION KEY SWITCH	56	-
F523961	CRUSH RING	35	55	F5H078	SWITCH, IGNITION		
F528068	THERMOSTAT	25	88		(ACCESSORY ITEM),		
F528995	COVER, CYLINDER HEAD . .	23	79		LONG BARREL	7	16
F530160	REED (5 PETAL)	17	40	F5H079	REMOTE CONTROL BOX . .	55	-
F545189	BUSHING, CABLE ENTRY . .	3	13	F5H080	TWIN REMOTE CONTROL		
F548984	BLANKET, SILENCER TOP				BOX	55	-
	(NOT SHOWN)	5	-	F5H081	BATTERY CABLE	55	-
F549189	BUSHING, ELECTRIC CABLE	3	12	F5H094	STEERING LINK	55	-
F552985	BLANKET, SILENCER SIDE			F5H108	STEERING CONNECTOR . .	55	-
	(NOT SHOWN)	5	-	F5H115	TRAILERING TILT LOCK		
F563	TERMINAL BLOCK KIT	56	-		WITHOUT POWER TRIM		
F580892-2	DECAL,	39	27		OR TILT	56	-
F58685-2	CONNECTOR, SHIFT CABLE	39	2	F5H119	PROPELLER SPACER -		
F589061-1	CARBURETOR COMPLETE .	13	27		FLARED	55	-
F590	REMOTE CONTROL HEAD			F5H119	WASHER (ACCESSORY		
	(SINGLE LEVER)	55	-		ITEM)	33	10
F598387	DECAL, POWER FLOW	31	71	F5H120	REMOTE CONTROL BACK		
F5H018	DUAL ENGINE TIE BAR	55	-		PLATE	55	-
F5H019	ANTI-CORROSION KIT	55	-	F5H130-1	REMOTE CONTROL BOX		
F5H021	EXTENSION CABLE	55	-		(SINGLE LEVER)		
F5H025	ANTI-CORROSION				(SURFACE MOUNT)	55	-
	SACRIFICIAL ANODE	55	-	F5H132	REMOTE CONTROL HANDLE		
F5H026-1	FUEL TANK (ACCESSORY				TRIM SWITCH	56	-
	ITEM)	45	2	F5H146	POWER TILT	56	-
F5H026-1	STEEL, 6 GALLON FUEL			F5H150	POWER TRIM	56	-
	TANK (LOW PROFILE) . . .	55	-	F5H154	SPEEDOMETER - FLUSH		
F5H028	SENDING UNIT	56	-		MOUNT	56	-
F5H029	TANK ANCHOR	55	-	F5H155	SPEEDOMETER - FLUSH		
F5H030	SWITCH KIT - RUNNING				MOUNT	56	-
	LIGHTS	56	-	F5H156	TEMPERATURE GAUGE -		
F5H031	SWITCH KIT - SPOT LIGHT .	56	-		FLUSH MOUNT	56	-
F5H032	SWITCH KIT - WIPER	56	-	F5H157	VOLTMETER - FLUSH		
F5H034	SWITCH KIT - BILGE PUMP .	56	-		MOUNT	55	-
F5H035	SWITCH KIT - HORN	56	-	F5H159	HOURMETER - FLUSH		
F5H036	SWITCH KIT - TACHOMETER				MOUNT	55	-
	TRANSFER	56	-	F5H161	POWER TRIM INDICATOR .	55	-
F5H037	CIGAR LIGHTER	55	-	F5H167	TACHOMETER FLUSH		
					MOUNT	56	-

PARTS INDEX

Part Number	Description	Pg.	Ref. No.	Part Number	Description	Pg.	Ref. No.
F5H173	FLUSHING ADAPTER	55	-	F8096	SPRING LOCKWASHER . . .	31	59
F5H178	POWER TRIM SWITCH KIT WITH POWER TRIM OR TILT	56	-	F8096	SPRING LOCKWASHER . . .	35	46
F5H179	TRAILERING LOCK FOR ENGINES	56	-	F8104	PLAIN WASHER	21	10
F5H181	FORCE WHITE ENAMEL . . .	57	-	F8124	TOOTH LOCKWASHER	9	68
F5H182	FORCE WHITE ENAMEL . . .	57	-	F84011	WASHER	31	46
F615029	TRIGGER ASSY.	9	58	F84074	CLAMP SCREW FOOT	29	30
F615358	BRACKET (C.D. - COIL) . . .	7	30	F84286-1	FRICTION WASHER	31	45
F615475	IGNITION COIL	9	46	F84305	*SEAL, PROPELLER SHAFT SPOOL	37	-
F616675	STARTER BRACKET LOWER . .	11	11	F84305	SEAL, O-RING PROPELLER SHAFT SPOOL	33	21
F616744	WIRING HARNESS	7	14	F84307-1	*SEAL, DRIVESHAFT	37	-
F616955	STARTER COMPLETE.	11	14	F84314-2	ELBOW	13	9
F630843	ELECTRIC CONTROL CABLE, 22 FEET 1251X5A, 1251XC5A	7	-	F84314-2	ELBOW	17	6
F7004	STOP NUT, 3/8 - 16	23	49	F84314-2	ELBOW	23	46
F7008	ELASTIC STOP NUT	21	32	F84342	SEAL, INLET WATER LINE, UPPER	33	3
F7008	STOP NUT, 1/4 - 20	17	25	F84449	NEUTRAL INTERLOCK SWITCH	7	3
F7009	LOCK NUT, #10 - 24	25	107	F84472-5	CYLINDER DRAIN COVER GASKET	25	-
F7012	STOP NUT	29	25	F84472-5	GASKET, CYLINDER DRAIN COVER	21	36
F71H26	BATTERY TERMINAL KIT . . .	55	-	F84504	GROMMET (THERMOSTAT) . .	25	89
F71H26	BATTERY TERMINAL KIT (ACCESSORY ITEM)	9	48	F84521-2	CLUTCH	33	30
F74305	*SEAL, GEAR HOUSING COVER	37	-	F84748-3	CYLINDER DRAIN REED PLATE GASKET	25	-
F74305	SEAL, DRIVESHAFT BEARING CAGE	35	56	F84748-3	GASKET, CYL. DRAIN REED PLATE	23	44
F762	REMOTE ELECTRIC CABLE . .	56	-	F84792	GASKET, CENTER FUEL PUMP VALVE	17	11
F8003	PLAIN WASHER	21	38	F84871-1	PIN, GEAR SHIFT W/YOKE . .	33	28
F8011	PLAIN WASHER	9	39	F85017	PISTON PIN	27	4
F8028	PLAIN WASHER	9	43	F85033	SWIVEL, CHOKE ROD (BOTTOM CARBURETOR) (NOT SHOWN)	13	-
F8038	PLAIN WASHER	21	4	F85037-1	STERN BRACKET PIVOT BOLT	31	50
F8038	PLAIN WASHER	29	17	F85117	BRACKET, WATER LINE . . .	33	2
F8056	SPRING LOCKWASHER	7	7	F85130	BOOT IDLE EXHAUST	29	5
F8058	INTERNAL TOOTH LOCKWASHER	17	24	F85161-1	REED STOP	17	39
F8061	INTERNAL TOOTH LOCKWASHER	39	12	F85211	STUD	23	47
F8077	*WASHER	37	-	F85258	INSERT	29	4
F8077	WASHER GEAR HOUSING PLUG	35	48	F85279-2	CYLINDER EXHAUST UPPER GASKET	25	-
F8080	SPRING LOCKWASHER	29	20	F85279-2	GASKET, CYLINDER EXHAUST UPPER	23	66
F8083	**SPRING LOCKWASHER . . .	37	-	F85314-1	FUEL FITTING	13	7
F8083	LOCKWASHER	37	79	F85317-2	SOLENOID CLAMP	17	21
F8083	SPRING LOCKWASHER	3	20	F85372	PIN, GEAR SHIFT ROD LOWER	35	53
F8083	SPRING LOCKWASHER	9	63	F8538	SPRING PIN	29	32
F8083	SPRING LOCKWASHER	11	13	F85380	SPRING	29	6
F8083	SPRING LOCKWASHER	29	2	F85410	SNAP RING	27	8
F8083	SPRING LOCKWASHER	35	60	F85445	CONTROL ROD	21	20
F8088	PLAIN WASHER	7	2	F85498	FLYWHEEL KEY	27	16
F8088	PLAIN WASHER	13	12	F85502	THROTTLE LINK	21	26
F8090	PLAIN WASHER	7	31	F85509-1	LINK, CHOKE	13	2
F8094	PLAIN WASHER	3	21	F85571	BEARING CAGE W/ROLLER . .	27	10
F8095	PLAIN WASHER	23	48				
F8096	SPRING LOCKWASHER	3	16				
F8096	SPRING LOCKWASHER	3	28				
F8096	SPRING LOCKWASHER	7	24				
F8096	SPRING LOCKWASHER	25	105				

PARTS INDEX

Part Number	Description	Pg.	Ref. No.	Part Number	Description	Pg.	Ref. No.
F85610	BEARING	23	56	FA440157	CARBURETOR ADAPTER, UPPER	17	-
F85615	GEAR SHIFT ROD UPPER (1258F5A, 1258FC5A, 1258X5A, 1258XC5A)	31	62	FA440167	CARBURETOR ADAPTER, LOWER	17	33
F8563	DOWEL PIN	21	14	FA449015	PISTON	47	29
F85634-2	CONNECTING ROD SCREW	27	14	FA449149	COVER W/SEALS AND RETAINER	47	27
F85660-1	EXHAUST TUBE	29	1	FA480179	TRIM TOP	3	1
F85704	COUPLER, GEAR SHIFT ROD	31	60	FA480269	TILT HANDLE	3	3
F85762	BY-PASS COVER GASKET	25	-	FA480876	GEAR SHIFT ARM	23	58
F85762	BY-PASS VALVE COVER GASKET	25	100	FA481469	HANDLE W/SHAFT	3	8
F85772	CLAMP	29	7	FA481743	ROLLER BRACKET W/ROLLER	3	27
F85779-1	BAFFLE, AIR INTAKE	31	52	FA500019	KINGPIN (1251F5A, 1251FC5A, 1251X5A, 1251XC5A)	29	-
F85859	STUD	21	15	FA523014	CRANKSHAFT LOWER MAIN BEARING	27	12
F85906	CARBURETOR GASKET	25	-	FA523054	GEAR HOUSING	35	38
F85908-1	LEAD WIRE	11	9	FA523136	CAGE, REAR	33	22
F85916-1	BY-PASS VALVE	25	102	FA523485	ANTICORROSION ANODE	33	14
F85924	CHOKE SOLENOID	7	36	FA523735	SEAL, INLET WATER LINE, LOWER	35	70
F85965	SHOCK MOUNT UPPER	31	63	FA528018	CRANKSHAFT	27	15
F89758	FUEL PUMP AIR HOSE - TOP	17	7	FA552180	TRIM REAR	3	4
F9018	CAP	31	49	FA552888	TRIM, FRONT	3	33
F9052	PLUG	29	40	FA552944	ENGINE COVER	3	5
F90619-1	YOKE	35	34	FA58976-1	CONNECTOR, THROTTLE CABLE	39	1
F90807	RETAINING RING	13	34	FA599752	FUEL LINE COMPLETE	43	-
F9095	SHIM, DRIVESHAFT BEARING, UPPER .005 SILVER	37	-	FA607689	BEARING TOWERSHAFT	25	108
F9097	SHIM, DRIVESHAFT BEARING, UPPER .010 BLACK	37	-	FA609853	DECAL, WARNING	9	65
F9106	SHIM, DRIVESHAFT BEARING, UPPER .003 BRASS	37	75	FA615095	ALTERNATOR STATOR	9	59
F91446-1	CIRCUIT BREAKER BRACKET	9	41	FA615097	FLYWHEEL	9	61
F92759	THROTTLE ROLLER	15	46	FA615518	CYLINDER HEAD	23	77
F93811	SCREEN	23	43	FA616497	TERMINAL BLOCK	7	13
F93920	REED STOP	21	39	FA630374	DECAL SWIRL	5	38
F97772	CLAMP	13	6	FA630391	DECAL, SUPPORT PLATE	5	39
F97772	FUEL LINE CLAMP	43	1	FA631396	DECAL, STARBOARD	3	-
F97772	FUEL LINE CLAMP	45	11	FA631397	DECAL, PORT	3	7
F98273	ROD END CONNECTOR STUD	23	74	FA84621-1	COUPLING, GEAR SHIFT ARM W/BUSHING	35	50
FA17559	LIFT CYLINDER COMPLETE	47	40	FA84754-1	FUEL LINE SHORT W/FERRULES	43	5
FA17561-1	O-RING W/LITERATURE	49	44	FA84754-1	FUEL LINE SHORT W/FERRULES	45	8
FA178233	THROTTLE TIE BAR W/SWIVEL	13	35	FA85135-4	LEG COVER FRONT	31	57
FA178962	SHOCK ABSORBER W/BUSHING - 178344	29	34	FA85193	TIE BAR END W/SWIVEL	13	38
FA27232	EMERGENCY STARTER ROPE (NOT SHOWN)	7	-	FA85355-1	WASHER (SET OF 2 SHOCK MOUNT WASHERS)	31	66
FA335260	PISTON RING SET (2 PER SET) - STANDARD	27	1	FA85655-1	CRANKSHAFT MAIN BEARING RACE W/SNAP RING	27	9
FA411222	TRANSFER PORT COVER	23	51	FC529398	DECAL, WIRING	25	93
FA438431	FUEL PUMP BODY	17	12	FC552054	GEAR HOUSING COMPLETE	37	-
FA439493	BRACKET, TERMINAL BLOCK	7	10	FC631054	GEAR HOUSING COMPLETE	37	-
				FG1019	GASKET SET -	25	103
				FK10023	GASKET SET	13	-

PARTS INDEX

Part Number	Description	Pg.	Ref. No.	Part Number	Description	Pg.	Ref. No.
FK10103	REPAIR PARTS KIT.	13	1	FS409752	FUEL LINE COMPLETE. ...	45	-
FK10107	INLET NEEDLE AND SEAT .	13	19	FS85019	KINGPIN (1258F5A, 1258FC5A, 1258X5A, 1258XC5A)	29	37
FK1063-2	SEAL KIT	37	77			23	72
FK1069	WATER PUMP KIT	37	78	FS85872-1	BRACKET		
FK1123	SPARKIE KIT	9	54	FSA335260	PISTON RING (2 PER SET) .010 OVERSIZE	27	-
FK17156	BAG ASSEMBLY (NOT SHOWN).	41	-	FT1082	SNAP RING PLIER	51	-
FK405020	SWIVEL W/CLAMP, SHOULDER SCREW AND NUT	21	30	FT11204	BEARING CUP INSTALLER .	52	-
FK460917	STARTER RELAY	7	23	FT11205	BEARING INSTALLER/REMOVER ..	52	-
FK625366	MEDALLION	3	6	FT11207	BEARING CUP REMOVER ..	52	-
FK650450	RECTIFIER	7	9	FT11209	BEARING GUIDE SET	52	-
FK85228-1	BEARING CAGE W/ROLLER	27	7	FT2938-1	BATTERY POWERED TEST LIGHT	50	-
FO10588	BODY CHANNEL CUP PLUG	15	48	FT2951	CIRCUIT TRACER	50	-
FO11103	IDLE MIXTURE SCREW SPRING	13	28	FT2953	SOCKET	51	-
FO13193	MAIN FUEL JET OPT. .088 4500 - 6000 FT.	15	-	FT2961	LUBRICANT - RYKON GREASE #2EP	54	-
FO13554	FLOAT	13	25	FT2962-2	SEALANT - 50 CC LOCTITE H, NON-HARDENING GRADE	54	-
FO13944	FLOAT LEVER PIN	13	24	FT2963-2	SEALANT - 2 OZ. LOCTITE D, HARDENING GRADE ..	54	-
FO13949	MAIN FUEL JET OPT. .086 6000 FT. & UP	15	-	FT2987-1	LUBRICANT - ANTI-SEIZE ..	54	-
FO14166	IDLE MIXTURE SCREW	13	29	FT2990	PISTON PIN TOOL	51	-
FO14190	MAIN FUEL JET OPT. .092 1500 - 3000 FT.	15	-	FT2991	CARBON BRUSH	51	-
FO14191	MAIN FUEL JET STD. .0937 SEA LEVEL - 1500 FT. ...	13	40	FT2996	RING COMPRESSOR	51	-
FO15406	MAIN FURL JET OPT. .090 3000 - 4500 FT.	15	-	FT2998	TORQUE WRENCH	51	-
FO15623	FUEL BOWL GASKET	13	26	FT2999	TORQUE WRENCH	51	-
FO16128	BODY CHANNEL WELCH PLUG	15	49	FT3012	SEAL INSTALLER	52	-
FO16130	FUEL BOWL	13	22	FT7848	TORQUING ADAPTER	52	-
FO16132	FUEL BOWL RETAINING SCREW	13	20	FT8900	HOSE CLAMP PLIERS	51	-
FO16133	MAIN NOZZLE	13	23	FT8901	INDICATOR HOLDER	52	-
FO16142	THROTTLE SHUTTER	15	50	FT8902	DIAL INDICATOR	52	-
FO16143	THROTTLE SHAFT RETURN SPRING	15	41	FT8903	SEAL INSTALLER	51	-
FO16301	CHOKE SHAFT AND LEVER	13	17	FT8907	DRIVE HANDLE	51	-
FO16620	E-RING	13	10	FT8907	DRIVER HANDLE	52	-
FO16993	BY PASS TUBE	15	52	FT8914	SEAL REMOVER	51	-
FO17719	CHOKE, SHUTTER	13	30	FT8918	BEARING GUIDE SET	52	-
FO17884	THROTTLE SHAFT AND LEVER	15	42	FT8919	SPRING PIN PUNCH	52	-
FO17885	CHOKE SHAFT RETURN SPRING	13	18	FT8925	SEAL INSTALLER	51	-
FO1974	SCREW	15	44	FT8925	SEAL INSTALLER	52	-
FO5323	FUEL BOWL RETAINING SCREW GASKET	13	21	FT8926	RING EXPANDER	51	-
FO8942	CHOKE AND THROTTLE SHUTTER SCREW	13	31	FT8927	SEAL PROTECTOR	51	-
FO9678	CLIP, CHOKE SHAFT	13	39	FT8933	LIFTING HOOK	51	-
FO992	LOCKWASHER	15	43	FT8935	SEALANT PRIMER - 6 OZ. ...	54	-
FPS501	PROPELLER (ACCESSORY ITEM) (1251X5A, 1251XC5A)	33	11	FT8936-1	SEALANT - 2 CC LOCTITE RETAINING COMPOUND #75	54	-
				FT8948-1	PULLER	50	-
				FT8948-1	PULLER	52	-
				FT8950	LEAKAGE TESTER	53	-
				FT8953	IGNITION TESTER	53	-
				FT8955	SEALANT - 5 OZ. EC-750 INDUSTRIAL SEALANT ..	54	-
				FT8957	SEAL INSTALLER	52	-
				FT8969	LUBRICANT - 7 OZ. LPSI LUBRICANT	54	-
				FT8978	POWER TIMING LIGHT	50	-

PARTS INDEX

Part Number	Description	Pg.	Ref. No.	Part Number	Description	Pg.	Ref. No.
FT8983	SEALANT - 3 OZ. RTV SEALANT FROM IN PLACE GASKETS	54	-				
FT8985	SEAL INSTALLER	52	-				
FT8997	SHIMMING TOOL	52	-				
FTA2937-1	TIMING TOOL	50	-				
FTA8994	PISTON PIN TOOL	51	-				
FTK8999	TEST WHEEL	53	-				
22-818103--1	ELBOW, CYLINDER DRAIN LOWER	21	34				
32-817738A1	FUEL LINE	43	2				
32-817738A1	FUEL LINE LONG	45	10				
33-818007--1	SPARK PLUG (CHAMPION UL18V) - USA	25	83				
39-818110A1	PISTON RING (2 PER SET) .030 OVERSIZE	27	-				
43-817854A2	BEVEL PINION GEAR	35	40				
43-818068A2	BEVEL GEAR FRONT W/BEARING AND SHIMS	35	32				
44-817962A2	PROPELLER SHAFT	33	27				
45-817961A6	DRIVESHAFT W/BEARING	37	-				
45-817967A6	DRIVESHAFT W/BEARING	37	73				
46-817853A1	**WATER PUMP	37	-				
46-817853A1	WATER PUMP BODY	35	65				
87-817939A1	THERMOSWITCH	7	6				
597-	US MARINE OUTBOARD GEAR LUBE	57	-				
600-818052A4	CONNECTING ROD W/CAP AND	27	6				
700-817988A2	PISTON .010 OVERSIZE	27	-				
700-818111A2	PISTON .030 OVERSIZE	27	-				
700-F372015-3	PISTON - STANDARD	27	2				
800-817864A6	CYLINDER W/CRANKCASE COVER	21	1				
800-818154A6	SHORT BLOCK	21	-				
1400-817958A6	STERN BRACKET	29	24				
F596-	US MARINE OUTBOARD OIL	57	-				