



PARTS CATALOG

FORCE 1987 50 H.P. "B" MODELS

SERIAL NUMBER

50 H.P. (1987)507F7B
50 H.P. (1987)507X7B
50 H.P. (1987)507Y7B
50 H.P. (1987)	508M7B
50 H.P. (1987)	C507F7B

TABLE OF CONTENTS:

ACCESSORIES	55
ALTERNATOR AND ELECTRICAL COMPONENTS	4
CARBURETOR	14
CRANKSHAFT & PISTON	22
ELECTRIC STARTER	10
ENGINE COVER AND SUPPORT PLATE	2
FUEL PUMP	12
FUEL RECIRCULATION COMPONENTS	24
FUEL TANK AND LINE	40
GEAR HOUSING	36
MOTOR LEG	30
PARTS INDEX	57
POWER HEAD	18
POWER TILT (MODEL 5H143 SHIPPED WITH MODEL 508M7B ONLY)	46
REED PLATE	28
REMOTE CONTROL	42
SHIFT AND THROTTLE COMPONENTS	26
SPECIAL TOOLS - LOWER UNIT	52
SPECIAL TOOLS - LUBRICANTS AND SEALANTS	54
SPECIAL TOOLS - POWER HEAD	51
SPECIAL TOOLS - TEST EQUIPMENT	53
SPECIAL TOOLS - TUNE-UP	50

NOTE: *Indented description indicate that these parts are included in preceding assembly.*

AR = As Required

NSS = Not Sold Separate

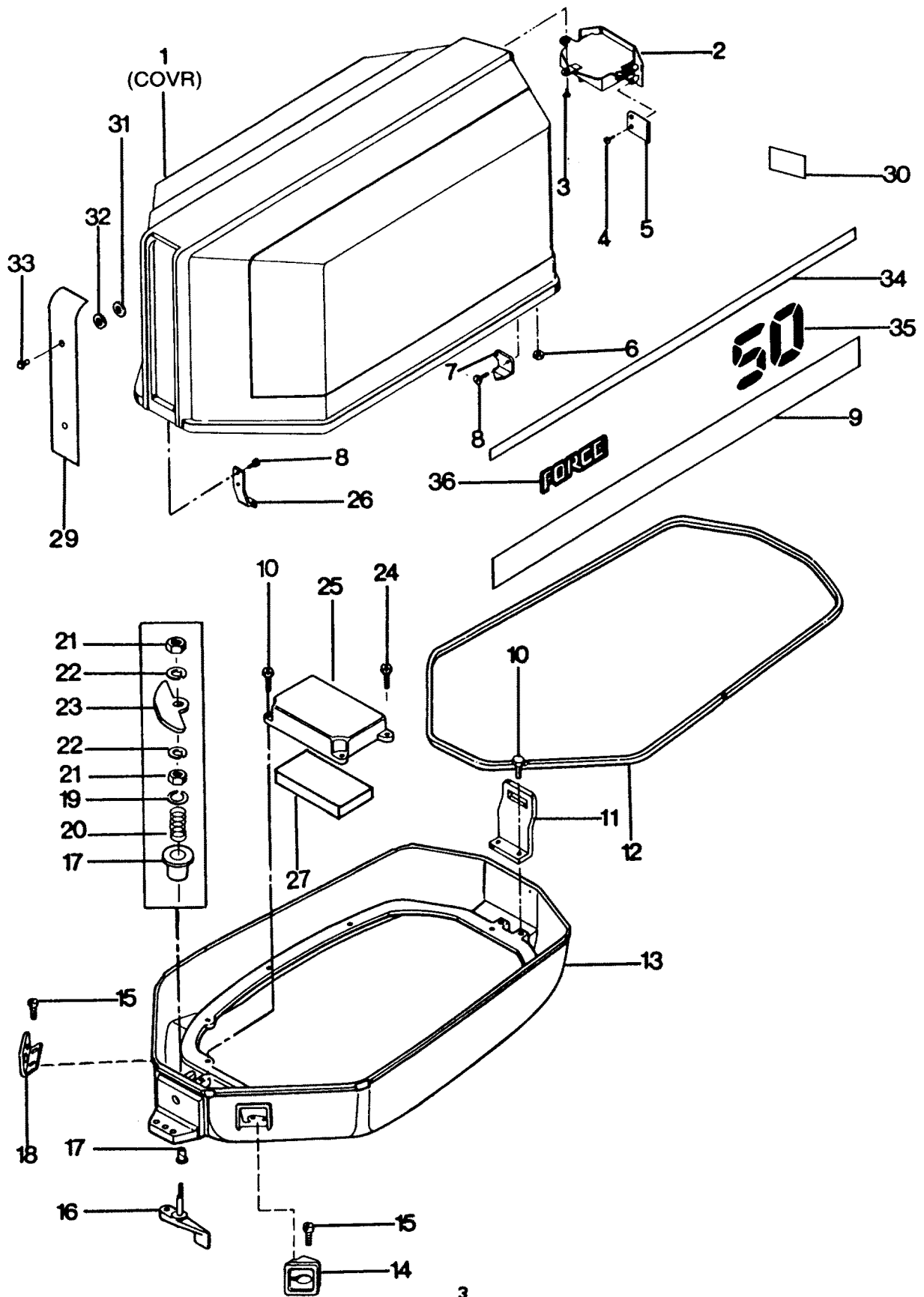
OPT = Optional

NS = Not Shown

THESE PARTS BOOKS/FICHE CARD ARE COPYRIGHTED AND MAY NOT BE DISTRIBUTED OR REPRODUCED IN ANY OTHER FORMAT BY ANYONE OTHER THAN MERCURY MARINE WITHOUT THE PRIOR WRITTEN CONSENT OF MERCURY MARINE.

THIS PAGE INTENTIONALLY LEFT BLANK

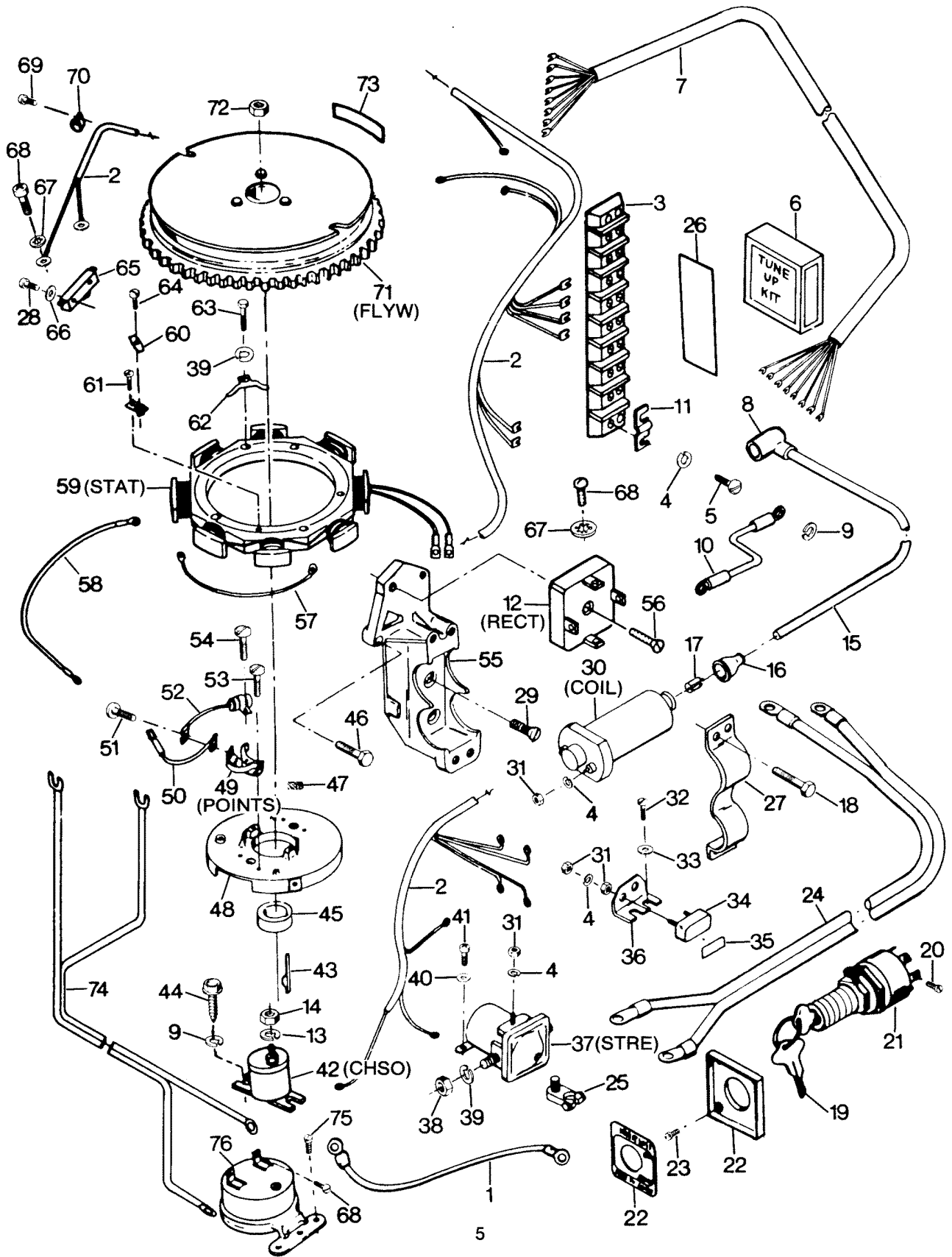
ENGINE COVER AND SUPPORT PLATE



ENGINE COVER AND SUPPORT PLATE

REF. NO.	PART NO.	SYM.	QTY.	DESCRIPTION
1	FS662712		1	ENGINE COVER W/ILLUS. 6, 7, 8 AND 26
-	F2C662712		1	ENGINE COVER COMPLETE INCLUDES ITEMS MARKED WITH AN ASTERISK (*).
2	817814A1		1	TILT HANDLE W/LITERATURE ORIGINAL FORCE P/N A 463269-1
3	F2025		1	PAN HD SCREW, 10 X 5/8
4	F2066		4	PAN HD SELF-TAPPING SCREW
5	F463864		2	RETAINER, TILT HANDLE
6	F7011		4	HEX NUT, 10 - 24
7	FA458480		1	ENGINE COVER RETAINER W/ILLUS. 6 AND 8
8	F1475		4	FILL HD SCREW, 10 X 24 X 1/2
9	F662397		2	DECAL, ENGINE COVER BOTTOM STRIPE
10	F1864		12	HEX CAP SCREW, 1/4 - 20 X 3/4
11	F458774		1	BRACKET RETAINER - REAR
12	F85756		1	SUPPORT PLATE PACKING
13	F307038		1	SUPPORT PLATE
14	F549189		1	BUSHING ELECTRIC CABLE ENTRY
15	F1733		3	PAN HD SCREW, 10 - 24 X 9/16
16	FA328763		1	COVER LATCH HANDLE W/SHAFT
17	F307818		2	BEARING, LATCH SHAFT
18	F660189		1	BUSHING, CABLE ENTRY
19	F1987		1	PLAIN WASHER
20	F183300		1	SPRING
21	F1515		2	HEX NUT, 5/16 - 18
22	F8096		2	SPRING LOCKWASHER
23	F89777-1		1	LATCH CAM
24	F1532		2	HEX HD SCREW. 1/4 - 20 X 1
25	FA307779		1	BAFFLE, AIR INTAKE W/ILLUS. 27
26	FA366778		1	ENGINE COVER RETAINER FORWARD W/ILLUS. 6 AND 8
27	F307860		1	INTAKE SILENCER
29	FK606711		1	PLATE, FRONT W/LLUS. 31, 32, 33
-	F465985		2	BLANKET, SILENCER - SIDE (NOT SHOWN)
-	F311984-1		1	BLANKET SILENCER - TOP (NOT SHOWN)
-	F474992		1	BLANKET SILENCER - FRONT (NOT SHOWN)
30	F665387		1	DECAL, "US MARINE"
31	F1753		2	FASTENER, TRIM (INSIDE OF COVER)
32	F85735-1		2	SEAL, TRIM (INSIDE OF COVER)
33	F2165		2	RIVET, TRIM
34	F662915		2	DECAL, ENGINE COVER TOP STRIPE
35	F662386		2	DECAL, "50"
36	F663366		2	MEDALLION "FORCE"

ALTERNATOR AND ELECTRICAL COMPONENTS

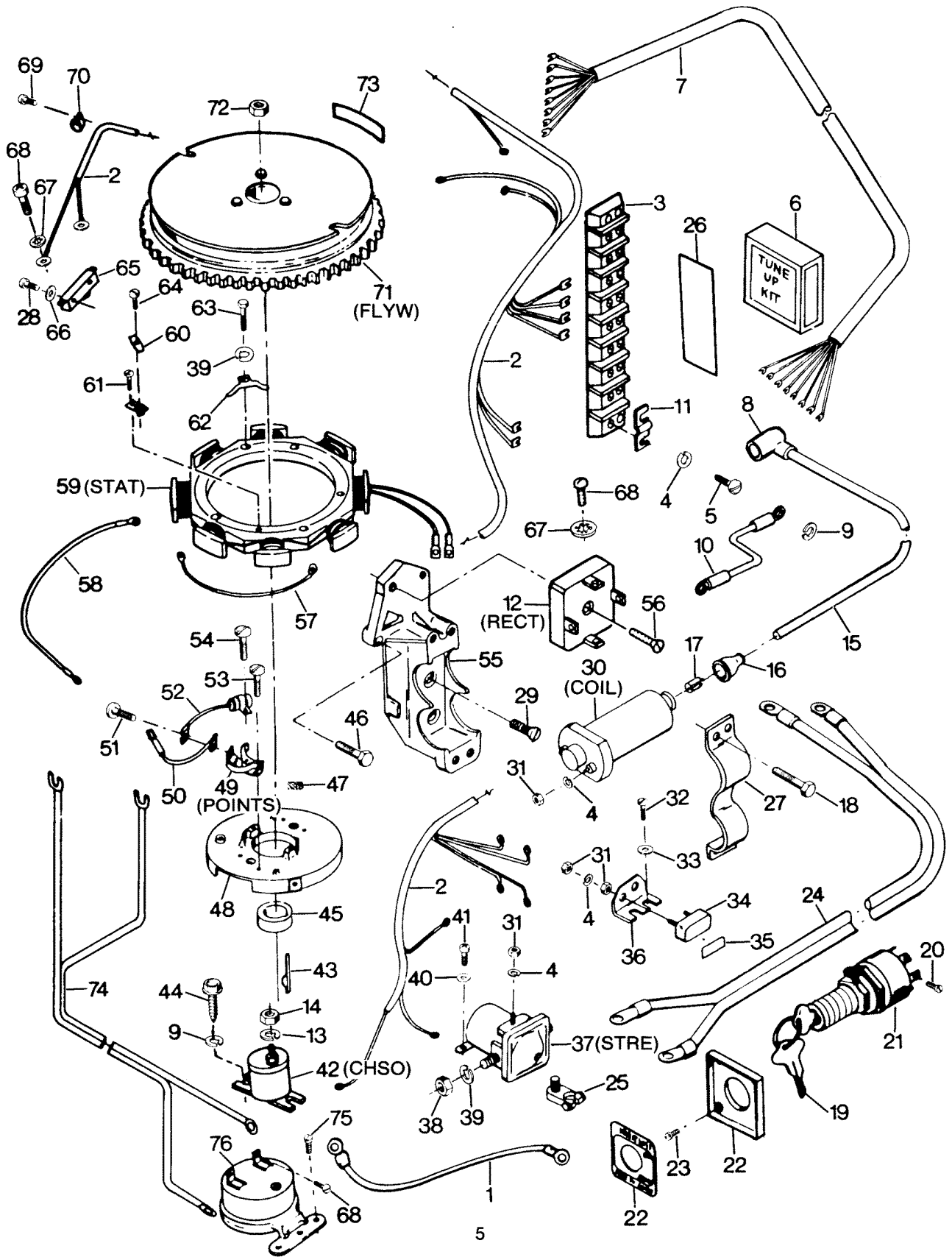


ALTERNATOR AND ELECTRICAL COMPONENTS

REF. NO.	PART NO.	SYM.	QTY.	DESCRIPTION
1	F307683		1	WIRE, CIRCUIT BREAKER
2	F311744-2		1	WIRING HARNESS
3	FA616497		1	TERMINAL BLOCK W/ILLUS. 5
4	F1975		7	LOCKWASHER
5	F1974		2	SLOTTED PAN HD SCREW, 10 - 24 X 5/8
6	FK1075		1	TUNE-UP KIT. INCLUDES ALL ITEMS MARKED WITH AN ASTERISK (*)
7	F629843		1	ELECTRIC CONTROL CABLE - 14 1/2 FT. (507X6A 507XC6A)
-	F85843-1		1	ELECTRIC CONTROL CABLE - 18 FT. (507F6A 507FC6A)
8	FK1123		2	SPARKIE KIT
9	F8083		3	SPRING LOCKWASHER
10	F345683		1	WIRE - GROUND
11	F307317		1	CLIP, TERMINAL BLOCK - GROUND
12	F650450		1	RECTIFIER
13	F8056		1	SPRING LOCKWASHER
14	F1647		1	HEX NUT, 8 - 32
15	84-817765A2		2	COIL WIRE. INCLUDES ITEMS 16 AND 17 ORIGINAL FORCE P/N A 307664-2
-	F467841		2	COIL WIRE - CANADA
16	F203276		2	COIL BOOT
17	F203673-1		2	TERMINAL CLIP
18	F1922		4	HEX CAP SCREW, 1/4 - 20 X 5/8
19	817782--1		1	IGNITION KEY - NO LETTER OR STAMPED A
-	817883--1		1	IGNITION KEY - STAMPED B
-	817891--1		1	IGNITION KEY - STAMPED C
-	817928--1		1	IGNITION KEY - STAMPED D
-	817929--1		1	IGNITION KEY - STAMPED E
20	F1280		5	PAN HD SCREW, 8 - 32 X 1/4
21	F5H078		1	IGNITION SWITCH (ACCESSORY ITEM) W/ILLUS. 19 AND 20
22	F5H038		1	IGNITION SWITCH MOUNTING KIT (ACCESSORY ITEM) W/ILLUS. 23
-	817892--1		1	PLATE IGNITION SWITCH CANADA
23	F1934		4	FLAT HD SLOTTED SCREW 6 X 1/2
24	F629896		1	BATTERY CABLE (BAYLINER MODELS)
-	F381896-4		1	BATTERY CABLE (FORCE MODELS)
25	F5H041		1	BATTERY TERMINAL KIT (ACCESSORY ITEM)
26	817887--1		1	DECAL, WIRING
-	FA27232		1	EMERGENCY STARTER ROPE (NOT SHOWN) WITH HANDLE
27	F380513		1	COIL CLAMP
28	F2016		2	FILL HD SCREW, 8 - 32 X 7/8
29	F1164		2	FLAT HD SCREW, 5/16 - 18 X 1-1/8
30	F380475		2	COIL
31	F1513		9	HEX NUT, 10 - 32
32	F1733		2	PAN HD SCREW, 10 - 24 X 9/16

CONTINUED ON NEXT PAGE ➡

ALTERNATOR AND ELECTRICAL COMPONENTS

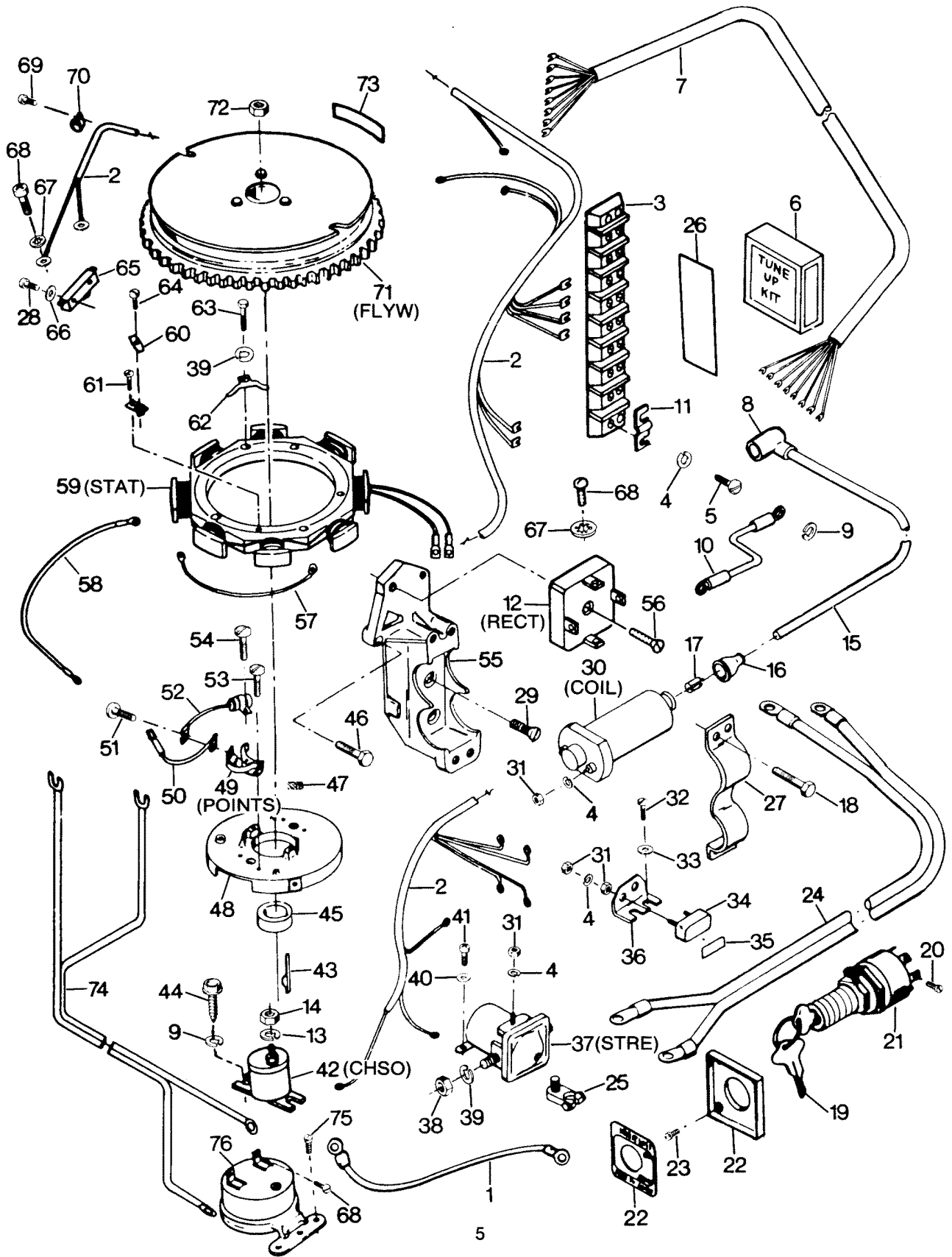


ALTERNATOR AND ELECTRICAL COMPONENTS

REF. NO.	PART NO.	SYM.	QTY.	DESCRIPTION
33	F8011		2	PLAIN WASHER
34	F510460		1	CIRCUIT BREAKER
35	F510374-1		1	DECAL, CIRCUIT BREAKER
36	F91446-1		1	CIRCUIT BREAKER BRACKET
37	F177917		1	STARTER RELAY
38	F1615		2	HEX NUT, 5/16 - 24
39	F8096		5	SPRING LOCKWASHER
40	F8094		1	PLAIN WASHER
41	F1238		2	FILL HD SCREW, 1/4 - 20 X 3/4
42	89-817760A2		1	CHOKE SOLENOID W/ILLUS. 13 AND 14 ORIGINAL FORCE P/N A 289924-1
43	F92498		1	KEY
44	F1854		2	HEX HD SCREW, 1/4 - 20 X 5/8
45	F268002-2		1	CAM
46	F1532		1	HEX HD SCREW, 1/4 - 20 X 1
47	F12227		2	CAM WIPER - FELT
48	F12344		1	BREAKER PLATE
49	F12329-2		2	BREAKER POINT SET
50	F12174-1		2	GROUND LEAD
51	F12189		2	CONDENSER MOUNT SCREW
52	F12139-1		2	CONDENSER
53	F12090		4	BREAKER CONTACT SCREW
54	F12170		2	CONDENSER MOUNT SCREW W/LOCKWASHER
55	F380501-1		1	COIL MOUNT
56	F1552		1	SLOTTED PAN HD SCREW, 8 - 32 X 1/2
57	F12338		1	GROUND WIRE
58	F289664		1	WIRE STATOR GROUND
59	F466095		1	STATOR
60	F12172		2	TERMINAL COMPLETE INCLUDES ILLUS. 64
61	F1958		2	PAN HD SCREW, 6 X 7/16
62	F466479		3	BREAKER PLATE SHOE
63	F2071		3	HEX CAP SCREW, 5/16 - 18 X 1-3/8
64	F12167		2	SCREW
65	F84449		1	NEUTRAL INTERLOCK SWITCH
66	F8088		2	PLAIN WASHER
67	F1704		6	INTERNAL TOOTH LOCKWASHER
68	F1645		8	RD HD SELF-TAPPING SCREW, 6 - 32 X 1/4
69	F1110		1	SLOTTED FILL HD SCREW, 1/4 - 20 X 5/8
70	F260446-1		1	CLAMP
71	200-817739A6		1	FLYWHEEL W/ILLUS. 73 ORIGINAL FORCE P/N A 203097-5
72	F1920		1	HEX NUT, 5/8 - 18
73	FA609853		1	DECAL, WARNING W/LITERATURE
74	F404841		1	CABLE OVERHEAT BUZZER

CONTINUED ON NEXT PAGE ➡

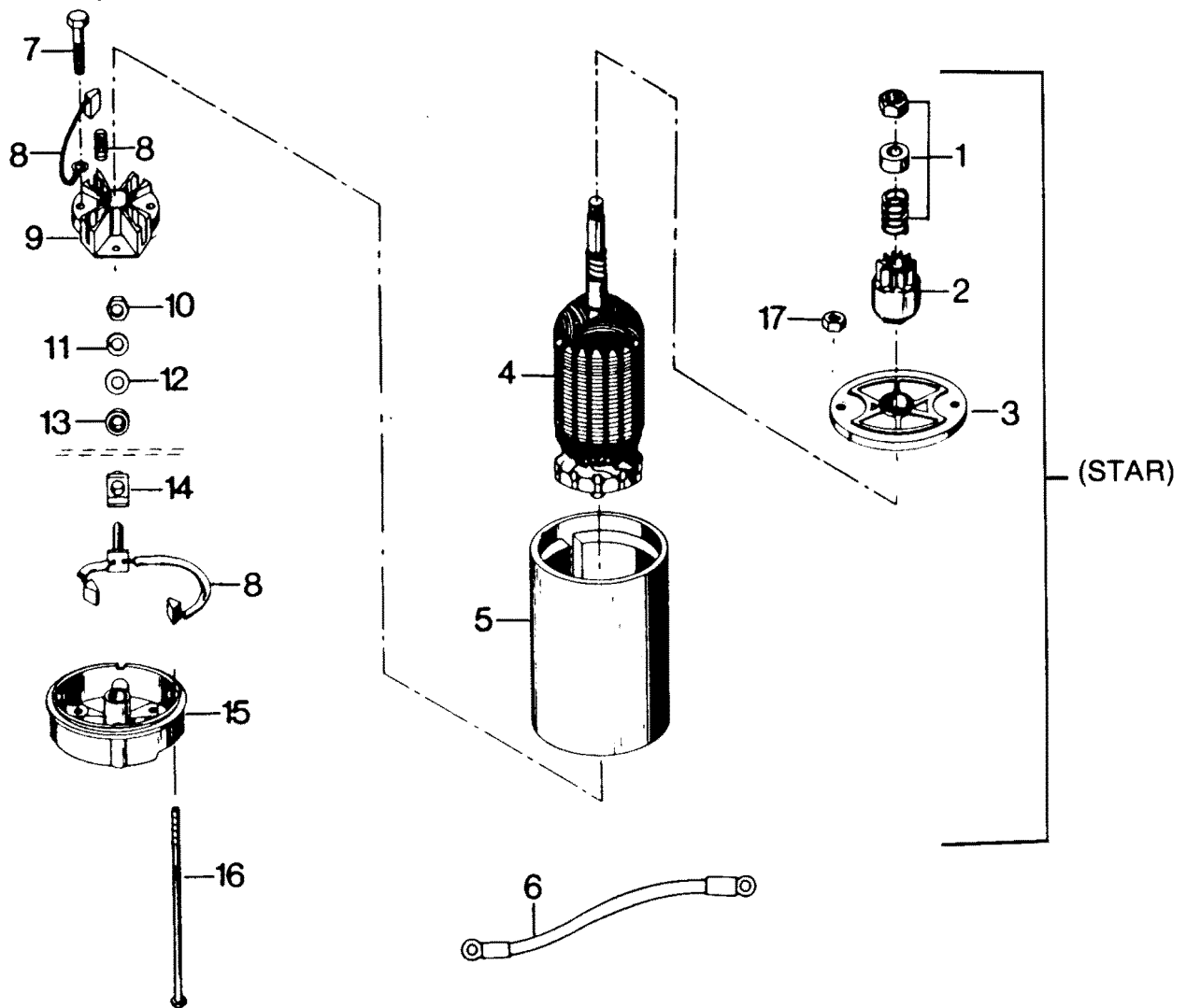
ALTERNATOR AND ELECTRICAL COMPONENTS



ALTERNATOR AND ELECTRICAL COMPONENTS

REF. NO.	PART NO.	SYM.	QTY.	DESCRIPTION
75	F1741		2	PAN HD SCREW, 8-3/4
76	F5H073		1	OVERHEAT BUZZER (ACCESSORY ITEM)

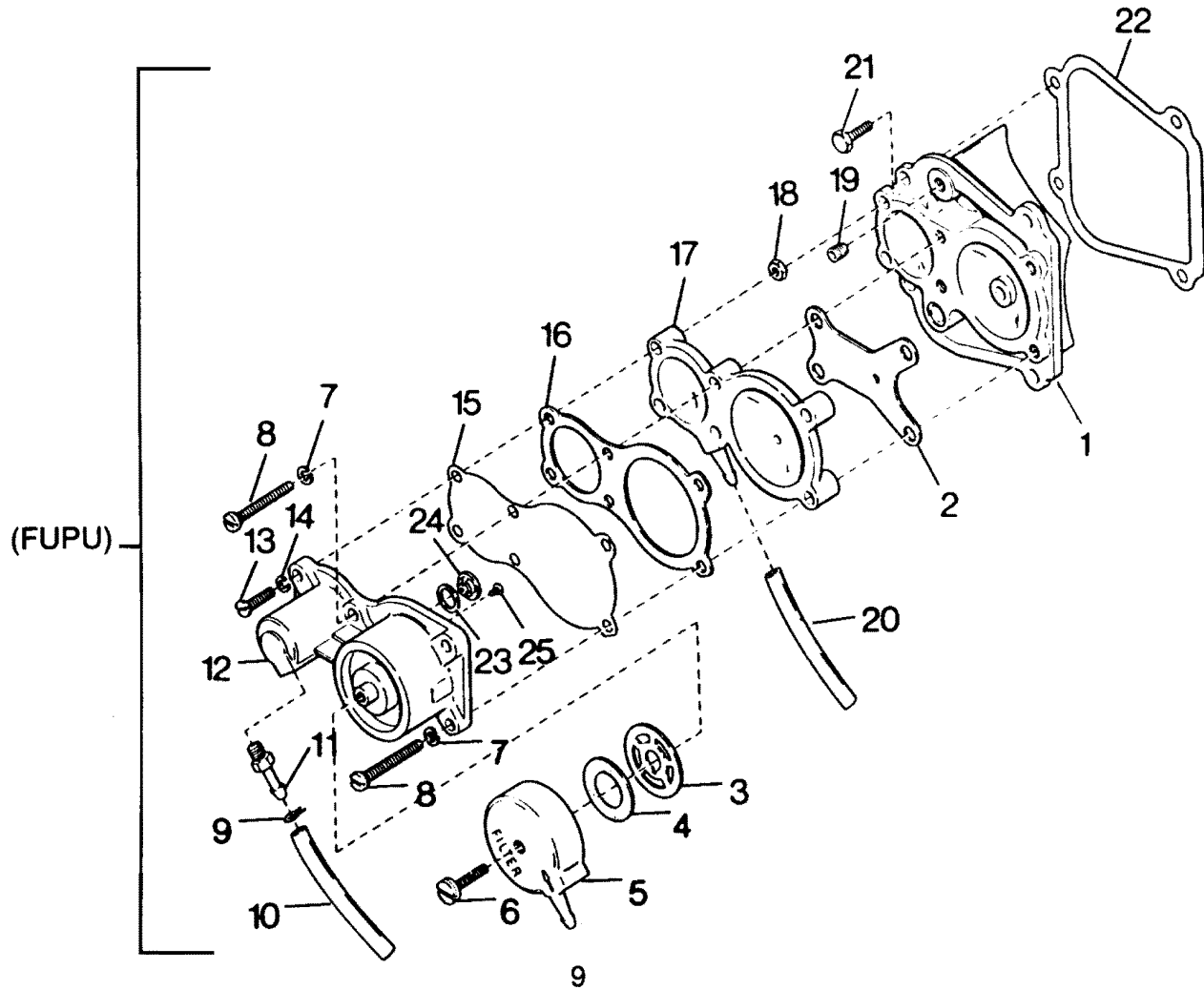
ELECTRIC STARTER



ELECTRIC STARTER

REF. NO.	PART NO.	SYM.	QTY.	DESCRIPTION
1	F15181		1	DRIVE KIT
2	F15182		1	DRIVE PINION
3	F15154		1	CAP, DRIVE END
4	F15183		1	ARMATURE
6	F85908-1		1	WIRE, STARTER
7	F15158		2	SCREW, BRUSH HOLDER
8	F15164		1	BRUSH KIT
9	F15157		1	HOLDER, BRUSH
10	F15162		1	NUT
11	F15152		1	LOCKWASHER
12	F15161		1	PLAIN WASHER
13	F15160		1	INSULATOR WASHER
14	F15159		1	INSULATOR
15	F15179		1	CAP COMMUTATOR END W/BRUSHES AND BRUSH HOLDER
16	F15184		2	THRU BOLT
17	F7008		2	STOP NUT
-	F575955		1	STARTER MOTOR COMPLETE

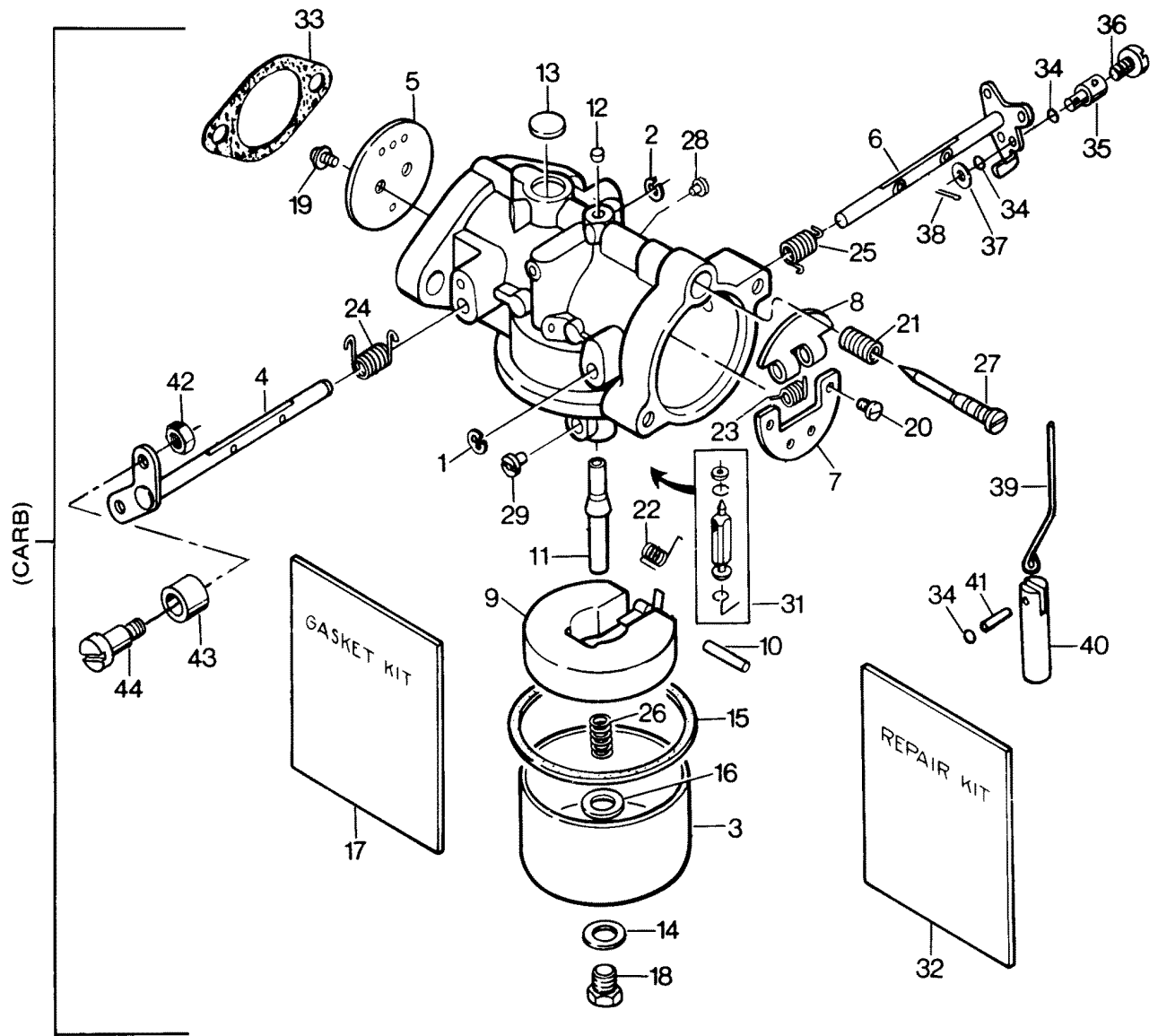
FUEL PUMP



FUEL PUMP

REF. NO.	PART NO.	SYM.	QTY.	DESCRIPTION
1	FA658746		1	COVER, FUEL PUMP W/LITERATURE
2	F658803		1	GASKET, SPACER PLATE
3	F438617		1	GASKET, FUEL SEDIMENT BOWL
4	F438653		1	SCREEN, FUEL PUMP
5	F438500		1	BOWL, FUEL SEDIMENT
6	F438165		1	SCREW, FUEL SEDIMENT BOWL
7	F8083		4	LOCKWASHER
8	F1504		4	SLOTTED FIL SCREW, 1/4 - 20 X 1-1/4 S.S.
9	F97772		2	CLAMP, FUEL LINE
10	F434754		1	FUEL LINE, PUMP TO CARBURETOR
11	F438801		1	ELBOW
12	FA438431		1	BODY, FUEL PUMP W/ILLUS.
13	F1648		2	SCREW, 10 - 24 X 3/4 PAN HD SCREW
14	F1975		2	LOCKWASHER
15	F438747		1	DIAPHRAGM, FUEL PUMP
16	F438760		1	GASKET, FUEL PUMP
17	F658836		1	SPACER, FUEL PUMP
18	F1473		2	NUT, 10 - 24 S.S.
19	F1789		1	PIPE PLUG, - 1/16 - 27
20	F658758		1	HOSE, IMPULSE
21	F1540		3	HEX HD SCREW, 1/4 - 20 X 5/8 GR. 5
22	F40223		1	GASKET, TRANSFER PORT COVER
23	F84792		1	GASKET, FUEL PUMP VALVE
24	F177330		3	VALVE, FUEL PUMP
25	F1860		2	SLOTTED BINDING HEAD SCREW, 6 - 32 X 1/4
-	FC658746		1	FUEL PUMP COMPLETE INCLUDES ITEMS 1, 2, 7, 8 & 11 THRU 20

CARBURETOR

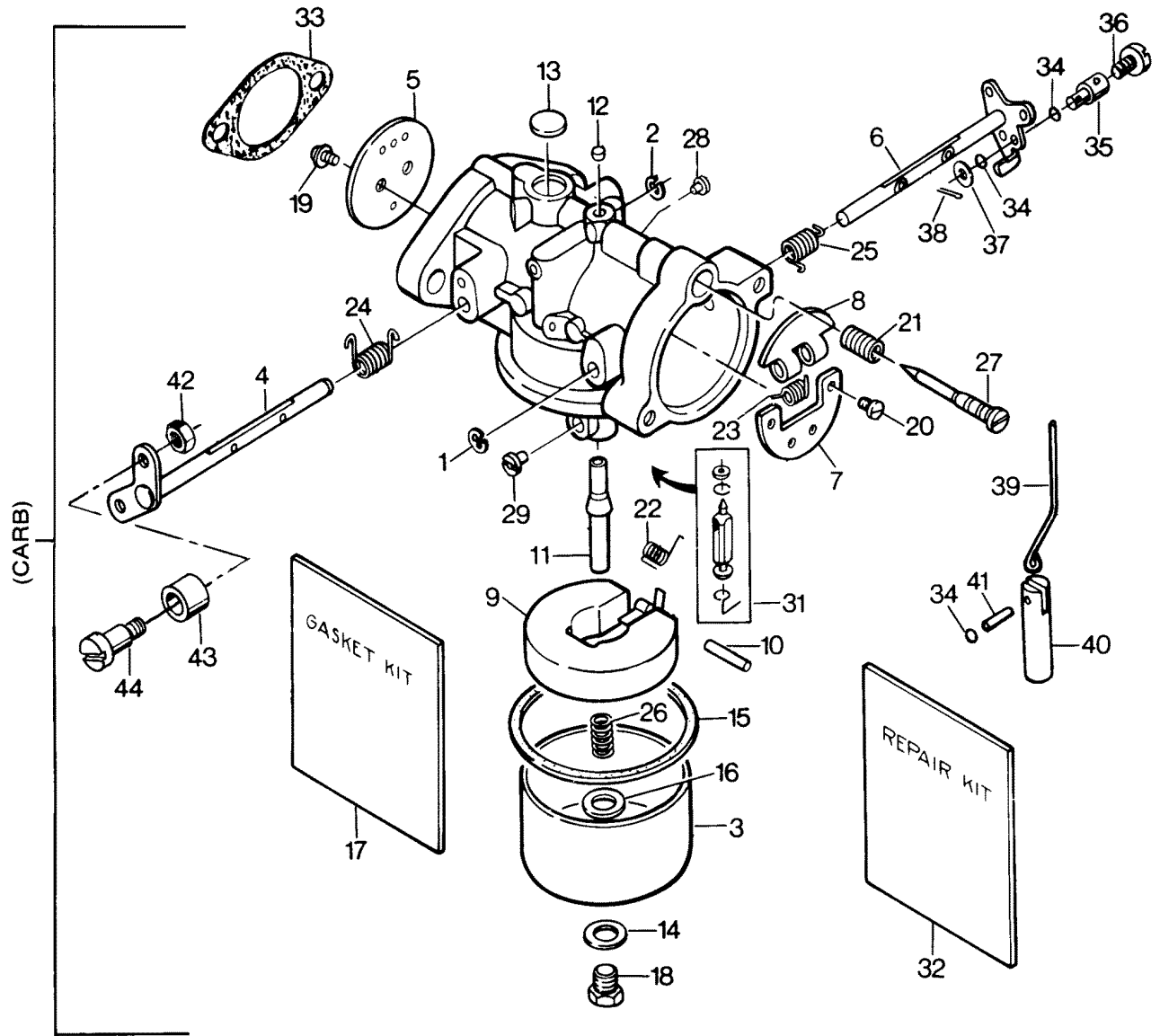


CARBURETOR

REF. NO.	PART NO.	SYM.	QTY.	DESCRIPTION
-	F628061-1		1	CARBURETOR ASSEMBLY (WE-17)
1	F10218		1	RING
2	FO16620		1	SHAFT RETAINER RING
3	F10127		1	FUEL BOWL
4	F10193		1	THROTTLE SHAFT ASSEMBLY
5	F10207		1	THROTTLE VALVE
6	F10159		1	CHOKE SHAFT ASSEMBLY
7	F10128		1	CHOKE VALVE
8	F10129		1	CHOKE RELIEVING VALVE
9	F10135		1	FLOAT ASSEMBLY
10	F10208		1	PIN, FLOAT ASSEMBLY
11	F10137		1	NOZZLE
12	F10152		4	CUP PLUG
13	F10153		1	WELCH PLUG
14	F10067		1	BOWL RETAINER GASKET
15	FO15623		1	BOWL RING GASKET
16	F10206		1	BOWL RETAINER GASKET
17	FK10209		1	GASKET KIT. INCLUDES ALL ITEMS MARKED WITH A DOUBLE ASTERISK (**).
18	F10205		1	BOWL RETAINER SCREW
19	F10155		2	VALVE SCREW
20	F10140		2	VALVE SCREW
21	F10141		1	IDLE NEEDLE SPRING
22	F10142		1	FLOAT SUPPORT SPRING
23	F10130		1	CHOKE VALVE SPRING
24	F10192		1	THROTTLE RETURN SPRING
25	F10191		1	CHOKE RETURN SPRING
26	F10204		1	NOZZLE SPRING
27	FO14166		1	NEEDLE, IDLE
28	F10197		1	JET (.046)
29	F10229		1	MAIN FUEL JET (.084)
-	F10230		-	JET SIZE. (.082) 2500 - 5000 FT.
-	F10203		-	JET SIZE. (.080) 5000 - 7500 FT.
-	F10210		-	JET SIZE. (.078) 7500 - 10,000 FT.
31	FK10120-1		1	FLOAT KIT, VALVE & SEAT
32	FK10202		1	REPAIR KIT. INCLUDES ALL ITEMS MARKED WITH A SINGLE ASTERISK (*).
33	F40906-1		1	CARBURETOR GASKET
34	F184579		3	SEAL, CHOKE ARM SWIVEL
35	F184033-1		1	SWIVEL, CHOKE ROD
36	F1059		1	FILL HD SCREW 6 - 32 X 14
37	F8088		2	PLAIN WASHER
38	F1014		1	COTTER PIN
39	F452925		1	CHOKE SOLENOID ROD

CONTINUED ON NEXT PAGE ➡

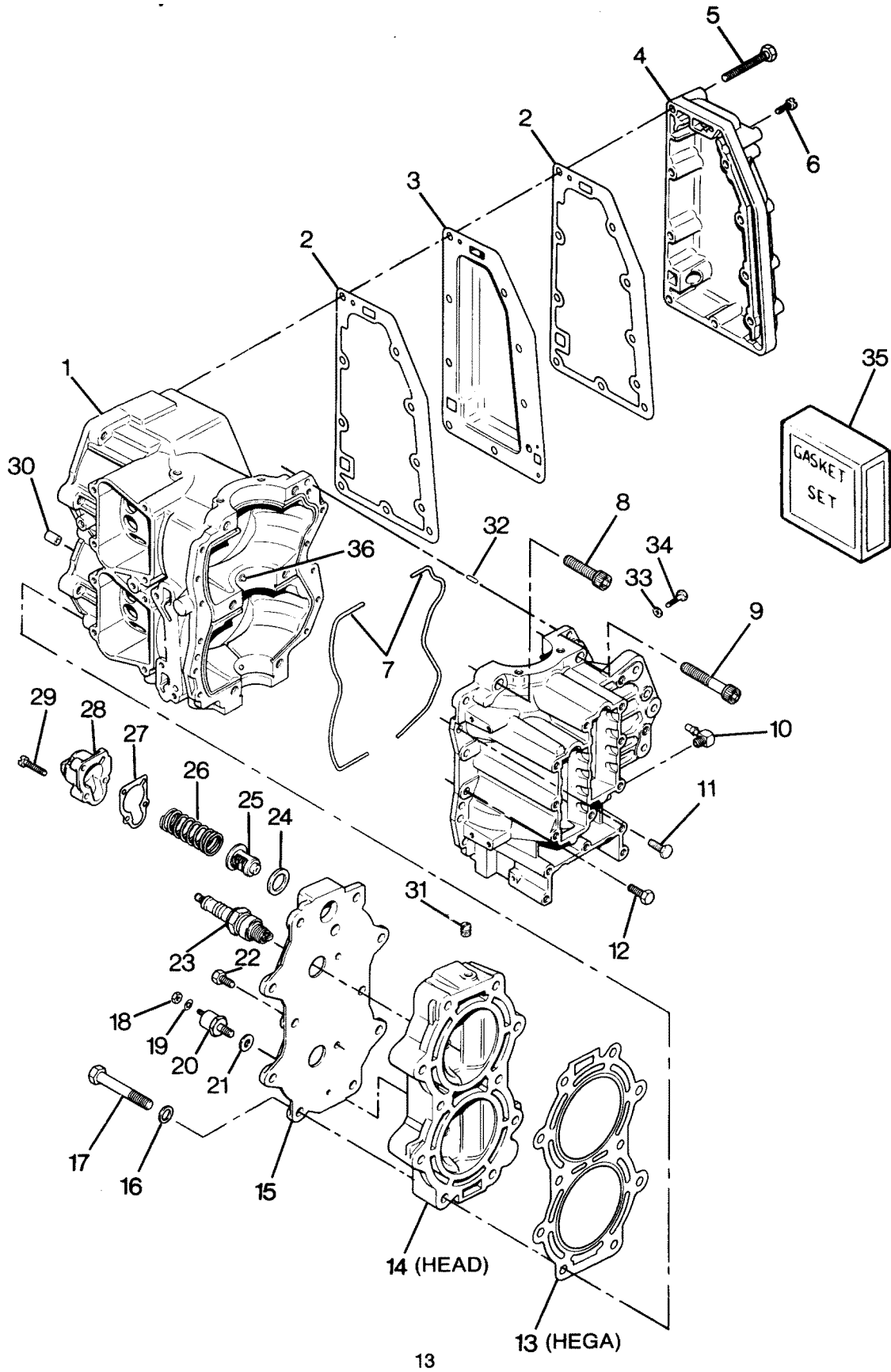
CARBURETOR



CARBURETOR

REF. NO.	PART NO.	SYM.	QTY.	DESCRIPTION
40	F391926-1		1	CHOKE SOLENOID PLUNGER
41	F2033		1	GROVE PIN
42	F1997		1	STOP NUT 8 - 32
43	F92759		1	ROLLER
44	F333316		1	THROTTLE ROLLER SHAFT

POWER HEAD

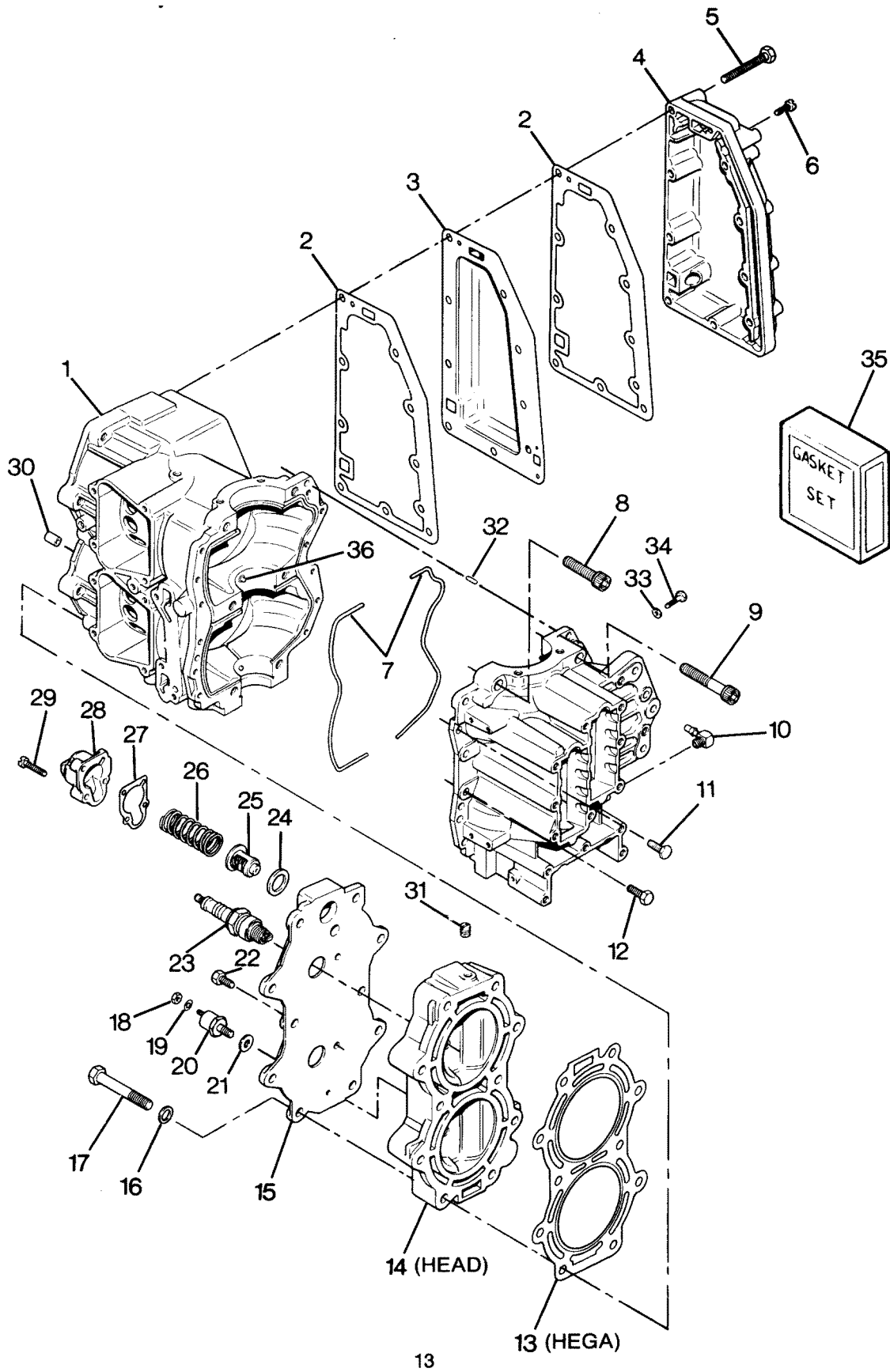


POWER HEAD

REF. NO.	PART NO.	SYM.	QTY.	DESCRIPTION
1	FA658010		1	CYLINDER W/CRANKCASE COVER AND DEFLECTOR PLATE
-	FC629010		1	SHORT BLOCK. INCLUDES ALL ITEMS MARKED WITH AN (*). ALSO REFER TO CRANKSHAFT PAGE.
2	F40154-4		2	GASKET, EXHAUST PORT PLATE
3	F40151-2		1	PLATE, EXHAUST PORT
4	F658152		1	COVER, EXHAUST PORT
5	F1971		9	SCREW, EXHAUST PORT, 1/4-20 X 2 1/8 HEX HM.
6	F1974		2	SCREW, TERMINAL BLOCK MTG., #10-24 X 5/8 SL PAN HM
7	F184122-1		1	SEAL, CRANKCASE PARTING LINE
8	F1879		5	SCREW, CRANKCASE COVER TO CYLNDR 3/8 - 16 X 1 5/8 HX SOC HC
9	F1646		1	SCREW, CRANKCASE COVER TO CYLINDER 3/8 - 16 X 2 1/4 H SOC
10	F463314		1	ELBOW, CHECK VALVE
11	F1922		3	SCREW, CRANKCASE TO CYLINDER, SMALL HD. 1/4 - 20 X 5/8
12	F1914		9	SCREW, CRANKCASE TO CYLINDER, LARGE HD. 1/4 - 20 X 5/8
13	F658529		1	GASKET, CYLINDER HEAD
14	F658518		1	HEAD, CYLINDER
15	F658995		1	COVER, CYLINDER HEAD
16	F8039		10	WASHER, CYLINDER HEAD BOLTS
17	F2091		10	SCREW, CYLINDER HEAD & COVER TO CYLINDER
18	F1647		1	HEX NUT
19	F8056		1	LOCKWASHER
20	F629449		1	THERMOSWITCH W/LOCKSWASHER, NEX NUT & WASHER
21	F295175		1	WASHER, THERMOSWITCH
22	F1502		2	SCREW, CYLINDER HEAD COVER TO CYLINDER HEAD
23	33-82371M		2	SPARK PLUG, UL-81-J
24	F658504		1	WASHER, THERMOSTAT
25	F97068-2		1	THERMOSTAT
26	F658268		1	SPRING, THERMOSTAT
27	F97067		1	GASKET, THERMOSTAT COVER
28	F658066		1	COVER, THERMOSTAT
29	F1995		3	SCREW, THERMOSTAT COVER TO CYLINDER HEAD #10-24 X 1
30	F658418		1	TUBE, COOLING SYSTEM
31	F19109		1	PLUG
32	F8559		2	PIN, DOWEL
33	F8096		1	LOCKWASHER, SPRING
34	F1857		1	SCREW, HEX CAP, 5/16 - 18 X 5/8
35	FG1024		1	GASKET SET INCLUDES ITEMS MARKED W/(ë):
-	F40154-4		3	GASKET, EXHAUST PORT PLATE
-	F40223		1	GASKET, TRANSFER PORT COVER
-	F40833-4		1	GASKET, IDLE RELIEF COVER

CONTINUED ON NEXT PAGE ➡

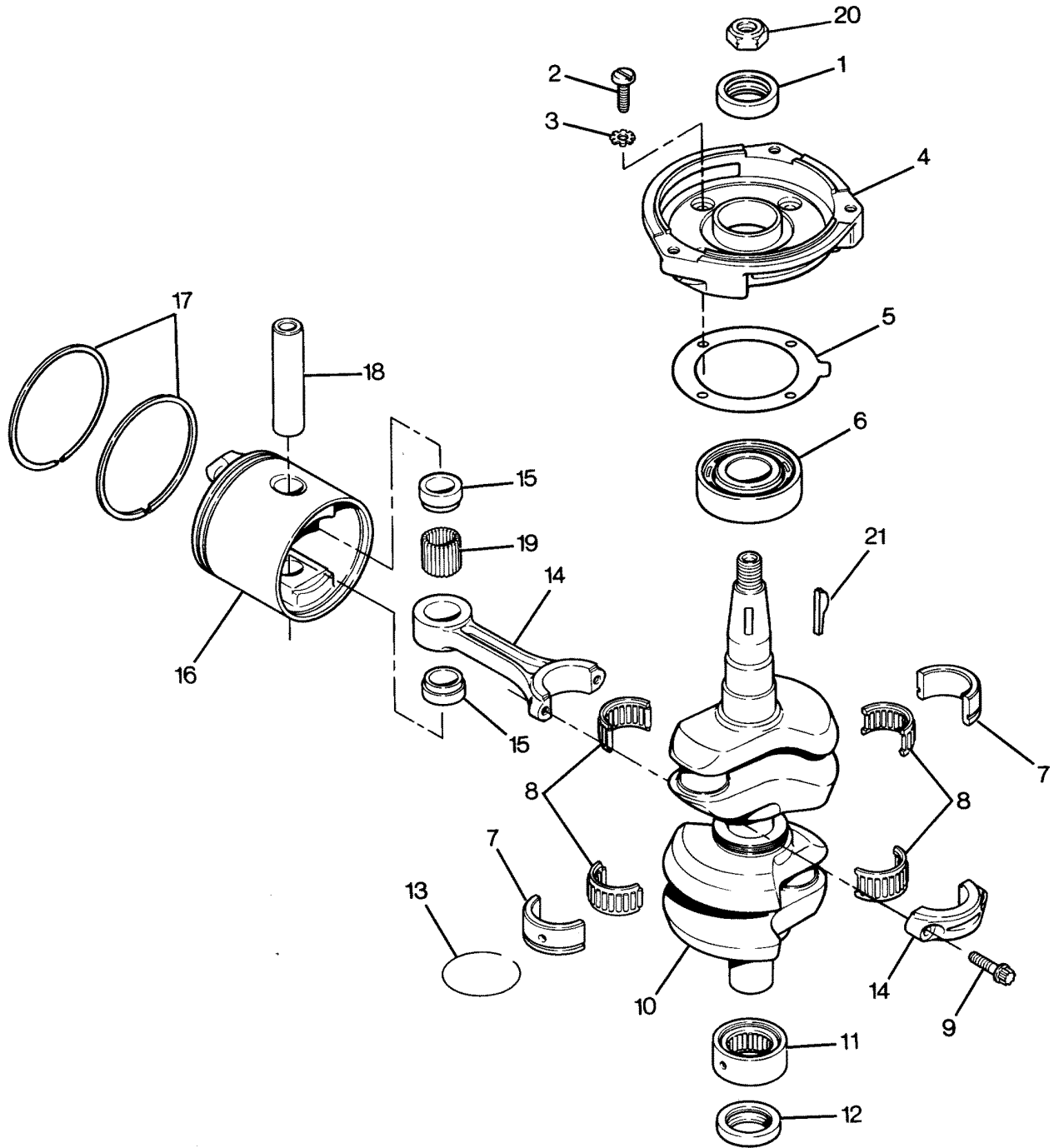
POWER HEAD



POWER HEAD

REF. NO.	PART NO.	SYM.	QTY.	DESCRIPTION
-	F40906-1		1	GASKET, CARBURETOR
-	F93472-1		1	GASKET, CYLINDER DRAIN COVER
-	F93748-1		1	GASKET, CYLINDER DRAIN REED PLATE
-	F97067		1	GASKET, THERMOSTAT COVER
-	F658529		1	GASKET, CYLINDER HEAD
-	F184122-1		1	SEAL, CRANKCASE PARTING LINE
-	F307279-2		1	GASKET, CYLINDER EXHAUST - UPPER
-	F40279-1		1	GASKET, CYLINDER EXHAUST - LOWER
-	F366277		1	GASKET, BEARING CAGE
-	F433168		1	GASKET, CARBURETOR ADAPTER
-	F433406		1	GASKET, DEFLECTOR PLATE
36	F40909		1	PIN, LOCATING

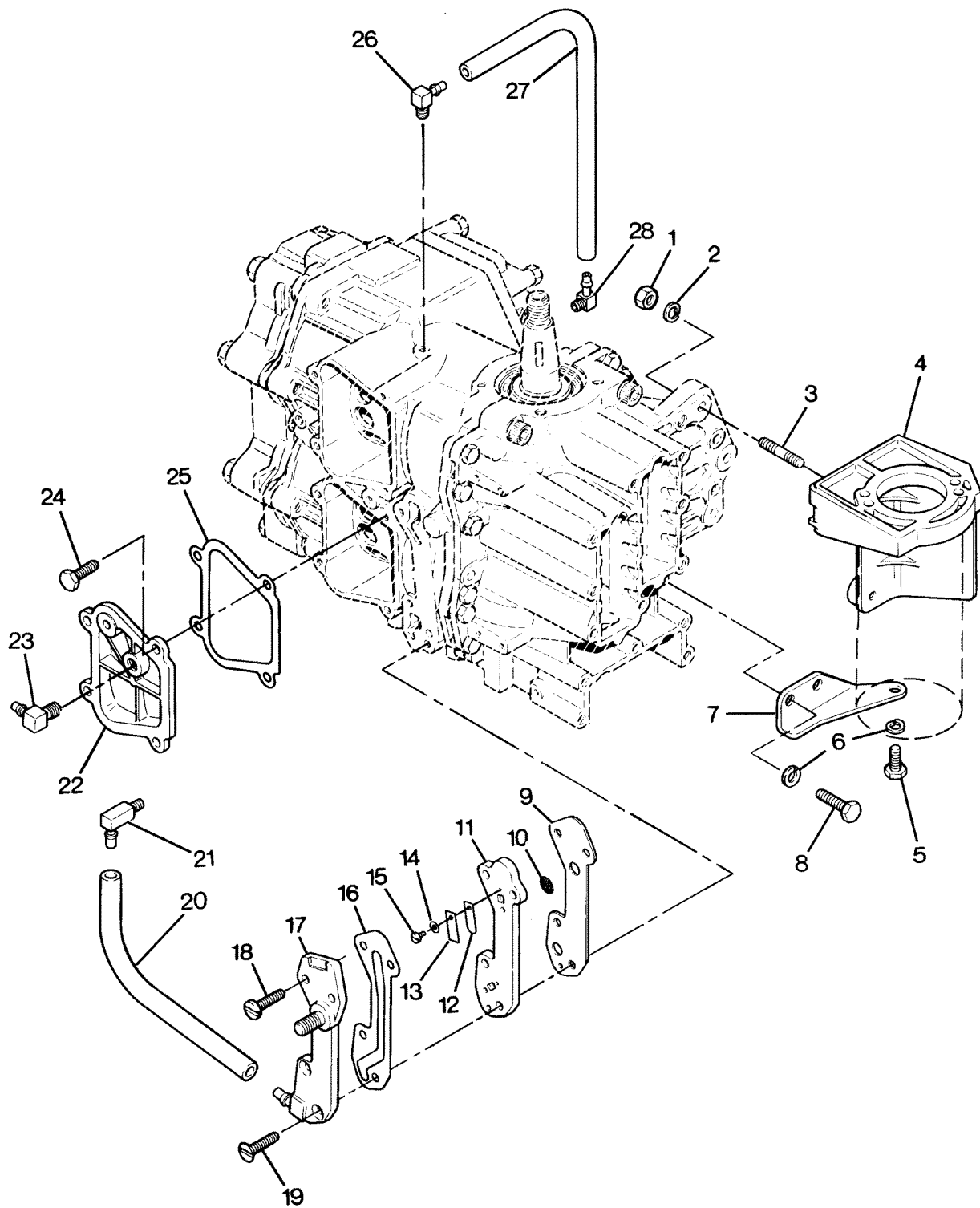
CRANKSHAFT & PISTON



CRANKSHAFT & PISTON

REF. NO.	PART NO.	SYM.	QTY.	DESCRIPTION
1	F40146-1		1	SEAL, CRANKSHAFT, UPPER
2	F1441		4	SCREW, BEARING CAGE TO CYLINDER, 1/4 - 20 X 7/8, PAN HD
3	F8060		4	WASHER, EXTERNAL TOOTH LOCK
4	FA466144		1	CAGE, CRANKSHAFT BEARING W/CRANKSHAFT SEAL (401146)
5	F366277		1	GASKET, BEARING CAGE, UPPER
6	F366013		1	BEARING, CRANKSHAFT, UPPER MAIN
7	FA40655		1	RACE, CRANKSHAFT CENTER MAIN BEARING W/SNAP RING (40410)
8	FK85228-1		3	CAGE, BEARING WITH ROLLERS (16 PER SET)
9	F85634-2		4	SCREW, CONNECTING ROD
10	FA435018		1	CRANKSHAFT W/UPPER CRANKSHAFT BEARING (366013)
11	F90014		1	BEARING, CRANKSHAFT, LOWER MAIN
12	F40146-1		1	SEAL, CRANKSHAFT, LOWER
13	F40410		1	SNAP RING
14	600-818052A4		2	ROD, CONNECTING W/CAP AND SCREWS (85634-2)
15	F335215		4	SPACER, PISTON PIN
16	F658015		2	PISTON (STANDARD)
-	FSA658015		2	PISTON (.010 OVER)
-	700-818130A1		2	PISTON (.030 OVER)
17	FA658260		2	RING SET (STANDARD)
-	FSA658260		2	RING SET (.010 OVER)
-	39-818131A1		2	RING SET (.030 OVER)
18	F658017		2	PIN, PISTON
19	F335217-1		2	BEARING, PISTON PIN
20	F1920		1	NUT, HEX, 5/8 - 18
21	F92498		1	KEY, FLYWHEEL

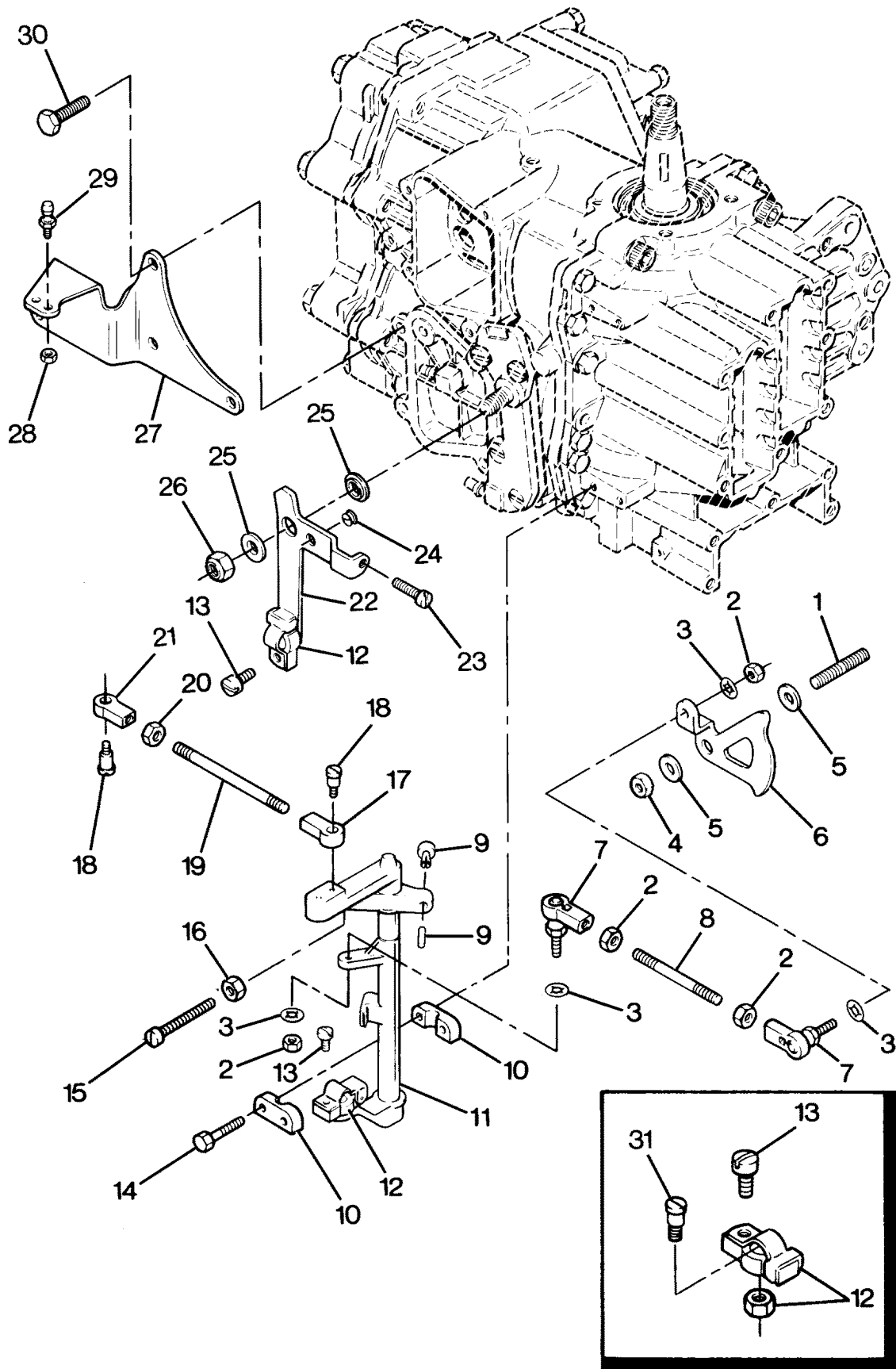
FUEL RECIRCULATION COMPONENTS



FUEL RECIRCULATION COMPONENTS

REF. NO.	PART NO.	SYM.	QTY.	DESCRIPTION
1	F1515		3	NUT, HEX, 5/16 - 18
2	F8096		4	LOCKWASHER, SPRING
3	F307211		3	STUD
4	F345427-1		1	BRACKET, STARTER MOUNTING
5	F1854		1	SCREW, HEX SLOT HD, 1/4 - 20 X 5/8
6	F8083		3	LOCKWASHER, SPRING
7	F575675		1	BRACKET, STARTER MOUNTING, LOWER
8	F1854		2	SCREW, 1/4 - 20 X 5/8
9	F93748-1		1	GASKET, CYLINDER DRAIN REED PLATE
10	F93811		2	SCREEN, CYLINDER DRAIN REED PLATE
11	F3A433757		1	REED PLATE, CYLINDER DRAIN W/#1286, #8003, #93920, #18160-3 AND #93811
12	F18160-3		2	REED, CYLINDER DRAIN
13	F93920		2	REED STOP, CYLINDER DRAIN
14	F8003		2	WASHER, PLAIN
15	F1286		2	SCREW, PAN HD., 4 - 40 X 3/16
16	F93472-1		1	GASKET, CYLINDER DRAIN COVER
17	FA433471		1	COVER, CYLINDER DRAIN W/FITTING
18	F1446		2	SCREW, SLOTTED PAN HD., 1/4 - 20 X 1
19	F1136		2	SCREW, FLAT HD., 1/4 - 20 X 1
20	F433254		1	HOSE
21	F404801		1	FITTING
22	FA411222		1	COVER, TRANSFER PORT W/LITERATURE
23	F84314-2		1	ELBOW, FUEL LINE
24	F1922		5	SCREW, HEX HD., 1/4 - 20 X 5/8
25	F40223		2	GASKET, TRANSFER PORT COVER
26	F84314-2		1	ELBOW, FUEL
27	F658758		1	HOSE
28	F463314		1	ELBOW W/CHECK VALVE

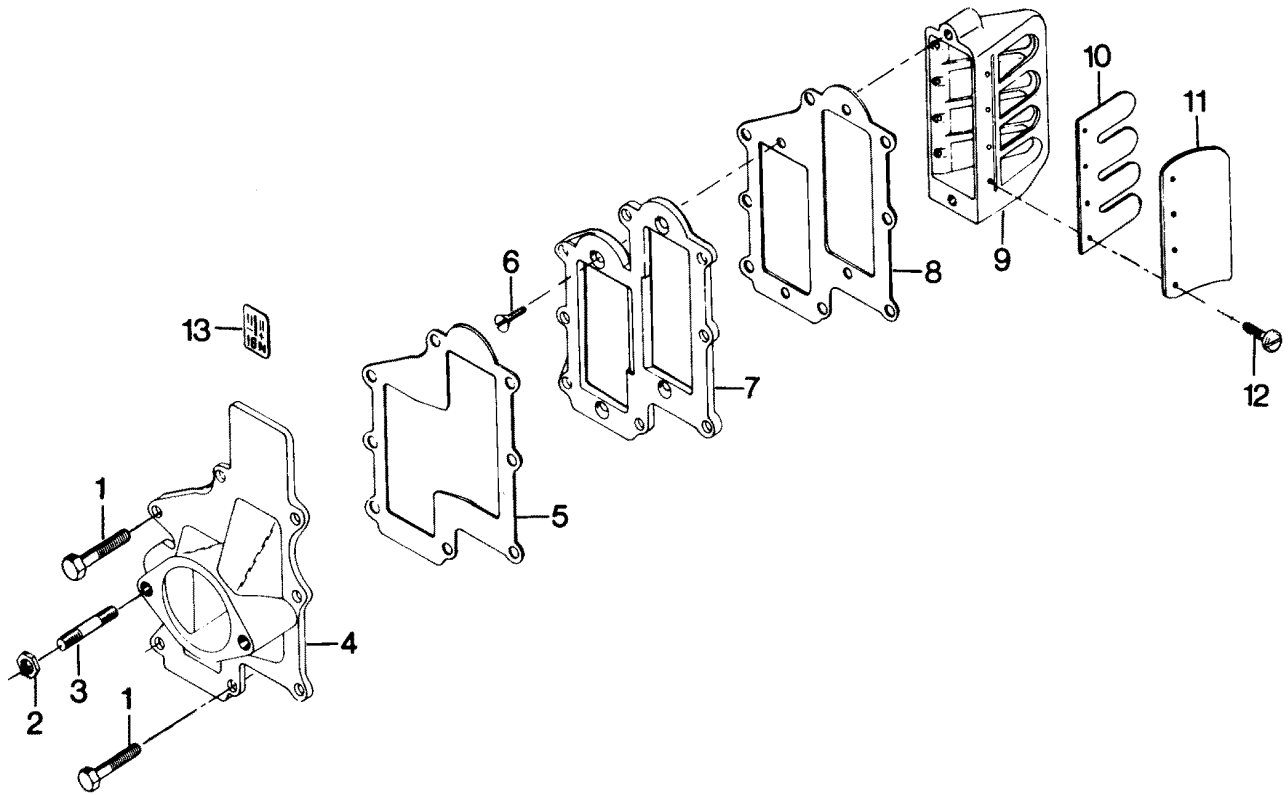
SHIFT AND THROTTLE COMPONENTS



SHIFT AND THROTTLE COMPONENTS

REF. NO.	PART NO.	SYM.	QTY.	DESCRIPTION
1	F433209-1		1	STUD, THROTTLE CAM
2	F1513		4	NUT, HEX, 10 - 32
3	F8058		4	WASHER, TOOTH, EXTERNAL
4	F7008		1	NUT, ELASTIC, STOP, 1/4 - 20
5	F269319		2	BEARING, THROTTLE CAM
6	F433192		1	CAM, THROTTLE
7	817747--1		2	BEARING W/BALL JOINT
8	F85502		1	LINK, THROTTLE
9	F1727		1	RIVET, PLASTIC
10	F433689		4	BEARING, TOWERSHAFT
11	FK433838		1	TOWERSHAFT W/#K405020, #1052, #1341 AND LITERATURE
12	FK405020		1	SWIVEL W/#405457 AND NUT
13	F1556		2	SCREW, FILL HD. W/LOCKWASHER, 10 - 24 X 3/8
14	F1995		4	SCREW, FILL HD., 10 - 24 X 1
15	F1052		1	SCREW, FILL HD., 1/4 - 20 X 1
16	F1341		1	NUT, HEX
17	F84036		1	BEARING, SPARK CONTROL, L.H.
18	F84026		2	SWIVEL, SPARK CONTROL
19	F269445-1		1	LINK, SPARK CONTROL
20	F1473		1	NUT, HEX, 10 - 24
21	F84035-2		1	BEARING, SPARK CONTROL, R.H.
22	817793A1		1	SHIFT ARM W/#K405020 AND #85610
23	F2207		1	SCREW, FILL HD., 1/4 - 20 X 3/4
24	F85610		1	BEARING
25	F269052		2	BEARING, SHIFT ARM
26	F7004		1	NUT, STOP, 7/16 - 20
27	817746A1		1	BRACKET, CONNECTOR STUD W/LITERATURE ORIGINAL FORCE P/N A267371-1
28	F1804		2	NUT, STOP 10 - 32
29	F98273		2	STUD, ROD END CONNECTOR
30	F1864		3	SCREW, HEX CAP, 1/4 - 20 X 3/4
31	F405457		1	SCREW, PIVOT

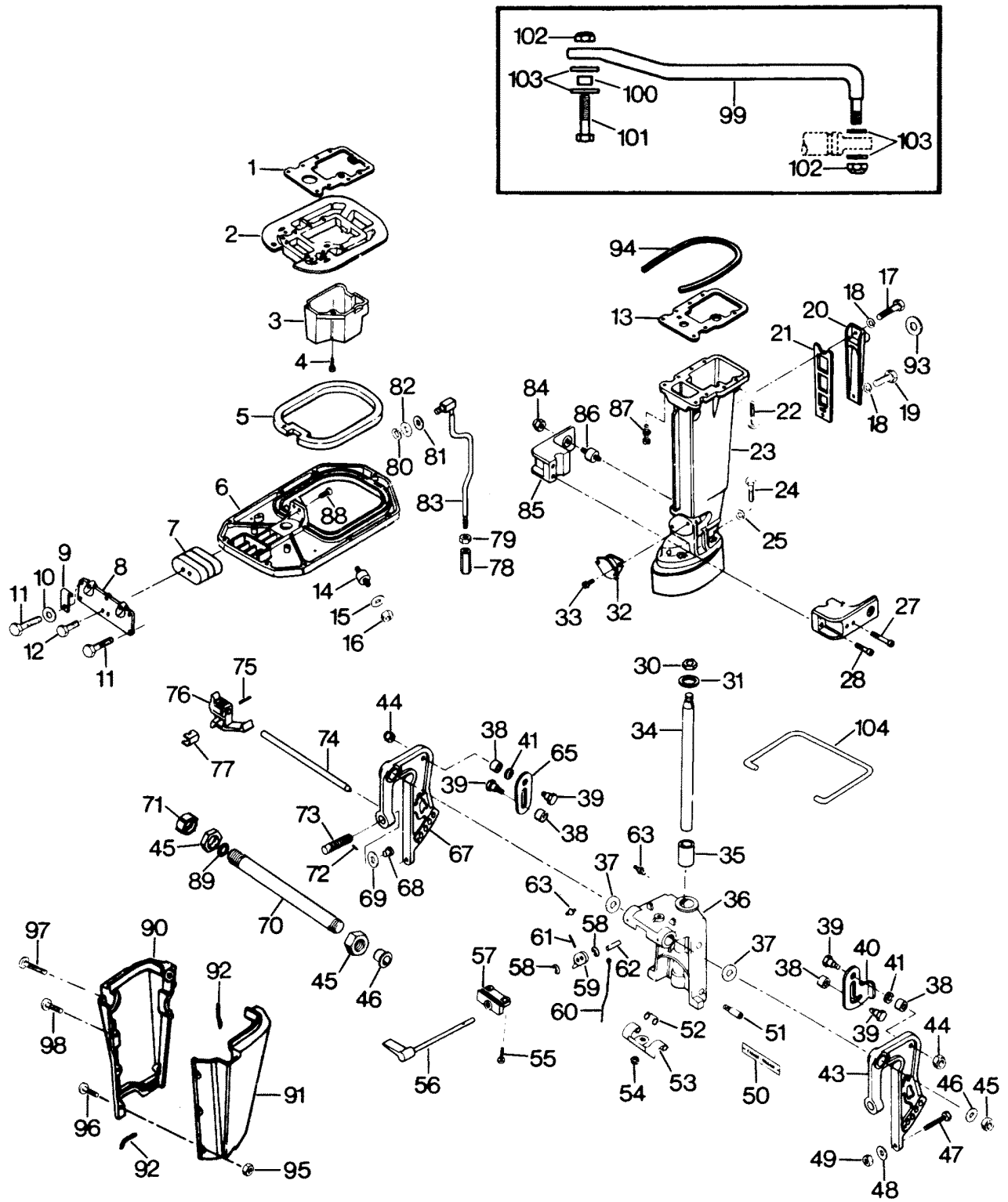
REED PLATE



REED PLATE

REF. NO.	PART NO.	SYM.	QTY.	DESCRIPTION
1	F2008		8	HEX HD SCREW, 1/4 - 20 X 7/8
2	F1515		2	HEX NUT, 5/16 - 18
3	F40209		2	CARBURETOR STUD
4	FA433167		1	CARBURETOR ADAPTER FLANGE W/ILLUS. 3
5	F433168		1	CARBURETOR ADAPTER GASKET
6	F1141		4	FLAT HD SCREW, 10 - 24 X 1/2
7	F433404		1	DEFLECTOR PLATE
8	F433406		1	DEFLECTOR PLATE GASKET
9	FA658158		2	REED PLATE W/ILLUS. 10, 11 AND 12
10	F316160		4	REED
11	F88161-4		4	REED STOP
12	F1755		16	ROUND HD SCREW W/LOCKWASHER, 6 - 32 X 1/4
13	37-817792A1		1	DECAL, TIMING W/LITERATURE ORIGINAL FORCE P/N A 433387-1

MOTOR LEG

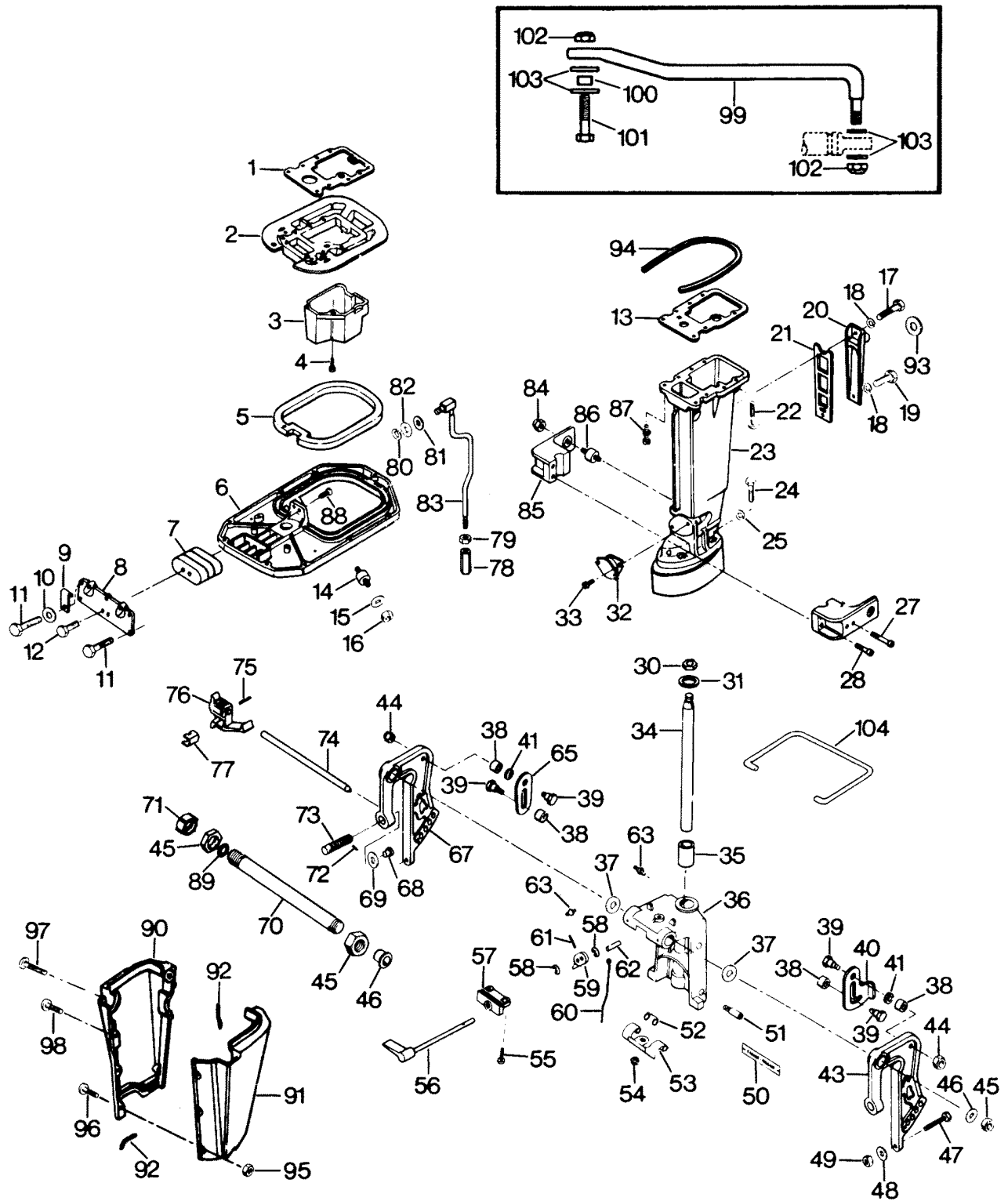


MOTOR LEG

REF. NO.	PART NO.	SYM.	QTY.	DESCRIPTION
1	F307279-2		1	CYLINDER EXHAUST GASKET UPPER
2	F658680		1	SPACER PLATE
3	F307660-1		1	LEG EXHAUST TUBE
4	F1851		3	FILL HD M. SCREW W/LOCKWASHER, 10 - 24 X 1/2
5	26-817766A1		1	SEAL, KINGPIN PLATE W/LITERATURE ORIGINAL FORCE P/N A 307989-1
6	FS307940		1	KINGPIN PLATE
7	F203965		1	SHOCK MOUNT UPPER
8	F433946		1	SHOCK MOUNT UPPER COVER
9	F286772-1		1	CLAMP
10	F8025		1	PLAIN WASHER
11	F1922		5	HEX CAP SCREW, 1/4 - 20 X 5/8
12	F1211		2	HEX HD SCREW W/LOCKWASHER, 1/4 - 28 X 5/8
13	F40279-1		1	CYLINDER EXHAUST GASKET LOWER
14	F307962		2	SHOCK MOUNT - SIDE - UPPER
15	F8038		2	PLAIN WASHER
16	F1346		2	HEX NUT, 3/8 - 16
17	F1849		1	HEX HD SCREW, S.S., 1/4 - 20 X 1-3/8
18	F8083		2	SPRING LOCKWASHER
19	F1199		1	HEX HD SCREW, 1/4 - 20 X 1
20	FA89832-2		1	MOTOR LEG EXHAUST COVER W/ILLUS. 17 & 19
21	F40833-4		1	MOTOR LEG EXHAUST COVER GASKET
22	F1905		1	FILL HD SCREW, 1/4 - 20 X 3-7/16
23	F435133-1		1	MOTOR LEG
24	F1929		4	HEX HD CAP SCREW, S.S., 3/8 - 16 X 1-1/8
25	F8065		4	SPRING LOCKWASHER
26	F433973		1	SHOCK MOUNT LOWER COVER - PORT
27	F1635		2	HEX SOCKET HD CAP SCREW, S.S., 3/8 - 16 X 3-1/2
28	F1636		2	HEX SOCKET HD CAP SCREW, S.S., 3/8 - 16 X 1-1/4
30	F84280		1	KINGPIN NUT
31	F89011		1	SWIVEL BRACKET WASHER
32	F183346-1		1	SHOCK MOUNT LOWER
33	F1129		4	FILL HD SCREW, S.S., 5/16 - 18 X 1/2
34	819331A2		1	KINGPIN
35	F191169-1		2	SWIVEL BRACKET BEARING
36	FA613072		1	SWIVEL BRACKET W/ILLUS. 35 & 63
37	F522286		2	STERN BRACKET FRICTION WASHER
38	F269929		4	SPACER, TILT STOP
39	F366350-1		4	TILT STOP PIVOT
40	F366426		1	TILT STOP - PORT
41	F1666		2	BOWED SPRING WASHER
43	F522532-1		1	STERN BRACKET - PORT
44	F7007		4	NUT

CONTINUED ON NEXT PAGE ➡

MOTOR LEG

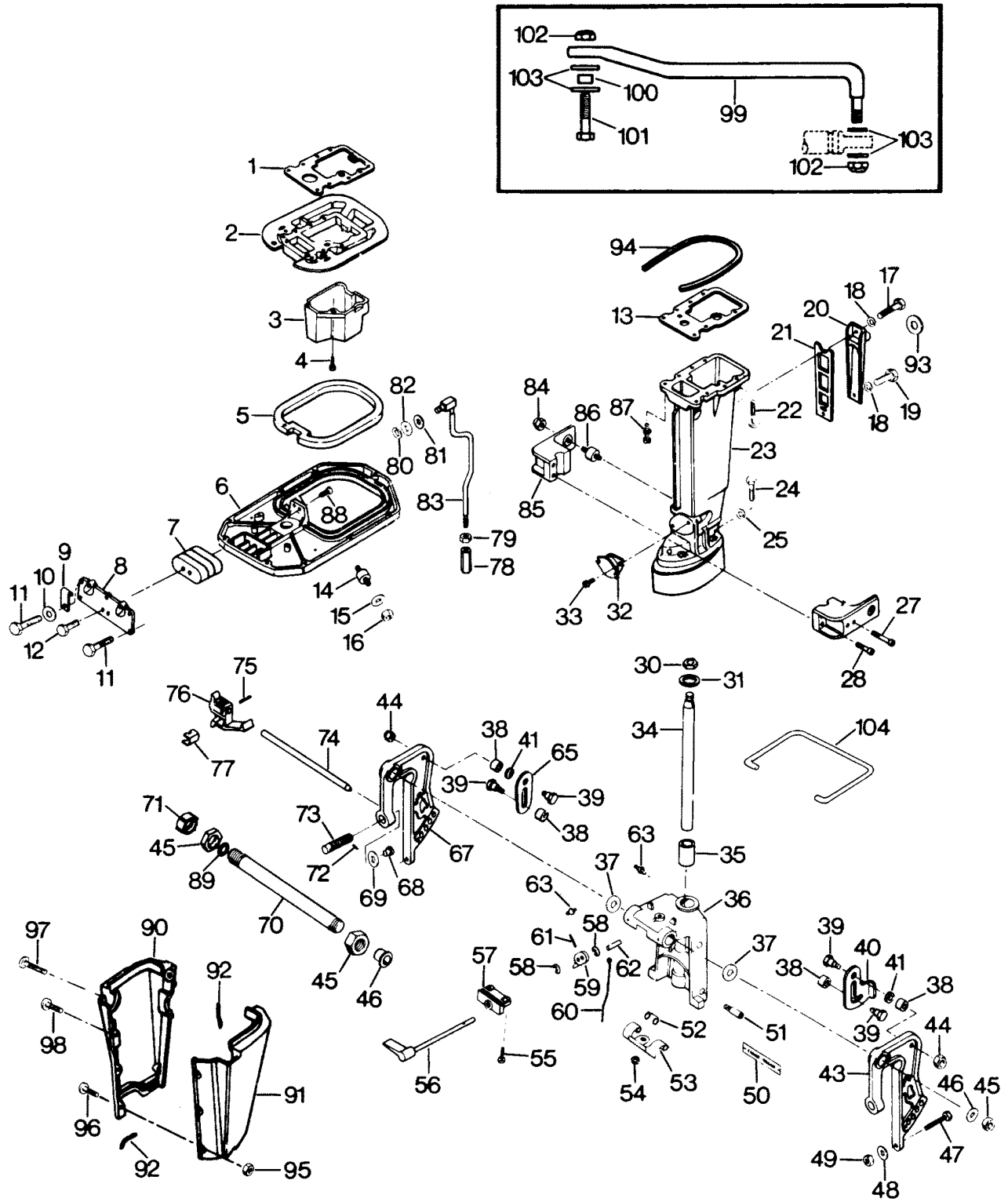


MOTOR LEG

REF. NO.	PART NO.	SYM.	QTY.	DESCRIPTION
45	F1600		2	LOCK NUT, PIVOT TUBE
46	F9052		2	PLASTIC PLUG, PIVOT TUBE
47	F1593		2	HEX HD SCREW, S.S., 3/8 - 16 X 3
48	F1904		2	PLAIN WASHER
49	F1346		2	HEX NUT, S.S., 3/8 - 16
50	F544390-1		1	DECAL, TILT LOCK
51	F366886		2	PIN
52	F366300		2	REVERSE LOCK SPRING
53	F366349		1	REVERSE LOCK
54	F1669		1	STOP NUT
55	F1733		2	PAN HD SCREW, 10 -24 X 9/16
56	817944A2		1	HANDLE AND SHAFT W/ILLUS. 58, 62 AND LITERATURE ORIGINAL FORCE P/N K 366827-1
57	F522884		1	BEARING, REVERSE LOCK SHAFT
58	F2088		2	FASTENER
59	F366364		1	ARM, REVERSE LOCK
60	F366510-1		1	LINK, REVERSE LOCK
61	F1836		1	SPRING PIN
62	F197813		1	BEARING, REVERSE LOCK SHAFT REAR
63	F213274		3	GREASE FITTING
65	F366433		1	TILT STOP, STARBOARD
67	F522032		1	STERN BRACKET - STARBOARD
68	F353480		2	STUD
69	F24074		2	CLAMP SCREW FOOT
70	F522125-1		1	TUBE, PIVOT STEERING
71	F9018		1	PLASTIC CAP, PIVOT TUBE
72	F8538		2	SPRING PIN
73	F474073-1		2	CLAMP SCREW
74	FA433113		1	STERN BRACKET LOCK BAR W/ILLUS. 75, 76 & 77
75	F1744		1	SPRING PIN
76	F433114		1	HANDLE, LOCK BAR
77	F286461		1	SPRING LOCK BAR HANDLE
78	F141704		1	GEAR SHIFT ROD COUPLING
79	F1349		1	HEX NUT, S.S., 5/16 - 18
80	F185764		1	RETAINING RING
81	F8049		1	BOWED SPRING WASHER
82	F1987		1	PLAIN WASHER
83	F307615-1		1	GEAR SHIFT ROD UPPER
84	F1326		2	ACORN NUT, S.S., 5/16 - 18
85	F433972		1	SHOCK MOUNT LOWER COVER - STARBOARD
86	F215962		2	SHOCK MOUNT SIDE LOWER
87	F1947		8	FLANGED 12 POINT SCREW, 5/16 - 18 X 2
88	F1160		2	FLAT HD SCREW, 1/4 - 28 X 5/8

CONTINUED ON NEXT PAGE ➡

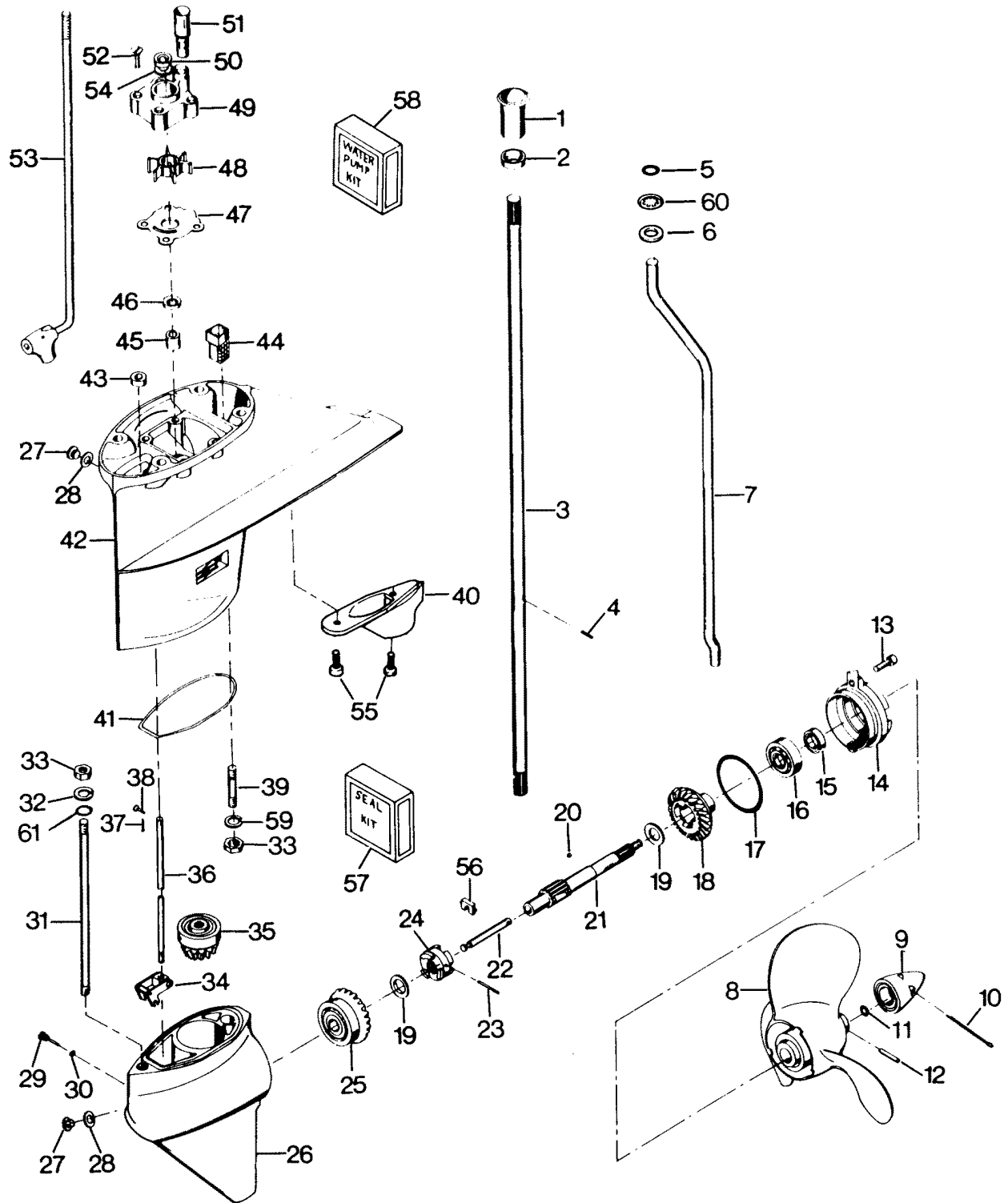
MOTOR LEG



MOTOR LEG

REF. NO.	PART NO.	SYM.	QTY.	DESCRIPTION
89	F316599		1	SEAL, PIVOT TUBE
90	FA435135		1	COVER, LEG ST'BD W/ILLUS. 92
91	FA435145		1	COVER, LEG PORT W/ILLUS. 92
92	F435323		3	PACKING, LEG COVER LOWER
93	F89504		1	GROMMET, MOTOR LEG EXHAUST COVER
94	F89025		1	PAD, DAMPENING - LEG COVER
95	F1473		6	HEX M. SC. NUT # 10 - 24
96	F1733		3	PAN HD. M. SC., # 10 - 24 X 9/16
97	F1767		1	FILL HD. M. SC., # 10 - 24 X 3
98	F1768		2	FILL HD. M. SC., # 10 - 24 X 1-3/8
99	F5H141		1	LINK, STEERING W/ILLUS. 100, 101, 102, 103
100	F522359		1	SPACER, STEERING LINK
101	F2073		1	HEX CAP SCREW 3/8 - 24 X 1-5/8
102	F2093		2	STOP NUT
103	F8083		4	PLAIN WASHER
104	F5H084		1	TRAILERING TILT LOCK

GEAR HOUSING

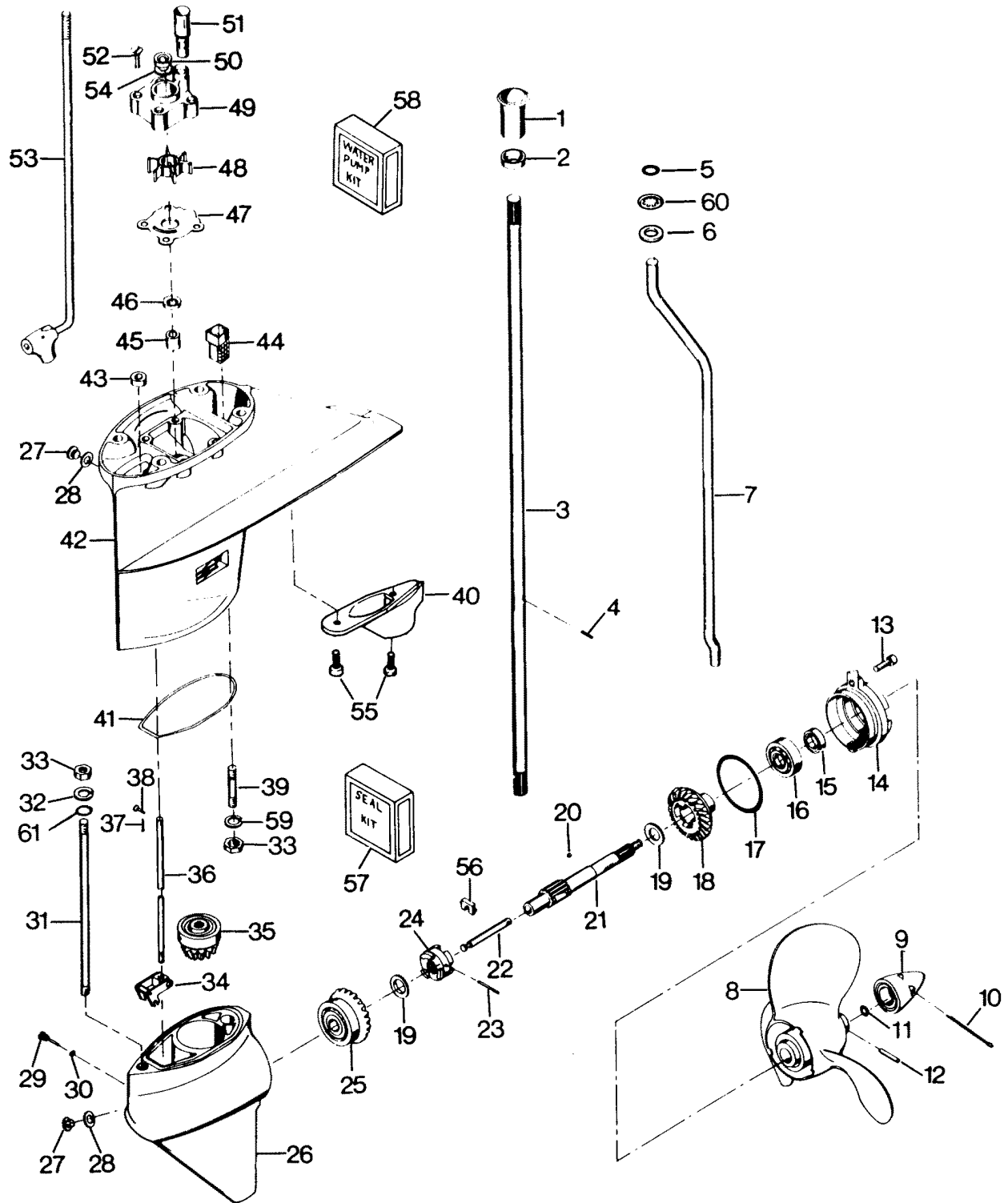


GEAR HOUSING

REF. NO.	PART NO.	SYM.	QTY.	DESCRIPTION
1	F338129-1		1	SEAL, DRIVESHAFT SPLINE
2	F338271		1	RETAINER
3	FA89128-1		1	DRIVESHAFT WILLUS. 2
4	F901563		1	DRIVE PIN, WATER PUMP IMPELLER
5	F40342		1	SEAL
6	F8042		1	PLAIN WASHER
7	F435244		1	INLET WATER LINE
8	FP293		1	PROPELLER (ACCESSORY ITEM)
9	FA94094-2		1	PROPELLER NUT WILLUS. 10 AND 11
10	F1027		1	COTTER PIN, S.S., 1/8 - 1/2
11	F40342		1	SEAL, PROPELLER NUT
12	FK247		1	PROPELLER PIN, PACK OF 6 WILLUS. 10
13	F1263		2	HEX SOCKET HD CAP SCREW, S.S., 5/16 - 18 X 9/16
14	31-817731A5		1	PROPELLER SHAFT BEARING CAGE. INCLUDES ITEMS 15, 16 AND 17 ORIGINAL FORCE P/N 2A 366298-1
15	F141118		1	SEAL, PROPELLER SHAFT
16	F366058		1	BALL BEARING, PROPELLER SHAFT
17	F141305		1	SEAL, PROPELLER SHAFT BEARING CAGE
18	FA485662		1	BEVEL GEAR REAR W/BEARING
19	F40717		2	THRUST WASHER, BEVEL GEAR
20	F366727		1	BALL, PROPELLER SHAFT
21	44-819500A3		1	PROPELLER SHAFT ASSEMBLY
22	F90871-3		1	GEAR SHIFT ARM PIN
23	F2097		1	SPRING PIN
24	F99521-1		1	CLUTCH
25	43-817824A2		1	BEVEL GEAR FRONT W/BEARING AND CUP
26	FA486054		1	GEAR HOUSING LOWER W/THRUST BEARING CUP AND ILLUS. 27, 28, 29 AND 30
-	FC486054		1	GEAR HOUSING KIT. INCLUDES ALL ITEMS MARKED WITH AN ASTERISK (*)
27	F50109		2	PLUG, GEAR HOUSING
28	F8077		2	WASHER, GEAR HOUSING PLUG
29	F498891		1	GEAR SHIFT ARM PIVOT PIN
30	F498618		1	SEAL, O-RING
31	F97008-1		1	STUD, LONG
32	F2014		1	WASHER, PLAIN
33	F1346		2	HEX NUT, S.S., 3/8 - 16
34	817796A2		1	GEAR SHIFT ARM ASSEMBLY
35	F2A474266		1	BEVEL PINION W/BEARING
36	F435705		1	GEAR SHIFT ROD LOWER
37	F1015		1	COTTER PIN
38	F85372		1	PIN, GEAR SHIFT ROD LOWER
39	F40008		1	STUD, SHORT
40	FA435116		1	EXHAUST, SNOOT W/LITERATURE

CONTINUED ON NEXT PAGE ➡

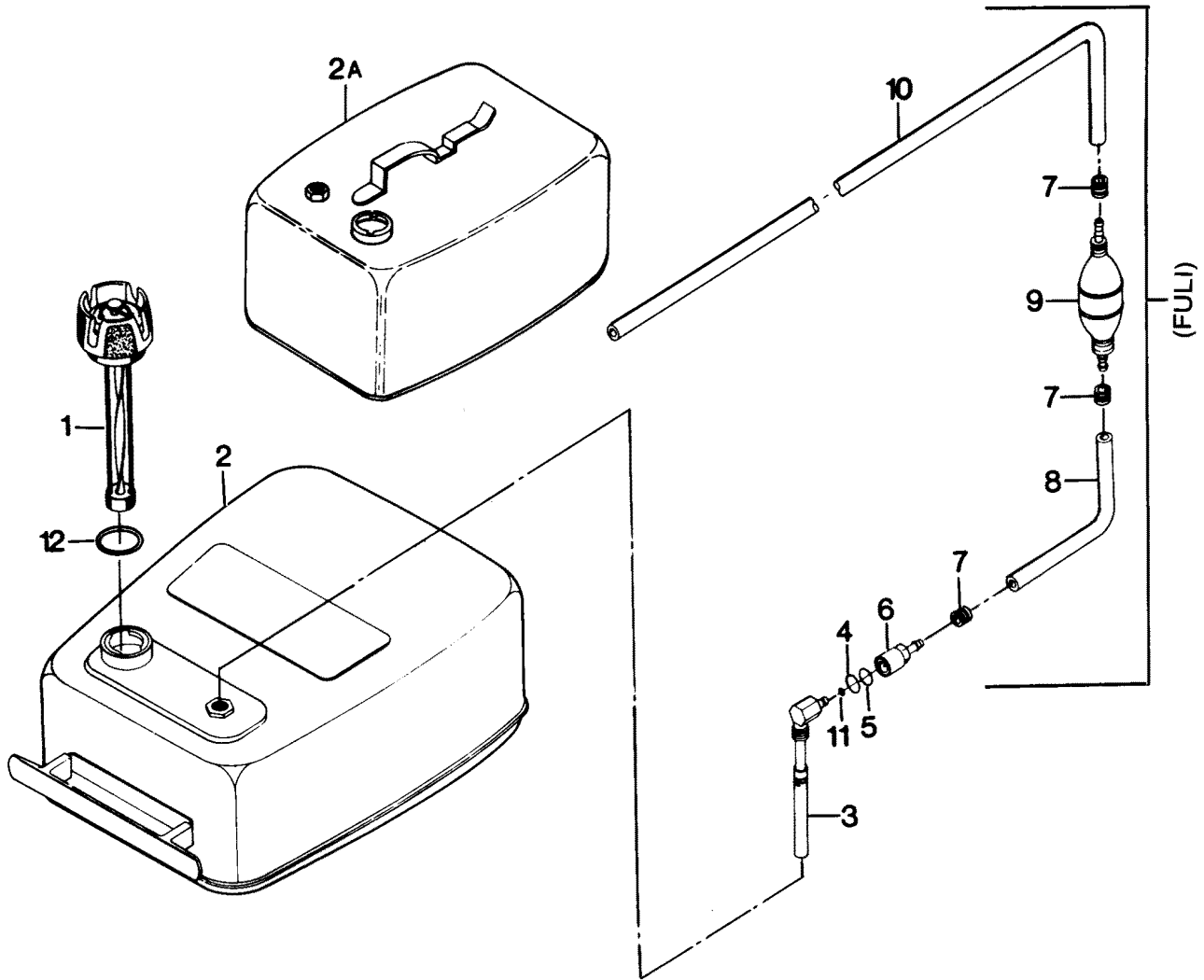
GEAR HOUSING



GEAR HOUSING

REF. NO.	PART NO.	SYM.	QTY.	DESCRIPTION
41	F435555		1	SEAL, GEAR HOUSING
42	FA545554		1	GEAR HOUSING UPPER W/ILLUS. 27, 28, 39, 40, 43, 44, 45, 46 AND 55
43	F338618-1		1	SEAL, SHIFT ROD LOWER
44	F435077		1	SCREEN, WATER INLET
45	F435057		1	BEARING, DRIVESHAFT UPPER
46	F40307-2		1	SEAL, DRIVESHAFT
47	F435562		1	WATER PUMP BACK PLATE
48	F433065-2		1	WATER PUMP IMPELLER
49	FA463060		1	WATER PUMP BODY W/ILLUS. 50, 51 AND 54
50	F349307		1	DRIVESHAFT SEAL - WATER PUMP
51	FA485914		1	SEAL, INLET WATER LINE, LOWER W/LITERATURE
52	F2030		4	HEX HD SCREW, S.S., 1/4 - 20 X 1-1/4
53	FA435616		1	GEAR SHIFT ROD INTERMEDIATE
54	485388		1	DISC, WATER PUMP
55	F2008		2	HEX HD M.S., 1/4 - 20 X 7/8
56	F90619-2		1	YOKE
57	FK1074		1	GEAR HOUSING SEAL KIT. INCLUDES ALL ITEMS MARKED WITH A DOUBLE ASTERISK (**)
58	FK1073		1	WATER PUMP KIT. INCLUDES ITEMS MARKED WITH A STAR (*)
-	F2030		4	SCREW 1/4 - 20 X 1-1/4
-	F433065-2		1	IMPELLER
-	F435562		1	BACK PLATE, WATER PUMP
-	F901563		1	DRIVE PIN
-	FA463060		1	WATER PUMP BODY W/ILLUS. 50, 51 AND 52
59	F8065		1	LOCKWASHER
60	F658208		1	RETAINER
61	F24342		1	SEAL

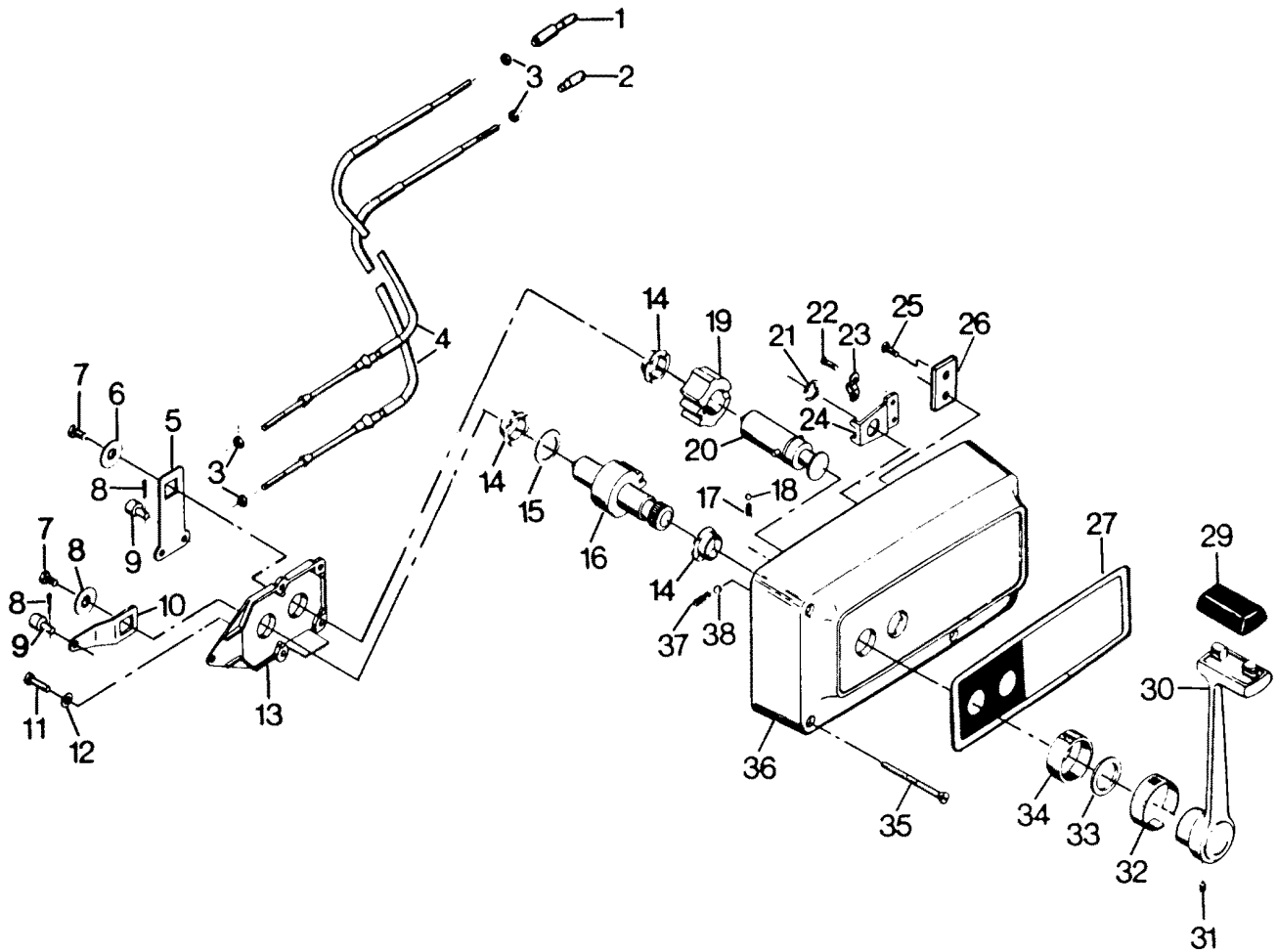
FUEL TANK AND LINE



FUEL TANK AND LINE

REF. NO.	PART NO.	SYM.	QTY.	DESCRIPTION
1	F409251-1		1	GAUGE CAP (CANADA ONLY)
-	F213251		1	GAUGE CAP (USA ONLY) (NOT SHOWN)
2	F5H026-1		1	FUEL TANK (ACCESSORY ITEM) - W/ILLUS. 1 AND 3 (FORCE MODELS)
2A	F5H176		1	FUEL TANK W/ILLUS. 1 AND 3 (BAYLINER MODELS)
3	F485755-1		1	FUEL TANK ADAPTER
4	F17816		1	SEAL, FUEL LINE COUPLER (LARGE)
5	F17815		1	SEAL, FUEL LINE COUPLER (SMALL)
6	F197787-3		1	FUEL LINE COUPLER
7	F298788		3	FERRULE
8	FA84754-1		1	FUEL LINE SHORT W/ILLUS. 7
9	89396A38		1	PRIME BULB
10	32-817738A1		1	FUEL LINE, LONG W/CLAMP AND ILLUS. 7 ORIGINAL FORCE P/N A 197752-1
11	F17817		1	SEAL, FUEL TANK ADAPTER USED WITH 485755-1 ADAPTER
-	FS409752		1	FUEL LINE - COMPLETE - INCLUDES ITEMS MARKED WITH AN ASTERISK (*)
-	FC311398		1	DECAL, TOTE TANK-CANADA (NOT SHOWN)
-	F224394-3		1	DECAL, FUEL MIXTURE - U.S.A. (NOT SHOWN)
12	F17818		1	GASKET
-	F310398		1	DECAL, WARNING (NOT SHOWN)

REMOTE CONTROL

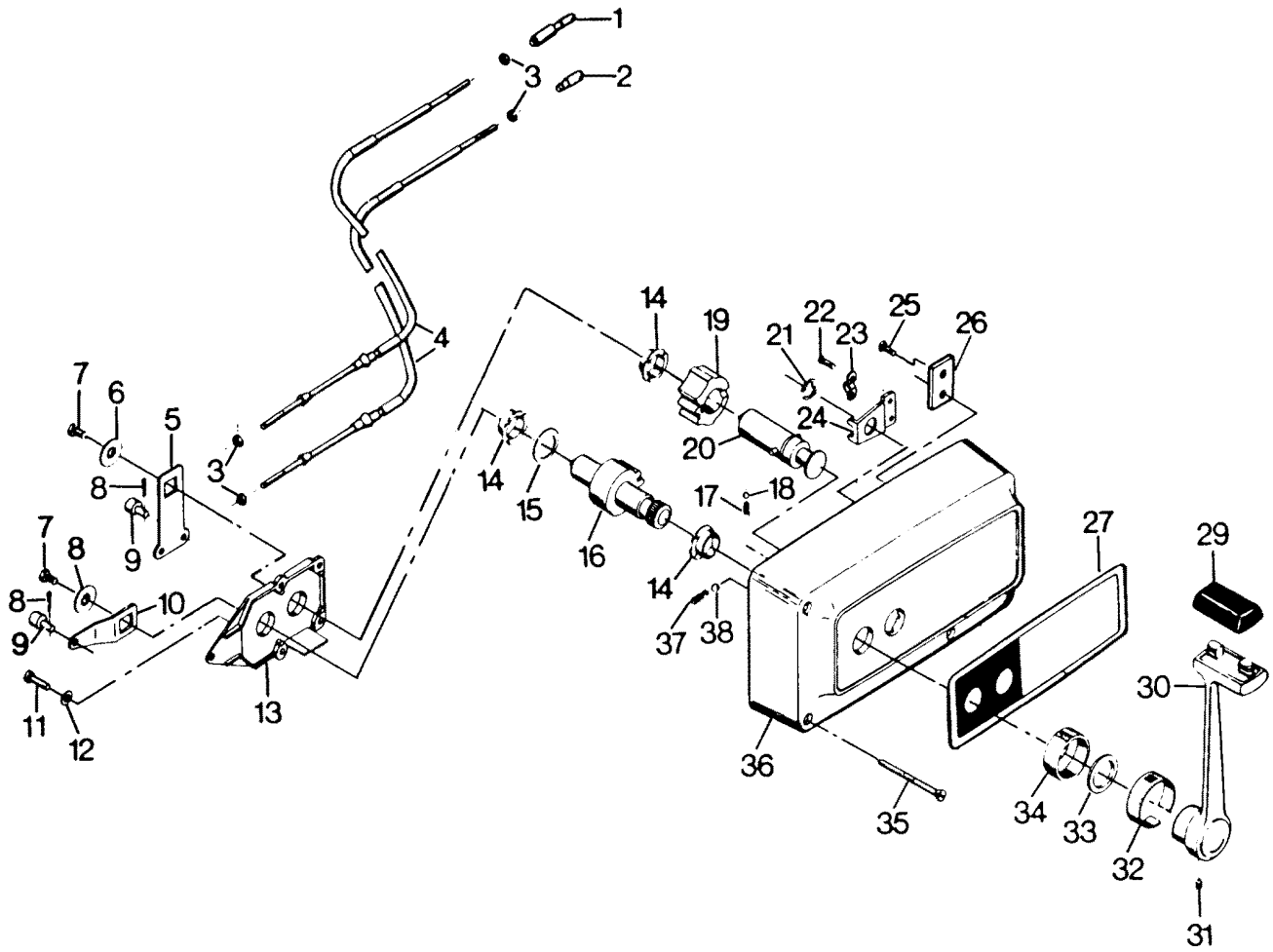


REMOTE CONTROL

REF. NO.	PART NO.	SYM.	QTY.	DESCRIPTION
1	FA58976-1		1	CONNECTOR, THROTTLE CABLE (FORCE MODELS) NOT SHIPPED WITH ENGINE
-	F654976		1	CONNECTOR, THROTTLE CABLE (BAYLINER MODELS)
2	F58685-2		1	CONNECTOR, SHIFT CABLE (FORCE AND BAYLINER MODELS) NOT SHIPPED WITH FORCE MODELS
3	F1513		4	HEX NUT
4	F195/___		1	REMOTE CONTROL CABLE (SPECIFY LENGTH-X) (2 PER SET) (NOT SHIPPED WITH ENGINE) FOCE MODELS
-	F5H190/___		1	REMOTE CONTROL CABLE, (SPECIFY LENGTH - X) (2 PER SET) (NOT SHIPPED WITH ENGINE) BAYLINER MODELS
5	F17019		1	CLUTCH ARM
6	F17036		2	INTERNAL TOOTH LOCKWASHER
7	F17155		2	HEX BOLT, 1/4 - 28 X 1/2
8	F17149		2	COTTER PIN
9	F17016		2	CABLE TERMINAL
10	F17014		1	THROTTLE ARM
11	F17013		2	FILL HD SCREW, 1/4 - 20 X 1/2
12	F8061		2	INTERNAL TOOTH LOCKWASHER
13	F17012		1	RETAINING PLATE
14	F17009		3	BEARING
15	F17011		1	BOWED WASHER
16	F17010-1		1	THROTTLE GEAR
17	F17111		1	DETENT BALL
18	F17006		1	DETENT SPRING
19	F17021		1	CLUTCH GEAR
20	F17100		1	CLUTCH SHIFT
21	F17092		1	SNAP RING
22	F17071		2	FILL HD SCREW, 10 - 24 X 5/16
23	F154317		1	CABLE CLAMP
24	F17026		1	SWIVEL
25	F17141		2	ROUND HD SCREW, 10 - 24 X 3/8
26	F17153		1	RETAINER PLATE
27	F580892-2		1	DECAL
29	F17116		1	KNOB
30	F17115-1		1	HANDLE
31	F455690		1	SET SCREW
32	FK17114-1		1	INDICATOR
33	F17105		1	FELT WASHER
34	F17106		1	COLLAR
35	F17154		3	WOOD SCREW

CONTINUED ON NEXT PAGE ➡

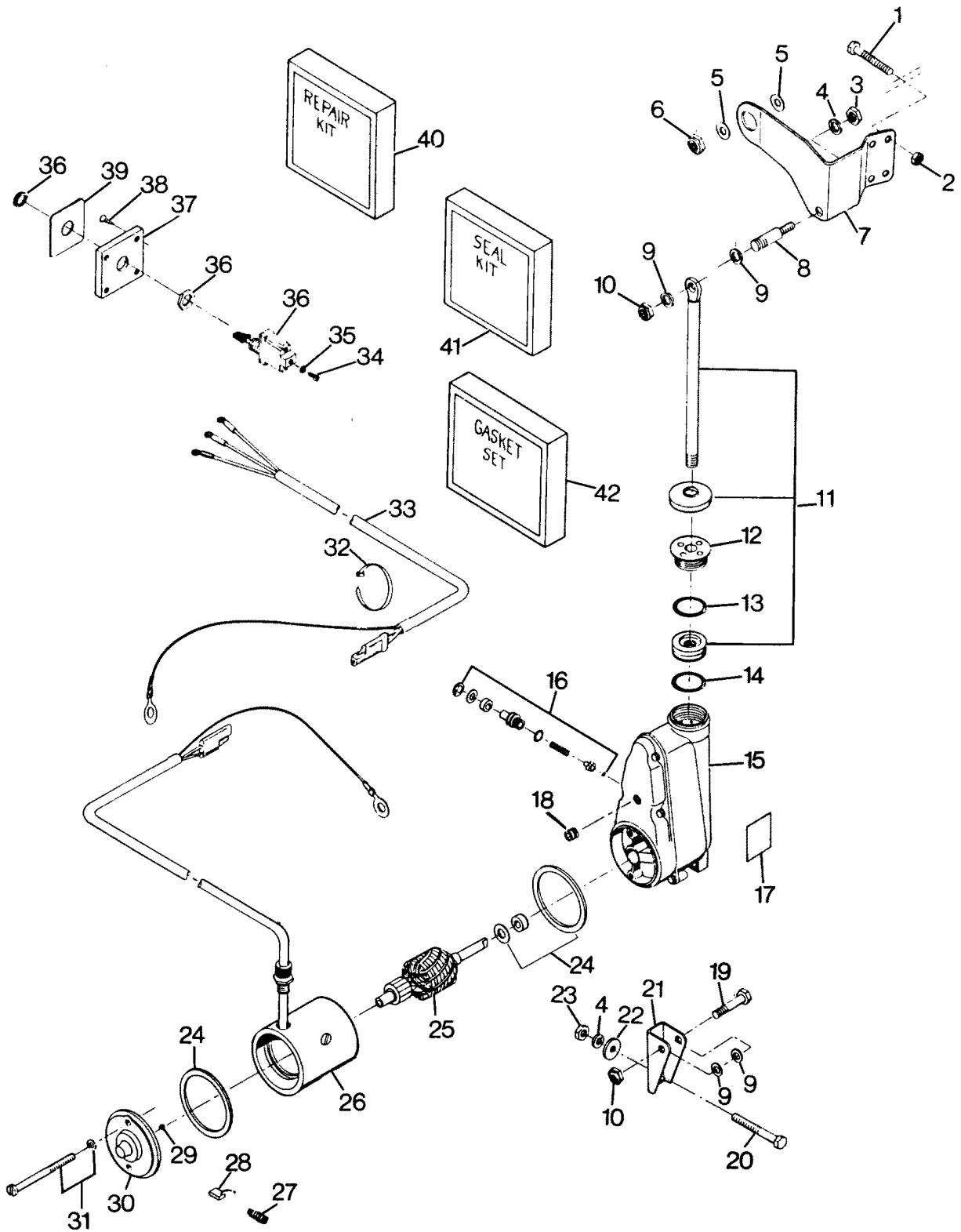
REMOTE CONTROL



REMOTE CONTROL

REF. NO.	PART NO.	SYM.	QTY.	DESCRIPTION
36	F5H130-1		1	HOUSING
37	F17157		1	DETENT SPRING
38	F17082-1		1	DETENT BALL
-	F1280		2	PAN HD SCREW, 8 - 32 X 1/4 (TERMINAL BOARD) (NOT SHOWN)
-	FK17156		1	BAG ASSEMBLY (NOT SHOWN). INCLUDES ALL ITEMS MARKED WITH AN ASTERISK (*).

POWER TILT (MODEL 5H143 SHIPPED WITH MODEL 508M7B ONLY)

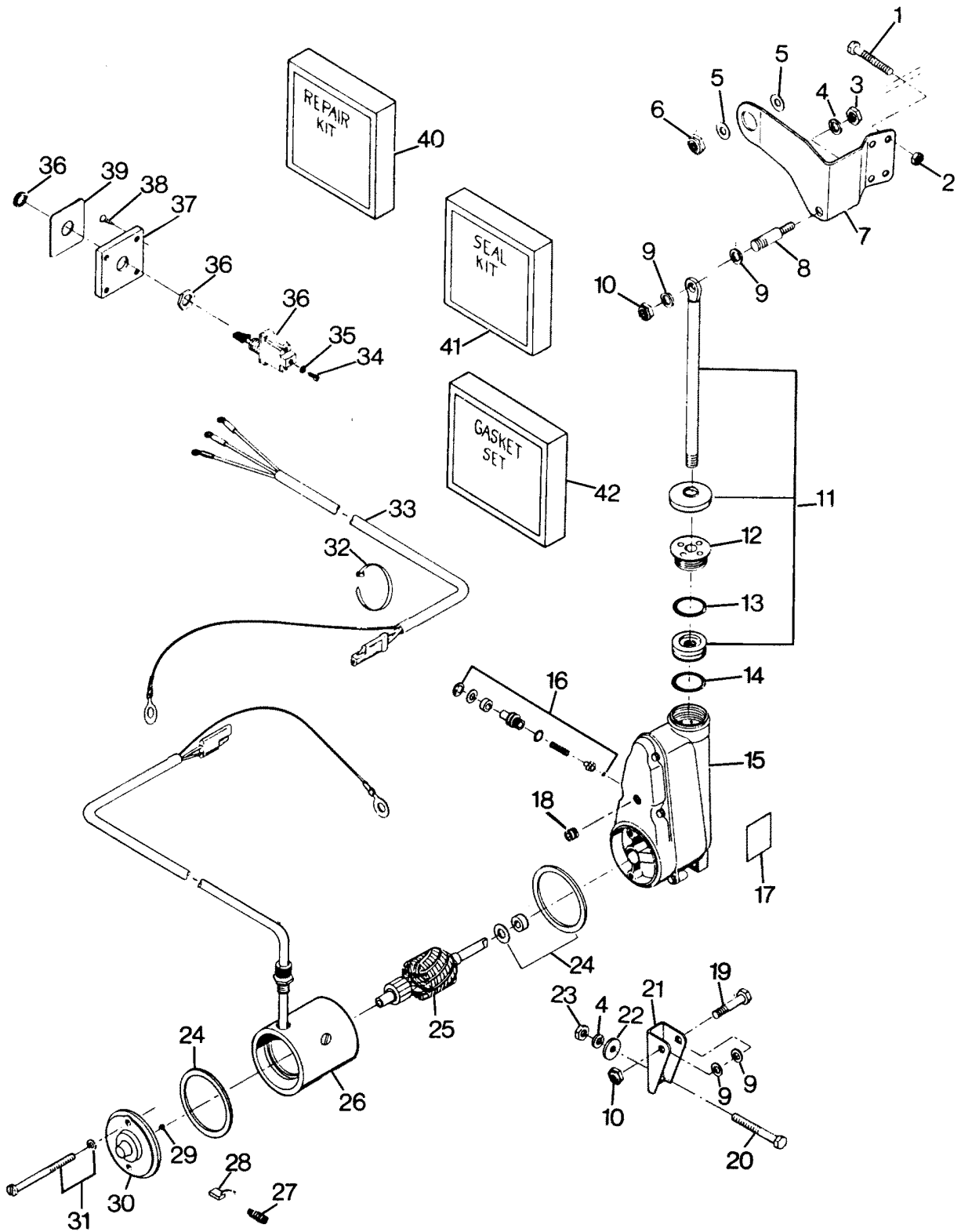


POWER TILT (MODEL 5H143 SHIPPED WITH MODEL 508M7B ONLY)

REF. NO.	PART NO.	SYM.	QTY.	DESCRIPTION
1	F1822		4	HEX HD BOLT, 5/16 - 18 X 7/8, S.S.
2	F1892		4	STOP NUT, 5/16 - 18, S.S.
3	F7025		1	STOP NUT, 3/8 - 16, S.S.
4	F8065		3	SPRING LOCKWASHER, S.S.
5	F413415		2	PHENOLIC WASHER
6	F1932		1	STOP NUT, 7/16 - 20, S.S.
7	F545442		1	BRACKET, TILT UPPER
8	F413440		1	STUD, BRACKET UPPER
9	F1930		4	PLAIN WASHER, S.S.
10	F1931		2	STOP NUT, 1/2 - 20, S.S.
11	F17600-1		1	PISTON ROD AND END HEAD ASSEMBLY. INCLUDES ITEMS 12, 13 AND 14
12	F17549		1	END HEAD ASSEMBLY. INCLUDES ITEM 13.
13	F654618		1	"O" RING, END HEAD SEAL
14	F17533		1	"O" RING, PISTON
15	F420541-1		1	VALVE BODY AND GEAR CASE ASSEMBLY. INCLUDES ITEMS 11, 16 AND 24
16	F17547		1	MANUAL LET DOWN PARTS PACKAGE
17	F413387		1	DECAL, POWER TILT
18	F17603		1	PIPE PLUG
19	F1078		1	HEX CAP SCREW, 1/4 - 20 X 2
20	F2125		2	HEX HD MACHINE SCREW, 3/8 - 16 X 3, S.S.
21	F413441		1	BRACKET, TILT LOWER
22	F1904		2	PLAIN WASHER
23	F1346		2	HEX NUT, 3/8 - 16, S.S.
24	F17599		1	GASKET AND SEAL PACKAGE. INCLUDES ITEM 42
25	F17540		1	ARMATURE
26	F17556		1	FRAME AND FIELD ASSEMBLY
-	F17607		1	MOTOR ASSEMBLY (NOT SHOWN). INCLUDES ITEMS 24, 25, 26, 27, 28, 29 & 30
27	F17500		1	BRUSH SPRING SET (2 PER SET)
28	F17611		1	BRUSH SET (2 PER SET)
29	F17539		1	BALL
30	F17543		1	HEAD ASSEMBLY. INCLUDES ITEM 28
31	F17542		1	THRU BOLT PACKAGE (2 PER SET)
32	F1877		2	TY-RAP
33	F449843-1		1	CABLE
34	F1280		3	PAN HD SCREW, 8 - 32 X 1/4
35	F8078		3	LOCKWASHER
36	F299449-4		1	TOGGLE SWITCH W/HARDWARE
37	F413420		1	RETAINER
38	F1934		4	FLAT HD THREAD FORMING SCREW

CONTINUED ON NEXT PAGE ➡

POWER TILT (MODEL 5H143 SHIPPED WITH MODEL 508M7B ONLY)



POWER TILT (MODEL 5H143 SHIPPED WITH MODEL 508M7B ONLY)

REF. NO.	PART NO.	SYM.	QTY.	DESCRIPTION
39	F413181		1	PLATE
40	F17605		1	HYDRAULIC LIFT REPAIR KIT. INCLUDES ALL ITEMS MARKED WITH AN ASTERISK (*)
41	F17604		1	GASKET AND SEAL PACKAGE. INCLUDES ALL ITEMS MARKED WITH A DOUBLE ASTERISK (**)
42	F17602		1	GASKET PACKAGE
-	FOB3405		1	INSTALLATION INSTRUCTIONS

SPECIAL TOOLS - TUNE-UP

REF. NO.	PART NO.	SYM.	QTY.	DESCRIPTION
-	FT8948-1		0	PULLER TO REMOVE FLYWHEEL
-	FT2910		0	KNOCK-OFF-NUT TO REMOVE FLYWHEEL (ALTERNATE TO PULLER)
-	FTA2937-1		0	TIMING TOOL TO ADJUST IGNITION TIMING (STATIC)
-	FT8930-1		0	FEELER GAUGE TO ADJUST BREAKER POINTS
-	FT8978		0	TIMING LIGHT TO ADJUST IGNITION TIMING (DYNAMIC)

SPECIAL TOOLS - POWER HEAD

REF. NO.	PART NO.	SYM.	QTY.	DESCRIPTION
-	FT2998		0	TORQUE WRENCH (0-100LBS./FT.) TO PROPERLY SECURE FASTENERS
-	FT2999		0	TORQUE WRENCH (0-600LBS./IN.) TO PROPERLY SECURE FASTENERS
-	FT2991		0	CARBON BRUSH TO REMOVE CARBON FROM INSIDE POWERHEAD
-	FT8900		0	HOSE CLAMP PILERS TO REMOVE AND INSTALL FUEL HOSE CLAMPS
-	FT3510		0	SEAL INSTALLER TO INSTALL UPPER CRANKSHAFT BEARING CAGE SEAL
-	FT3512		0	SEAL SLEEVE TO INSTALL UPPER CRANKSHAFT BEARING CAGE SEAL
-	FT1749		0	RETAINING RING PLIERS TO REMOVE AND INSTALL PISTON PIN RETAINING RINGS
-	FT2953		0	SOCKET TO TORQUE CONNECTING ROD SCREWS
-	FT2990		0	PISTON PIN REMOVER TO REMOVE AND INSTALL PISTON PIN IN PISTON
-	FT8926		0	RING EXPANDER TO INSTALL RINGS ON PISTONS
-	FT2996		0	RING COMPRESSOR TO INSTALL PISTONS IN CYLINDERS

SPECIAL TOOLS - LOWER UNIT

REF. NO.	PART NO.	SYM.	QTY.	DESCRIPTION
-	FT8948-1		0	PULLER TO REMOVE PROPELLER SHAFT BEARING CAGE FROM LOWER GEAR HOUSING.
-	FT8919		0	SPRING PIN PUNCH TO REMOVE CLUTCH SPRING PIN
-	FT8907		0	DRIVER HANDLE TO INSTALL BEARING CUP IN LOWER GEAR HOUSING
-	FT8945		0	RETAINER PUNCH TO INSTALL RETAINER ON DRIVESHAFT SPLINE BOOT
-	FT8918		0	BUSHING GUIDE SET TO REMOVE AND INSTALL BEARING CUP IN LOWER GEAR HOUSING
-	FT8921		0	FORWARD BEARING CUP REMOVER TO REMOVE FORWARD BEARING CUP FROM LOWER GEAR HOUSING
-	FT8904		0	FORWARD BEARING CUP INSTALLER TO INSTALL FORWARD BEARING CUP IN LOWER GEAR HOUSING
-	FT3431		0	SEAL INSTALLER TO INSTALL DRIVESHAFT AND PROP SHAFT SEAL IN LOWER UNIT
-	FT8957		0	SEAL INSTALLER TO INSTALL SHIFT ROD SEAL
-	FT8962		0	BEARING INSTALLER TO INSTALL DRIVESHAFT BEARING IN GEAR HOUSING UPPER
-	FT8964		0	BEARING REMOVER TO REMOVE DRIVESHAFT BEARING FROM GEAR HOUSING UPPER

SPECIAL TOOLS - TEST EQUIPMENT

REF. NO.	PART NO.	SYM.	QTY.	DESCRIPTION
-	FT2951		0	CIRCUIT TRACER TO TROUBLESHOOT 12 VOLT CIRCUITS
-	FT2938-1		0	TEST LIGHT TO CHECK CONTINUITY
-	FT2955A		0	TEST WHEEL TO TEST MOTOR IN TEST TANK
-	FT8950		0	LEAKAGE TESTER TO TEST LOWER UNIT FOR LEAKAGE
-	FT11260		0	SPARK TESTER TO TEST IGNITION SYSTEM

SPECIAL TOOLS - LUBRICANTS AND SEALANTS

REF. NO.	PART NO.	SYM.	QTY.	DESCRIPTION
-	FT2961		0	LUBRICANT - RYKON GREASE #2EP
-	FT2987-1		0	LUBRICANT - ANTI-SEIZE
-	FT8969		0	LUBRICANT - 7 OZ. LUBRICANT LPS-1
-	FT8983		0	SEALANT - RTV
-	FT8936-1		0	SEALANT - 2 CC LOCTITE RETAINING COMPOUND #75
-	FT2962-2		0	SEALANT - 50 CC LOCTITE H, NON-HARDENING GRADE
-	FT2963-2		0	SEALANT - 2 OZ. LOCTITE #271
-	FT8935		0	SEALANT PRIMER - 6 OZ. LOC QUIC T

ACCESSORIES

REF. NO.	PART NO.	SYM.	QTY.	DESCRIPTION
-	597-		0	US MARINE OUTBOARD GEAR LUBE
-	F5H081		0	BATTERY CABLE LONGER LENGTH - 15 FEET
-	F5H019		0	ANTI-CORROSION KIT ELECTRICAL UNIT USED TO HELP PREVENT CORROSION.
-	F5H025		0	ANTI-CORROSION SACRIFICIAL ANODE USED TO HELP PREVENT CORROSION.
-	F5H021		0	BATTERY EXTENSION CABLE USED TO EXTEND BATTERY CABLE 6-1/2 FEET.
-	F5H041		0	BATTERY TERMINAL KIT FOR POSITIVE AND NEGATIVE BATTERY POSTS.
-	F5H020		0	CARRYING HANDLE PERMITS EASIER TRANSPORTATION OF ENGINE TO AND FROM BOAT (2MAN).
-	F5H177		0	FLUSHING ADAPTER PERMITS FRESH WATER FLUSHING OF WATER PASSAGES WITH STANDARD GARDEN HOSE.
-	5H158		0	FUEL GAUGE MONITORS FUEL SUPPLY.
-	F5H028		0	SENDING UNIT FOR USE WITH ABOVE FUEL GAUGE.
-	F5H156		0	TEMPERATURE GAUGE MONITORS ENGINE TEMPERATURE. DO NOT USE TEMPERATURE GAUGE AND HEAT LAMP IN THE SAME INSTALLATION.
-	F5H055		0	WATER PUMP KIT HEAVY DUTY WATER PUMP RECOMMENDED FOR CONTINUED OPERATION IN SANDY OR SALT WATER.
-	F5H191		0	FORCE BLUE ENAMEL ENGINE TOUCH-UP PAINT IN 13 OZ. AVERAGE SPRAY BOMBS (6 CANS PER CASE).
-	F5H192		0	FORCE BLUE ENAMEL ENGINE TOUCH-UP PAINT IN 1/2 OZ. BOTTLE WITH BRUSH IN CAP (12 BOTTLES PER BOX).
-	F5H147		0	POWER TRIM ADJUSTS ENGINE TRIM AND TILTS ENGINE.
-	F5H160		0	POWER TRIM INDICATOR INDICATES TRIM ANGLE.
-	F5H084		0	TRAILERING TILT LOCK SECURES ENGINE IN TILTED POSITION FOR TRAILERING.
-	F5H120		0	REMOTE CONTROL BACK PLATE PROTECTS CONTROL MECHANISM FROM PADDED MOUNTING SURFACES IN BOAT.
-	F5H026-1		0	FUEL TANK, 6 GALLON, STEEL AUXILIARY TANK.
-	F5H029		0	FUEL TANK ANCHOR SECURES 5H026-1 TO DECK.
-	F5H143		0	POWER TILT TWELVE VOLT UNIT TILTS ENGINE FOR BEACHING, ETC.
-	F5H073		0	OVERHEAT BUZZER KIT WARNS OF ENGINE OVERHEATING.
-	F5H077		0	IGNITION KEY SWITCH FOR ELECTRIC START MODELS, SHORT BARREL.
-	F5H078		0	IGNITION KEY SWITCH FOR ELECTRIC START MODELS, LONG BARREL.
-	F195/___		0	REMOTE CONTROL CABLES CONNECTS REMOTE CONTROL BOX TO THROTTLE AND GEAR SHIFT ON ON MOTOR. AVAILABLE IN 6 THROUGH 26 FOOT LENGTHS.
-	F5H130-1		0	REMOTE CONTROL SURFACE MOUNT (SINGLE LEVER) PERMITS REMOTE CONTROL OF THROTTLE AND GEAR SHIFT FROM STARBOARD SIDE OF BOAT.

CONTINUED ON NEXT PAGE ➡

ACCESSORIES

REF. NO.	PART NO.	SYM.	QTY.	DESCRIPTION
-	F590		0	REMOTE CONTROL FLUSH MOUNT (SINGLE LEVER) PERMITS REMOTE CONTROL OF THROTTLE AND GEAR SHIFT. MAY BE MOUNTED ON PORT OR STARBOARD SIDE OF BOAT.
-	F5H159		0	HOURLMETER MONITORS ENGINE RUNNING TIME.
-	F5H132		0	REMOTE CONTROL HANDLE TRIM SWITCH PROVIDES CONVENIENT OPERATION OF POWER TRIM.
-	F5H154		0	SPEEDOMETER FLUSH MOUNT (10-50 MPH).
-	F5H141		0	STEERING LINK KIT FOR USE WITH PIVOT TUBE STEERING.
-	F563		0	TERMINAL BLOCK KIT DOUBLE ROW 10 SECTION FOR ACCESSORY WIRING.
-	F5H075		0	WIRING HARNESS (24") FOR REMOTE INSTALLATION OF IGNITION SWITCH.
-	F137		0	REMOTE STEERING BRACKET ADAPTS MOTOR TO CABLE TYPE REMOTE STEERING.
-	F165		0	REMOTE STEERING BRACKET ADAPTS MOTOR TO CABLE TYPE REMOTE STEERING.
-	F5H023		0	REMOTE STEERING BRACKET ADAPTS MOTOR TO MECHANICAL TYPE REMOTE STEERING.
-	F166		0	DUAL ENGINE TIE BAR PERMITS DUAL ENGINE INSTALLATION.
-	F5H153		0	TACHOMETER MONITORS ENGINE RPM TO PROVIDE CHECK OF ENGINE PERFORMANCE.
-	F5H157		0	VOLTMETER INDICATES BATTERY CONDITION.
-	F5H070		0	REMOTE ELECTRIC CABLE 21 FEET.
-	F762		0	REMOTE ELECTRIC CABLE 25 FEET.
-	F596-		0	US MARINE OUTBOARD OIL SEE NOTE 1
-	597-		0	US MARINE OUTBOARD GEAR LUBE SEE NOTE 2
-	F5H076		0	SWITCH EXTENSION CABLE (5') FOR REMOTE INSTALLATION OF IGNITION SWITCH.
-	F5H030		0	SWITCH KIT - RUNNING LIGHTS DASH MOUNT TOGGLE FOR ANCHOR AND RUNNING LIGHTS.
-	F5H031		0	SWITCH KIT - SPOT LIGHT DASH MOUNT TOGGLE FOR SPOT OR SEARCH LIGHTS.
-	F5H032		0	SWITCH KIT - WIPER DASH MOUNT TOGGLE FOR ELECTRIC WIPER.
-	F5H034		0	SWITCH KIT - BILGE PUMP DASH MOUNT TOGGLE FOR ELECTRIC BILGE PUMP.
-	F5H035		0	SWITCH KIT - HORN DASH MOUNT TOGGLE FOR HORN - MOMENTARY ON.
-	F5H036		0	SWITCH KIT - TACHOMETER TRANSFER DASH MOUNT TOGGLE FOR ONE TACHOMETER ON DUAL ENGINE INSTALLATION.
-	F5H037		0	SWITCH KIT - LIGHTER DASH MOUNT LIGHTER, COMPLETE.
-	F5H038		0	SWITCH KIT - IGNITION DASH MOUNT PLATE FOR 5H077 AND 5H078 KEY SWITCH (NOT INCLUDED).
-	F5H039		0	SWITCH KIT - INSTRUMENTS

PARTS INDEX

Part Number	Description	Pg.	Ref. No.	Part Number	Description	Pg.	Ref. No.
485388	DISC, WATER PUMP	39	54	F1059	FILL HD SCREW 6 - 32 X 14	15	36
5H158	FUEL GAUGE	55	-	F1078	HEX CAP SCREW, 1/4 - 20 X 2	47	19
817746A1	BRACKET, CONNECTOR STUD	27	27	F1110	SLOTTED FILL HD SCREW, 1/4 - 20 X 5/8	7	69
817747--1	BEARING W/BALL JOINT	27	7	F1129	FILL HD SCREW, S.S., 5/16 - 18 X 1/2	31	33
817782--1	IGNITION KEY - NO LETTER OR STAMPED A	5	19	F1136	SCREW, FLAT HD., 1/4 - 20 X 1	25	19
817793A1	SHIFT ARM W/#K405020 AND #85610	27	22	F1141	FLAT HD SCREW, 10 - 24 X 1/2	29	6
817796A2	GEAR SHIFT ARM ASSEMBLY	37	34	F1160	FLAT HD SCREW, 1/4 - 28 X 5/8	33	88
817814A1	TILT HANDLE	3	2	F1164	FLAT HD SCREW, 5/16 - 18 X 1-1/8	5	29
817883--1	IGNITION KEY - STAMPED B	5	-	F1199	HEX HD SCREW, 1/4 - 20 X 1	31	19
817887--1	DECAL, WIRING	5	26	F12090	BREAKER CONTACT SCREW	7	53
817891--1	IGNITION KEY - STAMPED C	5	-	F1211	HEX HD SCREW W/LOCKWASHER, 1/4 - 28 X 5/8	31	12
817892--1	PLATE IGNITION SWITCH CANADA	5	-	F12139-1	CONDENSER	7	52
817928--1	IGNITION KEY - STAMPED D	5	-	F12167	SCREW	7	64
817929--1	IGNITION KEY - STAMPED E	5	-	F12170	CONDENSER MOUNT SCREW W/LOCKWASHER	7	54
817944A2	HANDLE AND SHAFT	33	56	F12172	TERMINAL COMPLETE	7	60
819331A2	KINGPIN	31	34	F12174-1	GROUND LEAD	7	50
89396A38	PRIME BULB	41	9	F12189	CONDENSER MOUNT SCREW	7	51
F10067	BOWL RETAINER GASKET	15	14	F12227	CAM WIPER - FELT	7	47
F10127	FUEL BOWL	15	3	F12329-2	BREAKER POINT SET	7	49
F10128	CHOKE VALVE	15	7	F12338	GROUND WIRE	7	57
F10129	CHOKE RELIEVING VALVE	15	8	F12344	BREAKER PLATE	7	48
F10130	CHOKE VALVE SPRING	15	23	F1238	FILL HD SCREW, 1/4 - 20 X 3/4	7	41
F10135	FLOAT ASSEMBLY	15	9	F1263	HEX SOCKET HD CAP SCREW, S.S., 5/16 - 18 X 9/16	37	13
F10137	NOZZLE	15	11	F1280	PAN HD SCREW, 8 - 32 X 1/4	5	20
F1014	COTTER PIN	15	38	F1280	PAN HD SCREW, 8 - 32 X 1/4	47	34
F10140	VALVE SCREW	15	20	F1280	PAN HD SCREW, 8 - 32 X 1/4 (TERMINAL BOARD) (NOT SHOWN)	45	-
F10141	IDLE NEEDLE SPRING	15	21	F1286	SCREW, PAN HD., 4 - 40 X 3/16	25	15
F10142	FLOAT SUPPORT SPRING	15	22	F1326	ACORN NUT, S.S., 5/16 - 18	33	84
F1015	COTTER PIN	37	37	F1341	NUT, HEX	27	16
F10152	CUP PLUG	15	12	F1346	HEX NUT, 3/8 - 16	31	16
F10153	WELCH PLUG	15	13	F1346	HEX NUT, 3/8 - 16, S.S.	47	23
F10155	VALVE SCREW	15	19	F1346	HEX NUT, S.S., 3/8 - 16	33	49
F10159	CHOKE SHAFT ASSEMBLY	15	6	F1346	HEX NUT, S.S., 3/8 - 16	37	33
F10191	CHOKE RETURN SPRING	15	25	F1346	HEX NUT, S.S., 3/8 - 16	37	33
F10192	THROTTLE RETURN SPRING	15	24	F1349	HEX NUT, S.S., 5/16 - 18	33	79
F10193	THROTTLE SHAFT ASSEMBLY	15	4	F137	REMOTE STEERING BRACKET	56	-
F10197	JET (.046)	15	28	F141118	SEAL, PROPELLER SHAFT	37	15
F10203	JET SIZE. (.080) 5000 - 7500 FT.	15	-	F141305	SEAL, PROPELLER SHAFT BEARING CAGE	37	17
F10204	NOZZLE SPRING	15	26	F141704	GEAR SHIFT ROD COUPLING	33	78
F10205	BOWL RETAINER SCREW	15	18				
F10206	BOWL RETAINER GASKET	15	16				
F10207	THROTTLE VALVE	15	5				
F10208	PIN, FLOAT ASSEMBLY	15	10				
F10210	JET SIZE. (.078) 7500 - 10,000 FT.	15	-				
F10218	RING	15	1				
F10229	MAIN FUEL JET (.084)	15	29				
F10230	JET SIZE. (.082) 2500 - 5000 FT.	15	-				
F1027	COTTER PIN, S.S., 1/8 - 1/2	37	10				
F1052	SCREW, FILL HD., 1/4 - 20 X 1	27	15				

PARTS INDEX

Part Number	Description	Pg.	Ref. No.	Part Number	Description	Pg.	Ref. No.
F1446	SCREW, SLOTTED PAN HD., 1/4 - 20 X 1	25	18	F1647	HEX NUT, 8 - 32	5	14
F1473	HEX M. SC. NUT # 10 - 24	35	95	F1648	SCREW, 10 - 24 X 3/4 PAN HD SCREW	13	13
F1473	NUT, 10 - 24 S.S.	13	18	F165	REMOTE STEERING BRACKET	56	-
F1473	NUT, HEX, 10 - 24	27	20	F166	DUAL ENGINE TIE BAR	56	-
F1475	FILL HD SCREW, 10 X 24 X 1/2	3	8	F1666	BOWED SPRING WASHER	31	41
F1502	SCREW, CYLINDER HEAD COVER TO CYLINDER HEAD	19	22	F1669	STOP NUT	33	54
F1504	SLOTTED FIL SCREW, 1/4 - 20 X 1-1/4 S.S.	13	8	F17006	DETENT SPRING	43	18
F1513	HEX NUT	43	3	F17009	BEARING	43	14
F1513	HEX NUT, 10 - 32	5	31	F17010-1	THROTTLE GEAR	43	16
F1513	NUT, HEX, 10 - 32	27	2	F17011	BOWED WASHER	43	15
F1515	HEX NUT, 5/16 - 18	3	21	F17012	RETAINING PLATE	43	13
F1515	HEX NUT, 5/16 - 18	29	2	F17013	FILL HD SCREW, 1/4 - 20 X 1/2	43	11
F1515	NUT, HEX, 5/16 - 18	25	1	F17014	THROTTLE ARM	43	10
F15152	LOCKWASHER	11	11	F17016	CABLE TERMINAL	43	9
F15154	CAP, DRIVE END	11	3	F17019	CLUTCH ARM	43	5
F15157	HOLDER, BRUSH	11	9	F17021	CLUTCH GEAR	43	19
F15158	SCREW, BRUSH HOLDER	11	7	F17026	SWIVEL	43	24
F15159	INSULATOR	11	14	F17036	INTERNAL TOOTH LOCKWASHER	43	6
F15160	INSULATOR WASHER	11	13	F1704	INTERNAL TOOTH LOCKWASHER	7	67
F15161	PLAIN WASHER	11	12	F17071	FILL HD SCREW, 10 - 24 X 5/16	43	22
F15162	NUT	11	10	F17082-1	DETENT BALL	45	38
F15164	BRUSH KIT	11	8	F17092	SNAP RING	43	21
F15179	CAP COMMUTATOR END W/BRUSHES AND BRUSH HOLDER	11	15	F17100	CLUTCH SHIFT	43	20
F15181	DRIVE KIT	11	1	F17105	FELT WASHER	43	33
F15182	DRIVE PINION	11	2	F17106	COLLAR	43	34
F15183	ARMATURE	11	4	F17111	DETENT BALL	43	17
F15184	THRU BOLT	11	16	F17115-1	HANDLE	43	30
F1532	HEX HD SCREW, 1/4 - 20 X 1	7	46	F17116	KNOB	43	29
F1532	HEX HD SCREW, 1/4 - 20 X 1	3	24	F17141	ROUND HD SCREW, 10 - 24 X 3/8	43	25
F1540	HEX HD SCREW, 1/4 - 20 X 5/8 GR. 5	13	21	F17149	COTTER PIN	43	8
F154317	CABLE CLAMP	43	23	F17153	RETAINER PLATE	43	26
F1552	SLOTTED PAN HD SCREW, 8 - 32 X 1/2	7	56	F17154	WOOD SCREW	43	35
F1556	SCREW, FILL HD. W/LOCKWASHER, 10 - 24 X 3/8	27	13	F17155	HEX BOLT, 1/4 - 28 X 1/2	43	7
F1593	HEX HD SCREW, S.S., 3/8 - 16 X 3	33	47	F17157	DETENT SPRING	45	37
F1600	LOCK NUT, PIVOT TUBE	33	45	F1727	RIVET, PLASTIC	27	9
F1615	HEX NUT, 5/16 - 24	7	38	F1733	PAN HD SCREW, 10 - 24 X 9/16	3	15
F1635	HEX SOCKET HD CAP SCREW, S.S., 3/8 - 16 X 3- 1/2	31	27	F1733	PAN HD SCREW, 10 - 24 X 9/16	5	32
F1636	HEX SOCKET HD CAP SCREW, S.S., 3/8 - 16 X 1- 1/4	31	28	F1733	PAN HD SCREW, 10 - 24 X 9/16	33	55
F1645	RD HD SELF-TAPPING SCREW, 6 - 32 X 1/4	7	68	F1733	PAN HD. M. SC., # 10 - 24 X 9/16	35	96
F1646	SCREW, CRANKCASE COVER TO CYLINDER 3/8 - 16 X 2 1/4 H SOC	19	9	F1741	PAN HD SCREW, 8-3/4	9	75
F1647	HEX NUT	19	18	F1744	SPRING PIN	33	75
				F17500	BRUSH SPRING SET (2 PER SET)	47	27
				F1753	FASTENER, TRIM (INSIDE OF COVER)	3	31
				F17533	"O" RING, PISTON	47	14
				F17539	BALL	47	29
				F17540	ARMATURE	47	25

PARTS INDEX

Part Number	Description	Pg.	Ref. No.	Part Number	Description	Pg.	Ref. No.
F17543	HEAD ASSEMBLY.	47	30	F1857	SCREW, HEX CAP, 5/16 - 18		
F17547	MANUAL LET DOWN PARTS				X 5/8	19	34
	PACKAGE	47	16	F185764	RETAINING RING	33	80
F17549	END HEAD ASSEMBLY. . . .	47	12	F1860	SLOTTED BINDING HEAD		
F1755	ROUND HD SCREW				SCREW, 6 - 32 X 1/4	13	25
	W/LOCKWASHER, 6 - 32 X			F1864	HEX CAP SCREW, 1/4 - 20 X		
	1/4	29	12		3/4	3	10
F17556	FRAME AND FIELD			F1864	SCREW, HEX CAP, 1/4 - 20 X		
	ASSEMBLY	47	26		3/4	27	30
F17599	GASKET AND SEAL			F1877	TY-RAP	47	32
	PACKAGE.	47	24	F1879	SCREW, CRANKCASE		
F17600-1	PISTON ROD AND END				COVER TO CYLNDR 3/8 -		
	HEAD ASSEMBLY.	47	11		16 X 1 5/8 HX SOC HC . .	19	8
F17602	GASKET PACKAGE	49	42	F1892	STOP NUT, 5/16 - 18, S.S. . .	47	2
F17603	PIPE PLUG	47	18	F1904	PLAIN WASHER	33	48
F17604	GASKET AND SEAL			F1904	PLAIN WASHER	47	22
	PACKAGE.	49	41	F1905	FILL HD SCREW, 1/4 - 20 X		
F17605	HYDRAULIC LIFT REPAIR				3-7/16	31	22
	KIT.	49	40	F19109	PLUG	19	31
F17607	MOTOR ASSEMBLY (NOT			F191169-1	SWIVEL BRACKET BEARING	31	35
	SHOWN).	47	-	F1914	SCREW, CRANKCASE TO		
F17611	BRUSH SET (2 PER SET) . .	47	28		CYLINDER, LARGE HD.		
F1767	FILL HD. M. SC., # 10 - 24 X				1/4 - 20 X 5/8	19	12
	3	35	97	F1920	HEX NUT, 5/8 - 18	7	72
F1768	FILL HD. M. SC., # 10 - 24 X			F1920	NUT, HEX, 5/8 - 18	23	20
	1-3/8	35	98	F1922	HEX CAP SCREW, 1/4 - 20 X		
F177330	VALVE, FUEL PUMP	13	24		5/8	5	18
F177917	STARTER RELAY	7	37	F1922	HEX CAP SCREW, 1/4 - 20 X		
F17815	SEAL, FUEL LINE COUPLER				5/8	31	11
	(SMALL)	41	5	F1922	SCREW, CRANKCASE TO		
F17816	SEAL, FUEL LINE COUPLER				CYLINDER, SMALL HD. 1/4		
	(LARGE)	41	4		- 20 X 5/8	19	11
F17817	SEAL, FUEL TANK ADAPTER			F1922	SCREW, HEX HD., 1/4 - 20 X		
	USED WITH 485755-1				5/8	25	24
	ADAPTER	41	11	F1929	HEX HD CAP SCREW, S.S.,		
F17818	GASKET	41	12		3/8 - 16 X 1-1/8	31	24
F1789	PIPE PLUG, - 1/16 - 27	13	19	F1930	PLAIN WASHER, S.S.	47	9
F1804	NUT, STOP 10 - 32	27	28	F1931	STOP NUT, 1/2 - 20, S.S. . . .	47	10
F18160-3	REED, CYLINDER DRAIN . .	25	12	F1932	STOP NUT, 7/16 - 20, S.S. . .	47	6
F18225	HEX HD BOLT, 5/16 - 18 X			F1934	FLAT HD SLOTTED SCREW		
	7/8, S.S.	47	1		6 X 1/2	5	23
F183300	SPRING	3	20	F1934	FLAT HD THREAD FORMING		
F183346-1	SHOCK MOUNT LOWER	31	32		SCREW	47	38
F1836	SPRING PIN	33	61	F1947	FLANGED 12 POINT SCREW,		
F184033-1	SWIVEL, CHOKE ROD	15	35		5/16 - 18 X 2	33	87
F184122-1	SEAL, CRANKCASE			F195/___	REMOTE CONTROL CABLE		
	PARTING LINE	19	7		(SPECIFY LENGTH-X) (2		
F184122-1	SEAL, CRANKCASE				PER SET)	43	4
	PARTING LINE	21	-	F195/___	REMOTE CONTROL CABLES	55	-
F184579	SEAL, CHOKE ARM SWIVEL	15	34	F1958	PAN HD SCREW, 6 X 7/16 . .	7	61
F1849	HEX HD SCREW, S.S., 1/4 -			F1971	SCREW, EXHAUST PORT,		
	20 X 1-3/8	31	17		1/4-20 X 2 1/8 HEX HM. . .	19	5
F1851	FILL HD M. SCREW			F1974	SCREW, TERMINAL BLOCK		
	W/LOCKWASHER, 10 - 24				MTG., #10-24 X 5/8 SL		
	X 1/2	31	4		PAN HM	19	6
F1854	HEX HD SCREW, 1/4 - 20 X			F1974	SLOTTED PAN HD SCREW,		
	5/8	7	44		10 - 24 X 5/8	5	5
F1854	SCREW, 1/4 - 20 X 5/8	25	8	F1975	LOCKWASHER	5	4
F1854	SCREW, HEX SLOT HD, 1/4 -			F1975	LOCKWASHER	13	14
	20 X 5/8	25	5	F197787-3	FUEL LINE COUPLER	41	6

PARTS INDEX

Part Number	Description	Pg.	Ref. No.	Part Number	Description	Pg.	Ref. No.
F197813	BEARING, REVERSE LOCK			F2A474266	BEVEL PINION W/BEARING	37	35
	SHAFT REAR	33	62	F2C662712	ENGINE COVER COMPLETE	3	-
F1987	PLAIN WASHER	3	19	F307038	SUPPORT PLATE	3	13
F1987	PLAIN WASHER	33	82	F307211	STUD	25	3
F1995	SCREW, FILL HD., 10 - 24 X			F307279-2	CYLINDER EXHAUST		
	1	27	14		GASKET UPPER	31	1
F1995	SCREW, THERMOSTAT			F307279-2	GASKET, CYLINDER		
	COVER TO CYLINDER				EXHAUST - UPPER	21	-
	HEAD #10-24 X 1	19	29	F307317	CLIP, TERMINAL BLOCK -		
F1997	STOP NUT 8 - 32	17	42		GROUND	5	11
F2008	HEX HD M.S., 1/4 - 20 X 7/8	39	55	F307615-1	GEAR SHIFT ROD UPPER	33	83
F2008	HEX HD SCREW, 1/4 - 20 X			F307660-1	LEG EXHAUST TUBE	31	3
	7/8	29	1	F307683	WIRE, CIRCUIT BREAKER	5	1
F2014	WASHER, PLAIN	37	32	F307818	BEARING, LATCH SHAFT	3	17
F2016	FILL HD SCREW, 8 - 32 X 7/8	5	28	F307860	INTAKE SILENCER	3	27
F2025	PAN HD SCREW, 10 X 5/8	3	3	F307962	SHOCK MOUNT - SIDE -		
F2030	HEX HD SCREW, S.S., 1/4 -				UPPER	31	14
	20 X 1-1/4	39	52	F310398	DECAL, WARNING (NOT		
F2030	SCREW 1/4 - 20 X 1-1/4	39	-		SHOWN)	41	-
F203276	COIL BOOT	5	16	F311744-2	WIRING HARNESS	5	2
F2033	GROVE PIN	17	41	F311984-1	BLANKET SILENCER - TOP		
F203673-1	TERMINAL CLIP	5	17		(NOT SHOWN)	3	-
F203965	SHOCK MOUNT UPPER	31	7	F316160	REED	29	10
F2066	PAN HD SELF-TAPPING			F316599	SEAL, PIVOT TUBE	35	89
	SCREW	3	4	F333316	THROTTLE ROLLER SHAFT	17	44
F2071	HEX CAP SCREW, 5/16 - 18			F335215	SPACER, PISTON PIN	23	15
	X 1-3/8	7	63	F335217-1	BEARING, PISTON PIN	23	19
F2073	HEX CAP SCREW 3/8 - 24 X			F338129-1	SEAL, DRIVESHAFT SPLINE	37	1
	1-5/8	35	101	F338271	RETAINER	37	2
F2088	FASTENER	33	58	F338618-1	SEAL, SHIFT ROD LOWER	39	43
F2091	SCREW, CYLINDER HEAD &			F345427-1	BRACKET, STARTER		
	COVER TO CYLINDER	19	17		MOUNTING	25	4
F2093	STOP NUT	35	102	F345683	WIRE - GROUND	5	10
F2097	SPRING PIN	37	23	F349307	DRIVESHAFT SEAL - WATER		
F2125	HEX HD MACHINE SCREW,				PUMP	39	50
	3/8 - 16 X 3, S.S.	47	20	F353480	STUD	33	68
F213251	GAUGE CAP (USA ONLY)			F366013	BEARING, CRANKSHAFT,		
	(NOT SHOWN)	41	-		UPPER MAIN	23	6
F213274	GREASE FITTING	33	63	F366058	BALL BEARING, PROPELLER		
F215962	SHOCK MOUNT SIDE				SHAFT	37	16
	LOWER	33	86	F366277	GASKET, BEARING CAGE	21	-
F2165	RIVET, TRIM	3	33	F366277	GASKET, BEARING CAGE,		
F2207	SCREW, FILL HD., 1/4 - 20 X				UPPER	23	5
	3/4	27	23	F366300	REVERSE LOCK SPRING	33	52
F224394-3	DECAL, FUEL MIXTURE -			F366349	REVERSE LOCK	33	53
	U.S.A. (NOT SHOWN)	41	-	F366350-1	TILT STOP PIVOT	31	39
F24074	CLAMP SCREW FOOT	33	69	F366364	ARM, REVERSE LOCK	33	59
F24342	SEAL	39	61	F366426	TILT STOP - PORT	31	40
F260446-1	CLAMP	7	70	F366433	TILT STOP, STARBOARD	33	65
F268002-2	CAM	7	45	F366510-1	LINK, REVERSE LOCK	33	60
F269052	BEARING, SHIFT ARM	27	25	F366727	BALL, PROPELLER SHAFT	37	20
F269319	BEARING, THROTTLE CAM	27	5	F366886	PIN	33	51
F269445-1	LINK, SPARK CONTROL	27	19	F380475	COIL	5	30
F269929	SPACER, TILT STOP	31	38	F380501-1	COIL MOUNT	7	55
F286461	SPRING LOCK BAR HANDLE	33	77	F380513	COIL CLAMP	5	27
F286772-1	CLAMP	31	9	F381896-4	BATTERY CABLE (FORCE		
F289664	WIRE STATOR GROUND	7	58		MODELS)	5	-
F295175	WASHER, THERMOSWITCH	19	21	F391926-1	CHOKE SOLENOID		
F298788	FERRULE	41	7		PLUNGER	17	40

PARTS INDEX

Part Number	Description	Pg.	Ref. No.	Part Number	Description	Pg.	Ref. No.
F40008	STUD, SHORT	37	39	F433406	GASKET, DEFLECTOR PLATE	21	-
F40146-1	SEAL, CRANKSHAFT, LOWER	23	12	F433689	BEARING, TOWERSHAFT	27	10
F40146-1	SEAL, CRANKSHAFT, UPPER	23	1	F433946	SHOCK MOUNT UPPER COVER	31	8
F40151-2	PLATE, EXHAUST PORT	19	3	F433972	SHOCK MOUNT LOWER COVER - STARBOARD	33	85
F40154-4	GASKET, EXHAUST PORT PLATE	19	-	F433973	SHOCK MOUNT LOWER COVER - PORT	31	26
F40154-4	GASKET, EXHAUST PORT PLATE	19	2	F434754	FUEL LINE, PUMP TO CARBURETOR	13	10
F40209	CARBURETOR STUD	29	3	F435057	BEARING, DRIVESHAFT UPPER	39	45
F40223	GASKET, TRANSFER PORT COVER	13	22	F435077	SCREEN, WATER INLET	39	44
F40223	GASKET, TRANSFER PORT COVER	19	-	F435133-1	MOTOR LEG	31	23
F40223	GASKET, TRANSFER PORT COVER	25	25	F435244	INLET WATER LINE	37	7
F40279-1	CYLINDER EXHAUST GASKET LOWER	31	13	F435323	PACKING, LEG COVER LOWER	35	92
F40279-1	GASKET, CYLINDER EXHAUST - LOWER	21	-	F435555	SEAL, GEAR HOUSING	39	41
F40307-2	SEAL, DRIVESHAFT	39	46	F435562	BACK PLATE, WATER PUMP	39	-
F40342	SEAL	37	5	F435562	WATER PUMP BACK PLATE	39	47
F40342	SEAL, PROPELLER NUT	37	11	F435705	GEAR SHIFT ROD LOWER	37	36
F40410	SNAP RING	23	13	F438165	SCREW, FUEL SEDIMENT BOWL	13	6
F404801	FITTING	25	21	F438500	BOWL, FUEL SEDIMENT	13	5
F404841	CABLE OVERHEAT BUZZER	7	74	F438617	GASKET, FUEL SEDIMENT BOWL	13	3
F405457	SCREW, PIVOT	27	31	F438653	SCREEN, FUEL PUMP	13	4
F40717	THRUST WASHER, BEVEL GEAR	37	19	F438747	DIAPHRAGM, FUEL PUMP	13	15
F40833-4	GASKET, IDLE RELIEF COVER	19	-	F438760	GASKET, FUEL PUMP	13	16
F40833-4	MOTOR LEG EXHAUST COVER GASKET	31	21	F438801	ELBOW	13	11
F40906-1	CARBURETOR GASKET	15	33	F449843-1	CABLE	47	33
F40906-1	GASKET, CARBURETOR	21	-	F452925	CHOKE SOLENOID ROD	15	39
F40909	PIN, LOCATING	21	36	F455690	SET SCREW	43	31
F409251-1	GAUGE CAP (CANADA ONLY)	41	1	F458774	BRACKET RETAINER - REAR	3	11
F413181	PLATE	49	39	F463314	ELBOW W/CHECK VALVE	25	28
F413387	DECAL, POWER TILT	47	17	F463314	ELBOW, CHECK VALVE	19	10
F413415	PHENOLIC WASHER	47	5	F463864	RETAINER, TILT HANDLE	3	5
F413420	RETAINER	47	37	F465985	BLANKET, SILENCER - SIDE (NOT SHOWN)	3	-
F413440	STUD, BRACKET UPPER	47	8	F466095	STATOR	7	59
F413441	BRACKET, TILT LOWER	47	21	F466479	BREAKER PLATE SHOE	7	62
F420541-1	VALVE BODY AND GEAR CASE ASSEMBLY	47	15	F467841	COIL WIRE - CANADA	5	-
F433065-2	IMPELLER	39	-	F474073-1	CLAMP SCREW	33	73
F433065-2	WATER PUMP IMPELLER	39	48	F474992	BLANKET SILENCER - FRONT (NOT SHOWN)	3	-
F433114	HANDLE, LOCK BAR	33	76	F485755-1	FUEL TANK ADAPTER	41	3
F433168	CARBURETOR ADAPTER GASKET	29	5	F498618	SEAL, O-RING	37	30
F433168	GASKET, CARBURETOR ADAPTER	21	-	F498891	GEAR SHIFT ARM PIVOT PIN	37	29
F433192	CAM, THROTTLE	27	6	F50109	PLUG, GEAR HOUSING	37	27
F433209-1	STUD, THROTTLE CAM	27	1	F510374-1	DECAL, CIRCUIT BREAKER	7	35
F433254	HOSE	25	20	F510460	CIRCUIT BREAKER	7	34
F433404	DEFLECTOR PLATE	29	7	F522032	STERN BRACKET - STARBOARD	33	67
F433406	DEFLECTOR PLATE GASKET	29	8	F522125-1	TUBE, PIVOT STEERING	33	70
				F522286	STERN BRACKET FRICTION WASHER	31	37
				F522359	SPACER, STEERING LINK	35	100
				F522532-1	STERN BRACKET - PORT	31	43

PARTS INDEX

Part Number	Description	Pg.	Ref. No.	Part Number	Description	Pg.	Ref. No.
F522884	BEARING, REVERSE LOCK			F5H081	BATTERY CABLE	55	-
	SHAFT	33	57	F5H084	TRAILERING TILT LOCK	35	104
F544390-1	DECAL, TILT LOCK	33	50	F5H084	TRAILERING TILT LOCK	55	-
F545442	BRACKET, TILT UPPER	47	7	F5H120	REMOTE CONTROL BACK		
F549189	BUSHING ELECTRIC CABLE				PLATE	55	-
	ENTRY	3	14	F5H130-1	HOUSING	45	36
F563	TERMINAL BLOCK KIT	56	-	F5H130-1	REMOTE CONTROL		
F575675	BRACKET, STARTER				SURFACE MOUNT		
	MOUNTING, LOWER	25	7		(SINGLE LEVER)	55	-
F575955	STARTER MOTOR			F5H132	REMOTE CONTROL HANDLE		
	COMPLETE	11	-		TRIM SWITCH	56	-
F580892-2	DECAL	43	27	F5H141	LINK, STEERING	35	99
F58685-2	CONNECTOR, SHIFT CABLE			F5H141	STEERING LINK KIT	56	-
	(FORCE AND BAYLINER			F5H143	POWER TILT	55	-
	MODELS)	43	2	F5H147	POWER TRIM	55	-
F590	REMOTE CONTROL FLUSH			F5H153	TACHOMETER	56	-
	MOUNT (SINGLE LEVER)	56	-	F5H154	SPEEDOMETER	56	-
F5H019	ANTI-CORROSION KIT	55	-	F5H156	TEMPERATURE GAUGE	55	-
F5H020	CARRYING HANDLE	55	-	F5H157	VOLTMETER	56	-
F5H021	BATTERY EXTENSION			F5H159	HOURMETER	56	-
	CABLE	55	-	F5H160	POWER TRIM INDICATOR	55	-
F5H023	REMOTE STEERING			F5H176	FUEL TANK	41	2A
	BRACKET	56	-	F5H177	FLUSHING ADAPTER	55	-
F5H025	ANTI-CORROSION			F5H190/___	REMOTE CONTROL CABLE,		
	SACRIFICIAL ANODE	55	-		(SPECIFY LENGTH - X) (2		
F5H026-1	FUEL TANK (ACCESSORY				PER SET)	43	-
	ITEM) -	41	2	F5H191	FORCE BLUE ENAMEL	55	-
F5H026-1	FUEL TANK, 6 GALLON,			F5H192	FORCE BLUE ENAMEL	55	-
	STEEL	55	-	F628061-1	CARBURETOR ASSEMBLY		
F5H028	SENDING UNIT	55	-		(WE-17)	15	-
F5H029	FUEL TANK ANCHOR	55	-	F629449	THERMOSWITCH		
F5H030	SWITCH KIT - RUNNING				W/LOCKSWASHER, NEX		
	LIGHTS	56	-		NUT & WASHER	19	20
F5H031	SWITCH KIT - SPOT LIGHT	56	-	F629843	ELECTRIC CONTROL CABLE		
F5H032	SWITCH KIT - WIPER	56	-		- 14 1/2 FT. (507X6A		
F5H034	SWITCH KIT - BILGE PUMP	56	-		507XC6A)	5	7
F5H035	SWITCH KIT - HORN	56	-	F629896	BATTERY CABLE (BAYLINER		
F5H036	SWITCH KIT - TACHOMETER				MODELS)	5	24
	TRANSFER	56	-	F650450	RECTIFIER	5	12
F5H037	SWITCH KIT - LIGHTER	56	-	F654618	"O" RING, END HEAD SEAL	47	13
F5H038	IGNITION SWITCH			F654976	CONNECTOR, THROTTLE		
	MOUNTING KIT				CABLE (BAYLINER		
	(ACCESSORY ITEM)	5	22		MODELS)	43	-
F5H038	SWITCH KIT - IGNITION	56	-	F658015	PISTON (STANDARD)	23	16
F5H039	SWITCH KIT -			F658017	PIN, PISTON	23	18
	INSTRUMENTS	56	-	F658066	COVER, THERMOSTAT	19	28
F5H041	BATTERY TERMINAL KIT	55	-	F658152	COVER, EXHAUST PORT	19	4
F5H041	BATTERY TERMINAL KIT			F658208	RETAINER	39	60
	(ACCESSORY ITEM)	5	25	F658268	SPRING, THERMOSTAT	19	26
F5H055	WATER PUMP KIT	55	-	F658418	TUBE, COOLING SYSTEM	19	30
F5H070	REMOTE ELECTRIC CABLE	56	-	F658504	WASHER, THERMOSTAT	19	24
F5H073	OVERHEAT BUZZER			F658518	HEAD, CYLINDER	19	14
	(ACCESSORY ITEM)	9	76	F658529	GASKET, CYLINDER HEAD	19	13
F5H073	OVERHEAT BUZZER KIT	55	-	F658529	GASKET, CYLINDER HEAD	21	-
F5H075	WIRING HARNESS (24")	56	-	F658680	SPACER PLATE	31	2
F5H076	SWITCH EXTENSION CABLE			F658758	HOSE	25	27
	(5')	56	-	F658758	HOSE, IMPULSE	13	20
F5H077	IGNITION KEY SWITCH	55	-	F658803	GASKET, SPACER PLATE	13	2
F5H078	IGNITION KEY SWITCH	55	-	F658836	SPACER, FUEL PUMP	13	17
				F658995	COVER, CYLINDER HEAD	19	15

PARTS INDEX

Part Number	Description	Pg.	Ref. No.	Part Number	Description	Pg.	Ref. No.
F660189	BUSHING, CABLE ENTRY ..	3	18	F84792	GASKET, FUEL PUMP VALVE	13	23
F662386	DECAL, "50"	3	35	F85372	PIN, GEAR SHIFT ROD LOWER	37	38
F662397	DECAL, ENGINE COVER BOTTOM STRIPE	3	9	F8538	SPRING PIN	33	72
F662915	DECAL, ENGINE COVER TOP STRIPE	3	34	F85502	LINK, THROTTLE	27	8
F663366	MEDALLION "FORCE"	3	36	F8559	PIN, DOWEL	19	32
F665387	DECAL, "US MARINE"	3	30	F85610	BEARING	27	24
F7004	NUT, STOP, 7/16 - 20	27	26	F85634-2	SCREW, CONNECTING ROD SEAL, TRIM (INSIDE OF COVER)	3	32
F7007	NUT	31	44	F85735-1	SUPPORT PLATE PACKING	3	12
F7008	NUT, ELASTIC, STOP, 1/4 - 20	27	4	F85843-1	ELECTRIC CONTROL CABLE - 18 FT. (507F6A 507FC6A)	5	-
F7008	STOP NUT	11	17	F85908-1	WIRE, STARTER	11	6
F7011	HEX NUT, 10 - 24	3	6	F88161-4	REED STOP	29	11
F7025	STOP NUT, 3/8 - 16, S.S.	47	3	F89011	SWIVEL BRACKET WASHER	31	31
F762	REMOTE ELECTRIC CABLE	56	-	F89025	PAD, DAMPENING - LEG COVER	35	94
F8003	WASHER, PLAIN	25	14	F89504	GROMMET, MOTOR LEG EXHAUST COVER	35	93
F8011	PLAIN WASHER	7	33	F89777-1	LATCH CAM	3	23
F8025	PLAIN WASHER	31	10	F90014	BEARING, CRANKSHAFT, LOWER MAIN	23	11
F8038	PLAIN WASHER	31	15	F901563	DRIVE PIN	39	-
F8039	WASHER, CYLINDER HEAD BOLTS	19	16	F901563	DRIVE PIN, WATER PUMP IMPELLER	37	4
F8042	PLAIN WASHER	37	6	F9018	PLASTIC CAP, PIVOT TUBE	33	71
F8049	BOWED SPRING WASHER	33	81	F9052	PLASTIC PLUG, PIVOT TUBE	33	46
F8056	LOCKWASHER	19	19	F90619-2	YOKE	39	56
F8056	SPRING LOCKWASHER	5	13	F90871-3	GEAR SHIFT ARM PIN	37	22
F8058	WASHER, TOOTH, EXTERNAL	27	3	F91446-1	CIRCUIT BREAKER BRACKET	7	36
F8060	WASHER, EXTERNAL TOOTH LOCK	23	3	F92498	KEY	7	43
F8061	INTERNAL TOOTH LOCKWASHER	43	12	F92498	KEY, FLYWHEEL	23	21
F8065	LOCKWASHER	39	59	F92759	ROLLER	17	43
F8065	SPRING LOCKWASHER	31	25	F93472-1	GASKET, CYLINDER DRAIN COVER	21	-
F8065	SPRING LOCKWASHER, S.S.	47	4	F93472-1	GASKET, CYLINDER DRAIN COVER	25	16
F8077	WASHER, GEAR HOUSING PLUG	37	28	F93748-1	GASKET, CYLINDER DRAIN REED PLATE	21	-
F8078	LOCKWASHER	47	35	F93748-1	GASKET, CYLINDER DRAIN REED PLATE	25	9
F8083	LOCKWASHER	13	7	F93811	SCREEN, CYLINDER DRAIN REED PLATE	25	10
F8083	LOCKWASHER, SPRING	25	6	F93920	REED STOP, CYLINDER DRAIN	25	13
F8083	PLAIN WASHER	35	103	F97008-1	STUD, LONG	37	31
F8083	SPRING LOCKWASHER	5	9	F97067	GASKET, THERMOSTAT COVER	19	27
F8083	SPRING LOCKWASHER	31	18	F97067	GASKET, THERMOSTAT COVER	21	-
F8088	PLAIN WASHER	7	66	F97068-2	THERMOSTAT	19	25
F8088	PLAIN WASHER	15	37	F97772	CLAMP, FUEL LINE	13	9
F8094	PLAIN WASHER	7	40	F98273	STUD, ROD END CONNECTOR	27	29
F8096	LOCKWASHER, SPRING	19	33	F99521-1	CLUTCH	37	24
F8096	LOCKWASHER, SPRING	25	2				
F8096	SPRING LOCKWASHER	3	22				
F8096	SPRING LOCKWASHER	7	39				
F84026	SWIVEL, SPARK CONTROL	27	18				
F84035-2	BEARING, SPARK CONTROL, R.H.	27	21				
F84036	BEARING, SPARK CONTROL, L.H.	27	17				
F84280	KINGPIN NUT	31	30				
F84314-2	ELBOW, FUEL	25	26				
F84314-2	ELBOW, FUEL LINE	25	23				
F84449	NEUTRAL INTERLOCK SWITCH	7	65				

PARTS INDEX

Part Number	Description	Pg.	Ref. No.	Part Number	Description	Pg.	Ref. No.
FA307779	BAFFLE, AIR INTAKE	3	25	FK10202	REPAIR KIT.	15	32
FA328763	COVER LATCH HANDLE W/SHAFT	3	16	FK10209	GASKET KIT.	15	17
FA366778	ENGINE COVER RETAINER FORWARD	3	26	FK1073	WATER PUMP KIT.	39	58
FA40655	RACE, CRANKSHAFT CENTER MAIN BEARING W/SNAP RING (40410) . . .	23	7	FK1074	GEAR HOUSING SEAL KIT. .	39	57
FA411222	COVER, TRANSFER PORT .	25	22	FK1075	TUNE-UP KIT.	5	6
FA433113	STERN BRACKET LOCK BAR	33	74	FK1123	SPARKIE KIT	5	8
FA433167	CARBURETOR ADAPTER FLANGE	29	4	FK17114-1	INDICATOR	43	32
FA433471	COVER, CYLINDER DRAIN W/FITTING	25	17	FK17156	BAG ASSEMBLY (NOT SHOWN).	45	-
FA435018	CRANKSHAFT W/UPPER CRANKSHAFT BEARING (366013)	23	10	FK247	PROPELLER PIN, PACK OF 6	37	12
FA435116	EXHAUST, SNOUT	37	40	FK405020	SWIVEL W/#405457 AND NUT	27	12
FA435135	COVER, LEG ST'BD	35	90	FK433838	TOWERSHAFT	27	11
FA435145	COVER, LEG PORT	35	91	FK606711	PLATE, FRONT	3	29
FA435616	GEAR SHIFT ROD INTERMEDIATE	39	53	FK85228-1	CAGE, BEARING WITH ROLLERS (16 PER SET) .	23	8
FA438431	BODY, FUEL PUMP	13	12	FO14166	NEEDLE, IDLE	15	27
FA458480	ENGINE COVER RETAINER	3	7	FO15623	BOWL RING GASKET	15	15
FA463060	WATER PUMP BODY	39	-	FO16620	SHAFT RETAINER RING . . .	15	2
FA463060	WATER PUMP BODY	39	49	FOB3405	INSTALLATION INSTRUCTIONS	49	-
FA466144	CAGE, CRANKSHAFT BEARING W/CRANKSHAFT SEAL (401146)	23	4	FP293	PROPELLER (ACCESSORY ITEM)	37	8
FA485662	BEVEL GEAR REAR W/BEARING	37	18	FS307940	KINGPIN PLATE	31	6
FA485914	SEAL, INLET WATER LINE, LOWER	39	51	FS409752	FUEL LINE - COMPLETE - .	41	-
FA486054	GEAR HOUSING LOWER . .	37	26	FS662712	ENGINE COVER	3	1
FA545554	GEAR HOUSING UPPER . . .	39	42	FSA658015	PISTON (.010 OVER)	23	-
FA58976-1	CONNECTOR, THROTTLE CABLE (FORCE MODELS) D) (NOT SHOWN)	43	1	FSA658260	RING SET (.010 OVER) . . .	23	-
FA609853	DECAL, WARNING	7	73	FT11260	SPARK TESTER	53	-
FA613072	SWIVEL BRACKET	31	36	FT1749	RETAINING RING PLIERS . .	51	-
FA616497	TERMINAL BLOCK	5	3	FT2910	KNOCK-OFF-NUT	50	-
FA658010	CYLINDER W/CRANKCASE COVER AND DEFLECTOR PLATE	19	1	FT2938-1	TEST LIGHT	53	-
FA658158	REED PLATE	29	9	FT2951	CIRCUIT TRACER	53	-
FA658260	RING SET (STANDARD) . . .	23	17	FT2953	SOCKET	51	-
FA658746	COVER, FUEL PUMP	13	1	FT2955A	TEST WHEEL	53	-
FA84754-1	FUEL LINE SHORT	41	8	FT2961	LUBRICANT - RYKON GREASE #2EP	54	-
FA89128-1	DRIVESHAFT	37	3	FT2962-2	SEALANT - 50 CC LOCTITE H, NON-HARDENING GRADE	54	-
FA89832-2	MOTOR LEG EXHAUST COVER	31	20	FT2963-2	SEALANT - 2 OZ. LOCTITE #271	54	-
FA94094-2	PROPELLER NUT	37	9	FT2987-1	LUBRICANT - ANTI-SEIZE . .	54	-
FC311398	DECAL, TOTE TANK- CANADA (NOT SHOWN) .	41	-	FT2990	PISTON PIN REMOVER	51	-
FC486054	GEAR HOUSING KIT.	37	-	FT2991	CARBON BRUSH	51	-
FC629010	SHORT BLOCK.	19	-	FT2996	RING COMPRESSOR	51	-
FC658746	FUEL PUMP COMPLETE . . .	13	-	FT2998	TORQUE WRENCH (0- 100LBS./FT.)	51	-
FG1024	GASKET SET	19	35	FT2999	TORQUE WRENCH (0- 600LBS./IN.)	51	-
FK10120-1	FLOAT KIT, VALVE & SEAT .	15	31	FT3431	SEAL INSTALLER	52	-
				FT3510	SEAL INSTALLER	51	-
				FT3512	SEAL SLEEVE	51	-
				FT8900	HOSE CLAMP PILERS	51	-
				FT8904	FORWARD BEARING CUP INSTALLER	52	-
				FT8907	DRIVER HANDLE	52	-
				FT8918	BUSHING GUIDE SET	52	-
				FT8919	SPRING PIN PUNCH	52	-

PARTS INDEX

Part Number	Description	Pg.	Ref. No.	Part Number	Description	Pg.	Ref. No.
FT8921	FORWARD BEARING CUP						
	REMOVER	52	-				
FT8926	RING EXPANDER	51	-				
FT8930-1	FEELER GAUGE	50	-				
FT8935	SEALANT PRIMER - 6 OZ.						
	LOC QUIC T	54	-				
FT8936-1	SEALANT - 2 CC LOCTITE						
	RETAINING COMPOUND						
	#75	54	-				
FT8945	RETAINER PUNCH	52	-				
FT8948-1	PULLER	50	-				
FT8948-1	PULLER	52	-				
FT8950	LEAKAGE TESTER	53	-				
FT8957	SEAL INSTALLER	52	-				
FT8962	BEARING INSTALLER	52	-				
FT8964	BEARING REMOVER	52	-				
FT8969	LUBRICANT - 7 OZ.						
	LUBRICANT LPS-1	54	-				
FT8978	TIMING LIGHT	50	-				
FT8983	SEALANT - RTV	54	-				
FTA2937-1	TIMING TOOL	50	-				
26-817766A1	SEAL, KINGPIN PLATE	31	5				
31-817731A5	PROPELLER SHAFT						
	BEARING CAGE.	37	14				
32-817738A1	FUEL LINE, LONG	41	10				
33-82371M	SPARK PLUG, UL-81-J	19	23				
37-817792A1	DECAL, TIMING	29	13				
39-818131A1	RING SET (.030 OVER)	23	-				
43-817824A2	BEVEL GEAR FRONT						
	W/BEARING AND CUP	37	25				
44-819500A3	PROPELLER SHAFT						
	ASSEMBLY	37	21				
84-817765A2	COIL WIRE.	5	15				
89-817760A2	CHOKE SOLENOID	7	42				
200-817739A6	FLYWHEEL	7	71				
597-	US MARINE OUTBOARD						
	GEAR LUBE	55	-				
597-	US MARINE OUTBOARD						
	GEAR LUBE	56	-				
600-818052A4	ROD, CONNECTING W/CAP						
	AND SCREWS (85634-2)	23	14				
700-818130A1	PISTON (.030 OVER)	23	-				
F596-	US MARINE OUTBOARD OIL	56	-				