



# TABLE OF CONTENTS:

ACCESSORIES .....	65
ADAPTER AND REED PLATE .....	18
CARBURETOR .....	24
CRANKSHAFT AND PISTON .....	32
ELECTRICAL COMPONENTS .....	12
ENGINE COVER BAYLINER MODELS .....	4
ENGINE COVER CAJUN MODELS .....	8
ENGINE COVER FORCE MODELS .....	2
ENGINE COVER MAXUM MODELS .....	6
FUEL PUMP .....	22
FUEL TANK AND LINE .....	50
GEAR HOUSING .....	44
MOTOR LEG .....	34
PARTS BREAKDOWN TILT CYLINDER, TRIM CYLINDER, MOTOR & PUMP .....	58
PARTS INDEX .....	67
POWER TRIM UNIT .....	56
POWERHEAD .....	26
REMOTE CONTROL .....	52
SPECIAL TOOLS - GEAR HOUSING .....	62
SPECIAL TOOLS - LUBRICANTS AND SEALANTS .....	64
SPECIAL TOOLS - POWER HEAD .....	61
SPECIAL TOOLS - TEST EQUIPMENT .....	63
SPECIAL TOOLS - TUNE-UP .....	60
STARTER .....	16
SUPPORT PLATE .....	10
SWIVEL BRACKET AND STERN BRACKETS MODELS WITH POWER TRIM .....	42
SWIVEL BRACKET AND STERN BRACKETS MODELS WITHOUT POWER TRIM .....	38

**NOTE:** Indented description indicate that these parts are included in preceding assembly.

**AR** = As Required

**NSS** = Not Sold Separate

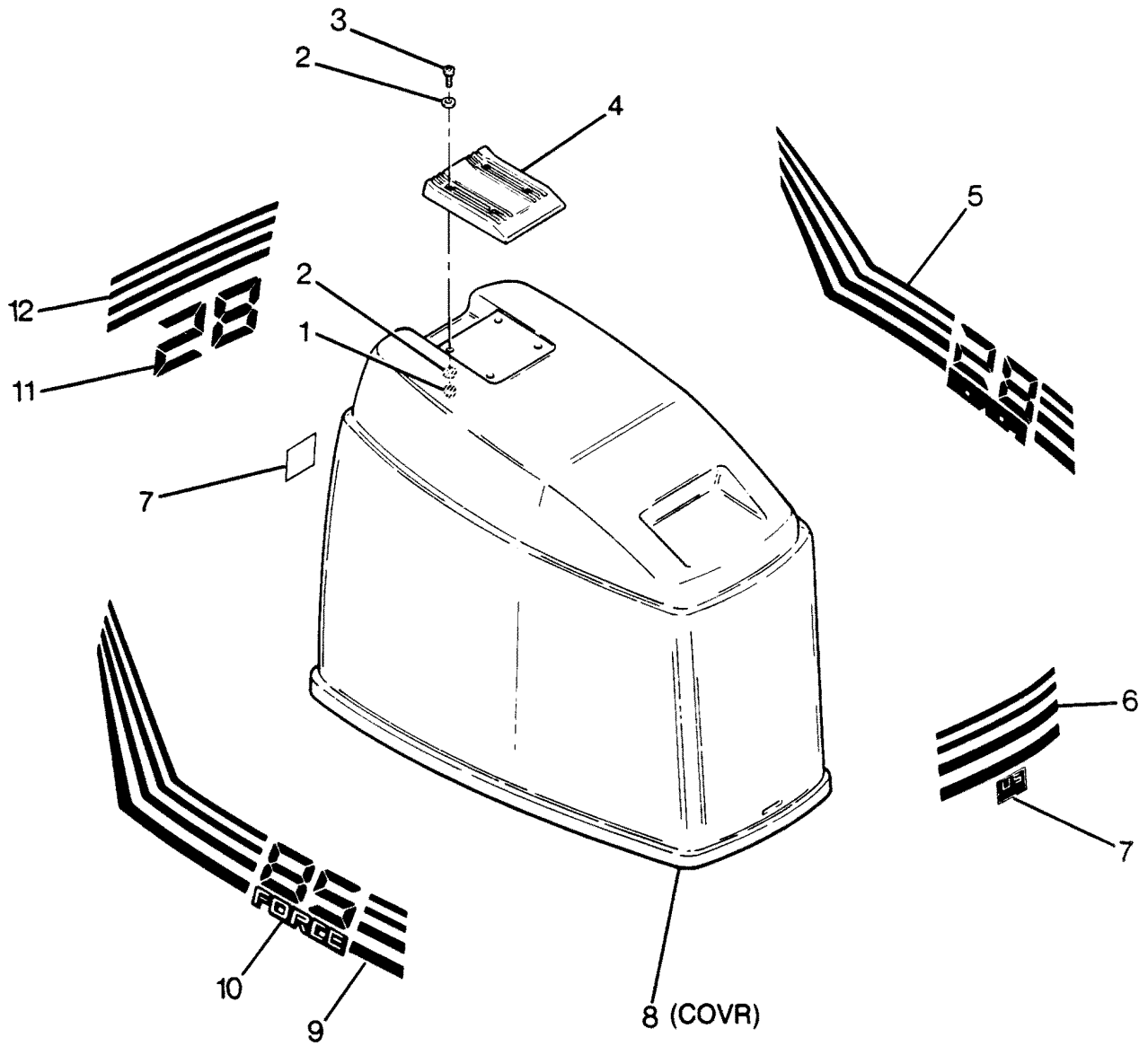
**OPT** = Optional

**NS** = Not Shown

**THESE PARTS BOOKS/FICHE CARD ARE COPYRIGHTED AND MAY NOT BE DISTRIBUTED OR REPRODUCED IN ANY OTHER FORMAT BY ANYONE OTHER THAN MERCURY MARINE WITHOUT THE PRIOR WRITTEN CONSENT OF MERCURY MARINE.**

THIS PAGE INTENTIONALLY LEFT BLANK

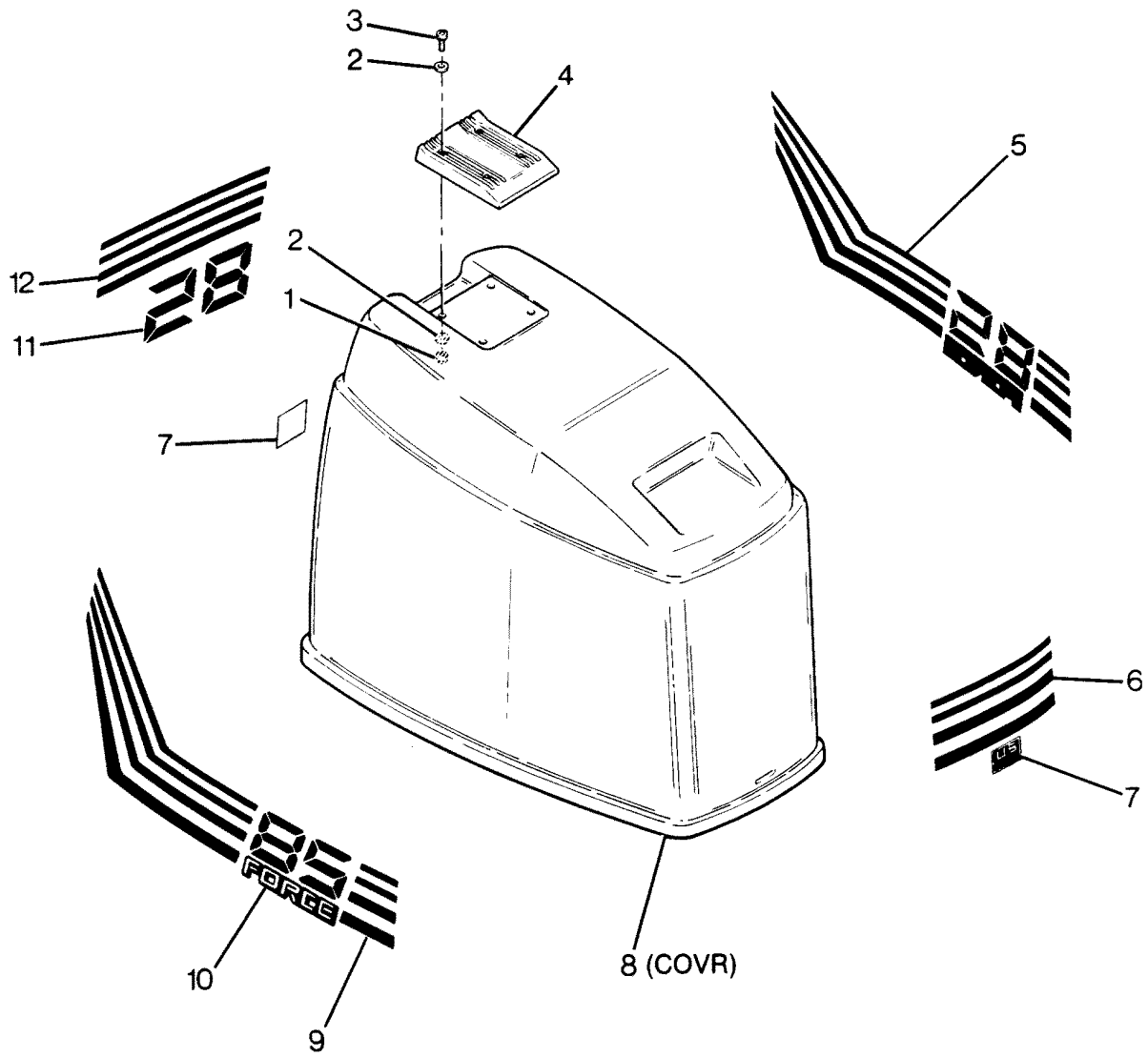
# ENGINE COVER FORCE MODELS



## ENGINE COVER FORCE MODELS

REF. NO.	PART NO.	SYM.	QTY.	DESCRIPTION
1	F7024		4	STOP NUT, 1/4 - 20
2	F2012		8	WASHER
3	F2143		4	HEX SOC. HD. SCREW, 1/4 - 20 X 1 S.S.
4	F663269		1	HANDLE, TILT
5	F685397-1		1	DECAL, PORT
6	F685892-1		1	DECAL, FRONT
7	F665387		2	DECAL, "US MARINE"
8	FS663712		1	ENGINE COVER, (WITHOUT PAINT, DECALS OR HARDWARE)
-	<b>F2C685712</b>		<b>1</b>	<b>ENGINE COVER, COMPLETE</b>
9	F685396-1		1	DECAL, STARBOARD
10	F663366		2	MEDALLION-FORCE
11	F663386		1	DECAL, "85"
12	F685528-1		1	DECAL, REAR
-	<b>F663984</b>		<b>1</b>	<b>BLANKET, TOP (NOT SHOWN)</b>
-	<b>F663985</b>		<b>2</b>	<b>BLANKET, SIDE (NOT SHOWN)</b>

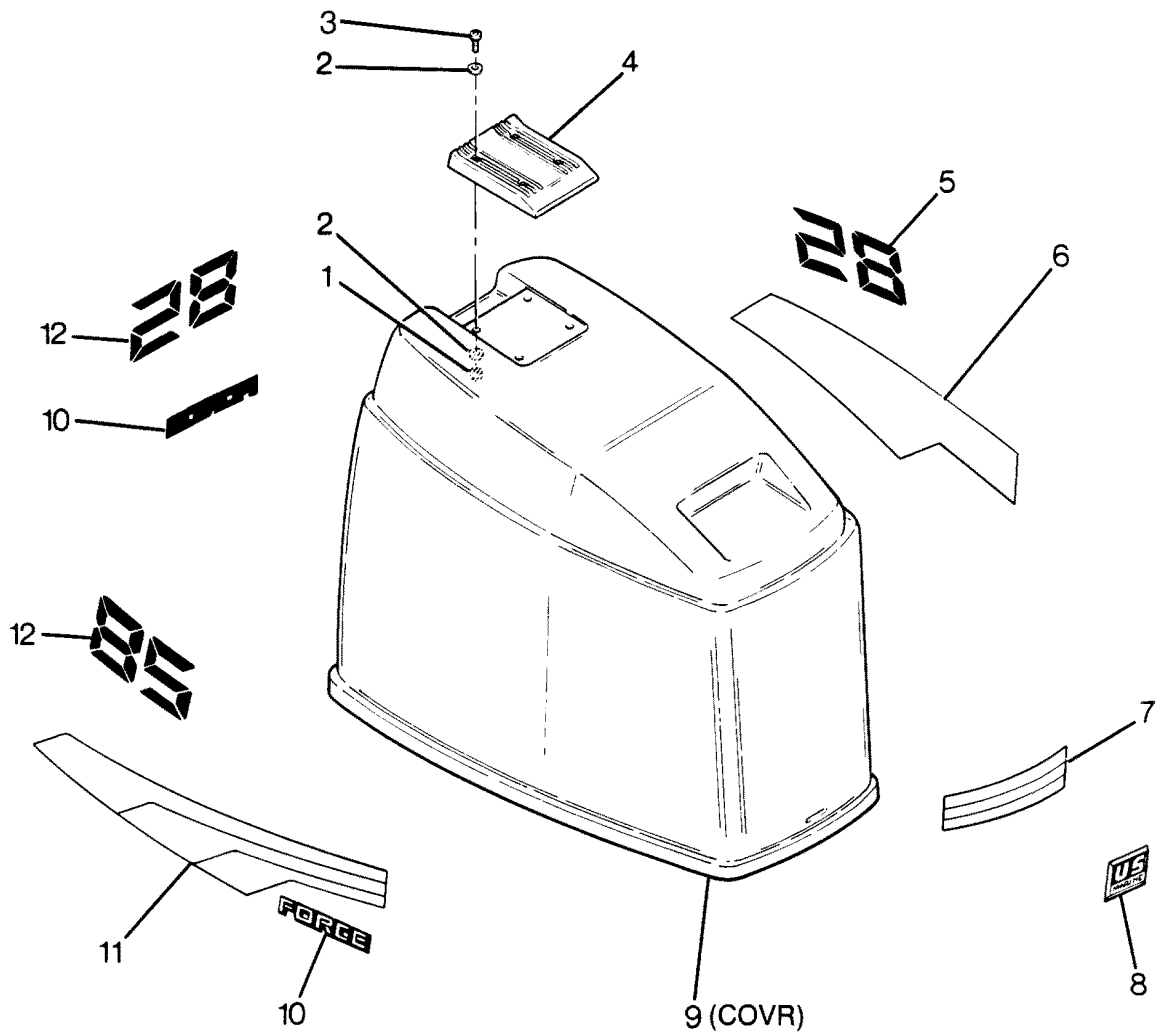
# ENGINE COVER BAYLINER MODELS



## ENGINE COVER BAYLINER MODELS

REF. NO.	PART NO.	SYM.	QTY.	DESCRIPTION
1	F7024		4	STOP NUT, 1/4 - 20
2	F2012		8	WASHER
3	F2143		4	HEX SOC. HD. SCREW, 1/4 - 20 X 1 S.S.
4	F663269		1	HANDLE, TILT
5	FX685397		1	DECAL, PORT
6	FX685892		1	DECAL, FRONT
7	F665387		2	DECAL, "US MARINE"
8	FS663712		1	ENGINE COVER, (WITHOUT PAINT, DECALS OR HARDWARE)
-	<b>F2C685712</b>		<b>1</b>	<b>ENGINE COVER, COMPLETE</b>
9	FX685396		1	DECAL, STARBOARD
10	F663366		2	MEDALLION-FORCE
11	F663386		1	DECAL, "85"
12	FX685528		1	DECAL, REAR
-	<b>F663984</b>		<b>1</b>	<b>BLANKET, TOP (NOT SHOWN)</b>
-	<b>F663985</b>		<b>2</b>	<b>BLANKET, SIDE (NOT SHOWN)</b>

# ENGINE COVER MAXUM MODELS

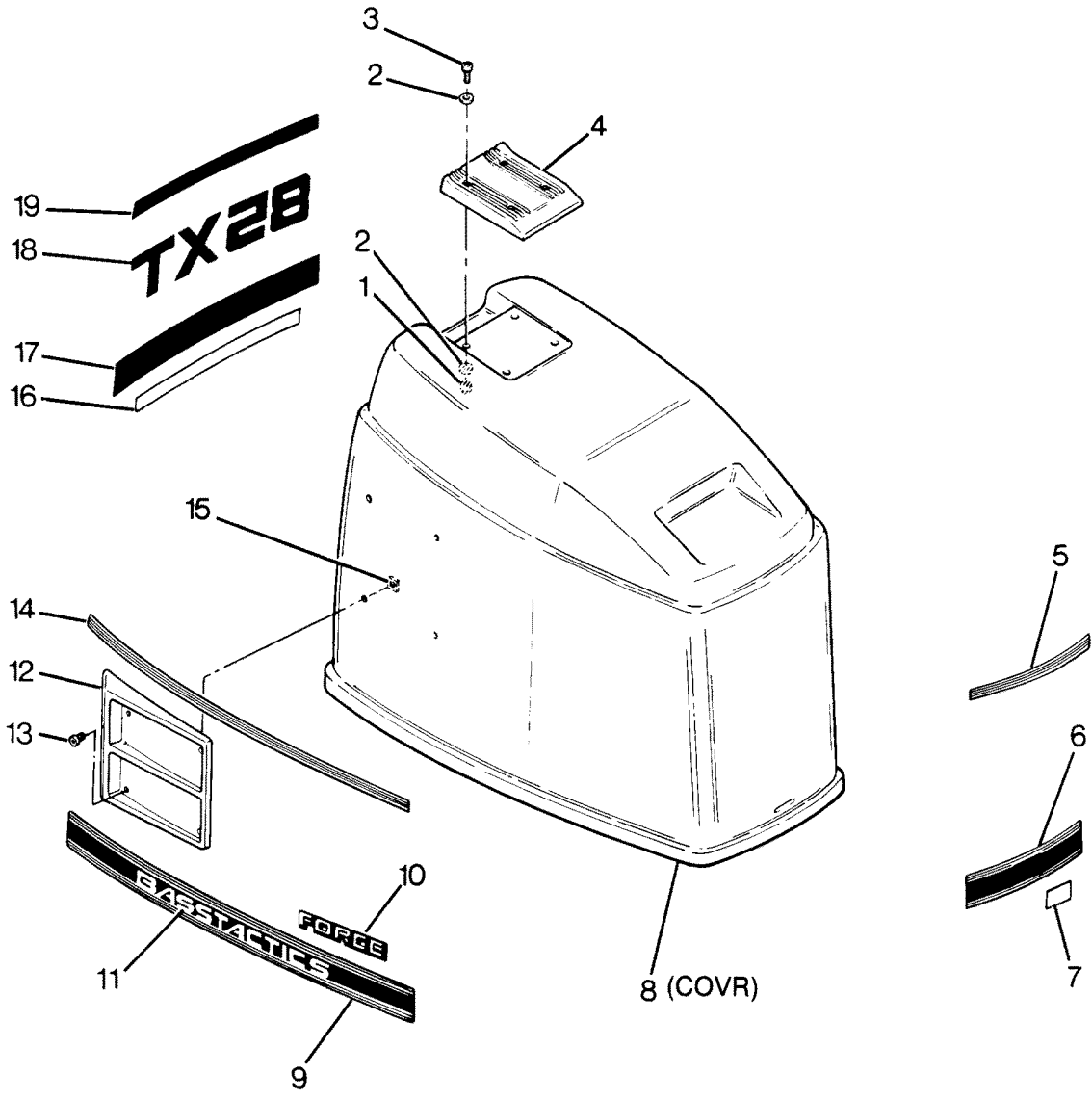




## ENGINE COVER MAXUM MODELS

REF. NO.	PART NO.	SYM.	QTY.	DESCRIPTION
1	F7024		4	STOP NUT, 1/4 - 20
2	F2012		8	WASHER
3	F2143		4	HEX SOC. HD. SCREW, 1/4 - 20 X 1 S.S.
4	F663269		1	HANDLE, TILT
5	FZ685385		1	DECAL, "85", PORT
6	FZ685397		1	DECAL, PORT
7	FZ685892		1	DECAL, FRONT
8	37-F694366-1		2	DECAL, "US MARINE"
9	FS663712		1	ENGINE COVER, (WITHOUT PAINT, DECALS OR HARDWARE)
-	<b>F2C685712</b>		<b>1</b>	<b>ENGINE COVER, COMPLETE</b>
10	F663366		3	MEDALLION-FORCE
11	FZ685396		1	DECAL, STARBOARD
12	FZ685386		2	DECAL, "85", STARBOARD & REAR
-	<b>F663984</b>		<b>1</b>	<b>BLANKET, TOP (NOT SHOWN)</b>
-	<b>F663985</b>		<b>2</b>	<b>BLANKET, SIDE (NOT SHOWN)</b>

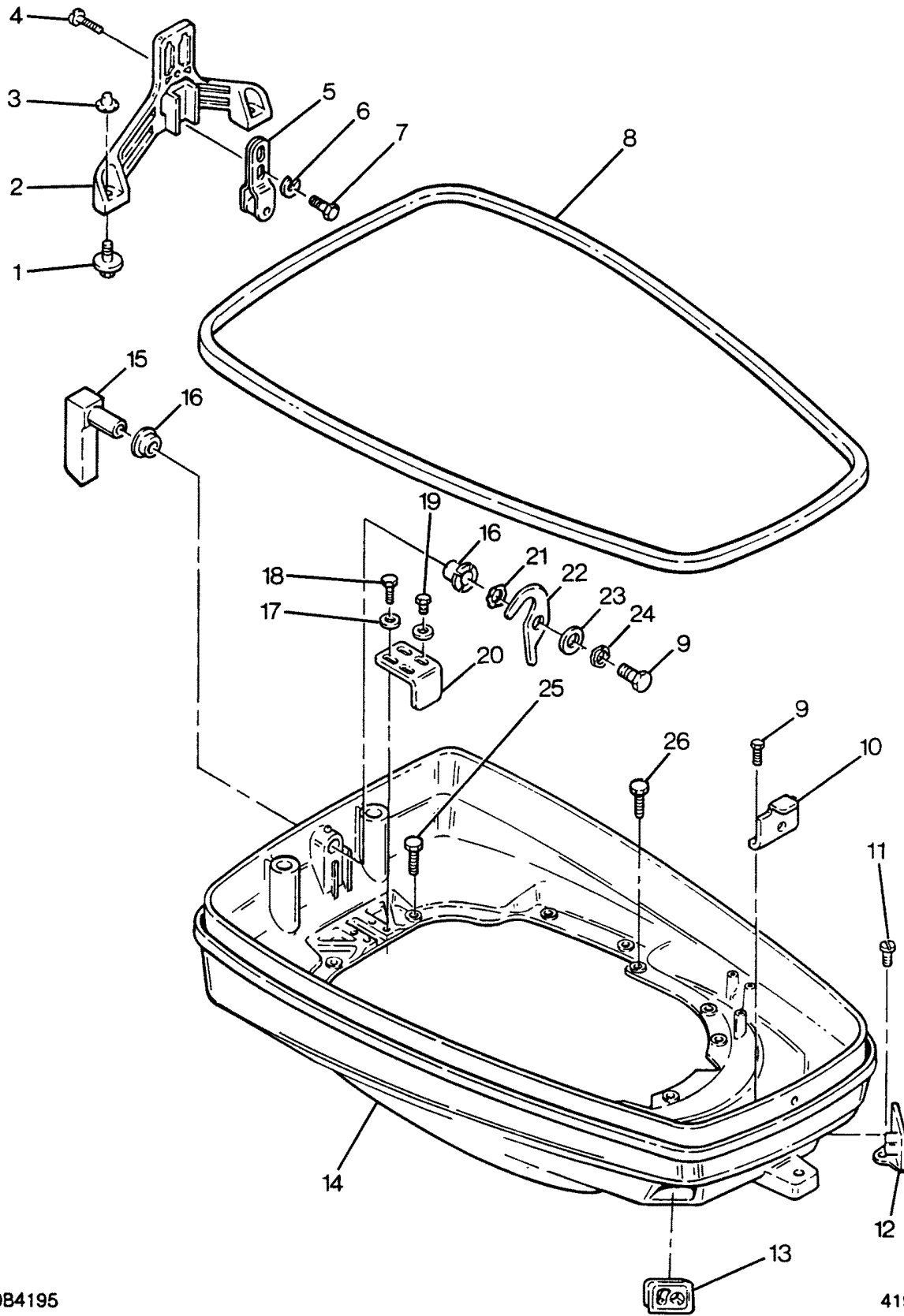
# ENGINE COVER CAJUN MODELS



## ENGINE COVER CAJUN MODELS

REF. NO.	PART NO.	SYM.	QTY.	DESCRIPTION
1	F7024		4	STOP NUT, 1/4 - 20
2	F2012		8	WASHER
3	F2143		4	HEX SOC. HD. SCREW, 1/4 - 20 X 1 S.S.
4	F663269		1	HANDLE, TILT
5	FM685894		1	DECAL, TOP-FRONT
6	FM685892		1	DECAL, BOTTOM-FRONT
7	F685387		1	DECAL, "US MARINE"
8	FS663712		1	ENGINE COVER, (WITHOUT PAINT, DECALS, OR HARDWARE)
-	<b>F2C685712</b>		<b>1</b>	<b>ENGINE COVER, COMPLETE</b>
9	FM685396		1	DECAL, BOTTOM-STARBOARD
10	F663366		2	MEDALLION-FORCE
11	FM685392		2	DECAL, "BASSTACTICS" (SIDE)
12	F685681		2	SCOOP, AIR
13	F2216		8	HEX SOC. HD. SCREW, 8-32 X 1/2 S.S.
14	FM685915		2	DECAL, TOP-SIDE
15	F1693		8	TINNERMAN NUT, 8-32
16	FM684392		1	DECAL, "BASSTACTICS" (REAR)
17	FM685528		1	DECAL, BOTTOM-REAR
18	FM685386		1	DECAL, "85XT"
19	FM685585		1	DECAL, TOP-REAR
-	<b>F663984</b>		<b>1</b>	<b>BLANKET, TOP (NOT SHOWN)</b>
-	<b>F663985</b>		<b>2</b>	<b>BLANKET, SIDE (NOT SHOWN)</b>

# SUPPORT PLATE



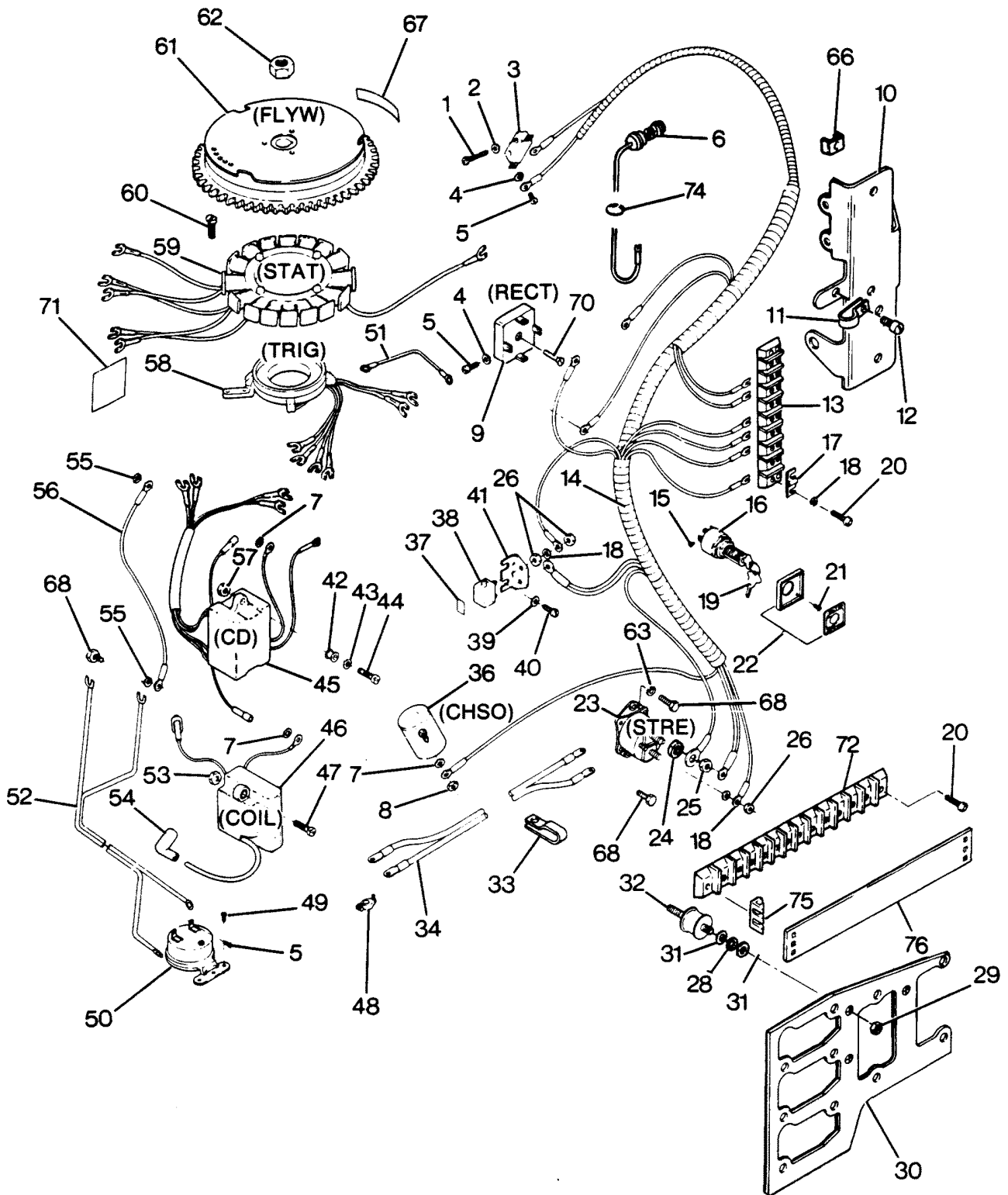
OB4195

41950-005

# SUPPORT PLATE

REF. NO.	PART NO.	SYM.	QTY.	DESCRIPTION
1	F481434		2	GUIDE, ENGINE COVER
2	F663774-1		1	BRACKET, ENGINE COVER LATCH
3	F2088		2	FASTENER
4	F1493		3	PAN HD. SCREW, 5/16 - 18 X 5/8 S.S.
5	FA481743		1	BRACKET, ROLLER LATCH W/ROLLER
6	F8096		2	SPRING LOCKWASHER
7	F1857		2	HEX CAP SCREW, 5/16 - 18 X 5/8
8	F663756		1	PACKING
9	F1854		3	HEX CAP SCREW, 1/4 - 20 X 5/8
10	F663480		1	RETAINER
11	F1733		3	PAN HD. SCREW, 10-24 X 9/16
12	F549189		1	BUSHING, ELECTRIC CABLE
13	F660189		1	BUSHING, CABLE ENTRY
14	F663038		1	SUPPORT PLATE
15	FA663469		1	ENGINE COVER LATCH HANDLE W/SHAFT
16	F286818		2	BEARING, LATCH SHAFT
17	F8096		4	SPRING LOCKWASHER
18	F1857		2	HEX CAP SCREW, 5/16 - 18 X 5/8
19	F1858		2	HEX CAP SCREW, 5/16 - 18 X 1
20	F335654-1		1	DEFLECTION STOP
21	F2047		1	WAVE WASHER
22	F481777		1	CAM, LATCH SHAFT
23	F8094		1	WASHER
24	F8083		1	LOCKWASHER
25	F1203		6	HEX CAP SCREW, 1/4 - 20 X 7/8
26	F1238		7	HEX CAP SCREW, 1/4 - 20 X 3/4

# ELECTRICAL COMPONENTS

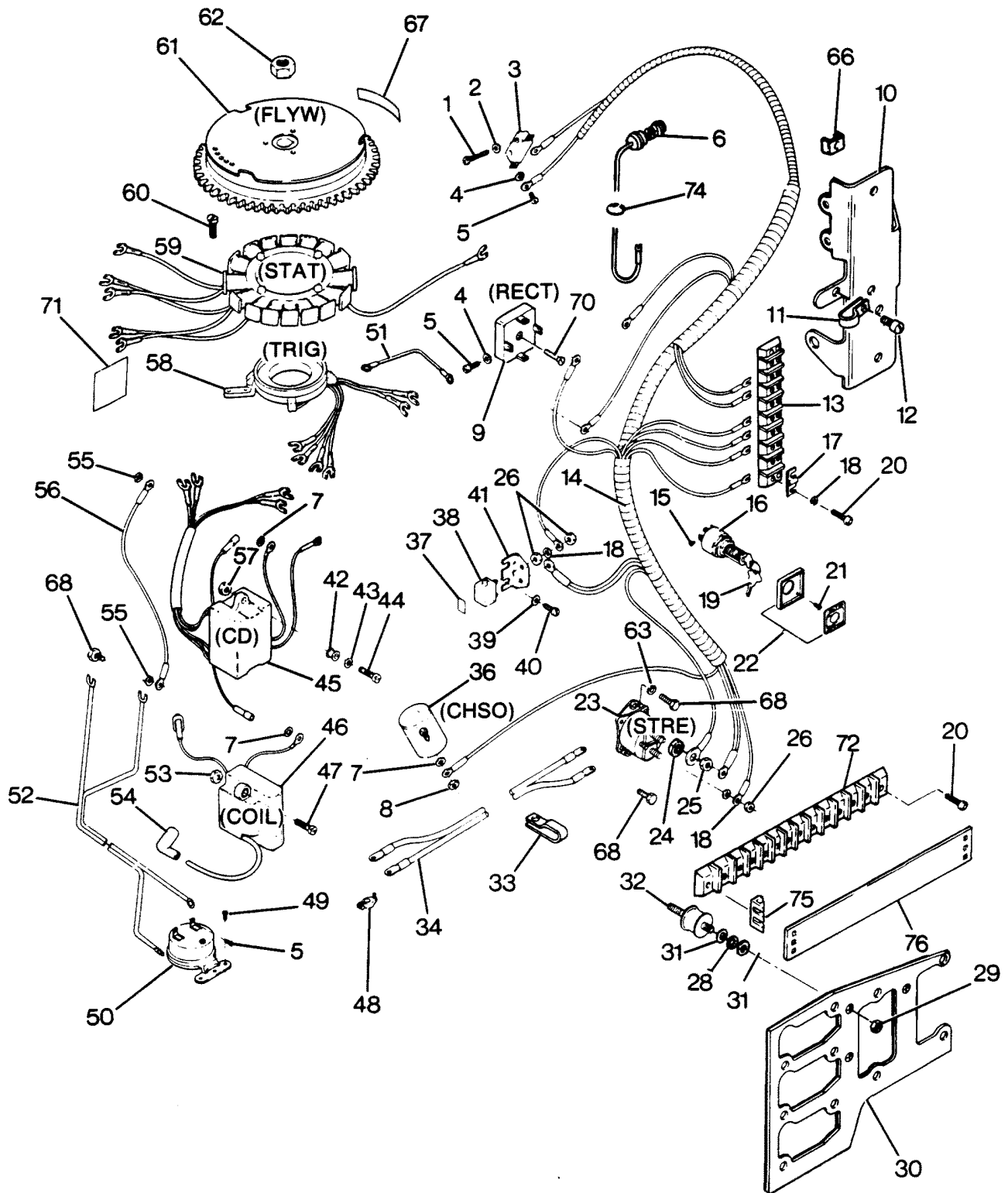


# ELECTRICAL COMPONENTS

REF. NO.	PART NO.	SYM.	QTY.	DESCRIPTION
1	F2016		2	SLOTTED FILL HD. SCREW, 6 - 32 X 7/8
2	F8088		2	PLAIN WASHER
3	F84449		1	NEUTRAL INTERLOCK SWITCH
4	F1704		6	INTERNAL TOOTH LOCKWASHER
5	F1645		8	HD. SCREW, 6 - 32 X 1/4
6	F629449		1	THERMOSWITCH
7	F8056		2	SPRING LOCKWASHER
8	F1647		2	HEX NUT, 8 - 32
9	F650450		1	RECTIFIER <b>WILLUS. 4, 5, 70 AND LITERATURE</b>
10	FA438493		1	BRACKET, TERMINAL BLOCK <b>WILLUS. 12 &amp; 66</b>
1	F289446-1		1	CLAMP, REMOTE ELEC. CABLE TO BRACKET
12	F1734		2	FILL HD. SCREW, 1/4 - 20 X 1/2
13	FA616497		1	TERMINAL BLOCK <b>WILLUS. 17 &amp; 20</b>
14	F653744		1	WIRING HARNESS
15	F1280		6	SLOTTED PAN HD. SCREW, 8 - 32 X 1/4
16	F5H078		1	SWITCH, IGNITION LONG BARREL W/KEYS AND SCREWS <b>(ACCESSORY ITEM)</b>
17	F307317		2	CLIP, TERMINAL BLOCK GROUND
18	F1975		6	LOCKWASHER
19	817782--1		0	KEY IGNITION - NO LETTER OR STAMPED A
-	<b>817883--1</b>		<b>0</b>	<b>KEY IGNITION - STAMPED B</b>
-	<b>817891--1</b>		<b>0</b>	<b>KEY IGNITION - STAMPED C</b>
-	<b>817928--1</b>		<b>0</b>	<b>KEY IGNITION - STAMPED D</b>
-	<b>817929--1</b>		<b>0</b>	<b>KEY IGNITION - STAMPED E</b>
-	<b>FA27232</b>		<b>1</b>	<b>EMERGENCY STARTER ROPE (NOT SHOWN)</b>
20	F1648		2	PAN HD. SCREW, 10 - 24 X 3/4
21	F1934		4	FLAT HD. SCREW, 6 X 1/2
22	F5H038		1	IGNITION SWITCH MOUNTING KIT (ACCESSORY ITEM)
23	FK460917		1	STARTER RELAY <b>WILLUS. 63, 68 AND LITERATURE</b>
24	F8096		2	SPRING LOCKWASHER
25	F1515		2	HEX NUT, S.S., 5/16 - 18
26	F1513		6	HEX NUT, 10 - 32
28	F8090		3	PLAIN WASHER
29	F1515		3	HEX NUT, S.S., 5/16 - 18
30	FS663358		1	BRACKET (C.D. - COIL)
31	F8124		6	EXTERNAL TOOTH LOCKWASHER
32	F215962		3	MOUNT (SHOCK - C.D. UNIT)
33	F407446		1	CLAMP
34	F381896-4		1	BATTERY CABLE
36	F654924		1	CHOKE SOLENOID
37	F510374-1		1	DECAL, CIRCUIT BREAKER
38	F510460		1	CIRCUIT BREAKER
39	F8011		2	PLAIN WASHER

CONTINUED ON NEXT PAGE ➡

# ELECTRICAL COMPONENTS

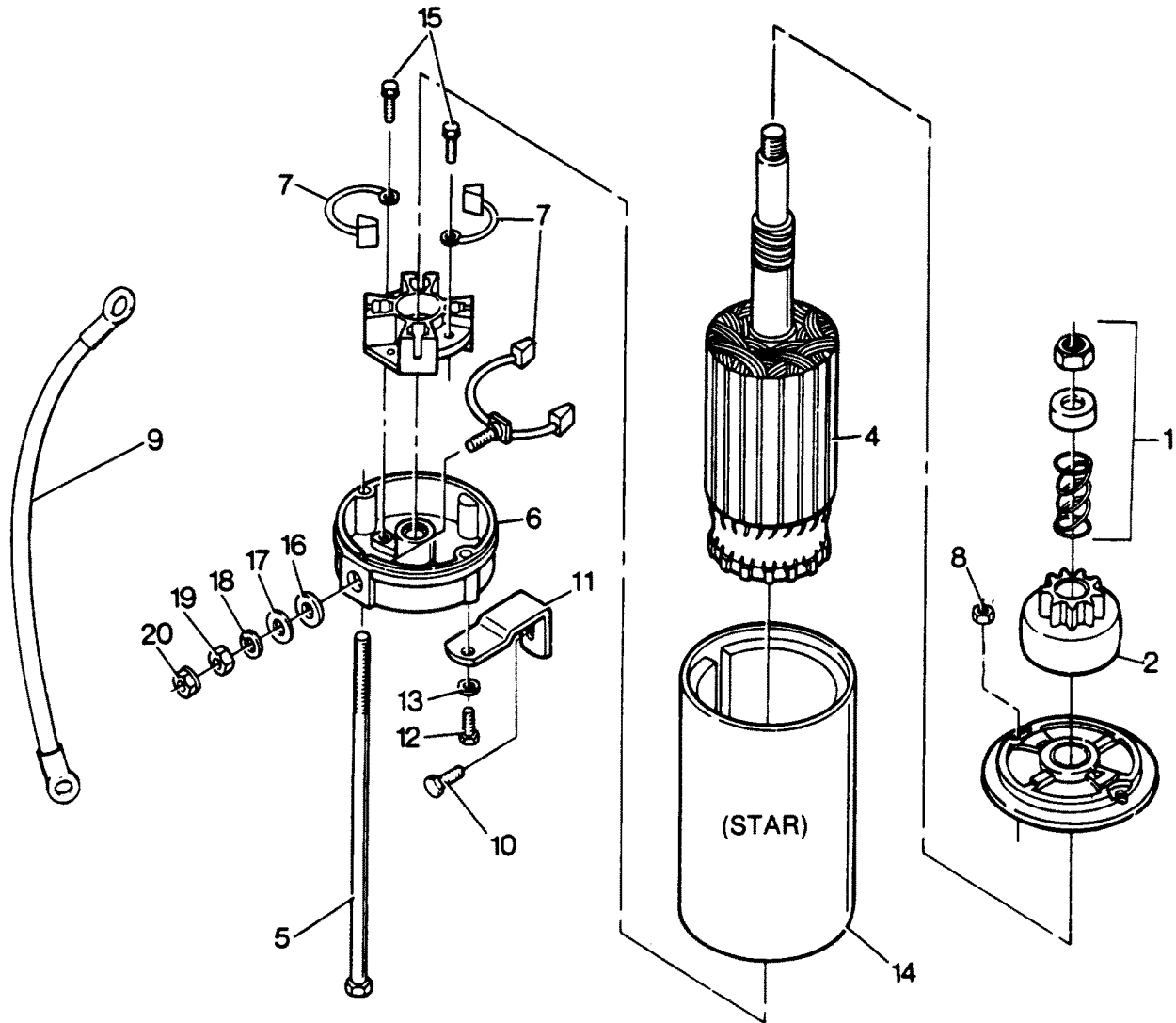




# ELECTRICAL COMPONENTS

REF. NO.	PART NO.	SYM.	QTY.	DESCRIPTION
40	F1760		2	SLOTTED PAN HD. SCREW, 10 - 24 X 3/8
41	F91446-1		1	CIRCUIT BREAKER BRACKET
42	F475504		4	GROMMET
43	F8028		4	PLAIN WASHER
44	F2008		4	HEX HD. M. SC., 1/4 - 20 X 7/8
45	F653301-1		2	MODULE
46	F615475		3	IGNITION COIL
47	F2008		6	HEX HD. MACH. SCREW, 1/4 - 20 X 7/8
48	F5H041		1	BATTERY TERMINAL KIT (ACCESSORY ITEM)
49	F1741		2	PAN HD. SCREW, 8 X 3/4
50	F5H043		1	BUZZER, HEAT INDICATOR (ACCESSORY ITEM)
51	F345683		1	WIRE, GROUND (RECTIFIER TO STARTER BOLT)
52	F404841		1	CABLE, HEAT INDICATOR
53	F1341		6	NUT, 1/4 - 20
54	FK1123		3	SPARKIE KIT
55	F2106		2	LOCKWASHER
56	F319908		1	WIRE, GROUND (C.D. - COIL BRACKET)
57	F1832		4	NUT, LOCK 1/4 - 20
58	F653029		1	TRIGGER ASSY.
59	F663095		1	ALTERNATOR STATOR
60	F1550		4	SLOTTED PAN HD. SCREW #12 - 24 X 1
61	200-817865A1		1	FLYWHEEL <b>W/ILLUS. 67 ORIGINAL FORCE P/N A 615097-1</b>
62	F1968		1	HEX NUT, 3/4 X 16
63	F8083		1	SPRING LOCKWASHER
66	F438668		1	RETAINER
67	FA609853		1	DECAL, WARNING <b>W/LITERATURE</b>
68	F1705		3	HEX HD. SCREW, 1/4 - 20 X 3/4
70	F1303		1	PAN HD. SCREW, 8 -32 X 3/4
71	F653398-1		1	DECAL, 3 CYL WIRING
72	F664497		1	TERMINAL BLOCK (12 POSITION)
74	F428096		1	RETAINER, THERMOSWITCH
75	F664384		2	CLIP, TERMINAL BLOCK COVER
76	F664672		1	COVER, TERMINAL BLOCK COVER
-	<b>F1877</b>		<b>1</b>	<b>TY-RAP (NOT SHOWN)</b>

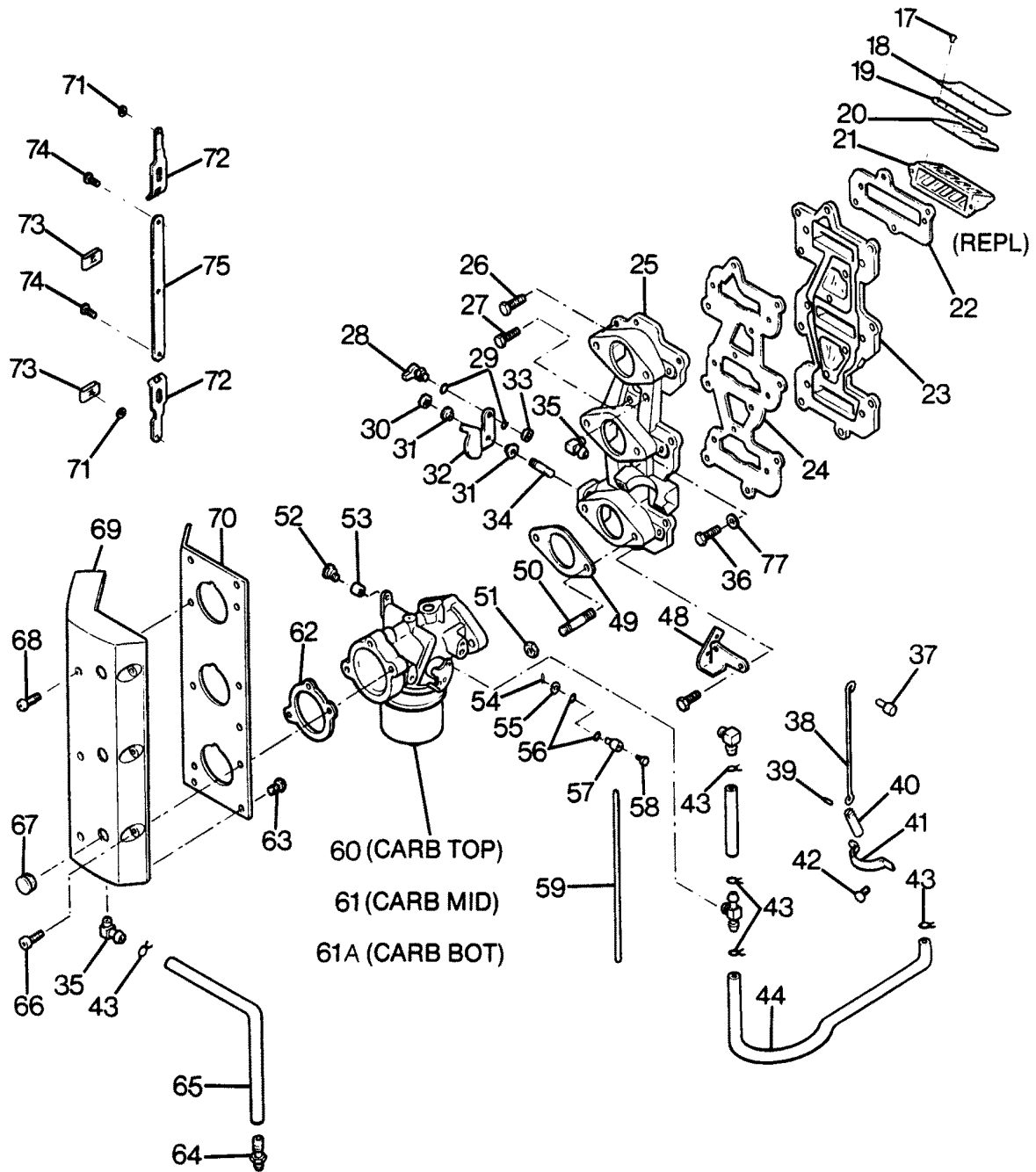
# STARTER



# STARTER

REF. NO.	PART NO.	SYM.	QTY.	DESCRIPTION
1	F15174		1	DRIVE KIT
2	F15175		1	DRIVE ASSEMBLY PINION
3	F15176		1	CAP STARTER DRIVE
4	F15177		1	ARMATURE
5	F15178		1	THRU BOLT PACKAGE
6	F15179		1	COMMUTATOR
7	F15164		1	BRUSH KIT
8	F1641		2	LOCK NUT
9	F85908-1		1	LEAD WIRE
10	F1922		1	HEX CAP SCREW, 1/4 - 20 X 5/8
11	F616675		1	STARTER BRACKET LOWER
12	F1854		1	HEX HD. CAP SCREW, 1/4 - 20 X 5/8
13	F8083		1	SPRING LOCKWASHER
14	F616955		1	STARTER COMPLETE. <b>INCLUDES ALL ITEMS MARKED WITH AN ASTERISK (*).</b>
15	F15158		1	SCREW, BRUSH HOLDER
16	F15160		1	INSULATOR WASHER
17	F15161		1	PLAIN WASHER
18	F15152		1	LOCKWASHER
19	F1341		1	NUT
20	F15162		1	NUT

# ADAPTER AND REED PLATE

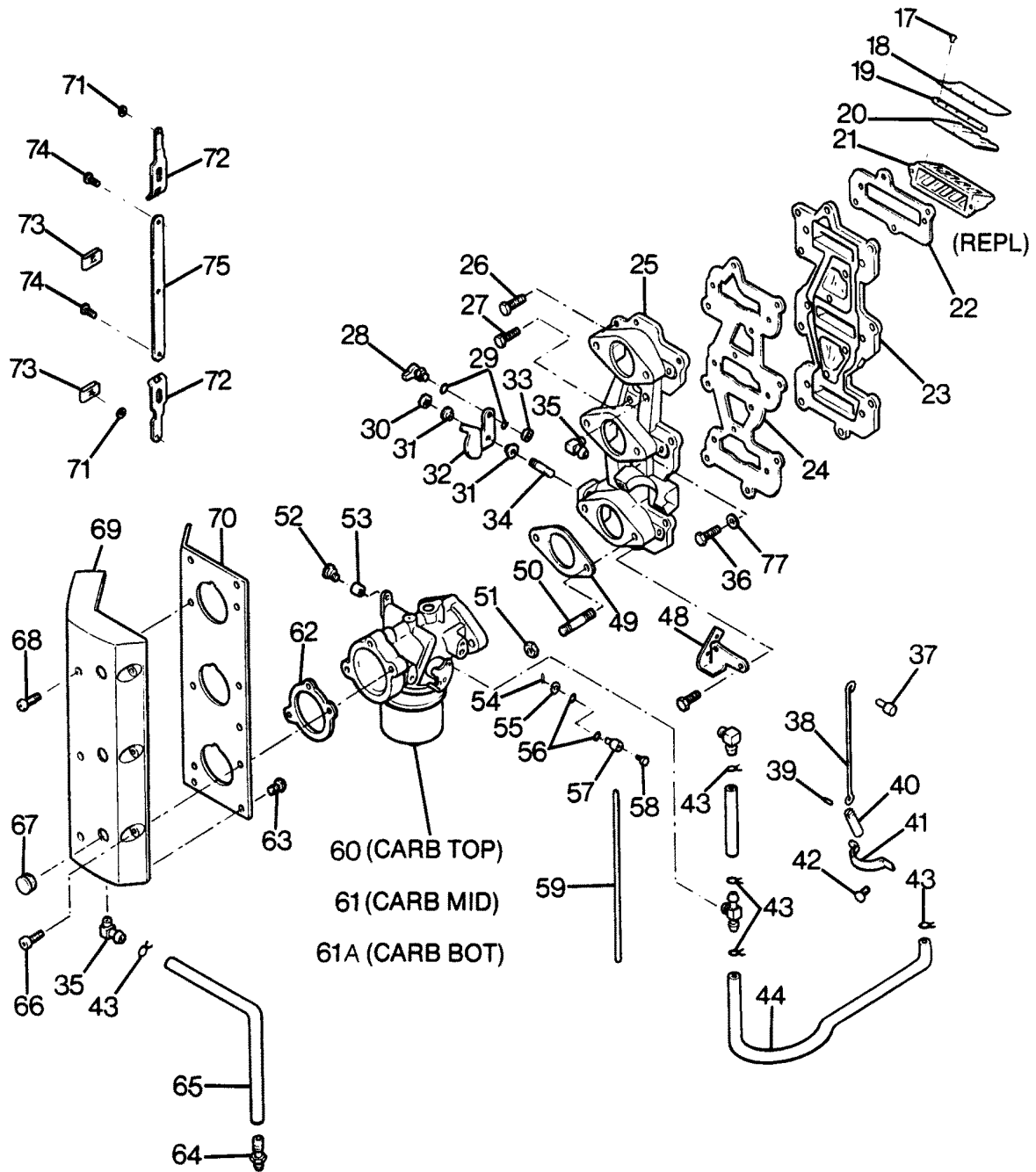


# ADAPTER AND REED PLATE

REF. NO.	PART NO.	SYM.	QTY.	DESCRIPTION
17	F1755		30	RD HD SCREW W/LOCKWASHER, 6 - 32 X 5/16
18	F85161-1		6	REED STOP
19	F523451		6	SPACER, REED STOP
20	F530160		6	REED (5 PETAL)
21	F3A523158		3	REED PLATE <b>W/ILLUS. 17, 18, 19 AND 20</b>
22	F85168-1		3	GASKET REED PLATE ADAPTER
23	F85162		1	REED PLATE ADAPTER
24	F85159-1		1	GASKET, INTAKE MANIFOLD
25	817959A3		1	INTAKE MANIFOLD <b>W/ILLUS. 36 AND LITERATURE ORIGINAL FORCE P/N K 480167-2</b>
26	F2008		7	HEX HD SCREW, 1/4 - 20 X 7/8
27	F1699		2	HEX HD SCREW, 1/4 - 20 X 1-1/8
28	817747--1		1	BALL JOINT W/STUD
29	F8058		2	INTERNAL TOOTH LOCKWASHER
30	F7008		1	STOP NUT, 1/4 - 20
31	F269319		2	BEARING
32	F85192-1		1	THROTTLE CAM
33	F1513		1	HEX NUT, 10 - 32
34	F433209-1		1	STUD
35	22-818103--1		2	ELBOW
36	F2050		6	HEX HD SCREW, 1/4 - 20 X 1-1/2
37	F85033		1	CHOKE ROD SWIVEL
38	F85925		1	CHOKE ROD
39	F2033		1	GROOVE PIN
40	F391926-1		1	CHOKE SOLENOID PLUNGER
41	F85317-3		1	CLAMP
42	F1236		2	HEX HD SCREW, 1/4 - 20 X 1/2
43	F97772		6	HOSE CLAMP
44	F438754		1	FUEL LINE
46	F85253-1		2	FUEL LINE
47	F1532		3	HEX HD SCREW, 1/4 - 20 X 1
48	F480551-1		1	BRACKET INTERLOCK SWITCH
49	F85906		3	CARBURETOR GASKET
50	F40209		6	CARBURETOR STUD
51	F1515		6	HEX NUT, 5/16 - 18
52	F333316		1	THROTTLE ROLLER SHAFT
53	F92759		1	THROTTLE ROLLER
54	F1014		3	COTTER PIN
55	F8088		3	PLAIN WASHER
56	F184579		6	SEAL, CHOKE ARM SWIVEL
57	F184033-1		2	CHOKE ARM SWIVEL
58	F1059		3	FILL HD SCREWS, S.S., 6 - 32 X 1/4
59	F85509-1		1	CHOKE LINK

CONTINUED ON NEXT PAGE ➡

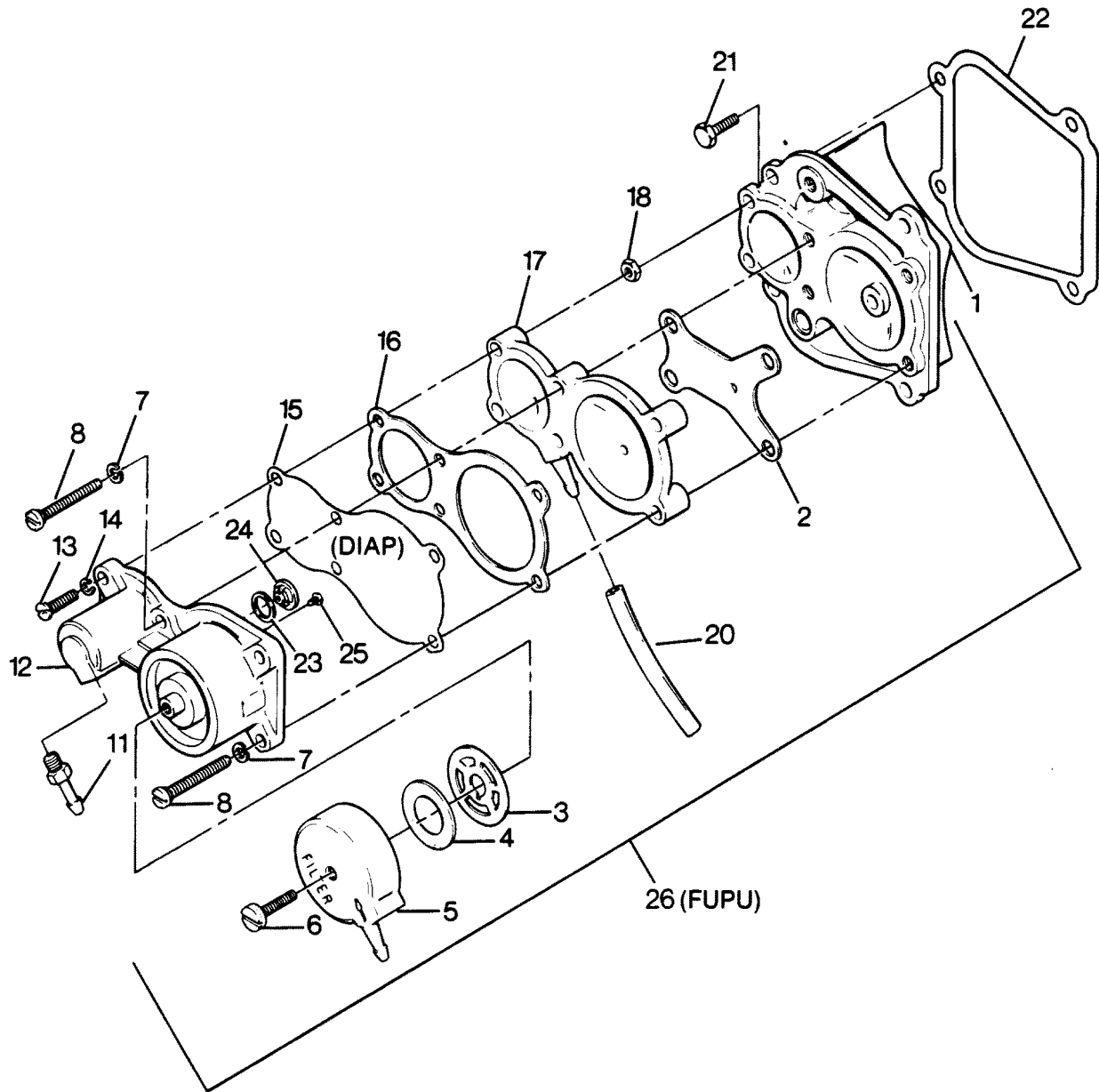
# ADAPTER AND REED PLATE



## ADAPTER AND REED PLATE

REF. NO.	PART NO.	SYM.	QTY.	DESCRIPTION
60	F631061-2		1	CARBURETOR COMPLETE (TOP) WE 18-1A
61	F632061-2		1	CARBURETOR COMPLETE (MIDDLE) WE 18-2A
61A	F632061-2		1	CARBURETOR COMPLETE (BOTTOM) WE 18-2A
62	F481836		3	INTAKE GASKET
63	F1760		6	PAN HD SCREW, 10 - 24 X 3/8
64	22-817789A1		1	DRAIN FITTING W/METERING CUP
65	F63754		1	HOSE INTAKE DRAIN
66	F1504		3	FILL HD SCREW, 1/4 - 20 X 1-1/4
67	F53504		3	GROMMET
68	F1072		3	FILL HD SCREW, 1/4 - 20 X 1-3/4
69	F481860-1		1	CARBURETOR, INTAKE
70	F481567		1	CARBURETOR INTAKE ADAPTER
71	F90807		3	RETAINING RING
72	FA85193		2	TIE BAR END W/SWIVEL
73	F1693		2	TIE BAR RETAINER
74	F1064		2	FILL HD SCREWS, S.S., 8 - 32 X 3/8
75	FA85511		1	THROTTLE TIE BAR W/SWIVEL
77	F8026		1	PLAIN WASHER

# FUEL PUMP

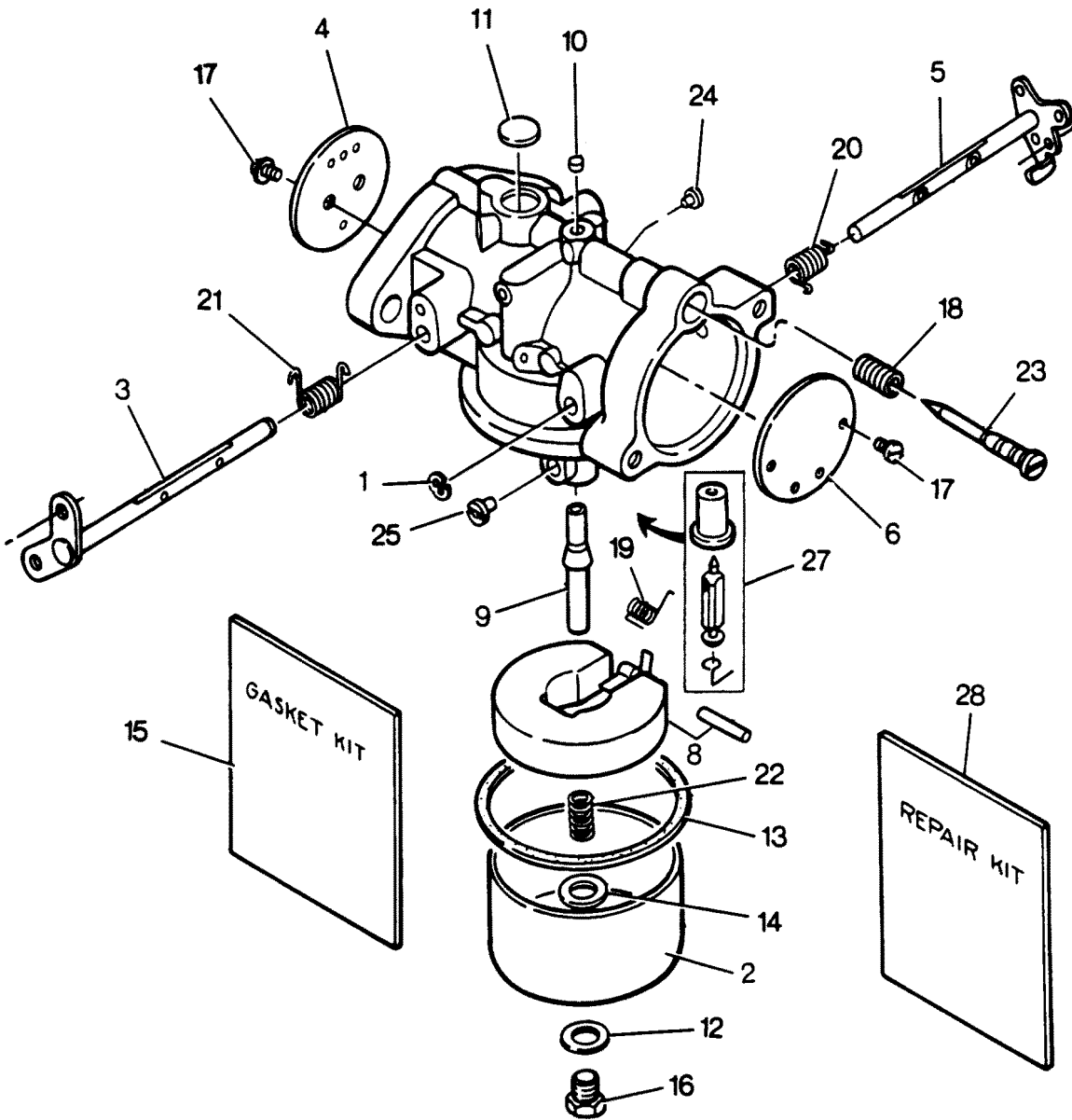




# FUEL PUMP

REF. NO.	PART NO.	SYM.	QTY.	DESCRIPTION
1	FA658746		1	COVER, FUEL PUMP <b>W/LITERATURE</b>
2	F658803		1	GASKET, SPACER PLATE
3	F438617		1	GASKET, FUEL SEDIMENT BOWL
4	F438653		1	SCREEN, FUEL PUMP
5	F438500		1	BOWL, FUEL SEDIMENT
6	F1648		1	SCREW, FUEL SEDIMENT BOWL
7	F8083		4	LOCKWASHER
8	F1504		4	SLOTTED FIL SCREW, 1/4 - 20 X 1-1/4 S.S.
11	F438801		1	FITTING, FUEL PUMP OUTLET
12	FA438431		1	BODY, FUEL PUMP <b>W/ILLUS. 23, 24, 25</b>
13	F1648		2	SCREW 10 - 24 X 3/4 PAN HD SCREW
14	F1975		2	LOCKWASHER
15	F438747		1	DIAPHRAGM, FUEL PUMP
16	F438760		1	GASKET, FUEL PUMP
17	F658836		1	SPACER, FUEL PUMP
18	F1473		2	NUT, 10 - 24 S.S.
20	F658758		1	HOSE, IMPULSE
21	F1540		3	HEX HD. SCREW, 1/4 - 20 X 5/8 GR. 5
22	F40223		1	GASKET, TRANSFER PORT COVER
23	F84792		1	GASKET, FUEL PUMP VALVE
24	F177330		3	VALVE, FUEL PUMP
25	F1860		2	SLOTTED BINDING HEAD SCREW, 6 - 32 X 1/4
26	F2A658746		1	FUEL PUMP COMPLETE <b>INCLUDES ITEMS 1, 2, 7, 8 &amp; 11 THRU 20</b>

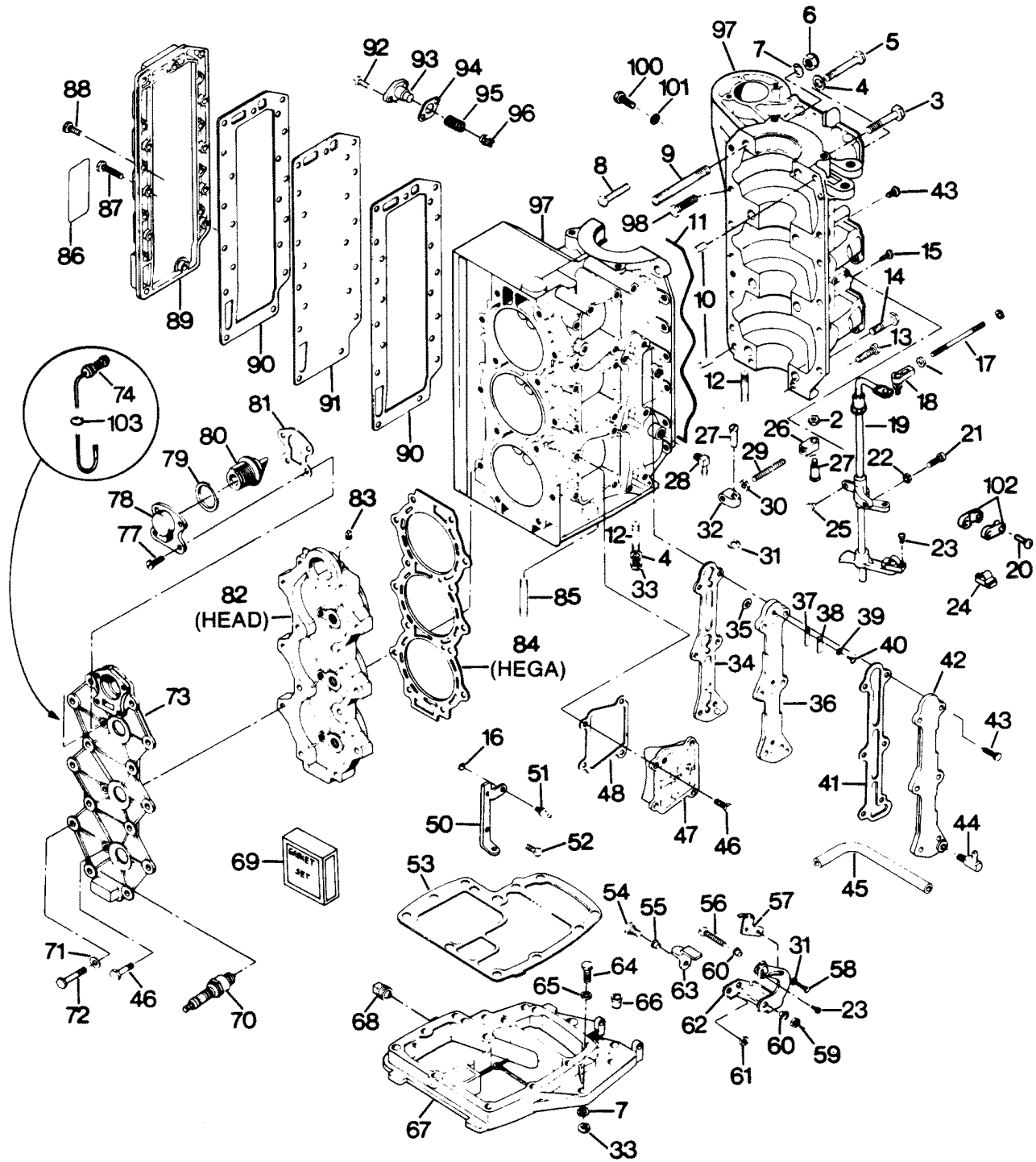
# CARBURETOR



# CARBURETOR

REF. NO.	PART NO.	SYM.	QTY.	DESCRIPTION
1	F10128		1	SHAFT RING RETAINER
2	F10127		1	FUEL BOWL
3	F10168		1	THROTTLE SHAFT ASSEMBLY
4	F10169		1	THROTTLE VALVE
5	F10219		1	CHOKE SHAFT ASSEMBLY
6	F10161		1	CHOKE VALVE
7	F10135		1	FLOAT ASSEMBLY
8	F10208		1	PIN, FLOAT ASSEMBLY
9	F10137		1	NOZZLE
10	F10152		2	CUP PLUG
11	F10153		1	WELCH PLUG
12	F10206		1	BOWL RETAINER GASKET
13	FO15623		1	BOWL RING GASKET
14	F10090		1	BOWL RETAINER GASKET
15	FK10209		1	GASKET KIT. INCLUDES ALL ITEMS MARKED WITH A DOUBLE ASTERISK (**).
16	F10205		1	BOWL RETAINER SCREW
17	F10155		4	CHOKE AND THROTTLE SCREW
18	F10141		1	IDLE NEEDLE SPRING
19	F10142		1	FLOAT SUPPORT SPRING
20	F10143		1	CHOKE VALVE SPRING
21	F10172		1	THROTTLE RETURN SPRING
22	F10204		1	NOZZLE SPRING
23	FO14166		1	NEEDLE, IDLE
24	FO15337		1	JET (.058)
25	F10212		1	MAIN FUEL JET (.074) SEA LEVEL - 2500 FT.
-	<b>F10213</b>		<b>0</b>	<b>072) 2500 - 5000 FT.</b>
-	<b>F10214</b>		<b>0</b>	<b>070) 5000 - 7500 FT.</b>
-	<b>F10215</b>		<b>0</b>	<b>068) 7500 - 10,000 FT.</b>
27	F10234		1	FLOAT KIT, VALVE & SEAT
28	FK10125		1	REPAIR KIT. INCLUDES ALL ITEMS MARKED WITH A SINGLE ASTERISK (*).
-	<b>F631061-2</b>		<b>1</b>	<b>CARBURETOR COMPLETE (TOP) WE 18-1A</b>
-	<b>F632061-2</b>		<b>1</b>	<b>CARBURETOR COMPLETE (MIDDLE) WE 18-2A</b>
-	<b>F632061-2</b>		<b>1</b>	<b>CARBURETOR COMPLETE (BOTTOM) WE 18-2A</b>

# POWERHEAD

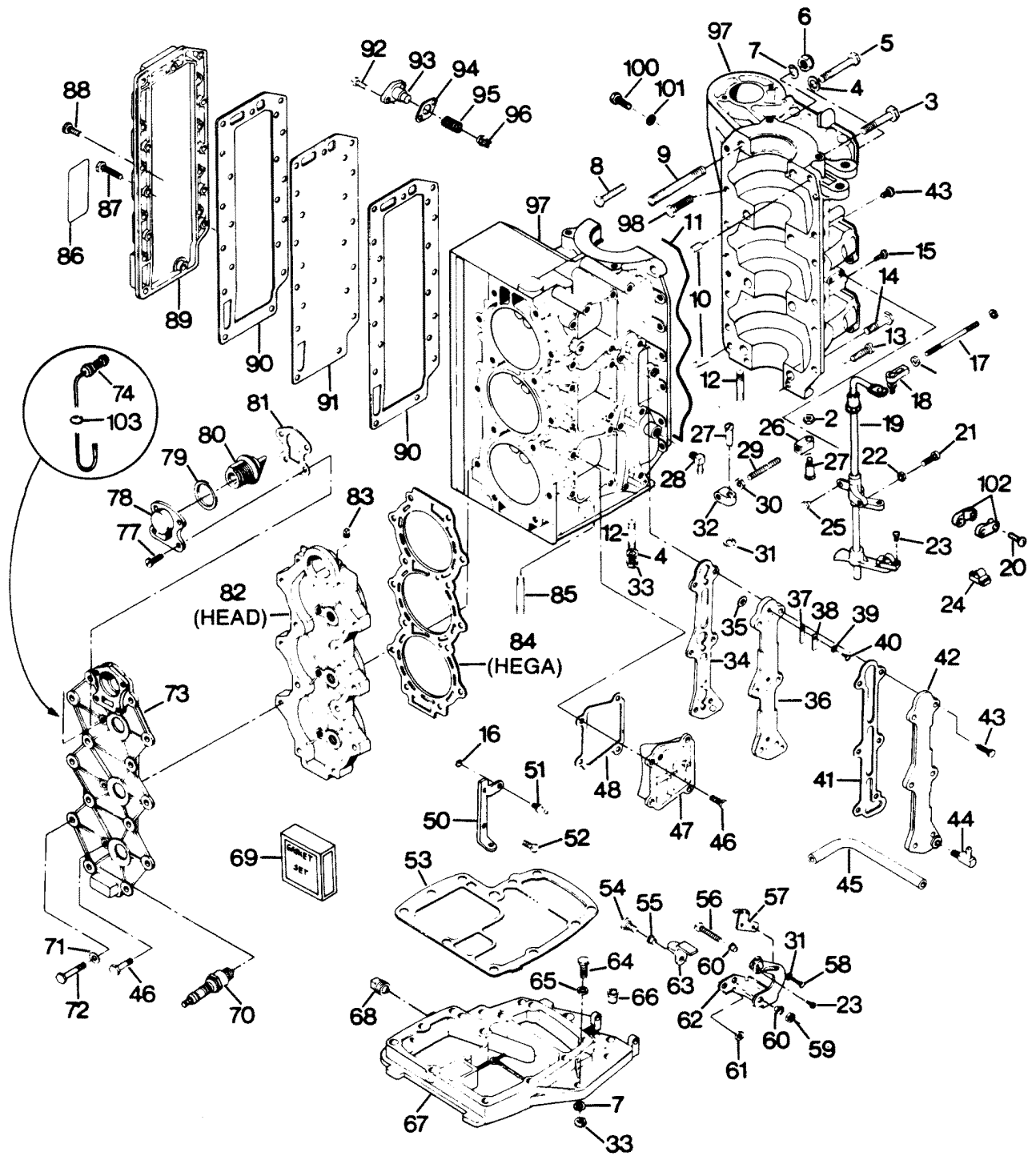


# POWERHEAD

REF. NO.	PART NO.	SYM.	QTY.	DESCRIPTION
2	F7009		1	LOCK NUT, #10 - 24
3	F1009		1	HEX BOLT, 3/8 - 16 X 2-3/4
4	F8038		4	PLAIN WASHER
5	F1873		4	HEX BOLT, 3/8 - 16 X 3
6	F1346		1	HEX NUT, 3/8 - 16
7	F8095		14	PLAIN WASHER
8	F1864		9	HEX HD. SCREW, 1/4 - 20 X 3/4
9	F85210		1	STUD
10	F8563		2	DOWEL PIN
11	F184122-1		1	PARTING LINE SEAL
12	F85859		4	STUD, FORWARD
13	F1504		2	FILL HD. SCREW, 1/4 - 20 X 1-1/4
14	F1872		2	HEX BOLT, 3/8 - 16 X 1-3/4
15	F1199		1	HEX CAP SCREW, 1/4 - 20 X 1
16	F1804		2	STOP NUT
17	F85502		1	THROTTLE LINK
18	817747--1		1	BALL JOINT W/STUD
19	817968A2		1	<b>TOWERSHAFT WILLUS. 18, 21, 22, 24, 25 AND 102 ORIGINAL FORCE P/N K 616838-1</b>
20	F1829		2	FILL HD. SCREW, 10 - 24 X 7/8
21	F1504		1	FILL HD. SCREW, 1/4 - 20 X 1-1/4
22	F1341		1	HEX NUT, 1/4 - 20
23	F1556		2	FILL HD. SCREW W/LOCKWASHER, 10 - 24 X 3/8
24	FK405020		2	SWIVEL W/PIVOT SCREW AND NUT
25	F1727		1	PLASTIC RIVET
26	F499036		1	TOWERSHAFT CONTROL ROD END
27	F499026		2	SWIVEL
28	F84314-2		1	ELBOW
29	F85445		1	ROD, SPARK CONTROL
30	F2015		1	HEX NUT, 1/4 - 28
31	F2042		2	PLAIN WASHER
32	F499035		1	ROD END, CONTROL ROD TO TRIGGER
33	F7004		10	STOP NUT, 3/18 - 16
34	F85748-2		1	GASKET, CYLINDER DRAIN REED PLATE
35	F93811		3	SCREEN
36	F2A404757		1	<b>CYLINDER DRAIN REED PLATE WILLUS. 35, 37, 38, 39, 40 AND METERING CUP</b>
37	F18160-3		3	REED
38	F93920		3	REED STOP
39	F8003		3	PLAIN WASHER
40	F1286		3	PAN HD. SCREW, 4 - 40 X 3/16
41	F85472-2		1	GASKET, CYLINDER DRAIN COVER
42	817787A1		1	<b>CYLINDER DRAIN COVER W/PLUG AND LITERATURE ORIGINAL FORCE P/N A 404471-1</b>

CONTINUED ON NEXT PAGE ➡

# POWERHEAD

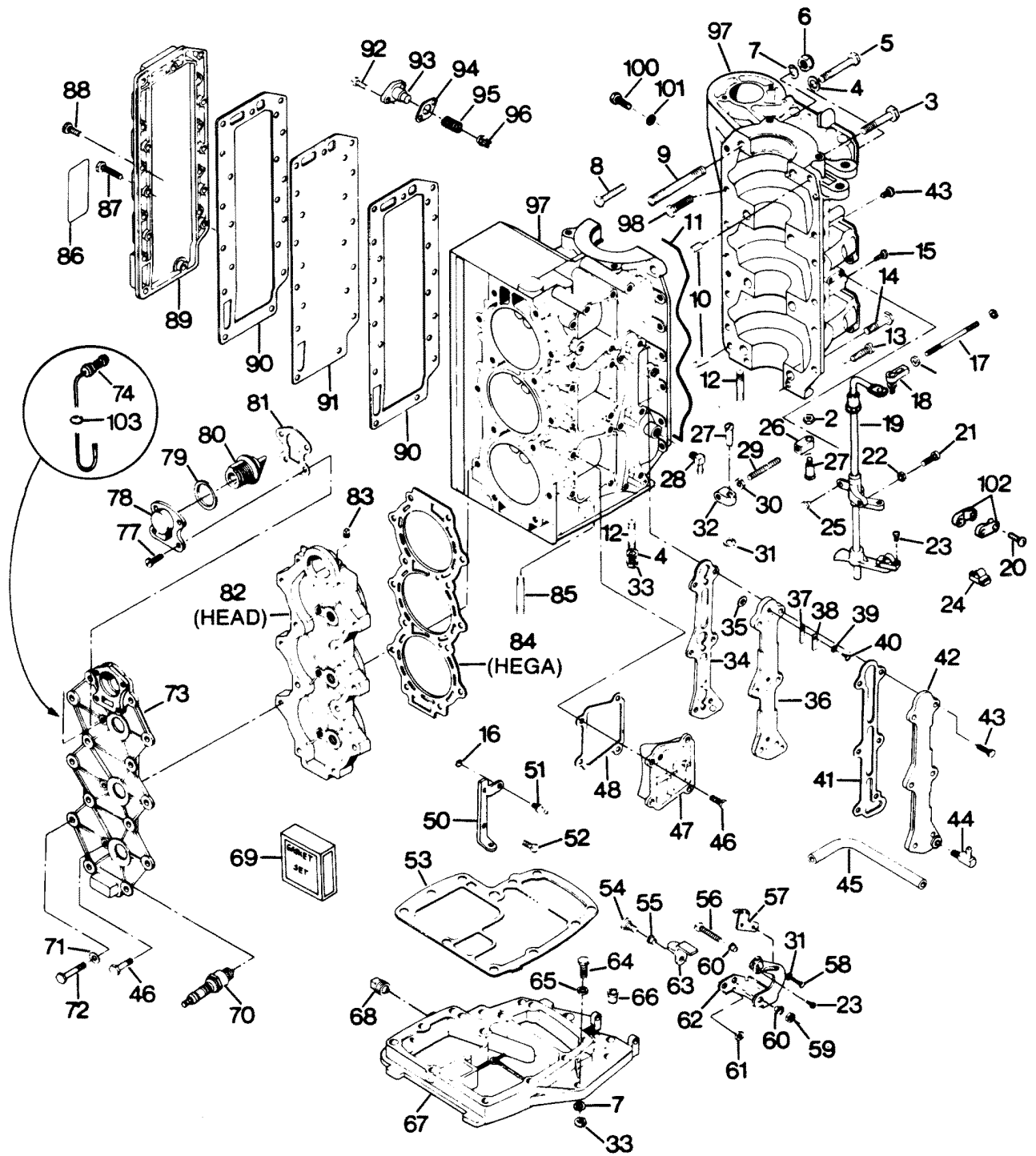


# POWERHEAD

REF. NO.	PART NO.	SYM.	QTY.	DESCRIPTION
43	F1532		6	HEX HD. SCREW, 1/4 - 20 X 1
44	F404801		1	FITTING
45	F433253		1	HOSE
46	F1922		8	HEX HD. SCREW, 1/4 - 20 X 5/8
47	FA411222		2	TRANSFER PORT COVER <b>W/PLUGS AND LITERATURE</b>
48	F40223		3	GASKET, TRANSFER PORT COVER
49	F1513		2	HEX NUT 10 - 32
50	FS85872-1		1	BRACKET, REMOTE CABLE
51	F98273		2	ROD END CONNECTOR STUD
52	F1864		2	HEX HD. SCREW, 1/4 - 20 X 3/4
53	F85279-2		1	CYLINDER EXHAUST GASKET, UPPER
54	F369887		1	SHOULDER SCREW
55	F369610		1	BEARING
56	F1885		1	HEX BOLT, 5/16 - 18 X 4-1/4
57	F480107-1		1	CAM, STARTER INTERLOCK
58	F2089		2	SLOTTED PAN HD. MACHINE SCREW, 10 - 24 X 5/16
59	F2108		1	STOP NUT, 5/16 - 18
60	F85610		2	BEARING
61	F1832		1	STOP NUT, 1/4 - 20
62	FA480876		1	GEAR SHIFT ARM <b>W/ILLUS. 24, 54, 55, 60, 61 AND 63</b>
63	F369977-1		1	INTERLOCK ARM
64	F1869		6	HEX BOLT, 3/8 - 16 X 1-1/4
65	F1703		6	SPRING LOCKWASHER
66	F40689-1		1	BEARING, TOWERSHAFT
67	817788A3		1	SPACER PLATE <b>W/ILLUS. 68 ORIGINAL FORCE P/N A 404680-2</b>
68	F2090		1	PLUG
69	FG1020-1		1	GASKET SET <b>INCLUDES ITEMS MARKED WITH A *</b>
-	<b>F40223</b>		<b>3</b>	<b>TRANSFER PORT COVER GASKET</b>
-	<b>F84278</b>		<b>1</b>	<b>CRANKSHAFT BRG. SEAL CAGE SEAL</b>
-	<b>F84504</b>		<b>1</b>	<b>THERMOSTAT GROMMET</b>
-	<b>F184122-1</b>		<b>1</b>	<b>CRANKCASE SEAL</b>
-	<b>F85154-1</b>		<b>2</b>	<b>EXHAUST PORT PLATE GASKET</b>
-	<b>F85159-1</b>		<b>1</b>	<b>MANIFOLD GASKET</b>
-	<b>F85168-1</b>		<b>3</b>	<b>CARBURETOR ADAPTER FLANGE GASKET</b>
-	<b>F85279-2</b>		<b>1</b>	<b>CYLINDER, EXHAUST - UPPER GASKET</b>
-	<b>F85472-2</b>		<b>1</b>	<b>CYLINDER DRAIN COVER GASKET</b>
-	<b>F85748-2</b>		<b>1</b>	<b>CYLINDER DRAIN REED PLATE GASKET</b>
-	<b>F85762</b>		<b>1</b>	<b>BY-PASS VALVE GASKET</b>
-	<b>F85906</b>		<b>3</b>	<b>CARBURETOR GASKET</b>
-	<b>F369529-1</b>		<b>1</b>	<b>CYLINDER HEAD GASKET</b>
-	<b>F476067</b>		<b>1</b>	<b>THERMOSTAT COVER GASKET</b>
-	<b>F481836</b>		<b>3</b>	<b>INTAKE GASKET</b>

CONTINUED ON NEXT PAGE ➡

# POWERHEAD

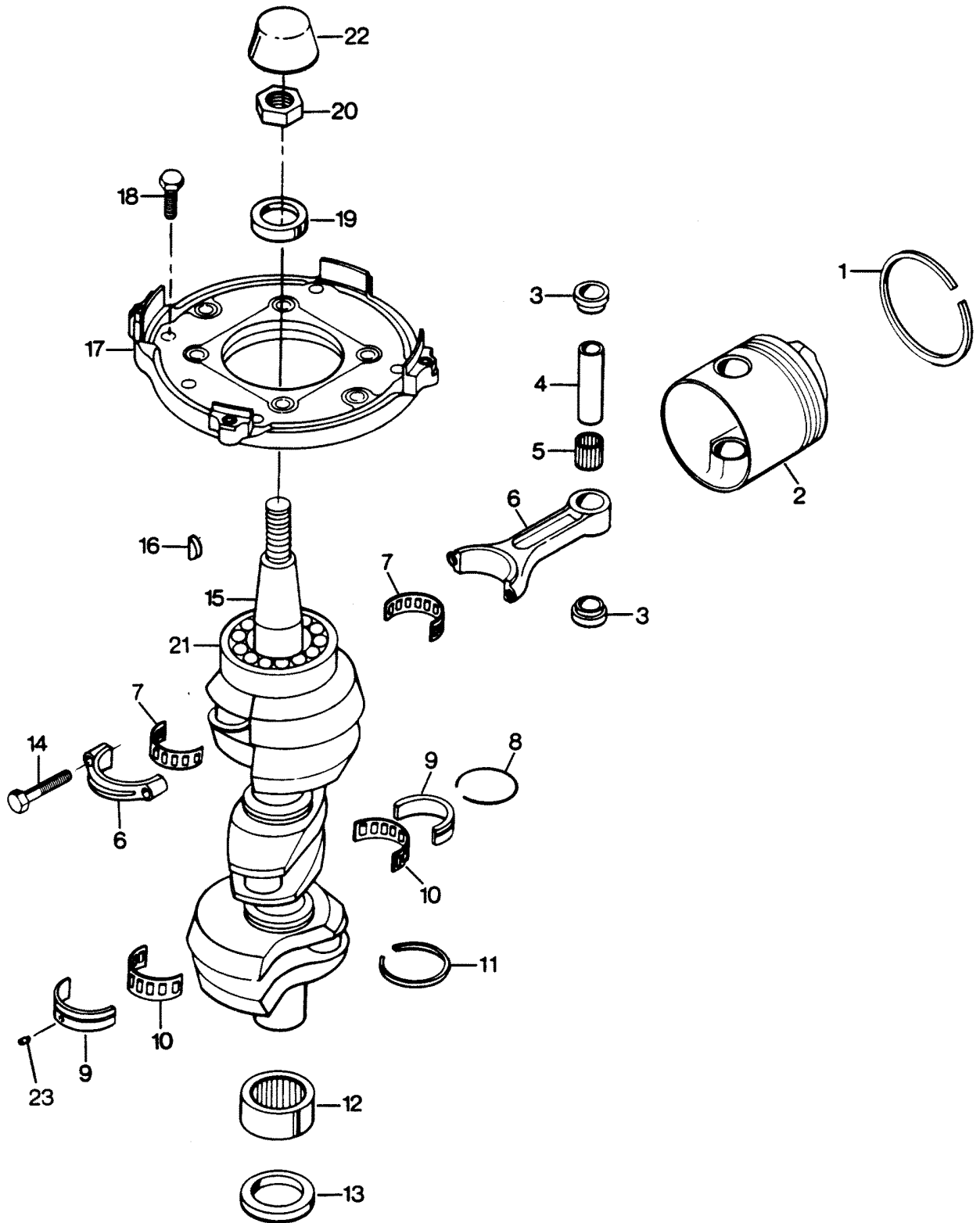




# POWERHEAD

REF. NO.	PART NO.	SYM.	QTY.	DESCRIPTION
70	33-818007--1		3	SPARK PLUG (CHAMPION UL-18-V)
71	F1987		14	PLAIN WASHER
72	F1883		14	HEX BOLT, 5/16 - 18 X 2-3/8
73	F499995		1	CYLINDER HEAD COVER
74	F629449		1	THERMOSWITCH
77	F1110		4	FILL HD. SCREW, 1/4 - 20 X 5/8
78	F476066-1		1	COVER, THERMOSTAT
79	F84504		1	GROMMET
80	F528068		1	THERMOSTAT (110-F)
81	F476067		1	GASKET, THERMOSTAT COVER
82	F630518		1	CYLINDER HEAD
83	F19109		1	PLUG
84	F369529-1		1	CYLINDER HEAD GASKET
85	F85211		6	STUD, REAR
86	FC529398		1	DECAL, WIRING
87	F1709		5	HEX HD. SCREW, 1/4 - 20 X 1-1/8
88	F1203		14	HEX HD. SCREW, 1/4 - 20 X 7/8
89	F85152-4		1	EXHAUST PORT COVER
90	F85154-1		2	GASKET, EXHAUST PORT PLATE
91	F85151-1		1	EXHAUST PORT PLATE
92	F1950		2	HEX HD. SCREW, 10 - 24 X 5/8
93	F438066		1	BY-PASS VALVE COVER
94	F85762		1	GASKET, BY-PASS VALVE
95	F404268		1	SPRING, BY-PASS VALVE
96	F85916-1		1	BY-PASS VALVE
97	800-817861A7		1	CYLINDER <b>W/COVER</b> , ILLUS. 3, 5, 6, 9, 11, 12, 13, 14, 65, 85 AND LITERATURE ORIGINAL FORCE P/N A 581010-3
-	<b>800-817912A9</b>		1	<b>SHORT BLOCK (NOT SHOWN). INCLUDES ALL ITEMS MARKED WITH AN ASTERISK (*). ALSO REFER TO CRANKSHAFT AND PISTON PAGES. ORIGINAL FORCE P/N C 581010-3</b>
98	F2008		2	HEX CAP SCREW, 1/4 - 20 X 7/8
99	F1708		1	HEX HD. SCREW, 1/4 - 20 X 1-3/8
100	F2000		1	HEX CAP SCREW, 5/16 - 18 X 3/4
101	F8096		1	SPRING LOCKWASHER
102	FA607689		2	BEARING TOWERSHAFT LOWER
103	F428096		1	RETAINER, THERMOSWITCH

# CRANKSHAFT AND PISTON



# CRANKSHAFT AND PISTON

REF. NO.	PART NO.	SYM.	QTY.	DESCRIPTION
1	FA335260		3	PISTON RINGS (2 PER SET) STANDARD
-	<b>FSA335260</b>		<b>3</b>	<b>PISTON RINGS (2 PER SET) .010 OVERSIZE</b>
-	<b>39-818110A1</b>		<b>3</b>	<b>PISTON RINGS (2 PER SET) .030 OVERSIZE</b>
2	700-F372015-3		3	PISTON-STANDARD
-	<b>700-817988A2</b>		<b>3</b>	<b>PISTON .010 OVERSIZE</b>
-	<b>700-818111A2</b>		<b>3</b>	<b>PISTON .030 OVERSIZE</b>
3	F335215		6	SPACER, PISTON PIN (2 PER PISTON)
4	F85017		3	PISTON PIN
5	F335217-1		3	BEARING PISTON PIN (26 PER SET)
6	600-818052A4		3	CONNECTING ROD <b>W/CAP AND ILLUS. 14 ORIGINAL FORCE P/N S 366016-4</b>
7	FK85228-1		3	BEARING CAGE W/ROLLER
8	F85410		2	SNAP RING
9	FA85655-1		2	CRANKSHAFT MAIN BEARING RACE <b>W/ILLUS. 8</b>
10	F85571		2	BEARING CAGE W/ROLLER
11	F316579		2	SEAL, CRANKCASE
12	FA523014		1	CRANKSHAFT LOWER MAIN BEARING <b>W/ILLUS. 13</b>
13	F523146-1		1	SEAL, CRANKSHAFT LOWER
14	F85634-2		6	CONNECTING ROD SCREW
15	FA85018-2		1	CRANKSHAFT <b>W/ILLUS. 11 AND 21</b>
16	F85498-1		1	FLYWHEEL KEY
17	F2A615144		1	CRANKSHAFT BEARING CAGE <b>W/ILLUS. 19</b>
18	F2081		5	HEX SOC. HD. SCREW, 1/4 - 20 X 3/4
19	F523146-1		1	SEAL, CRANKSHAFT UPPER
21	F284659-2		1	CRANKSHAFT THRUST BEARING, UPPER
22	F2067		1	PLASTIC CAP
23	F85909-1		3	BEARING LOCATING PIN (PRESSED INTO BLOCK)



# MOTOR LEG

REF. NO.	PART NO.	SYM.	QTY.	DESCRIPTION
1	F85660-1		1	EXHAUST TUBE
2	F8083		4	SPRING LOCKWASHER
3	F1864		4	HEX SLOT HD. SCREW, 1/4 -20 X 3/4
4	F85258		1	INSERT
5	F85130		1	BOOT, IDLE EXHAUST
6	F85380		1	SPRING
7	F85772		1	CLAMP
8	F1729		2	PLUG
9	F178145-4		1	COVER, MOTOR LEG REAR
10	F1664		2	SPRING PIN
11	F1263		2	HEX SOCKET HD. CAP SCREW, 5/16 - 18 X 9/16
12	F438962		2	MOUNT, LOWER REAR SHOCK
13	F178323		1	SEAL
14	F523133-2		1	MOTOR LEG (20 INCH MODELS)
-	<b>F631133</b>		<b>1</b>	<b>MOTOR LEG (25 INCH MODELS)</b>
15	F2093		2	STOP NUT, 3/8 - 24
16	F5H094		1	STEERING LINK KIT
17	F8038		2	WASHER
18	F523300-1		1	SPRING
19	F1280		1	PAN HD. SCREW, 8 - 32 X 1/4
20	F8080		1	SPRING LOCKWASHER
21	F523930		1	RETAINER
22	F523273		1	STUD
23	F1696		8	HEX BOLT, 5/16 - 18 X 1
24	F2030		6	HEX HD. SCREW, 1/4 - 20 X 1-1/4
25	F686660		2	STAND TUBE
26	F1871		4	HEX HD. SCREW, 3/8 - 16 X 3/4
27	F2014		2	WASHER
28	FA85355-1		2	WASHER SET
29	F2018		2	LOCKNUT
30	F1987		1	WASHER
31	F85965		2	MOUNT, UPPER SHOCK
32	F1703		2	SPRING, LOCKWASHER
33	F1871		4	HEX HD. SCREW, 3/8 - 16 X 3/4
34	F85615-1		1	ROD, GEAR SHIFT UPPER (20 INCH MODELS)
-	<b>F500615</b>		<b>1</b>	<b>ROD, GEAR SHIFT UPPER (25 INCH MODELS)</b>
35	F438346		1	MOUNT, LOWER SHOCK
36	F85704		1	COUPLER, GEAR SHIFT ROD
37	F8096		4	SPRING LOCKWASHER
38	F1822		4	HEX BOLT, 5/16 - 18 X 7/8
39	FA85135-4		1	COVER, FRONT LEG
40	F85606		1	CAP, KING PIN (20 INCH MODELS)
41	F631606		1	CAP, KING PIN (25 INCH MODELS)

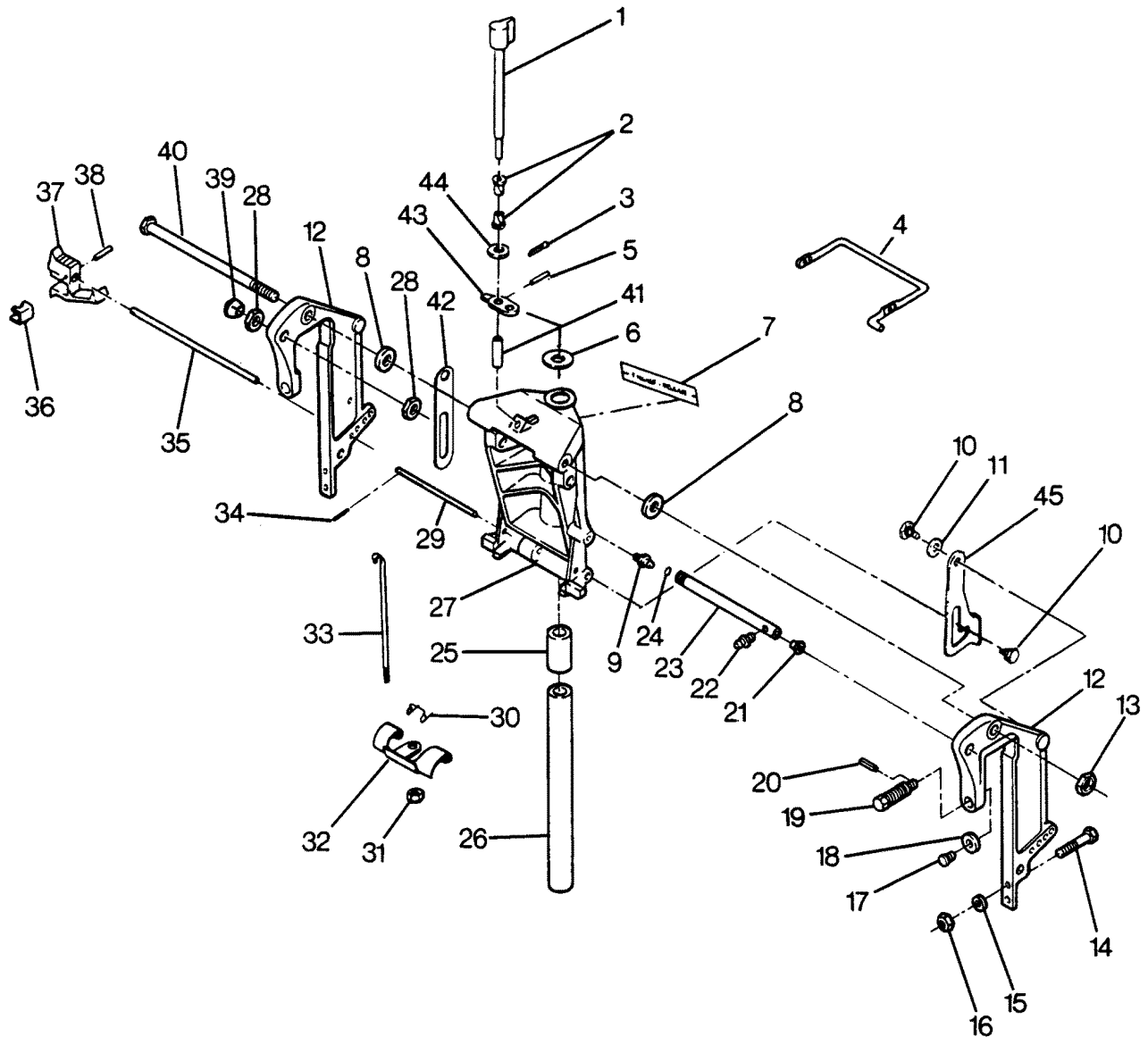
CONTINUED ON NEXT PAGE ➡



# MOTOR LEG

REF. NO.	PART NO.	SYM.	QTY.	DESCRIPTION
42	F631707		1	COVER, STOCK MOUNT LOWER (25 INCH MODELS)
43	F1515		4	HEX NUT, 5/16 - 18
44	F2030		6	HEX HD. CAP SCREW, 1/4 - 20 X 1-1/4
45	F1912		4	HED HD. SCREW, 10 - 24 X 1/2
46	F85779-1		1	BAFFLE, AIR INTAKE
47	F598387		1	DECAL, POWER FLOW

# SWIVEL BRACKET AND STERN BRACKETS MODELS WITHOUT POWER TRIM



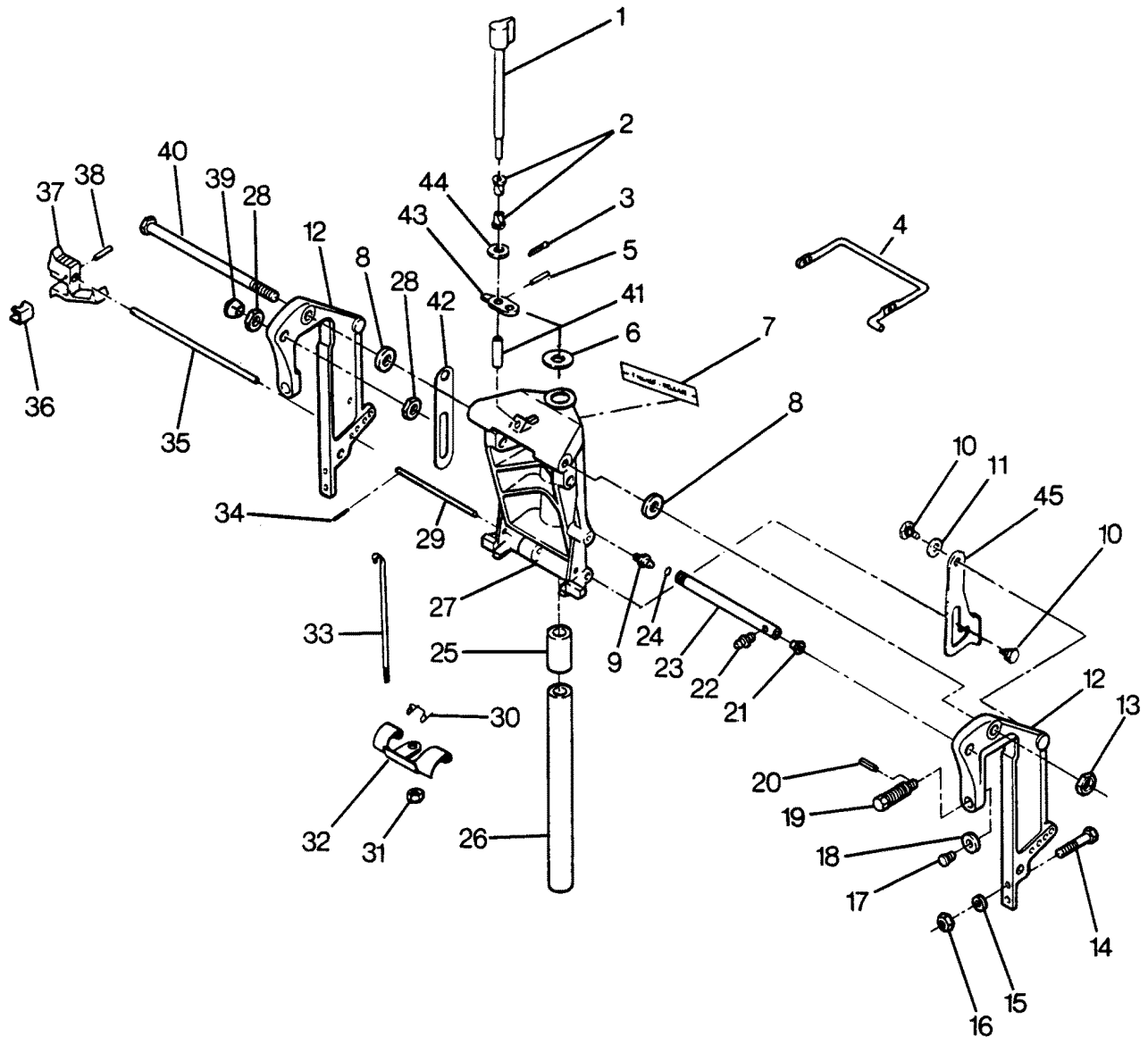


## SWIVEL BRACKET AND STERN BRACKETS MODELS WITHOUT POWER TRIM

REF. NO.	PART NO.	SYM.	QTY.	DESCRIPTION
1	817946A2		1	REVERSE LOCK LEVER KIT
2	F197813		2	BEARING
3	F1014		1	COTTER PIN
4	F5H115		1	TRAILERING BRACKET (WITHOUT POWER TRIM)
5	F1836		1	SPRING PIN
6	F84011		1	WASHER
7	F529390-1		1	DECAL, REVERSE LOCK
8	F84286-1		4	FRICTION WASHER
9	F213274		3	GREASE FITTING
10	F85350-1		4	PIVOT, TILT STOP
11	F1666		2	BOWED SPRING WASHER
12	1400-817958A6		2	BRACKET, STERN
13	F7012		1	LOCKNUT, 1/2 - 20
14	F2185		2	HEX HD. SCREW, 3/8 - 16 X 3-1/2
15	F1904		2	WASHER
16	F1346		2	HEX NUT, 3/8 - 16
17	F353480		2	STUD
18	F84074		2	CLAMP SCREW FOOT
19	FA628073		2	CLAMP SCREW
20	F8538		2	SPRING PIN
21	F9052		1	PLUG
22	F523274		1	GREASE FITTING
23	F511125-2		1	TUBE, STEERING SUPPORT
24	F316599		1	SEAL, STEERING SUPPORT TUBE
25	F438169		2	BEARING
26	FS85019		1	KING PIN (20 INCH MODELS)
-	<b>FA500019</b>		<b>1</b>	<b>KING PIN (25 INCH MODELS)</b>
27	817783A5		1	SWIVEL BRACKET W/GREASE FITTINGS
28	F523280		2	NUT, STEERING SUPPORT TUBE
29	F177350		1	PIN, REVERSE LOCK
30	F85300		1	SPRING, REVERSE LOCK
31	F1669		1	LOCKNUT
32	F369349		1	REVERSE LOCK
33	F369510		1	LINK
34	F1744		1	SPRING PIN
35	FA438113		1	LOCKBAR W/HANDLE
36	F286461		1	SPRING, LOCKBAR HANDLE
37	F433114		1	HANDLE, LOCKBAR
38	F1744		1	SPRING PIN
39	F9018		1	CAP
40	F85037-1		1	BOLT, STERN BRACKET PIVOT

CONTINUED ON NEXT PAGE ➡

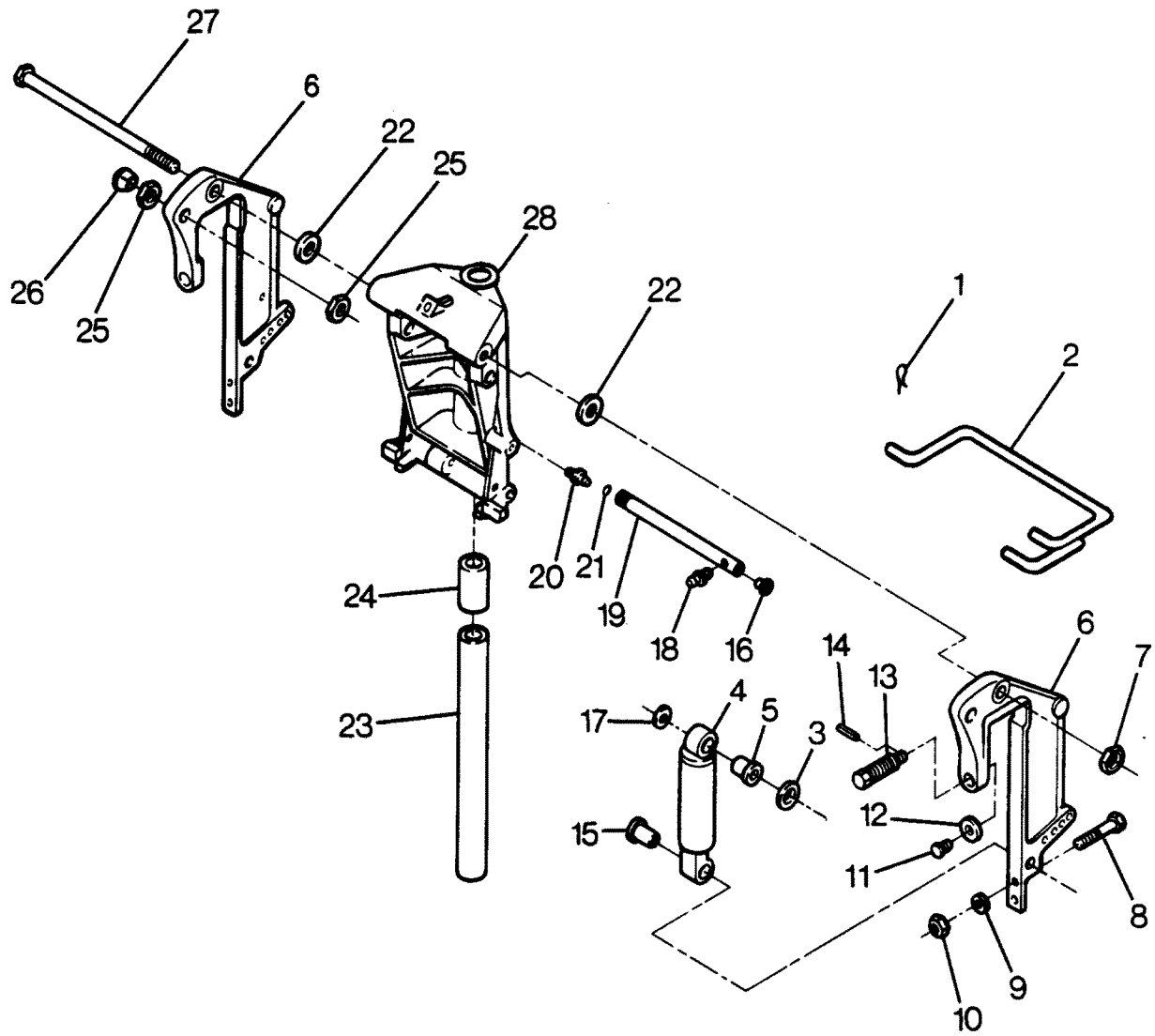
# SWIVEL BRACKET AND STERN BRACKETS MODELS WITHOUT POWER TRIM



## SWIVEL BRACKET AND STERN BRACKETS MODELS WITHOUT POWER TRIM

REF. NO.	PART NO.	SYM.	QTY.	DESCRIPTION
41	F483884		1	BEARING
42	F85426		1	TILT STOP
43	F369364		1	ARM, REVERSE LOCK
44	F8094		1	WASHER
45	F85541-1		1	TILT LOCK

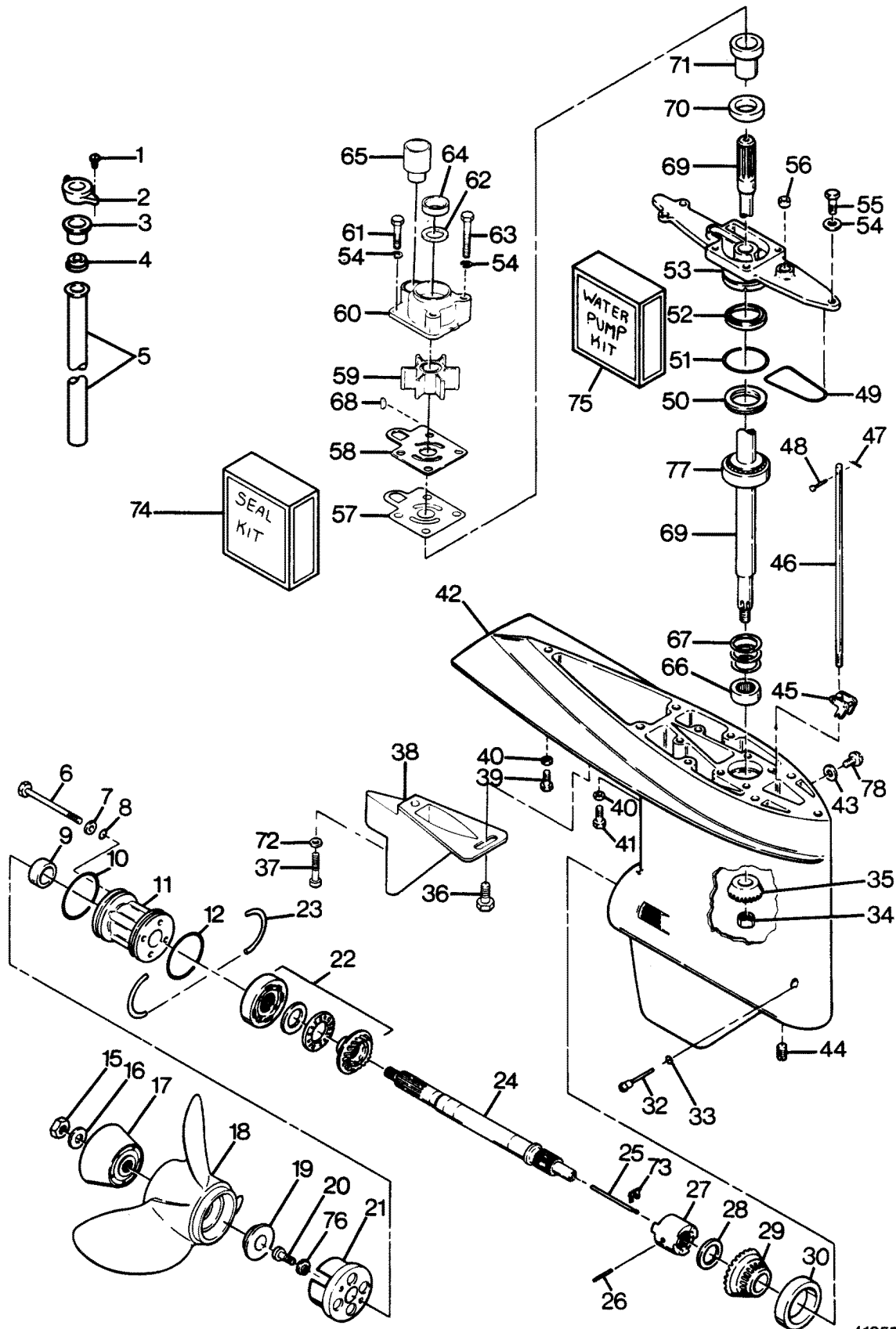
# SWIVEL BRACKET AND STERN BRACKETS MODELS WITH POWER TRIM



# SWIVEL BRACKET AND STERN BRACKETS MODELS WITH POWER TRIM

REF. NO.	PART NO.	SYM.	QTY.	DESCRIPTION
1	F525629		1	COTTER PIN
2	F5H179		1	TRAILERING BRACKET (WITH/POWER TRIM)
3	F1710		4	WASHER
4	FS631962		1	SHOCK ABSORBER W/BUSHING
5	F178344		1	BUSHING
6	1400-817958A6		2	STERN BRACKET
7	F7012		1	STOP NUT
8	F2185		2	HEX HD. SCREW, 3/8 - 16 X 3-1/2 S.S.
9	F1904		2	WASHER
10	F1346		2	HEX NUT, 3/8 - 16 S.S.
11	F353480		2	STUD
12	F84074		2	FOOT, CLAMP SCREW
13	FA628073		2	CLAMP SCREW
14	F8538		2	SPRING, PIN
15	F449362		2	BEARING
16	F9052		1	PLUG
17	F1711		2	SPRING BOWED WASHER
18	F523274		1	GREASE FITTING
19	F511125-2		1	TUBE, STEERING SUPPORT
20	F213274		3	GREASE FITTING
21	F316599		1	SEAL
22	F84286-1		4	FRICTION WASHER
23	FS85019		1	KINGPIN (20 INCH MODELS)
-	<b>FA500019</b>		<b>1</b>	<b>KINGPIN (25 INCH MODELS)</b>
24	F438169		2	BEARING
25	F523280		2	NUT
26	F9018		1	CAP
27	F85037-1		1	BOLT, STERN BRACKET PIVOT
28	817783A5		1	SWIVEL BRACKET W/GREASE FITTINGS

# GEAR HOUSING



OB 4195

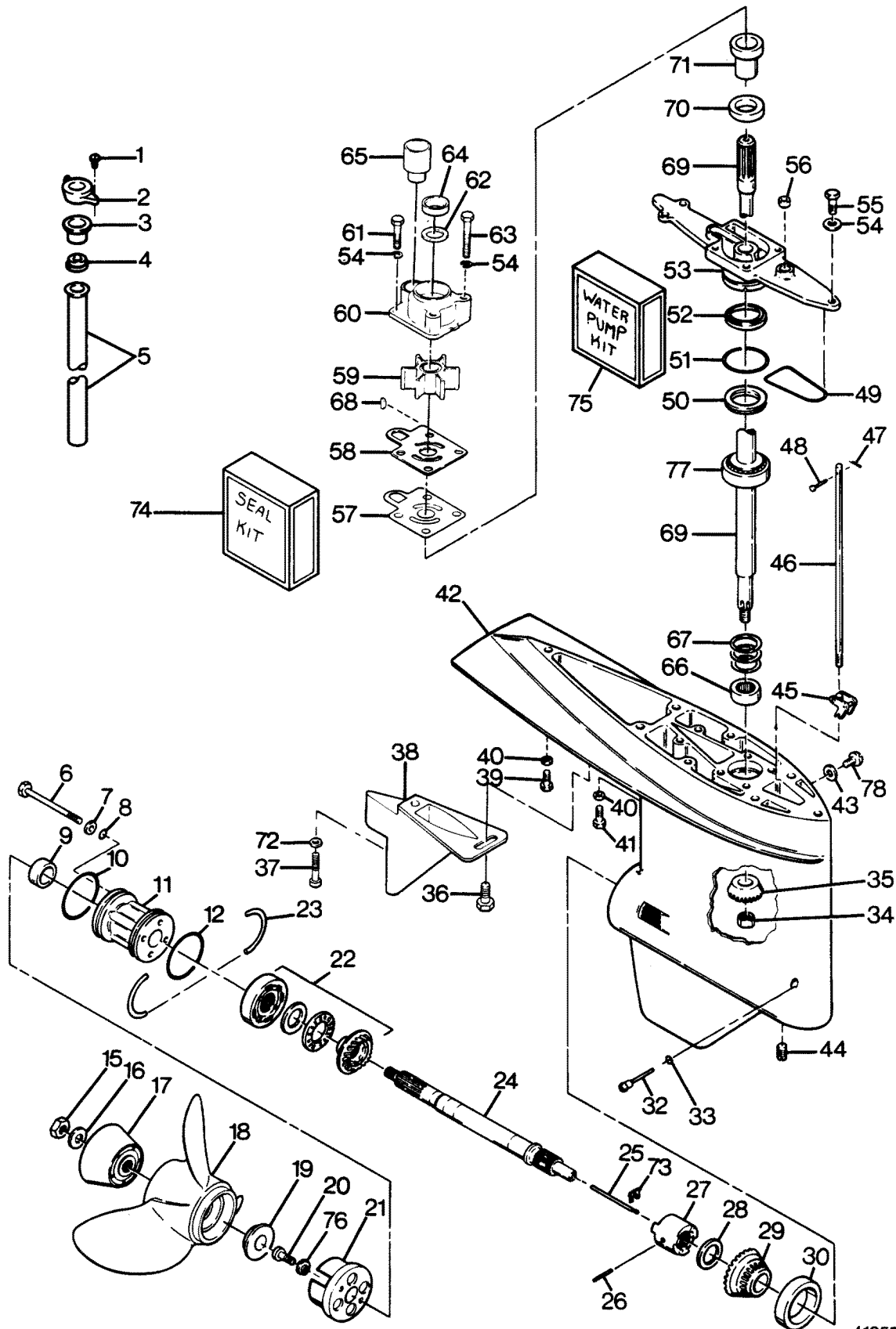
41950-010

# GEAR HOUSING

REF. NO.	PART NO.	SYM.	QTY.	DESCRIPTION
1	F1705		2	HEX CAP SCREW, 1/4 - 20 X 3/4 S.S.
2	F85117		1	BRACKET, WATERLINE
3	F84342		1	SEAL, INLET WATERLINE, UPPER
4	F523899		1	GROMMET, WATERLINE
5	F523244		1	INLET WATERLINE (20 INCH MODELS)
-	<b>F500244</b>		<b>1</b>	<b>INLET WATER LINE (25 INCH MODELS)</b>
6	F1885		4	HEX CAP SCREW, 5/16 - 18 X 4-1/4 S.S.
7	F1907		4	PLAIN WASHER S.S.
8	F50342-1		4	SEAL, BEARING CAGE BOLTS
9	F506118		1	SEAL, PROPELLER SHAFT
10	F24278		1	SEAL, O-RING PROPELLER SHAFT SPOOL
11	F2A523239		1	SPOOL, PROPELLER SHAFT BEARING W/SEAL AND ILLUS. 9
12	F84305		1	SEAL PROPELLER SHAFT BEARING SPOOL
15	F1788		1	STOP NUT
16	F1866		1	PLAIN WASHER
17	F532299		1	WASHER, PROPELLER SPLINE
18	FPS501		1	PROPELLER (14 X 13)
-	<b>FPS623</b>		<b>1</b>	<b>PROPELLER (13 X 17)</b>
-	<b>FPS625</b>		<b>1</b>	<b>PROPELLER (13 X 19)</b>
-	<b>FP665</b>		<b>1</b>	<b>PROPELLER (13 X 15 CUPPED)</b>
19	F523099-1		1	SPACER, PROPELLER
20	F1112		2	FILL HD SCREW, 1/4 - 20 X 7/8
21	FA523485		1	ANTI-CORROSION ANODE W/LITERATURE
22	F2A498662		1	BEVEL GEAR REAR W/BEARING CAGE, SPACER AND BEARING
23	F523411		2	RETAINING RING
24	44-817962A2		1	PROPELLER SHAFT W/LITERATURE ORIGINAL FORCE P/N K 523098-1
25	F84871-1		1	PIN, GEAR SHIFT
26	F1713		1	SPRING PIN
27	F84521-2		1	CLUTCH
28	F1936		A/R	SPACER, BEVEL GEAR FRONT .059
-	<b>F1937</b>		<b>A/R</b>	<b>SPACER, BEVEL GEAR FRONT .062</b>
-	<b>F1938</b>		<b>A/R</b>	<b>SPACER, BEVEL GEAR FRONT .065</b>
-	<b>F1939</b>		<b>A/R</b>	<b>SPACER, BEVEL GEAR FRONT .068</b>
-	<b>F1940</b>		<b>A/R</b>	<b>SPACER, BEVEL GEAR FRONT .071</b>
-	<b>F1941</b>		<b>A/R</b>	<b>SPACER, BEVEL GEAR FRONT .074</b>
-	<b>F1942</b>		<b>A/R</b>	<b>SPACER, BEVEL GEAR FRONT .077</b>
-	<b>F2113</b>		<b>A/R</b>	<b>SPACER, BEVEL GEAR FRONT .080</b>
-	<b>F2114</b>		<b>A/R</b>	<b>SPACER, BEVEL GEAR FRONT .083</b>
-	<b>F2115</b>		<b>A/R</b>	<b>SPACER, BEVEL GEAR FRONT .086</b>
-	<b>F2116</b>		<b>A/R</b>	<b>SPACER, BEVEL GEAR FRONT .089</b>
-	<b>F2121</b>		<b>A/R</b>	<b>SPACER, BEVEL GEAR FRONT .057</b>
-	<b>F2122</b>		<b>A/R</b>	<b>SPACER, BEVEL GEAR FRONT .054</b>

CONTINUED ON NEXT PAGE ➡

# GEAR HOUSING



OB 4195

41950-010

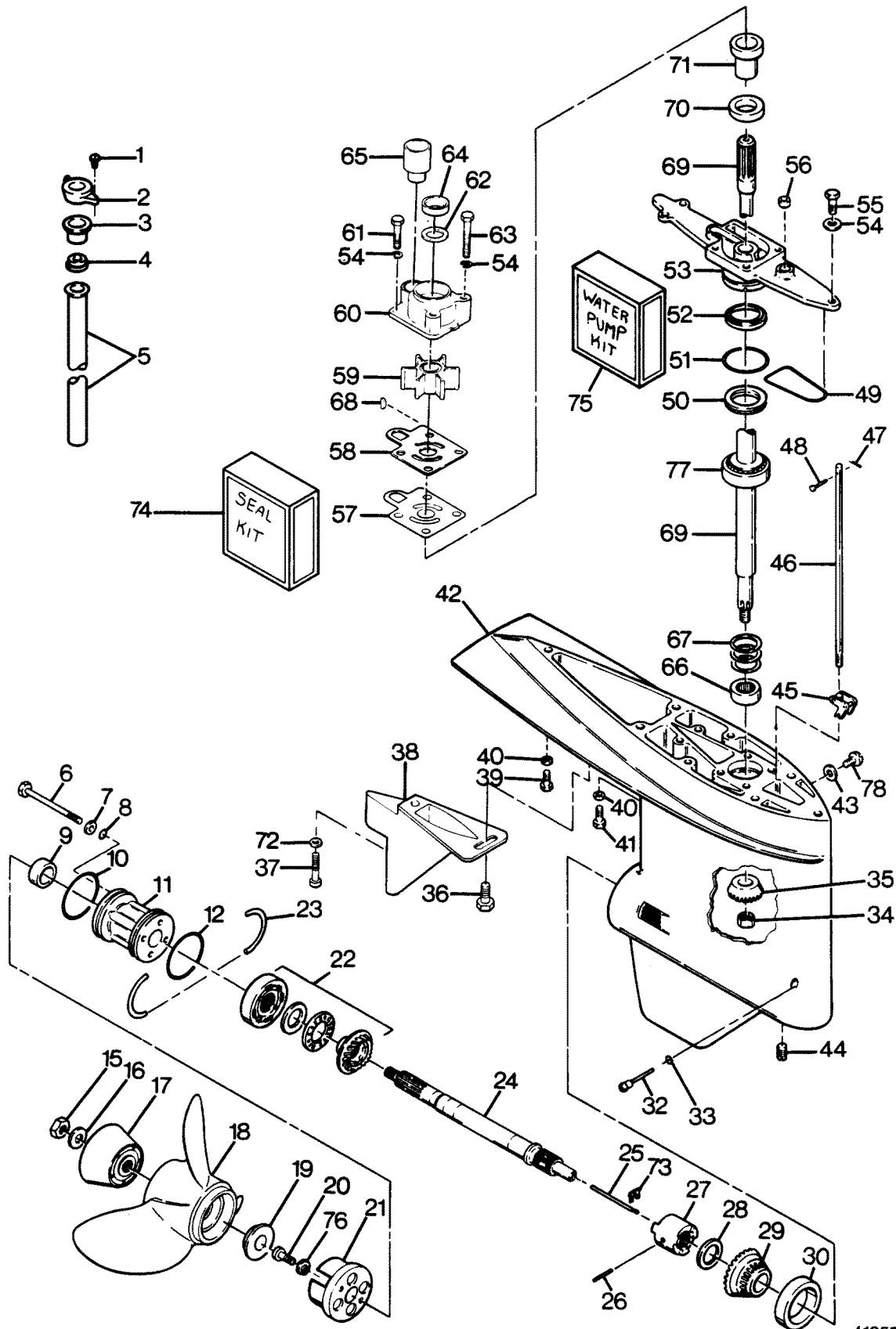


# GEAR HOUSING

REF. NO.	PART NO.	SYM.	QTY.	DESCRIPTION
29	43-818062A3		1	BEVEL GEAR FROM W/BEARING
30	F523813		1	BEARING CUP
32	F498891		1	PIN, GEAR SHIFT ARM
33	F498618		1	SEAL
34	F523188		1	NUT, BEVEL PINION RETAINING
35	43-817830A2		1	BEVEL PINION GEAR <b>W/ILLUS. 50 AND SHIMS ORIGINAL FORCE P/N A 498266-2</b>
36	F438930		1	RETAINER, SNOUT
37	F1994		1	HEX SOCKET HD CAP SCREW, 5/16 - 18 X 1
38	F523116-1		1	EXHAUST SNOUT
39	F1858		1	HEX CAP SCREW, 5/16 - 18 X 1
40	F8096		7	SPRING LOCKWASHER
41	F1491		6	HEX HD SCREW, 5/16 - 18 3/4
42	FA523054		1	GEAR HOUSING W/DRIVESHAFT BEARING LOWER <b>ILLUS. 30, 31, 43 AND 44</b>
43	F8077		2	WASHER, GEAR HOUSING PLUG
44	FA523109		1	PLUG, GEAR HOUSING
45	FA84621-1		1	COUPLING, GEAR SHIFT ARM W/BUSHING
46	F523705		1	GEAR SHIFT ROD LOWER
47	F1015		1	COTTER PIN
48	F85372		1	PIN, GEAR SHIFT ROD LOWER
49	F523555		1	SEAL, O-RING, GEAR HOUSING COVER
50	F523961		1	CRUSH RING
51	F74305		1	SEAL, DRIVESHAFT BEARING CAGE
52	F506118		1	SEAL, DRIVESHAFT
53	F2A550706		1	GEAR HOUSING COVER <b>W/ILLUS. 52</b>
54	F8083		7	SPRING LOCKWASHER
55	F1999		3	HEX CAP SCREW, 1/4 - 20 X 7/8 S.S.
56	F338618-1		1	SEAL, GEAR SHIFT ROD
57	F523031		1	GASKET, WATER PUMP
58	F523562		1	WATER PUMP BACK PLATE
59	F523065-1		1	WATER PUMP IMPELLER
60	46-817853A1		1	WATER PUMP BODY <b>W/ILLUS. 62, 64 AND 65 ORIGINAL FORCE P/N A 523060-1</b>
61	F1990		2	HEX CAP SCREW, 1/4 - 20 X 1-5/8 S.S.
62	F480388		2	DISC, WATER PUMP LOCATING
63	F1425		2	HEX CAP SCREW, 1/4 - 20 X 2-5/8 S.S.
64	F351307		1	SEAL, WATER PUMP
65	FA523735		1	SEAL, INLET WATERLINE, LOWER <b>W/LITERATURE</b>
66	F523057		1	BEARING, DRIVESHAFT LOWER
67	F9106		A/R	SHIM, DRIVESHAFT BEARING, UPPER .003 - BRASS
-	<b>F9095</b>		<b>A/R</b>	<b>SHIM, DRIVESHAFT BEARING, UPPER .005 - SILVER</b>
-	<b>F9097</b>		<b>A/R</b>	<b>SHIM, DRIVESHAFT BEARING, UPPER .010 - BLACK</b>
68	F523498		1	DRIVE KEY, WATER PUMP

CONTINUED ON NEXT PAGE ➡

# GEAR HOUSING



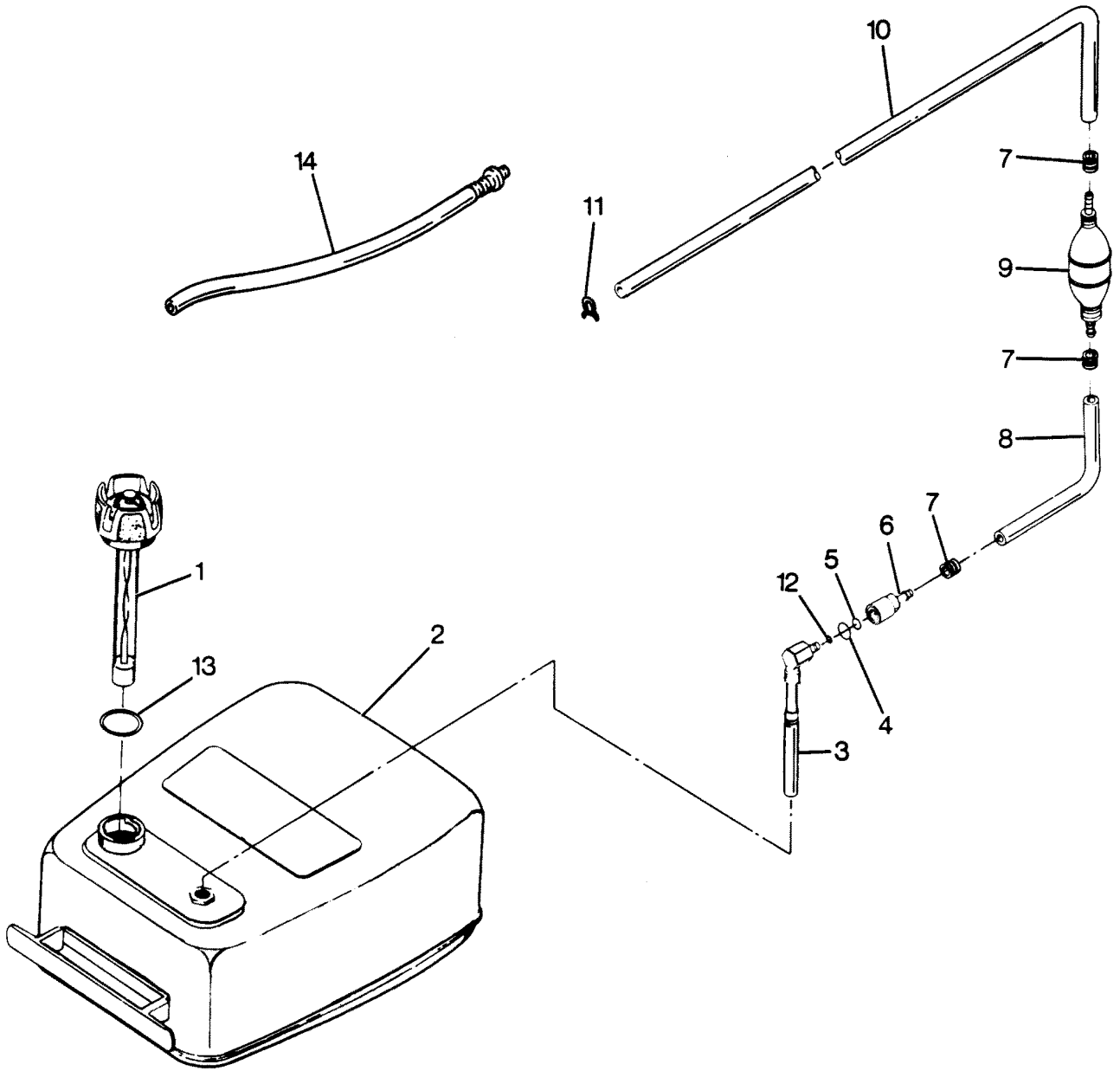
OB 4195

41950-010

# GEAR HOUSING

REF. NO.	PART NO.	SYM.	QTY.	DESCRIPTION
69	45-817967A6		1	DRIVESHAFT W/BEARING ILLUS. 50, 67, AND LITERATURE (20 INCH MODELS) ORIGINAL FORCE P/N K 616128-2
-	<b>45-817961A6</b>		1	DRIVESHAFT W/BEARING ILLUS. 50, 67, AND LITERATURE (25 INCH MODELS) ORIGINAL FORCE P/N K 500128-4
70	F438271		1	RETAINER, CRANKSHAFT SLINE SEAL
71	F438129		1	SEAL, DRIVESHAFT SPLINE
72	F1856		2	PLAIN WASHER
73	F90619-2		1	YOKE
74	FK1063-2		1	SEAL KIT INCLUDES ITEMS MARKED WITH A *
-	<b>F50342-1</b>		4	BEARING CAGE BOLT SEAL
-	<b>F506118</b>		1	PROPELLER SHAFT SEAL
-	<b>F24278</b>		1	PROPELLER SHAFT SPOOL SEAL
-	<b>F84305</b>		1	PROPELLER SHAFT SPOOLS SEAL
-	<b>F498618</b>		1	GEAR SHIFT ARM PIN SEAL
-	<b>F8077</b>		3	WASHER
-	<b>F523555</b>		1	GEAR HOUSING COVER SEAL
-	<b>F74305</b>		1	GEAR HOUSING COVER SEAL
-	<b>F84307-1</b>		1	DRIVE SHAFT SEAL
-	<b>F338618-1</b>		1	GEAR SHIFT ROD SEAL
75	FK1069		1	WATER PUMP KIT INCLUDES ITEMS MARKED WITH A **
-	<b>F1425</b>		2	HEX CAP SCREW, 1/4 - 20 X 5/8 S.S.
-	<b>F1990</b>		2	HEX CAP SCREW, 1/4 - 20 X 1-5/8 S.S.
-	<b>F8083</b>		4	SPRING LOCKWASHER
-	<b>F523031</b>		1	GASKET, WATER PUMP
-	<b>F523065-1</b>		1	IMPELLER
-	<b>F523498</b>		1	KEY
-	<b>F523562</b>		1	PLATE, WATER PUMP
-	<b>46-817853A1</b>		1	WATER PUMP W/ILLUS. 62, 64 AND 65 ORIGINAL FORCE P/N A 523060-1
76	F8083		2	LOCKWASHER
77	F522056		1	BEARING
-	<b>FC663054</b>		1	GEAR HOUSING COMPLETE. INCLUDES ALL ITEMS MARKED WITH AN ASTERISK (*). (20 INCH MODELS)
-	<b>1600-819197A3</b>		0	GEAR HOUSING COMPLETE. INCLUDES ALL ITEMS MARKED WITH AN ASTERISK (*). (25 INCH MODELS) ORIGINAL FORCE P/N C 551054-2
78	F50109		2	PLUG

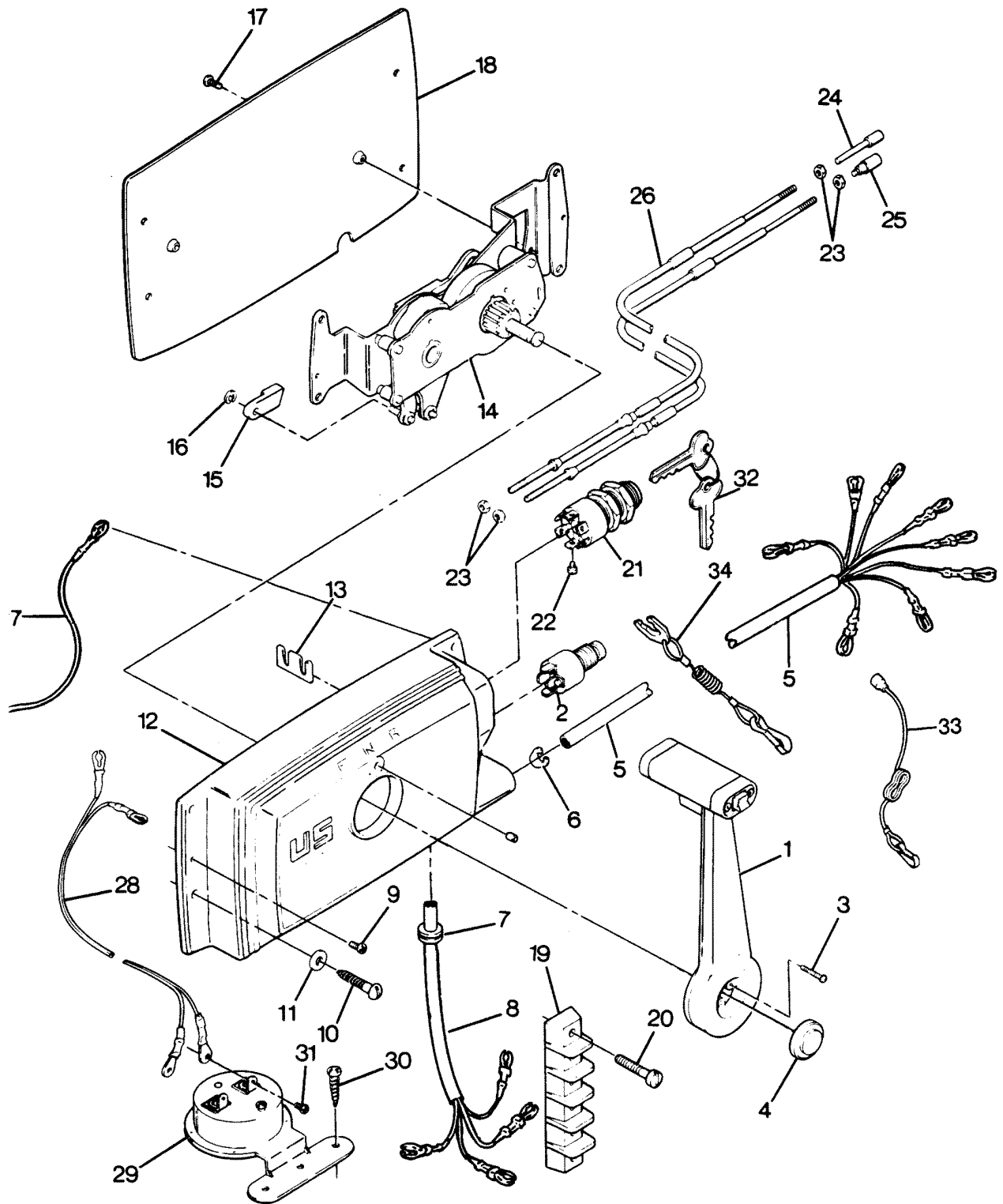
# FUEL TANK AND LINE



## FUEL TANK AND LINE

REF. NO.	PART NO.	SYM.	QTY.	DESCRIPTION
1	F409251-1		1	GAUGE CAP (CANADA) (FORCE MODELS)
2	F5H026-1		1	FUEL TANK ACC. ITEM (FORCE MODELS)
3	F485755-1		1	FUEL TANK ADAPTER
4	F17816		1	SEAL, FUEL LINE COUPLER (LARGE)
5	F17815		1	SEAL, FUEL LINE COUPLER (SMALL)
6	F197787-3		1	FUEL LINE COUPLER
7	F298788		3	FERRULE
8	FA84754-1		1	FUEL LINE SHORT <b>W/ILLUS. 7</b>
9	89396A38		1	PRIME BULB <b>W/LITERATURE ORIGINAL FORCE P/N S 387766-1</b>
10	32-817738A1		1	FUEL LINE LONG <b>W/ILLUS. 7 AND 11 ORIGINAL FORCE P/N A 197752-1</b>
11	F97772		1	FUEL LINE CLAMP
12	F17817		1	SEAL, FUEL TANK ADAPTER
-	<b>F224394-3</b>		1	<b>DECAL, FUEL MIXTURE (USA) (NOT SHOWN)</b>
-	<b>FC311398</b>		1	<b>DECAL, FUEL MIXTURE (CANADA) (NOT SHOWN)</b>
13	F17818		1	GASKET
-	<b>F310398</b>		1	<b>DECAL, FUEL CAUTION (NOT SHOWN)</b>
14	FA612754		1	FUEL LINE, SHORT (BAYLINER MODELS)
-	<b>FS409752</b>		1	<b>FUEL LINE COMPLETE (FORCE MODELS). INCLUDES ALL ITEMS MARKED WITH AN ASTERISK (*)</b>
-	<b>FA630752</b>		1	<b>FUEL LINE COMPLETE (BAYLINER MODELS). INCLUDES ALL ITEMS MARKED WITH AN ASTERSK (*)</b>

# REMOTE CONTROL

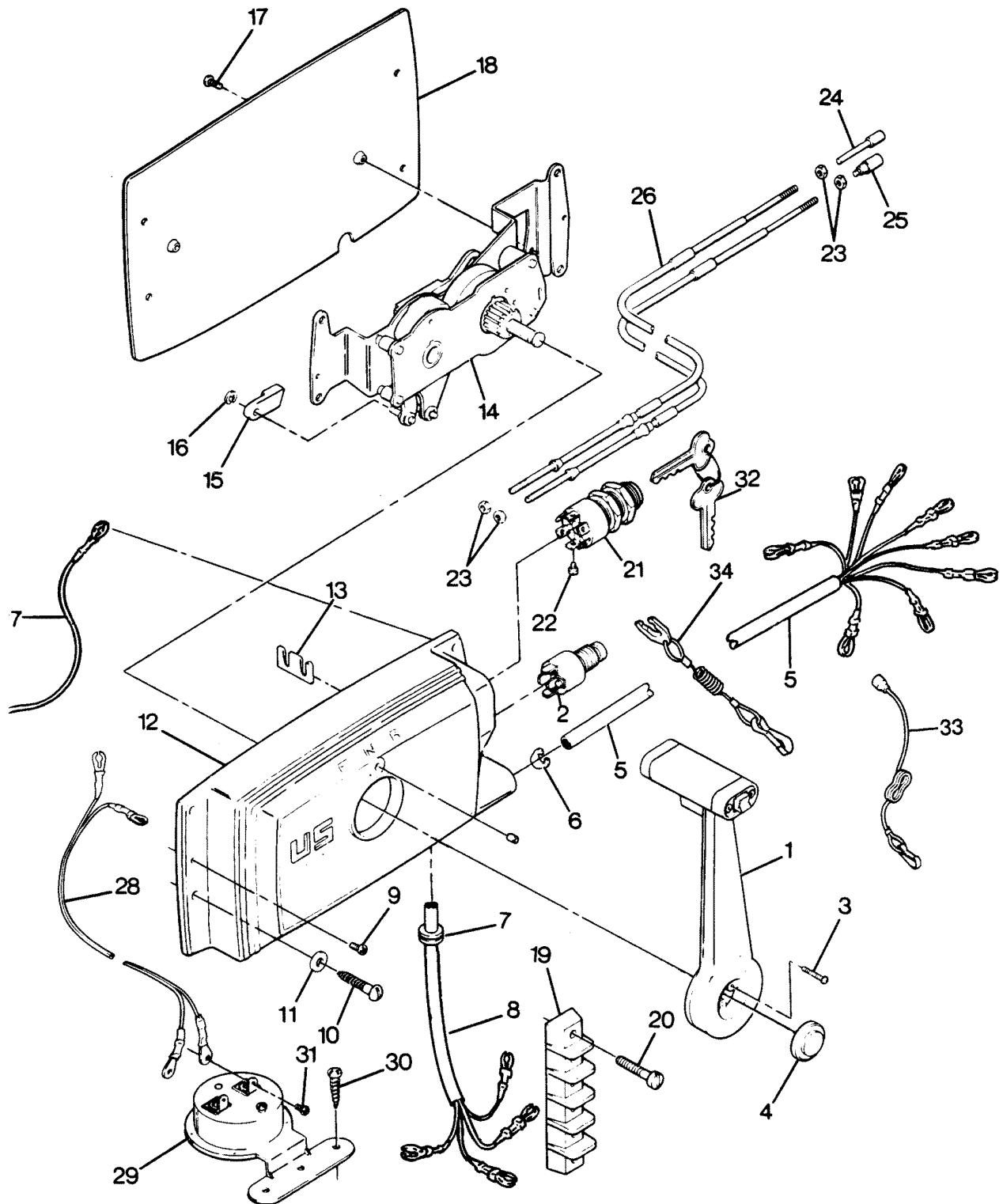


# REMOTE CONTROL

REF. NO.	PART NO.	SYM.	QTY.	DESCRIPTION
1	F660611		1	LEVER W/TRIM SWITCH
2	F660602		1	SWITCH (EMERGENCY STOP)
3	F660165		4	SCREW (LEVER TO ACTUATOR)
4	F660332		1	PLUG (WARM-UP BUTTON)
5	F660843		1	CABLE (15-1/2' REMOTE ELECT.)
-	<b>F663843</b>		-	<b>CABLE (19' REMOTE ELECT. - 10 WIRE)</b>
-	<b>F664843</b>		-	<b>CABLE (22' REMOTE ELECT. - 10 WIRE)</b>
-	<b>F591843</b>		-	<b>CABLE (25' REMOTE ELECT. - 10 WIRE)</b>
-	<b>F5H193</b>		-	<b>CABLE (7' EXTENSION FOR 10 WIRE REMOTE ELECTRIC CABLE)</b>
6	F660446		1	CLAMP (REMOTE ELECT. CABLE)
7	F660504		1	GROMMET (REMOTE ACCESSORY CABLE)
8	F660353		1	CABLE ACCESSORY
9	F660480		2	SCREW (COVER TO ACTUATOR)
10	F660732		4	SCREW (CONTROL MOUNTING)
11	F660595		4	WASHER (CONTROL MTG. SCREWS)
12	F660995		1	COVER (ASSEMBLY - REMOTE CONTROL)
13	F660642		1	RETAINER (REMOTE CABLE)
14	F660327		1	ACTUATOR (ASSEMBLY - REMOTE CONTROL)
15	F660141		2	CONNECTOR (CABLE - REMOTE CONTROL)
16	F660411		2	RING (RETAINING)
17	F660751		2	SCREW (PLATE TO ACTUATOR)
18	F660911		1	PLATE (REMOTE CONTROL)
19	F660497		1	BLOCK (TERMINAL)
20	F1741		2	SCREW (TERMINAL BLOCK)
21	F5H077		1	SWITCH (ACCESSORY ITEM) <b>W/ITEMS 22 AND 32</b>
22	F1280		6	SCREW (IGN. SWITCH WIRE TERMINAL)
23	F1513		4	STOP NUTS (CABLE END)
24	F654976		1	CONNECTOR (THROTTLE)
25	F58685-2		1	CONNECTOR (SHIFT)
26	F195/___		1	REMOTE CONTROL CABLE (SPECIFY LENGTH - X)
27	F660664		1	WIRE (IGN. SWITCH TO ACC. TERMINAL BLOCK)
28	F404841		1	CABLE, OVERHEAT BUZZER
29	F5H073		1	BUZZER, OVERHEAT (ACCESSORY ITEM)
30	F1741		2	SCREW, PAN HD., 8-3/4
31	F1645		8	SCREW, RD. HD., SELF-TAPPING, 6 - 32 X 1/4
32	817782--1		1	IGNITION KEY - NO LETTER OR STAMPED A
-	<b>817883--1</b>		<b>1</b>	<b>IGNITION KEY - STAMPED B</b>
-	<b>817891--1</b>		<b>1</b>	<b>IGNITION KEY - STAMPED C</b>

CONTINUED ON NEXT PAGE ➡

# REMOTE CONTROL

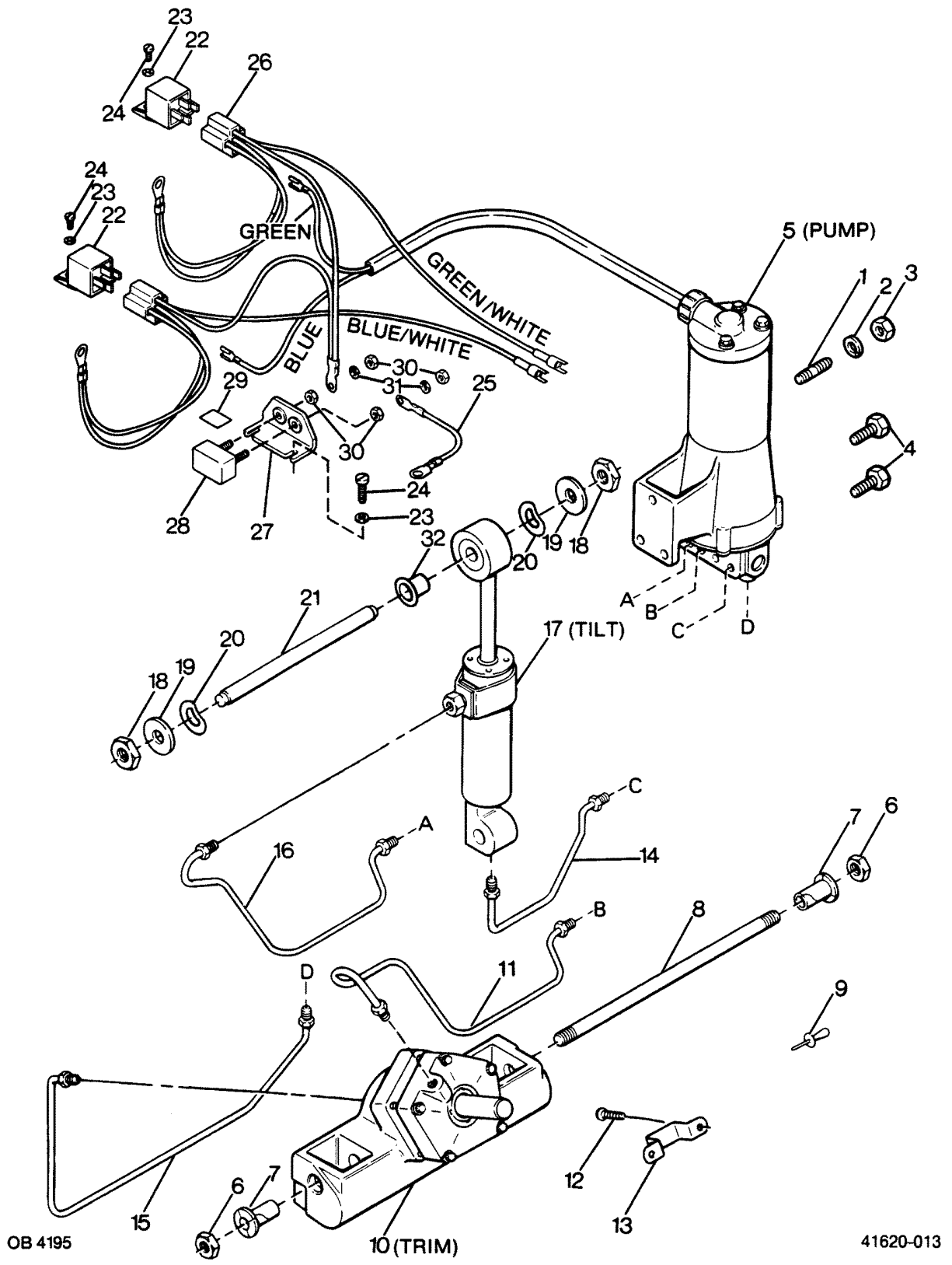




# REMOTE CONTROL

REF. NO.	PART NO.	SYM.	QTY.	DESCRIPTION
-	817928--1		1	IGNITION KEY - STAMPED D
-	817929--1		1	IGNITION KEY - STAMPED E
33	F660329		1	LANYARD, STOP SWITCH (CUP TYPE)
34	F702329		1	LANYARD, STOP SWITCH (FORK TYPE)
-	F5H198		-	REMOTE CONTROL COMPLETE - WIRED FOR POWER TRIM

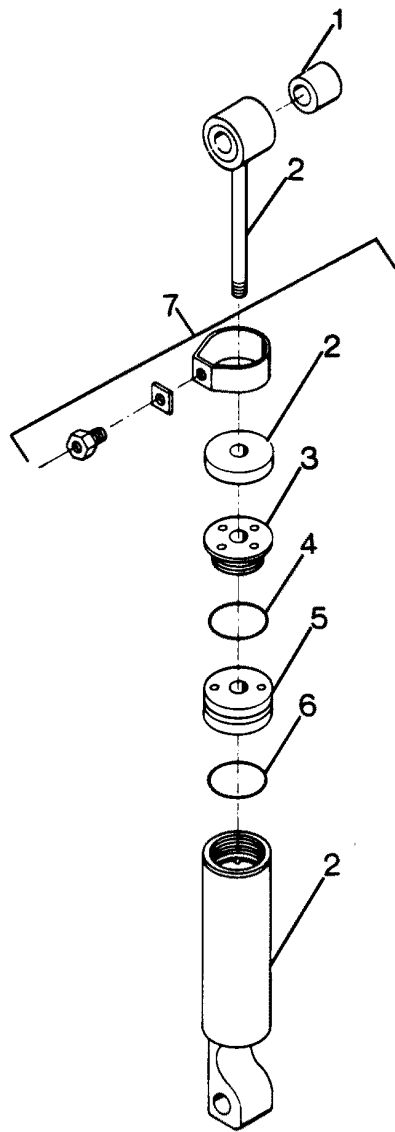
# POWER TRIM UNIT



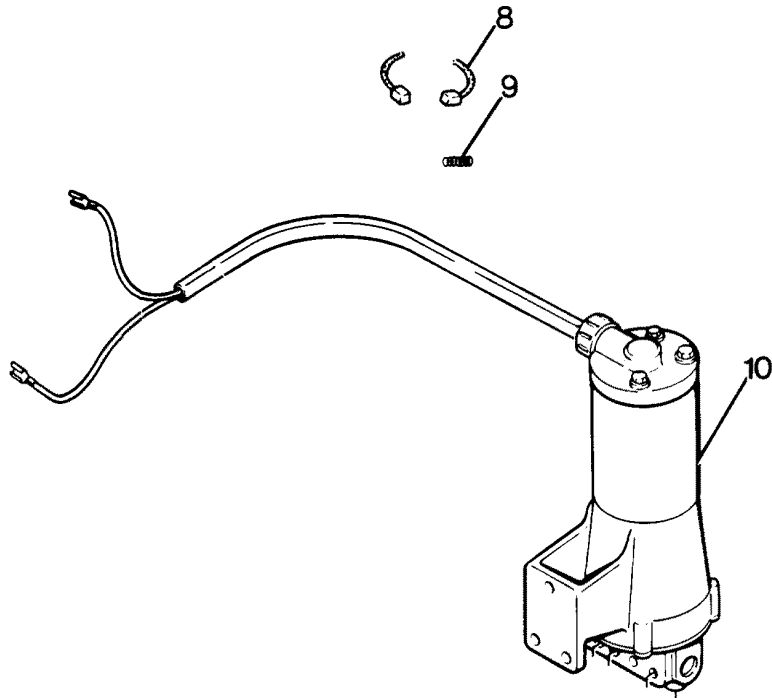
# POWER TRIM UNIT

REF. NO.	PART NO.	SYM.	QTY.	DESCRIPTION
1	F660273		1	STUD
2	F8096		1	WASHER, 5/16 LOCK
3	F1515		1	NUT, 5/16 - 18 HEX
4	F1822		2	SCREW, 5/16 - 18 X 7/8 HEX
5	F660541		1	PUMP/MOTOR ASSEMBLY
6	F7053		2	NUT 5/8 - 18 STOP
7	F449362		2	BEARING, LOWER SHAFT
8	F449632		1	SHAFT, TRIM MOUNT
9	F1966		1	PLUG, PLASTIC
10	818055A3		1	TRIM CYLINDER COMPLETE
11	F660254		1	LINE, UPPER HYDRAULIC TRIM CYLINDER
12	F1734		2	SCREW, 1/4 - 20 X 1/2 W/SPRING LOCKWASHER
13	F449354		1	BRACKET, THRUST
14	F660754		1	LINE, LOWER HYDRAULIC TILT CYLINDER
15	F660253		1	LINE, LOWER HYDRAULIC TRIM CYLINDER
16	F660758		1	LINE, UPPER HYDRAULIC TILT CYLINDER
17	FS654381		1	TRIM CYLINDER COMPLETE
18	F1931		2	NUT, 1/2 - 20 STOP
19	F1710		2	WASHER, PLAIN
20	F1711		2	WASHER, BOWED SPRING
21	F449889		1	SHAFT, UPPER SHOCK
22	F660917		2	RELAY, POWER TRIM
23	F8011		4	WASHER, #10
24	F1760		4	SCREW, #10 - 24 X 3/8 PAN HM.
25	F660908		1	WIRE, RED
26	FA663744		1	WIRING HARNESS
27	F91446-1		1	BRACKET
28	F510460		1	BRACKET, CIRCUIT
29	F510374-1		1	DECAL, CIRCUIT BREAKER
30	F1513		4	NUT, #10 - 32 HEX
31	F1975		2	WASHER, #10 SPRING LOCK
32	F178344		2	BUSHING, SHOCK ABSORBER
-	<b>F5H196</b>		-	<b>POWER TRIM UNIT COMPLETE</b>

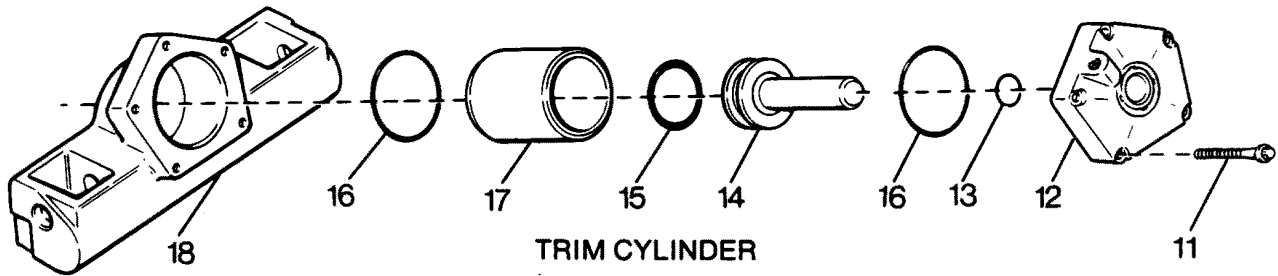
# PARTS BREAKDOWN TILT CYLINDER, TRIM CYLINDER, MOTOR & PUMP



TILT CYLINDER



MOTOR & PUMP



TRIM CYLINDER

## PARTS BREAKDOWN TILT CYLINDER, TRIM CYLINDER, MOTOR & PUMP

REF. NO.	PART NO.	SYM.	QTY.	DESCRIPTION
1	F178344		1	BUSHING
3	FA654055		1	HEAD ASSEMBLY
4	F654618		1	O-RING
5	FA654015		1	PISTON ASSEMBLY
6	FA17561-1		1	O-RING
7	F2A654983		1	CYLINDER BEND ASSEMBLY
8	F17611		1	BRUSH SET
9	F17500		1	SPRING SET, BRUSH
11	F1959		5	SCREW, 1/4 - 20 X 1-3/4 S.S.
12	817802A3		1	COVER
13	F449342		1	SEAL, PISTON SHAFT
14	FA449015		1	PISTON
15	F449278		1	PISTON SEAL
16	F40278		2	SEAL, CYLINDER
17	F449010		1	CYLINDER
18	F449545-2		1	CYLINDER HOUSING

## SPECIAL TOOLS - TUNE-UP

REF. NO.	PART NO.	SYM.	QTY.	DESCRIPTION
-	FTA2937-1		0	TIMING TOOL TO ADJUST TIMING POINTER.
-	FT8978		0	TIMING LIGHT FOR ADJUSTING IGNITION TIMING.
-	FT8948-1		0	PULLER TO REMOVE FLYWHEEL.

## SPECIAL TOOLS - POWER HEAD

REF. NO.	PART NO.	SYM.	QTY.	DESCRIPTION
-	FT2998		0	TORQUE WRENCH (0-100 LBS./FT.) TO TORQUE FLYWHEEL NUT.
-	FT2999		0	TORQUE WRENCH (0-600 LBS./IN.) TO TORQUE ALL FASTENERS.
-	FT2991		0	CARBON BRUSH TO REMOVE CARBON DEPOSITS FROM POWER HEAD.
-	FT8914		0	SEAL REMOVER TO REMOVE UPPER CRANKSHAFT BEARING CAGE SEAL.
-	FT8903		0	SEAL INSTALLER TO INSTALL UPPER CRANKSHAFT BEARING CAGE SEAL.
-	FT8907		0	DRIVER HANDLE USED WITH T 8903.
-	FT8925		0	SEAL INSTALLER TO INSTALL LOWER CRANKSHAFT SEAL.
-	FT2953		0	SOCKET TO TORQUE CONNECTING ROD SCREWS.
-	FT2990		0	PISTON PIN TOOL TO REMOVE AND INSTALL PISTON PINS.
-	FT2996		0	RING COMPRESSOR TO INSTALL PISTONS IN CYLINDER.
-	FT8926		0	RING EXPANDER TO INSTALL PISTON RINGS.
-	FT1082		0	SNAP RING PLIER TO REMOVE AND INSTALL DISTRIBUTOR RETAINING RING.
-	FT8933		0	LIFTING HOOK TO LIFT ENGINE.
-	FT8900		0	HOSE CLAMP PLIERS TO REMOVE FUEL LINE CLAMP.

## SPECIAL TOOLS - GEAR HOUSING

REF. NO.	PART NO.	SYM.	QTY.	DESCRIPTION
-	FT8948-1		0	PULLER TO REMOVE PROPELLER SHAFT SPOOL FROM GEAR HOUSING.
-	FT11209		0	BEARING GUIDE SET TO REMOVE/INSTALL FORWARD BEARING CUP.
-	FT8918		0	BEARING GUIDE SET TO BE USED WITH T 11209 BEARING GUIDE SET.
-	FT11207		0	BEARING CUP REMOVER TO REMOVE FORWARD BEARING CUP IN GEAR HOUSING.
-	FT11205		0	BEARING INSTALLER/REMOVER TO REMOVE AND INSTALL LOWER DRIVESHAFT BEARING.
-	FT11204		0	BEARING CUP INSTALLER TO INSTALL FORWARD BEARING CUP IN GEAR HOUSING.
-	FT8930-1		0	FEELER GAUGE SET TO USE IN SHIMMING LOWER UNIT.
-	FT8957		0	SEAL INSTALLER TO INSTALL SHIFT ROD SEAL.
-	FT8985		0	SEAL INSTALLER TO INSTALL PROPELLER SHAFT SEAL IN SPOOL.
-	FT8925		0	SEAL INSTALLER TO INSTALL DRIVESHAFT SEAL IN GEAR HOUSING COVER.
-	FT3012		0	SEAL INSTALLER TO INSTALL DRIVESHAFT SEAL IN WATER PUMP.
-	FTA8997		0	SHIM TOOL TO SHIM LOWER UNIT.
-	FT8901		0	INDICATOR HOLDER USED IN CONJUNCTION WITH TA 8997.
-	FT8902		0	DIAL INDICATOR USED IN CONJUNCTION WITH TA 8997.
-	FT8907		0	DRIVER HANDLE USED WITH T 11204, T 11205, T 11209.
-	FT8919		0	SPRING PIN PUNCH TO REMOVE CLUTCH SPRING PIN.
-	FT7848		0	TORQUE ADAPTER TO HOLD DRIVESHAFT SPLINE WHILE TORQUING.



## SPECIAL TOOLS - TEST EQUIPMENT

REF. NO.	PART NO.	SYM.	QTY.	DESCRIPTION
-	FT2951		0	CIRCUIT TRACER TO TROUBLESHOOT ELECTRICAL SYSTEM.
-	FTK8999		0	TEST WHEEL TO TEST MOTOR IN TEST TANK. ORIGINAL FORCE P/N TA 8999
-	FT8950		0	LEAKAGE TESTER TO TEST LOWER UNIT SEALS FOR LEAKAGE.
-	FT11260		0	SPARK TESTER TO TEST OUTPUT OF IGNITION SYSTEM.
-	FT2938-1		0	CONTINUITY TESTER TO TEST CIRCUITS FOR CONTINUITY.
-	FTA11259		0	MULTIMETER TO TEST ELECTRICAL COMPONENTS.

# SPECIAL TOOLS - LUBRICANTS AND SEALANTS

REF. NO.	PART NO.	SYM.	QTY.	DESCRIPTION
-	FT2961		0	LUBRICANT - RYKON GREASE #2EP
-	FT2987-1		0	LUBRICANT - ANTI-SEIZE
-	FT8969		0	LUBRICANT - 7 OZ. LPS-1 LUBRICANT
-	FT8955		0	SEALANT - 5 OZ. EC-750 INDUSTRIAL SEALANT
-	FT8983		0	SEALANT - 3 OZ. RTV SEALANT FORM IN PLACE GASKETS
-	FT8936-1		0	SEALANT - 2 CC LOCTITE RETAINING COMPOUND #75
-	FT2962-2		0	SEALANT - 50 CC LOCTITE H, NON-HARDENING GRADE
-	FT2963-2		0	SEALANT - 2 OZ. LOCTITE 271
-	FT8935		0	SEALANT PRIMER LOC QUIC T

# ACCESSORIES

REF. NO.	PART NO.	SYM.	QTY.	DESCRIPTION
-	F5H173		0	FLUSHING ADAPTER PERMITS FRESH WATER FLUSHING OF WATER PASSAGES WITH STANDARD GARDEN HOSE.
-	F5H198		0	REMOTE CONTROL - SURFACE MOUNT PERMITS REMOTE CONTROL OF THROTTLE AND GEAR SHIFT FROM STARBOARD SIDE OF BOAT. INCLUDES HANDLE MOUNTED TURN SWITCH.
-	F5H080		0	TWIN REMOTE CONTROL BOX PERMITS REMOTE CONTROL OF THROTTLE AND GEAR SHIFT - TWO ENGINES. CONSOLE MOUNTED.
-	F195/___		0	REMOTE CONTROL CABLES CONNECTS REMOTE CONTROL BOX TO THROTTLE AND GEAR SHIFT ON ENGINE. AVAILABLE IN 6 THROUGH 26 FOOT LENGTHS.
-	F5H108		0	STEERING CONNECTOR CLEVIS TYPE FOR BOAT MOUNTED STEERING AND NON-THREADED CABLE END.
-	F5H094		0	STEERING LINK KIT CONNECTS STEERING CABLE TO ENGINE WHEN USING ENGINE MOUNTED STEERING SYSTEM.
-	F5H018		0	DUAL STEERING CONNECTOR PERMITS DUAL ENGINE INSTALLATIONS.
-	F5H025		0	ANTI-CORROSION SACRIFICIAL ANODE KIT USED TO REDUCE CORROSION.
-	F5H043		0	OVERHEAT BUZZER SOUNDS WARNING BUZZER IF ENGINE OVERHEATS.
-	F5H161		0	POWER TRIM INDICATOR INDICATES ENGINE TRIM ANGLE.
-	F5H044		0	TILT STOP KIT LIMITS TILTING ANGLE.
-	F5H151		0	SHOCK ABSORBER KIT TO PROVIDE SHOCK PROTECTION WHEN HITTING UNDERWATER OBJECT.
-	F5H081		0	BATTERY CABLE LONGER LENGTH - 15 FEET.
-	F5H157		0	VOLTMETER - FLUSH MOUNT INDICATED BATTERY CONDITION.
-	F5H021		0	EXTENSION CABLE FOR LENGTHENING BATTERY CABLE 6-1/2 FEET.
-	F5H041		0	BATTERY TERMINAL KIT FOR POSITIVE AND NEGATIVE BATTERY POSTS.
-	F5H037		0	CIGAR LIGHTER FOR USE AS CONVENIENCE OUTLET.
-	5H158		0	FUEL GAUGE FLUSH MOUNT MONITORS FUEL SUPPLY.
-	5H145		0	HYDRAULIC TILT HYDRAULIC UNIT TO RAISE AND LOWER THE LOWER UNIT WHEN BEACHING OR TRAILERING BOAT.
-	F5H159		0	HOURMETER RECORDS ENGINE RUNNING TIME.
-	F5H077		0	IGNITION KEY SWITCH SHORT BARREL WITH KEYS.
-	F5H078		0	IGNITION KEY SWITCH LONG BARREL WITH KEYS.
-	F5H028		0	SENDING UNIT, FUEL TANK FOR USE WITH 5H158 FUEL GAUGE.
-	F5H156		0	TEMPERATURE GAUGE FLUSH MOUNT MONITORS ENGINE TEMPERATURE. DO NOT USE TEMPERATURE GAUGE AND HEAT LAMP IN SAME INSTALLATION.
-	F5H167		0	TACHOMETER FLUSH MOUNT MONITORS ENGINE R.P.M. TO PROVIDE CHECK OF ENGINE PERFORMANCE.
-	F5H196		0	POWER TRIM ADJUSTS ENGINE TRIM AND TILTS ENGINE.

CONTINUED ON NEXT PAGE ➡

# ACCESSORIES

REF. NO.	PART NO.	SYM.	QTY.	DESCRIPTION
-	F5H155		0	SPEEDOMETER FLUSH MOUNT MONITORS BOAT SPEED (10 - 65 M.P.H.)
-	F5H154		0	SPEEDOMETER FLUSH MOUNT MONITORS BOAT SPEED (10 - 50 M.P.H.)
-	F5H115		0	TRAILERING TILT LOCK SECURES ENGINE IN HALF TILT POSITION FOR TRAILERING (WITHOUT TRIM AND TILT).
-	F5H179		0	TRAILERING TILT LOCK SECURES ENGINE IN HALF TILT POSITION FOR TRAILERING (WITH TRIM AND TILT).
-	F5H030		0	SWITCH KIT - RUNNING LIGHTS DASH MOUNTED TOGGLE SWITCH.
-	F5H031		0	SWITCH KIT - SPOT LIGHT DASH MOUNTED TOGGLE SWITCH.
-	F5H032		0	SWITCH KIT - WIPER DASH MOUNTED TOGGLE SWITCH.
-	F5H034		0	SWITCH KIT - BILGE PUMP DASH MOUNTED TOGGLE SWITCH.
-	F5H035		0	SWITCH KIT - HORN DASH MOUNTED TOGGLE SWITCH (MOMENTARY).
-	F5H036		0	SWITCH KIT - TACHOMETER TRANSFER DASH MOUNTED TOGGLE SWITCH FOR ONE TACHOMETER ON DUAL ENGINE INSTALLATION.
-	F5H039		0	SWITCH KIT - INSTRUMENT LIGHT DASH MOUNTED TOGGLE SWITCH.
-	F563		0	TERMINAL BLOCK KIT DOUBLE ROW 10 SECTION TO SIMPLIFY ACCESSORY INSTALLATION.
-			0	US MARINE OUTBOARD OIL SEE NOTE 1
-	F596-		0	PINT CANS SEE NOTE 1
-	F5H187		0	QUART BOTTLES SEE NOTE 1
-	597-		0	US MARINE OUTBOARD GEAR LUBE SEE NOTE 2
-	F5H191		0	FORCE BLUE ENAMEL ENGINE TOUCH-UP PAINT IN 13 OZ. AVERAGE SPRAY BOMBS (6 CANS PER CASE).
-	F5H192		0	FORCE BLUE ENAMEL ENGINE TOUCH-UP PAINT IN 1/2 OZ. BOTTLE WITH BRUSH IN CAP (12 BOTTLES PER BOX).
-	F5H194		0	CLEAR COAT ENAMEL ENGINE TOUCH-UP PAINT IN 13 OZ. AVERAGE SPRAY BOMBS (6 CANS PER CASE).
-	F5H211		0	MAXUM GRAY ENAMEL ENGINE TOUCH-UP PAINT IN 13 OZ. AVERAGE SPRAY BOMBS (6 CANS PER CASE).
-	F5H212		0	MAXUM GRAY ENAMEL

# PARTS INDEX

Part Number	Description	Pg.	Ref. No.	Part Number	Description	Pg.	Ref. No.
5H145	HYDRAULIC TILT . . . . .	65	-	F10219	CHOKE SHAFT ASSEMBLY . . . . .	25	5
5H158	FUEL GAUGE FLUSH MOUNT . . . . .	65	-	F10234	FLOAT KIT, VALVE & SEAT . . . . .	25	27
817747--1	BALL JOINT W/STUD . . . . .	19	28	F1059	FILL HD SCREWS, S.S., 6 - 32 X 1/4 . . . . .	19	58
817747--1	BALL JOINT W/STUD . . . . .	27	18	F1064	FILL HD SCREWS, S.S., 8 - 32 X 3/8 . . . . .	21	74
817782--1	IGNITION KEY - NO LETTER OR STAMPED A . . . . .	53	32	F1072	FILL HD SCREW, 1/4 - 20 X 1-3/4 . . . . .	21	68
817782--1	KEY IGNITION - NO LETTER OR STAMPED A . . . . .	13	19	F1110	FILL HD. SCREW, 1/4 - 20 X 5/8 . . . . .	31	77
817783A5	SWIVEL BRACKET W/GREASE FITTINGS . . . . .	39	27	F1112	FILL HD SCREW, 1/4 - 20 X 7/8 . . . . .	45	20
817783A5	SWIVEL BRACKET W/GREASE FITTINGS . . . . .	43	28	F1199	HEX CAP SCREW, 1/4 - 20 X 1 . . . . .	27	15
817787A1	CYLINDER DRAIN COVER . . . . .	27	42	F1203	HEX CAP SCREW, 1/4 - 20 X 7/8 . . . . .	11	25
817788A3	SPACER PLATE . . . . .	29	67	F1203	HEX HD. SCREW, 1/4 - 20 X 7/8 . . . . .	31	88
817802A3	COVER . . . . .	59	12	F1236	HEX HD SCREW, 1/4 - 20 X 1/2 . . . . .	19	42
817883--1	IGNITION KEY - STAMPED B . . . . .	53	-	F1238	HEX CAP SCREW, 1/4 - 20 X 3/4 . . . . .	11	26
817883--1	KEY IGNITION - STAMPED B . . . . .	13	-	F1263	HEX SOCKET HD. CAP SCREW, 5/16 - 18 X 9/16 . . . . .	35	11
817891--1	IGNITION KEY - STAMPED C . . . . .	53	-	F1280	PAN HD. SCREW, 8 - 32 X 1/4 . . . . .	35	19
817891--1	KEY IGNITION - STAMPED C . . . . .	13	-	F1280	SCREW (IGN. SWITCH WIRE TERMINAL) . . . . .	53	22
817928--1	IGNITION KEY - STAMPED D . . . . .	55	-	F1280	SLOTTED PAN HD. SCREW, 8 - 32 X 1/4 . . . . .	13	15
817928--1	KEY IGNITION - STAMPED D . . . . .	13	-	F1286	PAN HD. SCREW, 4 - 40 X 3/16 . . . . .	27	40
817929--1	IGNITION KEY - STAMPED E . . . . .	55	-	F1303	PAN HD. SCREW, 8 - 32 X 3/4 . . . . .	15	70
817929--1	KEY IGNITION - STAMPED E . . . . .	13	-	F1341	HEX NUT, 1/4 - 20 . . . . .	27	22
817946A2	REVERSE LOCK LEVER KIT . . . . .	39	1	F1341	NUT . . . . .	17	19
817959A3	INTAKE MANIFOLD . . . . .	19	25	F1341	NUT, 1/4 - 20 . . . . .	15	53
817968A2	TOWERSHAFT . . . . .	27	19	F1346	HEX NUT, 3/8 - 16 . . . . .	27	6
818055A3	TRIM CYLINDER COMPLETE . . . . .	57	10	F1346	HEX NUT, 3/8 - 16 . . . . .	39	16
89396A38	PRIME BULB . . . . .	51	9	F1346	HEX NUT, 3/8 - 16 S.S. . . . .	43	10
F1009	HEX BOLT, 3/8 - 16 X 2-3/4 . . . . .	27	3	F1425	HEX CAP SCREW, 1/4 - 20 X 2-5/8 S.S. . . . . .	47	63
F10090	BOWL RETAINER GASKET . . . . .	25	14	F1425	HEX CAP SCREW, 1/4 - 20 X 5/8 S.S. . . . . .	49	-
F10127	FUEL BOWL . . . . .	25	2	F1473	NUT, 10 - 24 S.S. . . . . .	23	18
F10128	SHAFT RING RETAINER . . . . .	25	1	F1491	HEX HD SCREW, 5/16 - 18 3/4 . . . . .	47	41
F10135	FLOAT ASSEMBLY . . . . .	25	7	F1493	PAN HD. SCREW, 5/16 - 18 X 5/8 S.S. . . . . .	11	4
F10137	NOZZLE . . . . .	25	9	F1504	FILL HD SCREW, 1/4 - 20 X 1-1/4 . . . . .	21	66
F1014	COTTER PIN . . . . .	19	54	F1504	FILL HD. SCREW, 1/4 - 20 X 1-1/4 . . . . .	27	13
F1014	COTTER PIN . . . . .	39	3	F1504	FILL HD. SCREW, 1/4 - 20 X 1-1/4 . . . . .	27	21
F10141	IDLE NEEDLE SPRING . . . . .	25	18	F1504	SLOTTED FIL SCREW, 1/4 - 20 X 1-1/4 S.S. . . . . .	23	8
F10142	FLOAT SUPPORT SPRING . . . . .	25	19	F1513	HEX NUT 10 - 32 . . . . .	29	49
F10143	CHOKE VALVE SPRING . . . . .	25	20	F1513	HEX NUT, 10 - 32 . . . . .	13	26
F1015	COTTER PIN . . . . .	47	47	F1513	HEX NUT, 10 - 32 . . . . .	19	33
F10152	CUP PLUG . . . . .	25	10	F1513	NUT, #10 - 32 HEX . . . . .	57	30
F10153	WELCH PLUG . . . . .	25	11				
F10155	CHOKE AND THROTTLE SCREW . . . . .	25	17				
F10161	CHOKE VALVE . . . . .	25	6				
F10168	THROTTLE SHAFT ASSEMBLY . . . . .	25	3				
F10169	THROTTLE VALVE . . . . .	25	4				
F10172	THROTTLE RETURN SPRING . . . . .	25	21				
F10204	NOZZLE SPRING . . . . .	25	22				
F10205	BOWL RETAINER SCREW . . . . .	25	16				
F10206	BOWL RETAINER GASKET . . . . .	25	12				
F10208	PIN, FLOAT ASSEMBLY . . . . .	25	8				
F10212	MAIN FUEL JET (.074) SEA LEVEL - 2500 FT. . . . .	25	25				
F10213	072) 2500 - 5000 FT. . . . .	25	-				
F10214	070) 5000 - 7500 FT. . . . .	25	-				
F10215	068) 7500 - 10,000 FT. . . . .	25	-				

# PARTS INDEX

Part Number	Description	Pg.	Ref. No.	Part Number	Description	Pg.	Ref. No.
F1513	STOP NUTS (CABLE END)	53	23	F1710	WASHER, PLAIN	57	19
F1515	HEX NUT, 5/16 - 18	19	51	F1711	SPRING BOWED WASHER	43	17
F1515	HEX NUT, 5/16 - 18	37	43	F1711	WASHER, BOWED SPRING	57	20
F1515	HEX NUT, S.S., 5/16 - 18	13	25	F1713	SPRING PIN	45	26
F1515	HEX NUT, S.S., 5/16 - 18	13	29	F1727	PLASTIC RIVET	27	25
F1515	NUT, 5/16 - 18 HEX	57	3	F1729	PLUG	35	8
F15152	LOCKWASHER	17	18	F1733	PAN HD. SCREW, 10-24 X 9/16	11	11
F15158	SCREW, BRUSH HOLDER	17	15	F1734	FILL HD. SCREW, 1/4 - 20 X 1/2	13	12
F15160	INSULATOR WASHER	17	16	F1734	SCREW, 1/4 - 20 X 1/2 W/SPRING LOCKWASHER	57	12
F15161	PLAIN WASHER	17	17	F1741	PAN HD. SCREW, 8 X 3/4	15	49
F15162	NUT	17	20	F1741	SCREW (TERMINAL BLOCK)	53	20
F15164	BRUSH KIT	17	7	F1741	SCREW, PAN HD., 8-3/4	53	30
F15174	DRIVE KIT	17	1	F1744	SPRING PIN	39	34
F15175	DRIVE ASSEMBLY PINION	17	2	F1744	SPRING PIN	39	38
F15176	CAP STARTER DRIVE	17	3	F17500	SPRING SET, BRUSH	59	9
F15177	ARMATURE	17	4	F1755	RD HD SCREW W/LOCKWASHER, 6 - 32 X 5/16	19	17
F15178	THRU BOLT PACKAGE	17	5	F1760	PAN HD SCREW, 10 - 24 X 3/8	21	63
F15179	COMMUTATOR	17	6	F1760	SCREW, #10 - 24 X 3/8 PAN HM.	57	24
F1532	HEX HD SCREW, 1/4 - 20 X 1	19	47	F1760	SLOTTED PAN HD. SCREW, 10 - 24 X 3/8	15	40
F1532	HEX HD. SCREW, 1/4 - 20 X 1	29	43	F17611	BRUSH SET	59	8
F1540	HEX HD. SCREW, 1/4 - 20 X 5/8 GR. 5	23	21	F177330	VALVE, FUEL PUMP	23	24
F1550	SLOTTED PAN HD. SCREW #12 - 24 X 1	15	60	F177350	PIN, REVERSE LOCK	39	29
F1556	FILL HD. SCREW W/LOCKWASHER, 10 - 24 X 3/8	27	23	F178145-4	COVER, MOTOR LEG REAR	35	9
F1641	LOCK NUT	17	8	F17815	SEAL, FUEL LINE COUPLER (SMALL)	51	5
F1645	HD. SCREW, 6 - 32 X 1/4	13	5	F17816	SEAL, FUEL LINE COUPLER (LARGE)	51	4
F1645	SCREW, RD. HD., SELF- TAPPING, 6 - 32 X 1/4	53	31	F17817	SEAL, FUEL TANK ADAPTER	51	12
F1647	HEX NUT, 8 - 32	13	8	F17818	GASKET	51	13
F1648	PAN HD. SCREW, 10 - 24 X 3/4	13	20	F178323	SEAL	35	13
F1648	SCREW 10 - 24 X 3/4 PAN HD SCREW	23	13	F178344	BUSHING	43	5
F1648	SCREW, FUEL SEDIMENT BOWL	23	6	F178344	BUSHING	59	1
F1664	SPRING PIN	35	10	F178344	BUSHING, SHOCK ABSORBER	57	32
F1666	BOWED SPRING WASHER	39	11	F1788	STOP NUT	45	15
F1669	LOCKNUT	39	31	F1804	STOP NUT	27	16
F1693	TIE BAR RETAINER	21	73	F18160-3	REED	27	37
F1693	TINNERMAN NUT, 8-32	9	15	F1822	HEX BOLT, 5/16 - 18 X 7/8	35	38
F1696	HEX BOLT, 5/16 - 18 X 1	35	23	F1822	SCREW, 5/16 - 18 X 7/8 HEX	57	4
F1699	HEX HD SCREW, 1/4 - 20 X 1-1/8	19	27	F1829	FILL HD. SCREW, 10 - 24 X 7/8	27	20
F1703	SPRING LOCKWASHER	29	65	F1832	NUT, LOCK 1/4 - 20	15	57
F1703	SPRING, LOCKWASHER	35	32	F1832	STOP NUT, 1/4 - 20	29	61
F1704	INTERNAL TOOTH LOCKWASHER	13	4	F1836	SPRING PIN	39	5
F1705	HEX CAP SCREW, 1/4 - 20 X 3/4 S.S.	45	1	F184033-1	CHOKE ARM SWIVEL	19	57
F1705	HEX HD. SCREW, 1/4 - 20 X 3/4	15	68	F184122-1	CRANKCASE SEAL	29	-
F1708	HEX HD. SCREW, 1/4 - 20 X 1-3/8	31	99	F184122-1	PARTING LINE SEAL	27	11
F1709	HEX HD. SCREW, 1/4 - 20 X 1-1/8	31	87	F184579	SEAL, CHOKE ARM SWIVEL	19	56
F1710	WASHER	43	3	F1854	HEX CAP SCREW, 1/4 - 20 X 5/8	11	9
				F1854	HEX HD. CAP SCREW, 1/4 - 20 X 5/8	17	12

# PARTS INDEX

Part Number	Description	Pg.	Ref. No.	Part Number	Description	Pg.	Ref. No.
F1856	PLAIN WASHER	49	72	F1959	SCREW, 1/4 - 20 X 1-3/4 S.S.	59	11
F1857	HEX CAP SCREW, 5/16 - 18 X 5/8	11	18	F1966	PLUG, PLASTIC	57	9
F1857	HEX CAP SCREW, 5/16 - 18 X 5/8	11	7	F1968	HEX NUT, 3/4 X 16	15	62
F1858	HEX CAP SCREW, 5/16 - 18 X 1	11	19	F1975	LOCKWASHER	13	18
F1858	HEX CAP SCREW, 5/16 - 18 X 1	47	39	F1975	LOCKWASHER	23	14
F1860	SLOTTED BINDING HEAD SCREW, 6 - 32 X 1/4	23	25	F1975	WASHER, #10 SPRING LOCK	57	31
F1864	HEX HD. SCREW, 1/4 - 20 X 3/4	27	8	F197787-3	FUEL LINE COUPLER	51	6
F1864	HEX HD. SCREW, 1/4 - 20 X 3/4	29	52	F197813	BEARING	39	2
F1864	HEX SLOT HD. SCREW, 1/4 -20 X 3/4	35	3	F1987	PLAIN WASHER	31	71
F1866	PLAIN WASHER	45	16	F1987	WASHER	35	30
F1869	HEX BOLT, 3/8 - 16 X 1-1/4	29	64	F1990	HEX CAP SCREW, 1/4 - 20 X 1-5/8 S.S.	47	61
F1871	HEX HD. SCREW, 3/8 - 16 X 3/4	35	26	F1990	HEX CAP SCREW, 1/4 - 20 X 1-5/8 S.S.	49	-
F1871	HEX HD. SCREW, 3/8 - 16 X 3/4	35	33	F1994	HEX SOCKET HD CAP SCREW, 5/16 - 18 X 1	47	37
F1872	HEX BOLT, 3/8 - 16 X 1-3/4	27	14	F1999	HEX CAP SCREW, 1/4 - 20 X 7/8 S.S.	47	55
F1873	HEX BOLT, 3/8 - 16 X 3	27	5	F2000	HEX CAP SCREW, 5/16 - 18 X 3/4	31	100
F1877	TY-RAP (NOT SHOWN)	15	-	F2008	HEX CAP SCREW, 1/4 - 20 X 7/8	31	98
F1883	HEX BOLT, 5/16 - 18 X 2-3/8	31	72	F2008	HEX HD SCREW, 1/4 - 20 X 7/8	19	26
F1885	HEX BOLT, 5/16 - 18 X 4-1/4	29	56	F2008	HEX HD. M. SC., 1/4 - 20 X 7/8	15	44
F1885	HEX CAP SCREW, 5/16 - 18 X 4-1/4 S.S.	45	6	F2008	HEX HD. MACH. SCREW, 1/4 - 20 X 7/8	15	47
F1904	WASHER	39	15	F2012	WASHER	3	2
F1904	WASHER	43	9	F2012	WASHER	5	2
F1907	PLAIN WASHER S.S.	45	7	F2012	WASHER	7	2
F19109	PLUG	31	83	F2012	WASHER	9	2
F1912	HEX HD. SCREW, 10 - 24 X 1/2	37	45	F2014	WASHER	35	27
F1922	HEX CAP SCREW, 1/4 - 20 X 5/8	17	10	F2015	HEX NUT, 1/4 - 28	27	30
F1922	HEX HD. SCREW, 1/4 - 20 X 5/8	29	46	F2016	SLOTTED FILL HD. SCREW, 6 - 32 X 7/8	13	1
F1931	NUT, 1/2 - 20 STOP	57	18	F2018	LOCKNUT	35	29
F1934	FLAT HD. SCREW, 6 X 1/2	13	21	F2030	HEX HD. CAP SCREW, 1/4 - 20 X 1-1/4	37	44
F1936	SPACER, BEVEL GEAR FRONT .059	45	28	F2030	HEX HD. SCREW, 1/4 - 20 X 1-1/4	35	24
F1937	SPACER, BEVEL GEAR FRONT .062	45	-	F2033	GROOVE PIN	19	39
F1938	SPACER, BEVEL GEAR FRONT .065	45	-	F2042	PLAIN WASHER	27	31
F1939	SPACER, BEVEL GEAR FRONT .068	45	-	F2047	WAVE WASHER	11	21
F1940	SPACER, BEVEL GEAR FRONT .071	45	-	F2050	HEX HD SCREW, 1/4 - 20 X 1-1/2	19	36
F1941	SPACER, BEVEL GEAR FRONT .074	45	-	F2067	PLASTIC CAP	33	22
F1942	SPACER, BEVEL GEAR FRONT .077	45	-	F2081	HEX SOC. HD. SCREW, 1/4 - 20 X 3/4	33	18
F195/___	REMOTE CONTROL CABLE (SPECIFY LENGTH - X)	53	26	F2088	FASTENER	11	3
F195/___	REMOTE CONTROL CABLES	65	-	F2089	SLOTTED PAN HD. MACHINE SCREW, 10 - 24 X 5/16	29	58
				F2090	PLUG	29	68
				F2093	STOP NUT, 3/8 - 24	35	15
				F2106	LOCKWASHER	15	55
				F2108	STOP NUT, 5/16 - 18	29	59
				F2113	SPACER, BEVEL GEAR FRONT .080	45	-

# PARTS INDEX

Part Number	Description	Pg.	Ref. No.	Part Number	Description	Pg.	Ref. No.
F2115	SPACER, BEVEL GEAR FRONT .086	45	-	F316599	SEAL	43	21
F2116	SPACER, BEVEL GEAR FRONT .089	45	-	F316599	SEAL, STEERING SUPPORT TUBE	39	24
F2121	SPACER, BEVEL GEAR FRONT .057	45	-	F319908	WIRE, GROUND (C.D. - COIL BRACKET)	15	56
F2122	SPACER, BEVEL GEAR FRONT .054	45	-	F333316	THROTTLE ROLLER SHAFT	19	52
F213274	GREASE FITTING	39	9	F335215	SPACER, PISTON PIN (2 PER PISTON)	33	3
F213274	GREASE FITTING	43	20	F335217-1	BEARING PISTON PIN (26 PER SET)	33	5
F2143	HEX SOC. HD. SCREW, 1/4 - 20 X 1 S.S.	3	3	F335654-1	DEFLECTION STOP	11	20
F2143	HEX SOC. HD. SCREW, 1/4 - 20 X 1 S.S.	5	3	F338618-1	GEAR SHIFT ROD SEAL	49	-
F2143	HEX SOC. HD. SCREW, 1/4 - 20 X 1 S.S.	7	3	F338618-1	SEAL, GEAR SHIFT ROD	47	56
F2143	HEX SOC. HD. SCREW, 1/4 - 20 X 1 S.S.	9	3	F345683	WIRE, GROUND (RECTIFIER TO STARTER BOLT)	15	51
F215962	MOUNT (SHOCK - C.D. UNIT)	13	32	F351307	SEAL, WATER PUMP	47	64
F2185	HEX HD. SCREW, 3/8 - 16 X 3-1/2	39	14	F353480	STUD	39	17
F2185	HEX HD. SCREW, 3/8 - 16 X 3-1/2 S.S.	43	8	F353480	STUD	43	11
F2216	HEX SOC. HD. SCREW, 8-32 X 1/2 S.S.	9	13	F369349	REVERSE LOCK	39	32
F224394-3	DECAL, FUEL MIXTURE (USA) (NOT SHOWN)	51	-	F369364	ARM, REVERSE LOCK	41	43
F24278	PROPELLER SHAFT SPOOL SEAL	49	-	F369510	LINK	39	33
F24278	SEAL, O-RING PROPELLER SHAFT SPOOL	45	10	F369529-1	CYLINDER HEAD GASKET	29	-
F269319	BEARING	19	31	F369529-1	CYLINDER HEAD GASKET	31	84
F284659-2	CRANKSHAFT THRUST BEARING, UPPER	33	21	F369610	BEARING	29	55
F286461	SPRING, LOCKBAR HANDLE	39	36	F369887	SHOULDER SCREW	29	54
F286818	BEARING, LATCH SHAFT	11	16	F369977-1	INTERLOCK ARM	29	63
F289446-1	CLAMP, REMOTE ELEC. CABLE TO BRACKET	13	1	F381896-4	BATTERY CABLE	13	34
F298788	FERRULE	51	7	F391926-1	CHOKE SOLENOID PLUNGER	19	40
F2A404757	CYLINDER DRAIN REED PLATE	27	36	F3A523158	REED PLATE	19	21
F2A498662	BEVEL GEAR REAR W/BEARING CAGE, SPACER AND BEARING	45	22	F40209	CARBURETOR STUD	19	50
F2A523239	SPOOL, PROPELLER SHAFT BEARING	45	11	F40223	GASKET, TRANSFER PORT COVER	23	22
F2A550706	GEAR HOUSING COVER	47	53	F40223	GASKET, TRANSFER PORT COVER	29	48
F2A615144	CRANKSHAFT BEARING CAGE	33	17	F40223	TRANSFER PORT COVER GASKET	29	-
F2A654983	CYLINDER BEND ASSEMBLY	59	7	F40278	SEAL, CYLINDER	59	16
F2A658746	FUEL PUMP COMPLETE	23	26	F404268	SPRING, BY-PASS VALVE	31	95
F2C685712	ENGINE COVER, COMPLETE	3	-	F404801	FITTING	29	44
F2C685712	ENGINE COVER, COMPLETE	5	-	F404841	CABLE, HEAT INDICATOR	15	52
F2C685712	ENGINE COVER, COMPLETE	7	-	F404841	CABLE, OVERHEAT BUZZER	53	28
F2C685712	ENGINE COVER, COMPLETE	9	-	F40689-1	BEARING, TOWERSHAFT	29	66
F307317	CLIP, TERMINAL BLOCK GROUND	13	17	F407446	CLAMP	13	33
F310398	DECAL, FUEL CAUTION (NOT SHOWN)	51	-	F409251-1	GAUGE CAP (CANADA) (FORCE MODELS)	51	1
F316579	SEAL, CRANKCASE	33	11	F428096	RETAINER, THERMOSWITCH	15	74
				F428096	RETAINER, THERMOSWITCH	31	103
				F433114	HANDLE, LOCKBAR	39	37
				F433209-1	STUD	19	34
				F433253	HOSE	29	45
				F438066	BY-PASS VALVE COVER	31	93
				F438129	SEAL, DRIVESHAFT SPLINE	49	71
				F438169	BEARING	39	25
				F438169	BEARING	43	24
				F438271	RETAINER, CRANKSHAFT SLINE SEAL	49	70
				F438346	MOUNT, LOWER SHOCK	35	35



# PARTS INDEX

Part Number	Description	Pg.	Ref. No.	Part Number	Description	Pg.	Ref. No.
F438500	BOWL, FUEL SEDIMENT . . .	23	5	F506118	SEAL, DRIVESHAFT . . . . .	47	52
F438617	GASKET, FUEL SEDIMENT BOWL . . . . .	23	3	F506118	SEAL, PROPELLER SHAFT .	45	9
F438653	SCREEN, FUEL PUMP . . . . .	23	4	F510374-1	DECAL, CIRCUIT BREAKER	13	37
F438668	RETAINER . . . . .	15	66	F510374-1	DECAL, CIRCUIT BREAKER	57	29
F438747	DIAPHRAGM, FUEL PUMP .	23	15	F510460	BRACKET, CIRCUIT . . . . .	57	28
F438754	FUEL LINE . . . . .	19	44	F510460	CIRCUIT BREAKER . . . . .	13	38
F438760	GASKET, FUEL PUMP . . . . .	23	16	F511125-2	TUBE, STEERING SUPPORT	39	23
F438801	FITTING, FUEL PUMP OUTLET . . . . .	23	11	F511125-2	TUBE, STEERING SUPPORT	43	19
F438930	RETAINER, SNOUT . . . . .	47	36	F522056	BEARING . . . . .	49	77
F438962	MOUNT, LOWER REAR SHOCK . . . . .	35	12	F523031	GASKET, WATER PUMP . . .	47	57
F449010	CYLINDER . . . . .	59	17	F523031	GASKET, WATER PUMP . . .	49	-
F449278	PISTON SEAL . . . . .	59	15	F523057	BEARING, DRIVESHAFT LOWER . . . . .	47	66
F449342	SEAL, PISTON SHAFT . . . . .	59	13	F523065-1	IMPELLER . . . . .	49	-
F449354	BRACKET, THRUST . . . . .	57	13	F523065-1	WATER PUMP IMPELLER . .	47	59
F449362	BEARING . . . . .	43	15	F523099-1	SPACER, PROPELLER . . . .	45	19
F449362	BEARING, LOWER SHAFT .	57	7	F523116-1	EXHAUST SNOUT . . . . .	47	38
F449545-2	CYLINDER HOUSING . . . . .	59	18	F523133-2	MOTOR LEG (20 INCH MODELS) . . . . .	35	14
F449632	SHAFT, TRIM MOUNT . . . . .	57	8	F523146-1	SEAL, CRANKSHAFT LOWER . . . . .	33	13
F449889	SHAFT, UPPER SHOCK . . .	57	21	F523146-1	SEAL, CRANKSHAFT UPPER	33	19
F475504	GROMMET . . . . .	15	42	F523188	NUT, BEVEL PINION RETAINING . . . . .	47	34
F476066-1	COVER, THERMOSTAT . . . .	31	78	F523244	INLET WATERLINE (20 INCH MODELS) . . . . .	45	5
F476067	GASKET, THERMOSTAT COVER . . . . .	31	81	F523273	STUD . . . . .	35	22
F476067	THERMOSTAT COVER GASKET . . . . .	29	-	F523274	GREASE FITTING . . . . .	39	22
F480107-1	CAM, STARTER INTERLOCK	29	57	F523274	GREASE FITTING . . . . .	43	18
F480388	DISC, WATER PUMP LOCATING . . . . .	47	62	F523280	NUT . . . . .	43	25
F480551-1	BRACKET INTERLOCK SWITCH . . . . .	19	48	F523280	NUT, STEERING SUPPORT TUBE . . . . .	39	28
F481434	GUIDE, ENGINE COVER . . .	11	1	F523300-1	SPRING . . . . .	35	18
F481567	CARBURETOR INTAKE ADAPTER . . . . .	21	70	F523411	RETAINING RING . . . . .	45	23
F481777	CAM, LATCH SHAFT . . . . .	11	22	F523451	SPACER, REED STOP . . . . .	19	19
F481836	INTAKE GASKET . . . . .	21	62	F523498	DRIVE KEY, WATER PUMP .	47	68
F481836	INTAKE GASKET . . . . .	29	-	F523498	KEY . . . . .	49	-
F481860-1	CARBURETOR, INTAKE . . .	21	69	F523555	GEAR HOUSING COVER SEAL . . . . .	49	-
F483884	BEARING . . . . .	41	41	F523555	SEAL, O-RING, GEAR HOUSING COVER . . . . .	47	49
F485755-1	FUEL TANK ADAPTER . . . . .	51	3	F523562	PLATE, WATER PUMP . . . . .	49	-
F498618	GEAR SHIFT ARM PIN SEAL	49	-	F523562	WATER PUMP BACK PLATE	47	58
F498618	SEAL . . . . .	47	33	F523705	GEAR SHIFT ROD LOWER .	47	46
F498891	PIN, GEAR SHIFT ARM . . . .	47	32	F523813	BEARING CUP . . . . .	47	30
F499026	SWIVEL . . . . .	27	27	F523899	GROMMET, WATERLINE . . .	45	4
F499035	ROD END, CONTROL ROD TO TRIGGER . . . . .	27	32	F523930	RETAINER . . . . .	35	21
F499036	TOWERSHAFT CONTROL ROD END . . . . .	27	26	F523961	CRUSH RING . . . . .	47	50
F499995	CYLINDER HEAD COVER . .	31	73	F525629	COTTER PIN . . . . .	43	1
F500244	INLET WATER LINE (25 INCH MODELS) . . . . .	45	-	F528068	THERMOSTAT (110-F) . . . .	31	80
F500615	ROD, GEAR SHIFT UPPER (25 INCH MODELS) . . . . .	35	-	F529390-1	DECAL, REVERSE LOCK . . .	39	7
F50109	PLUG . . . . .	49	78	F530160	REED (5 PETAL) . . . . .	19	20
F50342-1	BEARING CAGE BOLT SEAL	49	-	F532299	WASHER, PROPELLER SPLINE . . . . .	45	17
F50342-1	SEAL, BEARING CAGE BOLTS . . . . .	45	8	F53504	GROMMET . . . . .	21	67
F506118	PROPELLER SHAFT SEAL .	49	-	F549189	BUSHING, ELECTRIC CABLE	11	12
				F563	TERMINAL BLOCK KIT . . . .	66	-
				F58685-2	CONNECTOR (SHIFT) . . . . .	53	25
				F591843	CABLE (25' REMOTE ELECT. - 10 WIRE) . . . . .	53	-

# PARTS INDEX

Part Number	Description	Pg.	Ref. No.	Part Number	Description	Pg.	Ref. No.
F598387	DECAL, POWER FLOW . . . .	37	47	F5H173	FLUSHING ADAPTER . . . . .	65	-
F5H018	DUAL STEERING CONNECTOR . . . . .	65	-	F5H179	TRAILERING BRACKET (WITH/POWER TRIM) . . . .	43	2
F5H021	EXTENSION CABLE . . . . .	65	-	F5H179	TRAILERING TILT LOCK . . .	66	-
F5H025	ANTI-CORROSION SACRIFICIAL ANODE . . . .	65	-	F5H187	QUART BOTTLES . . . . .	66	-
F5H026-1	FUEL TANK ACC. ITEM (FORCE MODELS) . . . . .	51	2	F5H191	FORCE BLUE ENAMEL . . . .	66	-
F5H028	SENDING UNIT, FUEL TANK	65	-	F5H192	FORCE BLUE ENAMEL . . . .	66	-
F5H030	SWITCH KIT - RUNNING LIGHTS . . . . .	66	-	F5H193	CABLE (7' EXTENSION FOR 10 WIRE REMOTE ELECTRIC CABLE) . . . . .	53	-
F5H031	SWITCH KIT - SPOT LIGHT .	66	-	F5H194	CLEAR COAT ENAMEL . . . .	66	-
F5H032	SWITCH KIT - WIPER . . . . .	66	-	F5H196	POWER TRIM . . . . .	65	-
F5H034	SWITCH KIT - BILGE PUMP .	66	-	F5H196	POWER TRIM UNIT COMPLETE . . . . .	57	-
F5H035	SWITCH KIT - HORN . . . . .	66	-	F5H198	REMOTE CONTROL - SURFACE MOUNT . . . . .	65	-
F5H036	SWITCH KIT - TACHOMETER TRANSFER . . . . .	66	-	F5H198	REMOTE CONTROL COMPLETE - WIRED FOR POWER TRIM . . . . .	55	-
F5H037	CIGAR LIGHTER . . . . .	65	-	F5H211	MAXUM GRAY ENAMEL . . .	66	-
F5H038	IGNITION SWITCH MOUNTING KIT (ACCESSORY ITEM) . . . .	13	22	F5H212	MAXUM GRAY ENAMEL . . .	66	-
F5H039	SWITCH KIT - INSTRUMENT LIGHT . . . . .	66	-	F615475	IGNITION COIL . . . . .	15	46
F5H041	BATTERY TERMINAL KIT . .	65	-	F616675	STARTER BRACKET LOWER	17	11
F5H041	BATTERY TERMINAL KIT (ACCESSORY ITEM) . . . .	15	48	F616955	STARTER COMPLETE. . . . .	17	14
F5H043	BUZZER, HEAT INDICATOR (ACCESSORY ITEM) . . . .	15	50	F629449	THERMOSWITCH . . . . .	13	6
F5H043	OVERHEAT BUZZER . . . . .	65	-	F629449	THERMOSWITCH . . . . .	31	74
F5H044	TILT STOP KIT . . . . .	65	-	F630518	CYLINDER HEAD . . . . .	31	82
F5H073	BUZZER, OVERHEAT (ACCESSORY ITEM) . . . .	53	29	F631061-2	CARBURETOR COMPLETE (TOP) WE 18-1A . . . . .	21	60
F5H077	IGNITION KEY SWITCH . . . .	65	-	F631061-2	CARBURETOR COMPLETE (TOP) WE 18-1A . . . . .	25	-
F5H077	SWITCH (ACCESSORY ITEM) . . . . .	53	21	F631133	MOTOR LEG (25 INCH MODELS) . . . . .	35	-
F5H078	IGNITION KEY SWITCH . . . .	65	-	F631606	CAP, KING PIN (25 INCH MODELS) . . . . .	35	41
F5H078	SWITCH, IGNITION LONG BARREL W/KEYS AND SCREWS . . . . .	13	16	F631707	COVER, STOCK MOUNT LOWER (25 INCH MODELS) . . . . .	37	42
F5H080	TWIN REMOTE CONTROL BOX . . . . .	65	-	F632061-2	CARBURETOR COMPLETE (BOTTOM) WE 18-2A . . . .	21	61A
F5H081	BATTERY CABLE . . . . .	65	-	F632061-2	CARBURETOR COMPLETE (BOTTOM) WE 18-2A . . . .	25	-
F5H094	STEERING LINK KIT . . . . .	35	16	F632061-2	CARBURETOR COMPLETE (MIDDLE) WE 18-2A . . . .	21	61
F5H094	STEERING LINK KIT . . . . .	65	-	F632061-2	CARBURETOR COMPLETE (MIDDLE) WE 18-2A . . . .	25	-
F5H108	STEERING CONNECTOR . .	65	-	F63754	HOSE INTAKE DRAIN . . . .	21	65
F5H115	TRAILERING BRACKET (WITHOUT POWER TRIM)	39	4	F650450	RECTIFIER . . . . .	13	9
F5H115	TRAILERING TILT LOCK . . .	66	-	F653029	TRIGGER ASSY. . . . .	15	58
F5H151	SHOCK ABSORBER KIT . . .	65	-	F653301-1	MODULE . . . . .	15	45
F5H154	SPEEDOMETER FLUSH MOUNT . . . . .	66	-	F653398-1	DECAL, 3 CYL WIRING . . . .	15	71
F5H155	SPEEDOMETER FLUSH MOUNT . . . . .	66	-	F653744	WIRING HARNESS . . . . .	13	14
F5H156	TEMPERATURE GAUGE FLUSH MOUNT . . . . .	65	-	F654618	O-RING . . . . .	59	4
F5H157	VOLTMETER - FLUSH MOUNT . . . . .	65	-	F654924	CHOKE SOLENOID . . . . .	13	36
F5H159	HOURMETER . . . . .	65	-	F654976	CONNECTOR (THROTTLE) . .	53	24
F5H161	POWER TRIM INDICATOR .	65	-	F658758	HOSE, IMPULSE . . . . .	23	20
				F658803	GASKET, SPACER PLATE . .	23	2
				F658836	SPACER, FUEL PUMP . . . .	23	17
				F660141	CONNECTOR (CABLE - REMOTE CONTROL) . . . .	53	15

# PARTS INDEX

Part Number	Description	Pg.	Ref. No.	Part Number	Description	Pg.	Ref. No.
F660165	SCREW (LEVER TO ACTUATOR) . . . . .	53	3	F663756	PACKING . . . . .	11	8
F660189	BUSHING, CABLE ENTRY . .	11	13	F663774-1	BRACKET, ENGINE COVER LATCH . . . . .	11	2
F660253	LINE, LOWER HYDRAULIC TRIM CYLINDER . . . . .	57	15	F663843	CABLE (19' REMOTE ELECT. - 10 WIRE) . . . . .	53	-
F660254	LINE, UPPER HYDRAULIC TRIM CYLINDER . . . . .	57	11	F663984	BLANKET, TOP (NOT SHOWN) . . . . .	3	-
F660273	STUD . . . . .	57	1	F663984	BLANKET, TOP (NOT SHOWN) . . . . .	5	-
F660327	ACTUATOR (ASSEMBLY - REMOTE CONTROL) . . . .	53	14	F663984	BLANKET, TOP (NOT SHOWN) . . . . .	7	-
F660329	LANYARD, STOP SWITCH (CUP TYPE) . . . . .	55	33	F663984	BLANKET, TOP (NOT SHOWN) . . . . .	9	-
F660332	PLUG (WARM-UP BUTTON)	53	4	F663985	BLANKET, SIDE (NOT SHOWN) . . . . .	3	-
F660353	CABLE ACCESSORY . . . . .	53	8	F663985	BLANKET, SIDE (NOT SHOWN) . . . . .	5	-
F660411	RING (RETAINING) . . . . .	53	16	F663985	BLANKET, SIDE (NOT SHOWN) . . . . .	7	-
F660446	CLAMP (REMOTE ELECT. CABLE) . . . . .	53	6	F663985	BLANKET, SIDE (NOT SHOWN) . . . . .	9	-
F660480	SCREW (COVER TO ACTUATOR) . . . . .	53	9	F664384	CLIP, TERMINAL BLOCK COVER . . . . .	15	75
F660497	BLOCK (TERMINAL) . . . . .	53	19	F664497	TERMINAL BLOCK (12 POSITION) . . . . .	15	72
F660504	GROMMET (REMOTE ACCESSORY CABLE) . . .	53	7	F664672	COVER, TERMINAL BLOCK COVER . . . . .	15	76
F660541	PUMP/MOTOR ASSEMBLY .	57	5	F664843	CABLE (22' REMOTE ELECT. - 10 WIRE) . . . . .	53	-
F660595	WASHER (CONTROL MTG. SCREWS) . . . . .	53	11	F665387	DECAL, "US MARINE" . . . . .	3	7
F660602	SWITCH (EMERGENCY STOP) . . . . .	53	2	F665387	DECAL, "US MARINE" . . . . .	5	7
F660611	LEVER W/TRIM SWITCH . . .	53	1	F685387	DECAL, "US MARINE" . . . . .	9	7
F660642	RETAINER (REMOTE CABLE) . . . . .	53	13	F685396-1	DECAL, STARBOARD . . . . .	3	9
F660664	WIRE (IGN. SWITCH TO ACC. TERMINAL BLOCK) .	53	27	F685397-1	DECAL, PORT . . . . .	3	5
F660732	SCREW (CONTROL MOUNTING) . . . . .	53	10	F685528-1	DECAL, REAR . . . . .	3	12
F660751	SCREW (PLATE TO ACTUATOR) . . . . .	53	17	F685681	SCOOP, AIR . . . . .	9	12
F660754	LINE, LOWER HYDRAULIC TILT CYLINDER . . . . .	57	14	F685892-1	DECAL, FRONT . . . . .	3	6
F660758	LINE, UPPER HYDRAULIC TILT CYLINDER . . . . .	57	16	F686660	STAND TUBE . . . . .	35	25
F660843	CABLE (15-1/2' REMOTE ELECT.) . . . . .	53	5	F7004	STOP NUT, 3/18 - 16 . . . . .	27	33
F660908	WIRE, RED . . . . .	57	25	F7008	STOP NUT, 1/4 - 20 . . . . .	19	30
F660911	PLATE (REMOTE CONTROL)	53	18	F7009	LOCK NUT, #10 - 24 . . . . .	27	2
F660917	RELAY, POWER TRIM . . . .	57	22	F7012	LOCKNUT, 1/2 - 20 . . . . .	39	13
F660995	COVER (ASSEMBLY - REMOTE CONTROL) . . . .	53	12	F7012	STOP NUT . . . . .	43	7
F663038	SUPPORT PLATE . . . . .	11	14	F702329	LANYARD, STOP SWITCH (FORK TYPE) . . . . .	55	34
F663095	ALTERNATOR STATOR . . . .	15	59	F7024	STOP NUT, 1/4 - 20 . . . . .	3	1
F663269	HANDLE, TILT . . . . .	3	4	F7024	STOP NUT, 1/4 - 20 . . . . .	5	1
F663269	HANDLE, TILT . . . . .	5	4	F7024	STOP NUT, 1/4 - 20 . . . . .	7	1
F663269	HANDLE, TILT . . . . .	7	4	F7024	STOP NUT, 1/4 - 20 . . . . .	9	1
F663269	HANDLE, TILT . . . . .	9	4	F7053	NUT 5/8 - 18 STOP . . . . .	57	6
F663366	MEDALLION-FORCE . . . . .	3	10	F74305	GEAR HOUSING COVER SEAL . . . . .	49	-
F663366	MEDALLION-FORCE . . . . .	5	10	F74305	SEAL, DRIVESHAFT BEARING CAGE . . . . .	47	51
F663366	MEDALLION-FORCE . . . . .	7	10	F8003	PLAIN WASHER . . . . .	27	39
F663366	MEDALLION-FORCE . . . . .	9	10	F8011	PLAIN WASHER . . . . .	13	39
F663386	DECAL, "85" . . . . .	3	11	F8011	WASHER, #10 . . . . .	57	23
F663386	DECAL, "85" . . . . .	5	11	F8026	PLAIN WASHER . . . . .	21	77
F663480	RETAINER . . . . .	11	10	F8028	PLAIN WASHER . . . . .	15	43
				F8038	PLAIN WASHER . . . . .	27	4

# PARTS INDEX

Part Number	Description	Pg.	Ref. No.	Part Number	Description	Pg.	Ref. No.
F8038	WASHER	35	17	F85117	BRACKET, WATERLINE	45	2
F8056	SPRING LOCKWASHER	13	7	F85130	BOOT, IDLE EXHAUST	35	5
F8058	INTERNAL TOOTH LOCKWASHER	19	29	F85151-1	EXHAUST PORT PLATE	31	91
F8077	WASHER	49	-	F85152-4	EXHAUST PORT COVER	31	89
F8077	WASHER, GEAR HOUSING PLUG	47	43	F85154-1	EXHAUST PORT PLATE GASKET	29	-
F8080	SPRING LOCKWASHER	35	20	F85154-1	GASKET, EXHAUST PORT PLATE	31	90
F8083	LOCKWASHER	11	24	F85159-1	GASKET, INTAKE MANIFOLD	19	24
F8083	LOCKWASHER	23	7	F85159-1	MANIFOLD GASKET	29	-
F8083	LOCKWASHER	49	76	F85161-1	REED STOP	19	18
F8083	SPRING LOCKWASHER	15	63	F85162	REED PLATE ADAPTER	19	23
F8083	SPRING LOCKWASHER	17	13	F85168-1	CARBURETOR ADAPTER FLANGE GASKET	29	-
F8083	SPRING LOCKWASHER	35	2	F85168-1	GASKET REED PLATE ADAPTER	19	22
F8083	SPRING LOCKWASHER	47	54	F85192-1	THROTTLE CAM	19	32
F8083	SPRING LOCKWASHER	49	-	F85210	STUD	27	9
F8088	PLAIN WASHER	13	2	F85211	STUD, REAR	31	85
F8088	PLAIN WASHER	19	55	F85253-1	FUEL LINE	19	46
F8090	PLAIN WASHER	13	28	F85258	INSERT	35	4
F8094	WASHER	11	23	F85279-2	CYLINDER EXHAUST GASKET, UPPER	29	53
F8094	WASHER	41	44	F85279-2	CYLINDER, EXHAUST - UPPER GASKET	29	-
F8095	PLAIN WASHER	27	7	F85300	SPRING, REVERSE LOCK	39	30
F8096	SPRING LOCKWASHER	11	17	F85317-3	CLAMP	19	41
F8096	SPRING LOCKWASHER	11	6	F85350-1	PIVOT, TILT STOP	39	10
F8096	SPRING LOCKWASHER	13	24	F85372	PIN, GEAR SHIFT ROD LOWER	47	48
F8096	SPRING LOCKWASHER	31	101	F8538	SPRING PIN	39	20
F8096	SPRING LOCKWASHER	35	37	F8538	SPRING, PIN	43	14
F8096	SPRING LOCKWASHER	47	40	F85380	SPRING	35	6
F8096	WASHER, 5/16 LOCK	57	2	F85410	SNAP RING	33	8
F8124	EXTERNAL TOOTH LOCKWASHER	13	31	F85426	TILT STOP	41	42
F84011	WASHER	39	6	F85445	ROD, SPARK CONTROL	27	29
F84074	CLAMP SCREW FOOT	39	18	F85472-2	CYLINDER DRAIN COVER GASKET	29	-
F84074	FOOT, CLAMP SCREW	43	12	F85472-2	GASKET, CYLINDER DRAIN COVER	27	41
F84278	CRANKSHAFT BRG. SEAL CAGE SEAL	29	-	F85498-1	FLYWHEEL KEY	33	16
F84286-1	FRICITION WASHER	39	8	F85502	THROTTLE LINK	27	17
F84286-1	FRICITION WASHER	43	22	F85509-1	CHOKE LINK	19	59
F84305	PROPELLER SHAFT SPOOLS SEAL	49	-	F85541-1	TILT LOCK	41	45
F84305	SEAL PROPELLER SHAFT BEARING SPOOL	45	12	F85571	BEARING CAGE W/ROLLER	33	10
F84307-1	DRIVE SHAFT SEAL	49	-	F85606	CAP, KING PIN (20 INCH MODELS)	35	40
F84314-2	ELBOW	27	28	F85610	BEARING	29	60
F84342	SEAL, INLET WATERLINE, UPPER	45	3	F85615-1	ROD, GEAR SHIFT UPPER (20 INCH MODELS)	35	34
F84449	NEUTRAL INTERLOCK SWITCH	13	3	F8563	DOWEL PIN	27	10
F84504	GROMMET	31	79	F85634-2	CONNECTING ROD SCREW	33	14
F84504	THERMOSTAT GROMMET	29	-	F85660-1	EXHAUST TUBE	35	1
F84521-2	CLUTCH	45	27	F85704	COUPLER, GEAR SHIFT ROD	35	36
F84792	GASKET, FUEL PUMP VALVE	23	23	F85748-2	CYLINDER DRAIN REED PLATE GASKET	29	-
F84871-1	PIN, GEAR SHIFT	45	25	F85748-2	GASKET, CYLINDER DRAIN REED PLATE	27	34
F85017	PISTON PIN	33	4	F85762	BY-PASS VALVE GASKET	29	-
F85033	CHOKE ROD SWIVEL	19	37				
F85037-1	BOLT, STERN BRACKET PIVOT	39	40				
F85037-1	BOLT, STERN BRACKET PIVOT	43	27				

# PARTS INDEX

Part Number	Description	Pg.	Ref. No.	Part Number	Description	Pg.	Ref. No.
F85762	GASKET, BY-PASS VALVE	31	94	FA523735	SEAL, INLET WATERLINE, LOWER	47	65
F85772	CLAMP	35	7	FA607689	BEARING TOWERSHAFT LOWER	31	102
F85779-1	BAFFLE, AIR INTAKE	37	46	FA609853	DECAL, WARNING	15	67
F85859	STUD, FORWARD	27	12	FA612754	FUEL LINE, SHORT (BAYLINER MODELS)	51	14
F85906	CARBURETOR GASKET	19	49	FA616497	TERMINAL BLOCK	13	13
F85906	CARBURETOR GASKET	29	-	FA628073	CLAMP SCREW	39	19
F85908-1	LEAD WIRE	17	9	FA628073	CLAMP SCREW	43	13
F85909-1	BEARING LOCATING PIN (PRESSED INTO BLOCK)	33	23	FA630752	FUEL LINE COMPLETE (BAYLINER MODELS)	51	-
F85916-1	BY-PASS VALVE	31	96	FA654015	PISTON ASSEMBLY	59	5
F85925	CHOKE ROD	19	38	FA654055	HEAD ASSEMBLY	59	3
F85965	MOUNT, UPPER SHOCK	35	31	FA658746	COVER, FUEL PUMP	23	1
F9018	CAP	39	39	FA663469	ENGINE COVER LATCH HANDLE W/SHAFT	11	15
F9018	CAP	43	26	FA663744	WIRING HARNESS	57	26
F9052	PLUG	39	21	FA84621-1	COUPLING, GEAR SHIFT ARM W/BUSHING	47	45
F9052	PLUG	43	16	FA84754-1	FUEL LINE SHORT	51	8
F90619-2	YOKE	49	73	FA85018-2	CRANKSHAFT	33	15
F90807	RETAINING RING	21	71	FA85135-4	COVER, FRONT LEG	35	39
F9095	SHIM, DRIVESHAFT BEARING, UPPER .005 - SILVER	47	-	FA85193	TIE BAR END W/SWIVEL	21	72
F9097	SHIM, DRIVESHAFT BEARING, UPPER .010 - BLACK	47	-	FA85355-1	WASHER SET	35	28
F9106	SHIM, DRIVESHAFT BEARING, UPPER .003 - BRASS	47	67	FA85511	THROTTLE TIE BAR W/SWIVEL	21	75
F91446-1	BRACKET	57	27	FA85655-1	CRANKSHAFT MAIN BEARING RACE	33	9
F91446-1	CIRCUIT BREAKER BRACKET	15	41	FC311398	DECAL, FUEL MIXTURE (CANADA) (NOT SHOWN)	51	-
F92759	THROTTLE ROLLER	19	53	FC529398	DECAL, WIRING	31	86
F93811	SCREEN	27	35	FC663054	GEAR HOUSING COMPLETE	49	-
F93920	REED STOP	27	38	FG1020-1	GASKET SET	29	69
F97772	FUEL LINE CLAMP	51	11	FK10125	REPAIR KIT	25	28
F97772	HOSE CLAMP	19	43	FK10209	GASKET KIT	25	15
F98273	ROD END CONNECTOR STUD	29	51	FK1063-2	SEAL KIT	49	74
FA17561-1	O-RING	59	6	FK1069	WATER PUMP KIT	49	75
FA27232	EMERGENCY STARTER ROPE (NOT SHOWN)	13	-	FK1123	SPARKIE KIT	15	54
FA335260	PISTON RINGS (2 PER SET) STANDARD	33	1	FK405020	SWIVEL W/PIVOT SCREW AND NUT	27	24
FA411222	TRANSFER PORT COVER	29	47	FK460917	STARTER RELAY	13	23
FA438113	LOCKBAR W/HANDLE	39	35	FK85228-1	BEARING CAGE W/ROLLER	33	7
FA438431	BODY, FUEL PUMP	23	12	FM684392	DECAL, "BASSTACTICS" (REAR)	9	16
FA438493	BRACKET, TERMINAL BLOCK	13	10	FM685386	DECAL, "85XT"	9	18
FA449015	PISTON	59	14	FM685392	DECAL, "BASSTACTICS" (SIDE)	9	11
FA480876	GEAR SHIFT ARM	29	62	FM685396	DECAL, BOTTOM-STARBOARD	9	9
FA481743	BRACKET, ROLLER LATCH W/ROLLER	11	5	FM685528	DECAL, BOTTOM-REAR	9	17
FA500019	KING PIN (25 INCH MODELS)	39	-	FM685585	DECAL, TOP-REAR	9	19
FA500019	KINGPIN (25 INCH MODELS)	43	-	FM685892	DECAL, BOTTOM-FRONT	9	6
FA523014	CRANKSHAFT LOWER MAIN BEARING	33	12	FM685894	DECAL, TOP-FRONT	9	5
FA523054	GEAR HOUSING W/DRIVESHAFT BEARING LOWER	47	42	FM685915	DECAL, TOP-SIDE	9	14
FA523109	PLUG, GEAR HOUSING	47	44	FO14166	NEEDLE, IDLE	25	23
FA523485	ANTI-CORROSION ANODE	45	21	FO15337	JET (.058)	25	24
				FO15623	BOWL RING GASKET	25	13

# PARTS INDEX

Part Number	Description	Pg.	Ref. No.	Part Number	Description	Pg.	Ref. No.
FPS501	PROPELLER (14 X 13) . . . . .	45	18	FT8918	BEARING GUIDE SET . . . . .	62	-
FPS623	PROPELLER (13 X 17) . . . . .	45	-	FT8919	SPRING PIN PUNCH . . . . .	62	-
FPS625	PROPELLER (13 X 19) . . . . .	45	-	FT8925	SEAL INSTALLER . . . . .	61	-
FS409752	FUEL LINE COMPLETE (FORCE MODELS). . . . .	51	-	FT8925	SEAL INSTALLER . . . . .	62	-
FS631962	SHOCK ABSORBER W/BUSHING . . . . .	43	4	FT8926	RING EXPANDER . . . . .	61	-
FS654381	TRIM CYLINDER COMPLETE	57	17	FT8930-1	FEELER GAUGE SET . . . . .	62	-
FS663358	BRACKET (C.D. - COIL) . . . . .	13	30	FT8933	LIFTING HOOK . . . . .	61	-
FS663712	ENGINE COVER, (WITHOUT PAINT, DECALS OR HARDWARE) . . . . .	3	8	FT8935	SEALANT PRIMER LOC QUIC T . . . . .	64	-
FS663712	ENGINE COVER, (WITHOUT PAINT, DECALS OR HARDWARE) . . . . .	5	8	FT8936-1	SEALANT - 2 CC LOCTITE RETAINING COMPOUND #75 . . . . .	64	-
FS663712	ENGINE COVER, (WITHOUT PAINT, DECALS OR HARDWARE) . . . . .	7	9	FT8948-1	PULLER . . . . .	60	-
FS663712	ENGINE COVER, (WITHOUT PAINT, DECALS OR HARDWARE) . . . . .	9	8	FT8948-1	PULLER . . . . .	62	-
FS85019	KING PIN (20 INCH MODELS)	39	26	FT8950	LEAKAGE TESTER . . . . .	63	-
FS85019	KINGPIN (20 INCH MODELS)	43	23	FT8955	SEALANT - 5 OZ. EC-750 INDUSTRIAL SEALANT . . . . .	64	-
FS85872-1	BRACKET, REMOTE CABLE	29	50	FT8957	SEAL INSTALLER . . . . .	62	-
FSA335260	PISTON RINGS (2 PER SET) .010 OVERSIZE . . . . .	33	-	FT8969	LUBRICANT - 7 OZ. LPS-1 LUBRICANT . . . . .	64	-
FT1082	SNAP RING PLIER . . . . .	61	-	FT8978	TIMING LIGHT . . . . .	60	-
FT11204	BEARING CUP INSTALLER . . . . .	62	-	FT8983	SEALANT - 3 OZ. RTV SEALANT FORM IN PLACE GASKETS . . . . .	64	-
FT11205	BEARING INSTALLER/REMOVER . . . . .	62	-	FT8985	SEAL INSTALLER . . . . .	62	-
FT11207	BEARING CUP REMOVER . . . . .	62	-	FTA11259	MULTIMETER . . . . .	63	-
FT11209	BEARING GUIDE SET . . . . .	62	-	FTA2937-1	TIMING TOOL . . . . .	60	-
FT11260	SPARK TESTER . . . . .	63	-	FTA8997	SHIM TOOL . . . . .	62	-
FT2938-1	CONTINUITY TESTER . . . . .	63	-	FTK8999	TEST WHEEL . . . . .	63	-
FT2951	CIRCUIT TRACER . . . . .	63	-	FX685396	DECAL, STARBOARD . . . . .	5	9
FT2953	SOCKET . . . . .	61	-	FX685397	DECAL, PORT . . . . .	5	5
FT2961	LUBRICANT - RYKON GREASE #2EP . . . . .	64	-	FX685528	DECAL, REAR . . . . .	5	12
FT2962-2	SEALANT - 50 CC LOCTITE H, NON-HARDENING GRADE . . . . .	64	-	FX685892	DECAL, FRONT . . . . .	5	6
FT2963-2	SEALANT - 2 OZ. LOCTITE 271 . . . . .	64	-	FZ685385	DECAL, "85", PORT . . . . .	7	5
FT2987-1	LUBRICANT - ANTI-SEIZE . . . . .	64	-	FZ685386	DECAL, "85", STARBOARD & REAR . . . . .	7	12
FT2990	PISTON PIN TOOL . . . . .	61	-	FZ685396	DECAL, STARBOARD . . . . .	7	11
FT2991	CARBON BRUSH . . . . .	61	-	FZ685397	DECAL, PORT . . . . .	7	6
FT2996	RING COMPRESSOR . . . . .	61	-	FZ685892	DECAL, FRONT . . . . .	7	7
FT2998	TORQUE WRENCH (0-100 LBS./FT.) . . . . .	61	-	22-817789A1	DRAIN FITTING W/METERING CUP . . . . .	21	64
FT2999	TORQUE WRENCH (0-600 LBS./IN.) . . . . .	61	-	22-818103--1	ELBOW . . . . .	19	35
FT3012	SEAL INSTALLER . . . . .	62	-	32-817738A1	FUEL LINE LONG . . . . .	51	10
FT7848	TORQUE ADAPTER . . . . .	62	-	33-818007--1	SPARK PLUG (CHAMPION UL-18-V) . . . . .	31	70
FT8900	HOSE CLAMP PLIERS . . . . .	61	-	37-F694366-1	DECAL, "US MARINE" . . . . .	7	8
FT8901	INDICATOR HOLDER . . . . .	62	-	39-818110A1	PISTON RINGS (2 PER SET) .030 OVERSIZE . . . . .	33	-
FT8902	DIAL INDICATOR . . . . .	62	-	43-817830A2	BEVEL PINION GEAR . . . . .	47	35
FT8903	SEAL INSTALLER . . . . .	61	-	43-818062A3	BEVEL GEAR FROM W/BEARING . . . . .	47	29
FT8907	DRIVER HANDLE . . . . .	61	-	44-817962A2	PROPELLER SHAFT . . . . .	45	24
FT8907	DRIVER HANDLE . . . . .	62	-	45-817961A6	DRIVESHAFT W/BEARING . . . . .	49	-
FT8914	SEAL REMOVER . . . . .	61	-	45-817967A6	DRIVESHAFT W/BEARING . . . . .	49	69
				46-817853A1	WATER PUMP . . . . .	49	-
				46-817853A1	WATER PUMP BODY . . . . .	47	60
				200-817865A1	FLYWHEEL . . . . .	15	61
				597-	US MARINE OUTBOARD GEAR LUBE . . . . .	66	-
				600-818052A4	CONNECTING ROD . . . . .	33	6

# PARTS INDEX

Part Number	Description	Pg.	Ref. No.	Part Number	Description	Pg.	Ref. No.
700-817988A2	PISTON .010 OVERSIZE . . .	33	-				
700-818111A2	PISTON .030 OVERSIZE . . .	33	-				
700-F372015-3	PISTON-STANDARD . . . . .	33	2				
800-817861A7	CYLINDER . . . . .	31	97				
800-817912A9	SHORT BLOCK (NOT SHOWN). . . . .	31	-				
1400-817958A6	BRACKET, STERN . . . . .	39	12				
1400-817958A6	STERN BRACKET . . . . .	43	6				
1600-819197A3	GEAR HOUSING COMPLETE. . . . .	49	-				
F596-	PINT CANS . . . . .	66	-				