



# PARTS CATALOG

## FORCE 1988 125 HP "A" MODELS

### SERIAL NUMBER

125 H.P. (1988)	.....	1251A8A
125 H.P. (1988)	.....	1251X8A
125 H.P. (1988)	.....	1253X8A
125 H.P. (1988)	.....	1254X8A
125 H.P. (1988)	.....	1258F8A
125 H.P. (1988)	.....	1258L8A
125 H.P. (1988)	.....	1258M8A
125 H.P. (1988)	.....	1258T8A
125 H.P. (1988)	.....	1258V8A
125 H.P. (1988)	.....	1258X8A

# TABLE OF CONTENTS:

ACCESSORIES .....	61
ADAPTER AND REED PLATE .....	22
CARBURETOR .....	18
CRANKSHAFT AND PISTON .....	32
ELECTRICAL COMPONENTS .....	12
ENGINE COVER BAYLINER MODELS .....	4
ENGINE COVER CAJUN MODELS .....	8
ENGINE COVER FORCE MODELS .....	2
ENGINE COVER MAXUM MODELS .....	6
FUEL PUMP .....	24
FUEL TANK AND LINE .....	50
GEAR HOUSING .....	40
MOTOR LEG .....	36
PARTS BREAKDOWN TILT CYLINDER, TRIM CYLINDER, MOTOR & PUMP .....	54
PARTS INDEX .....	63
POWER HEAD .....	26
POWER TRIM UNIT .....	52
REMOTE CONTROL .....	46
SPECIAL TOOLS - GEAR HOUSING .....	58
SPECIAL TOOLS - LUBRICANTS AND SEALANTS .....	60
SPECIAL TOOLS - POWER HEAD .....	57
SPECIAL TOOLS - TEST EQUIPMENT .....	59
SPECIAL TOOLS - TUNE-UP .....	56
STARTER .....	16
SUPPORT PLATE .....	10
SWIVEL BRACKET AND STERN BRACKETS MODELS WITH POWER TRIM .....	34

**NOTE:** Indented description indicate that these parts are included in preceeding assembly.

**AR** = As Required

**NSS** = Not Sold Separate

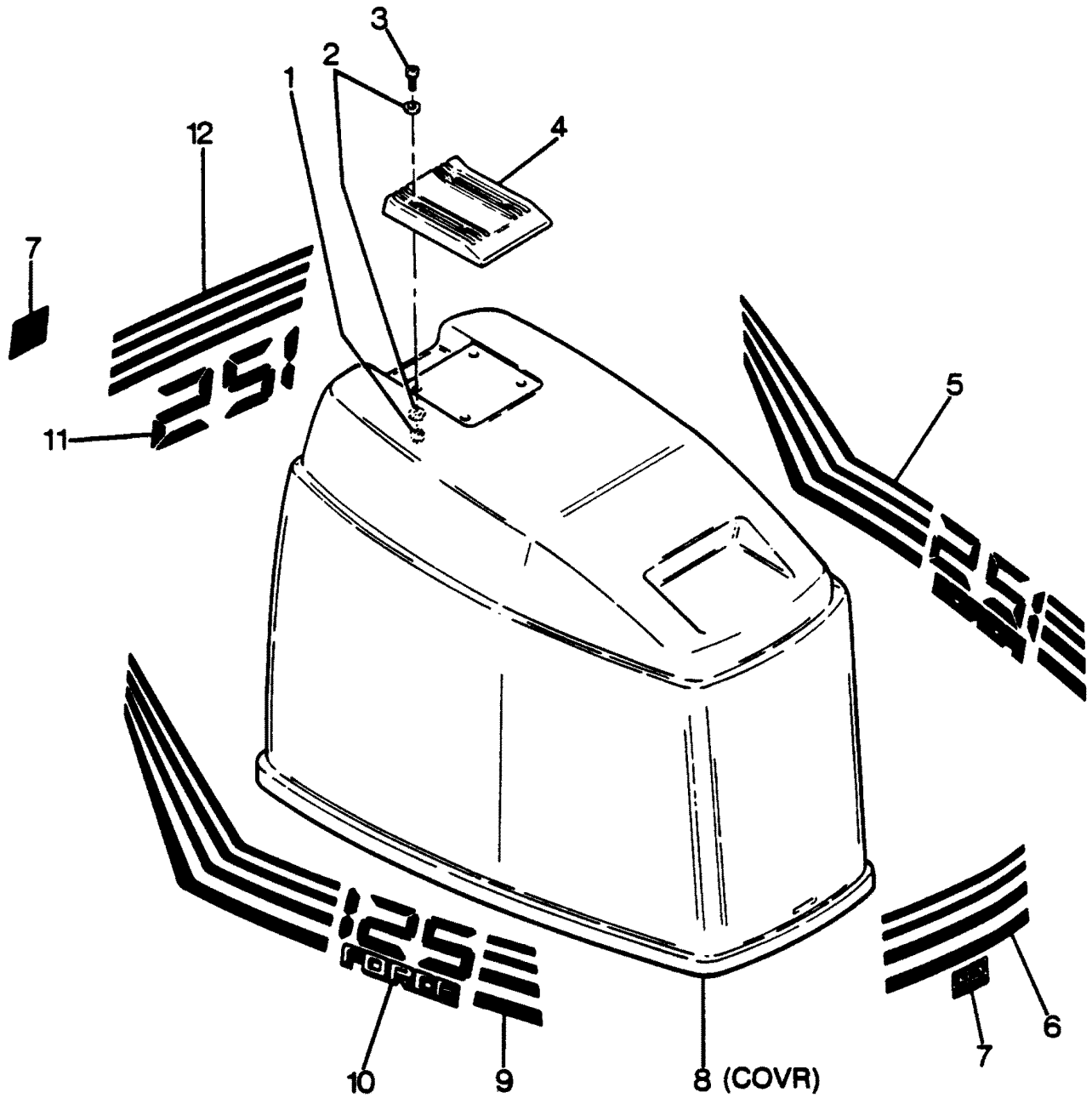
**OPT** = Optional

**NS** = Not Shown

**THESE PARTS BOOKS/FICHE CARD ARE COPYRIGHTED AND MAY NOT BE DISTRIBUTED OR REPRODUCED IN ANY OTHER FORMAT BY ANYONE OTHER THAN MERCURY MARINE WITHOUT THE PRIOR WRITTEN CONSENT OF MERCURY MARINE.**

THIS PAGE INTENTIONALLY LEFT BLANK

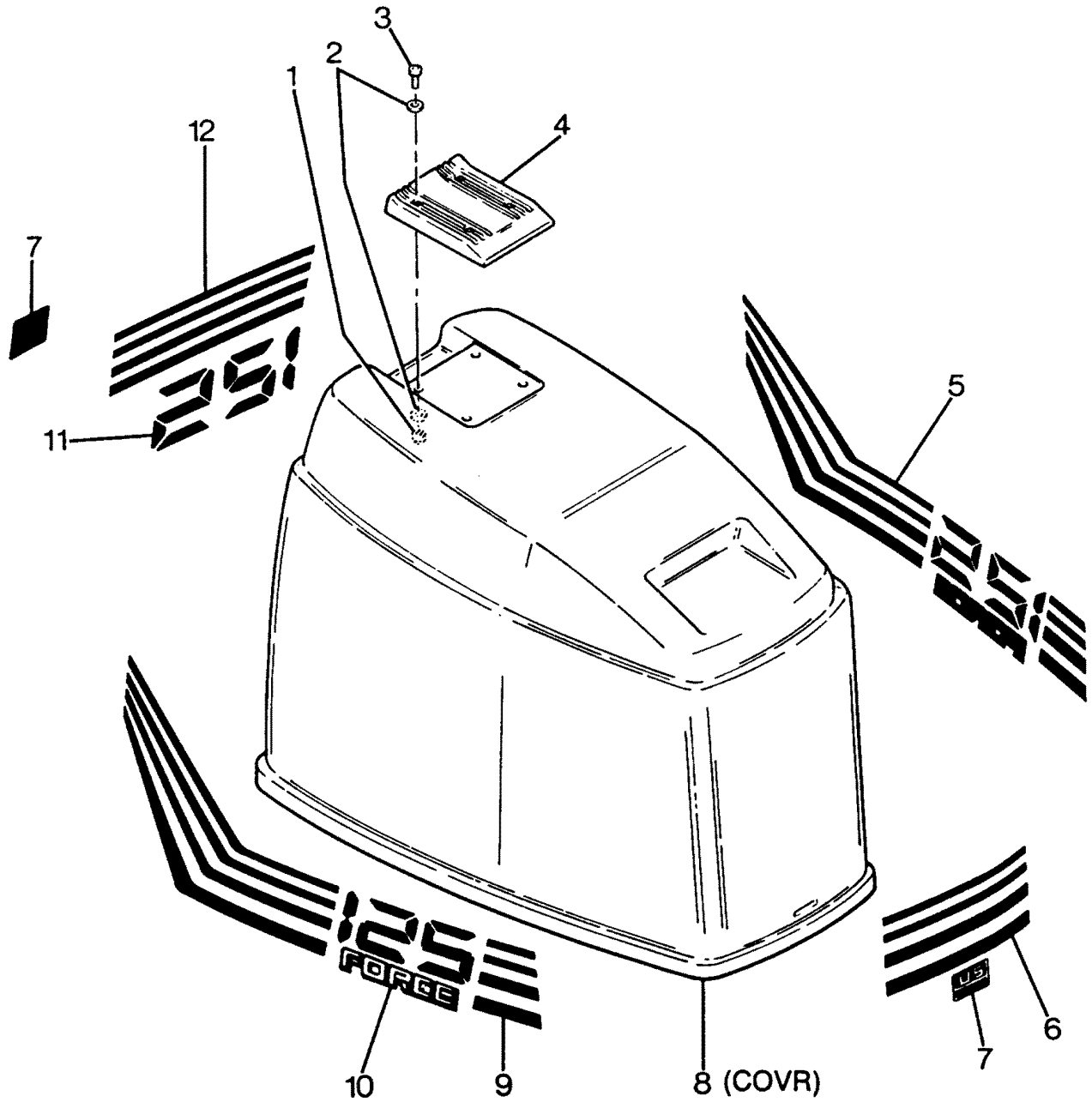
# ENGINE COVER FORCE MODELS



## ENGINE COVER FORCE MODELS

REF. NO.	PART NO.	SYM.	QTY.	DESCRIPTION
1	F7024		4	STOP NUT, 1/4 - 20
2	F2012		8	WASHER
3	F2143		4	HEX SOC. HD. SCREW, 1/4 - 20 X 1 S.S.
4	F663269		1	HANDLE, TILT
5	F686397		1	DECAL, PORT
6	F685892-1		1	DECAL, FRONT
7	F665387		2	DECAL, "US MARINE"
8	FS664712		1	ENGINE COVER, (WITHOUT PAINT, DECALS OR HARDWARE)
-	<b>F2C686712</b>		<b>1</b>	<b>(ENGINE COVER, COMPLETE</b>
9	F686396		1	DECAL, STARBOARD
10	F663366		2	MEDALLION-FORCE
11	F664386		1	DECAL, "125"
12	F685528-1		1	DECAL, REAR
-	<b>F663984</b>		<b>1</b>	<b>BLANKET, TOP (NOT SHOWN)</b>
-	<b>F664985</b>		<b>2</b>	<b>BLANKET, SIDE (NOT SHOWN)</b>

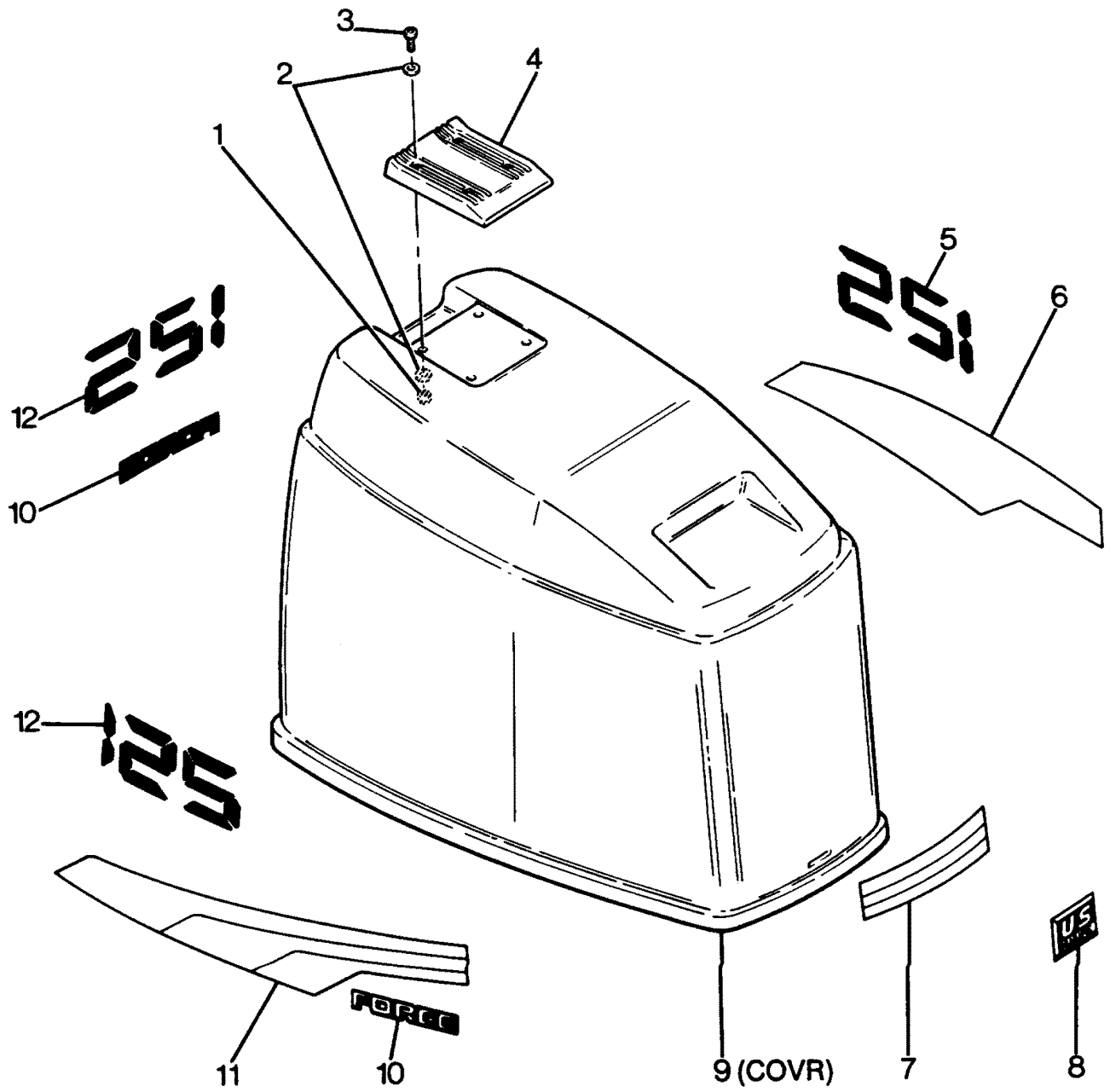
# ENGINE COVER BAYLINER MODELS



## ENGINE COVER BAYLINER MODELS

REF. NO.	PART NO.	SYM.	QTY.	DESCRIPTION
1	F7024		4	STOP NUT, 1/4 - 20
2	F2012		8	WASHER
3	F2143		4	HEX SOC. HD. SCREW, 1/4 - 20 X 1 S.S.
4	F663269		1	HANDLE, TILT
5	FX686397		1	DECAL, PORT
6	FX685892		1	DECAL, FRONT
7	F665387		2	DECAL, "US MARINE"
8	FS664712		1	ENGINE COVER, (WITHOUT PAINT, DECALS OR HARDWARE)
-	<b>F2C686712</b>		<b>1</b>	<b>ENGINE COVER, COMPLETE</b>
9	FX686396		1	DECAL, STARBOARD
10	F663366		2	MEDALLION-FORCE
11	F664386		1	DECAL, "125"
12	FX685528		1	DECAL, REAR
-	<b>F663984</b>		<b>1</b>	<b>BLANKET, TOP (NOT SHOWN)</b>
-	<b>F664985</b>		<b>2</b>	<b>BLANKET, SIDE (NOT SHOWN)</b>

# ENGINE COVER MAXUM MODELS

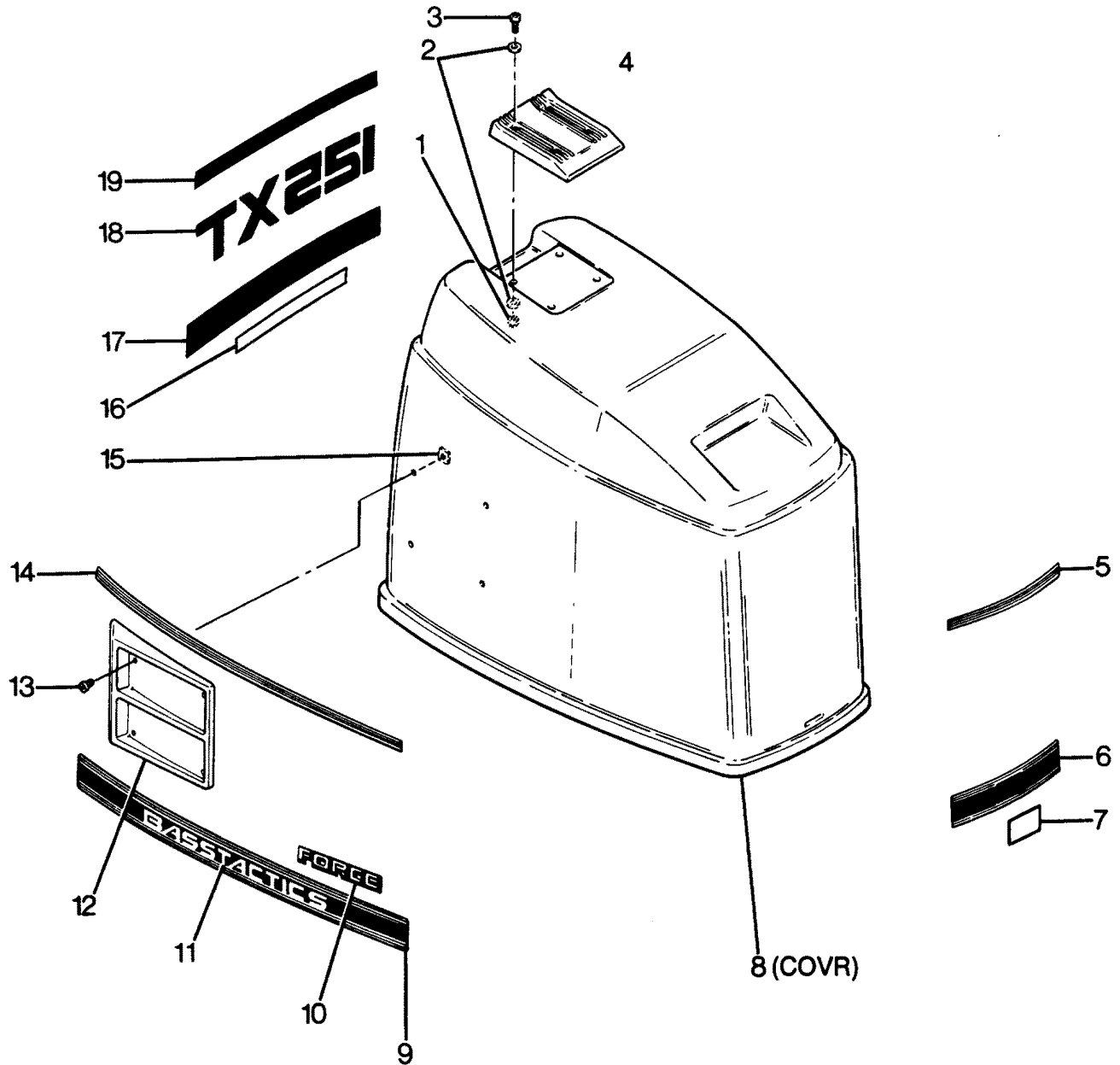




## ENGINE COVER MAXUM MODELS

REF. NO.	PART NO.	SYM.	QTY.	DESCRIPTION
1	F7024		4	STOP NUT, 1/4 - 20
2	F2012		8	WASHER
3	F2143		4	HEX SOC. HD. SCREW, 1/4 - 20 X 1 S.S.
4	F663269		1	HANDLE, TILT
5	FZ686385		1	DECAL, "125", PORT
6	FZ685397		1	DECAL, PORT
7	FZ685892		1	DECAL, FRONT
8	37-F694366-1		2	DECAL, "US MARINE"
9	FS664712		1	ENGINE COVER, (WITHOUT PAINT, DECALS OR HARDWARE)
-	<b>F2C686712</b>		<b>1</b>	<b>ENGINE COVER, COMPLETE</b>
10	F663366		3	MEDALLION-FORCE
11	FZ685396		1	DECAL, STARBOARD
12	FZ686386		2	DECAL, "125", STARBOARD & REAR
-	<b>F663984</b>		<b>1</b>	<b>BLANKET, TOP (NOT SHOWN)</b>
-	<b>F664985</b>		<b>2</b>	<b>BLANKET, SIDE (NOT SHOWN)</b>

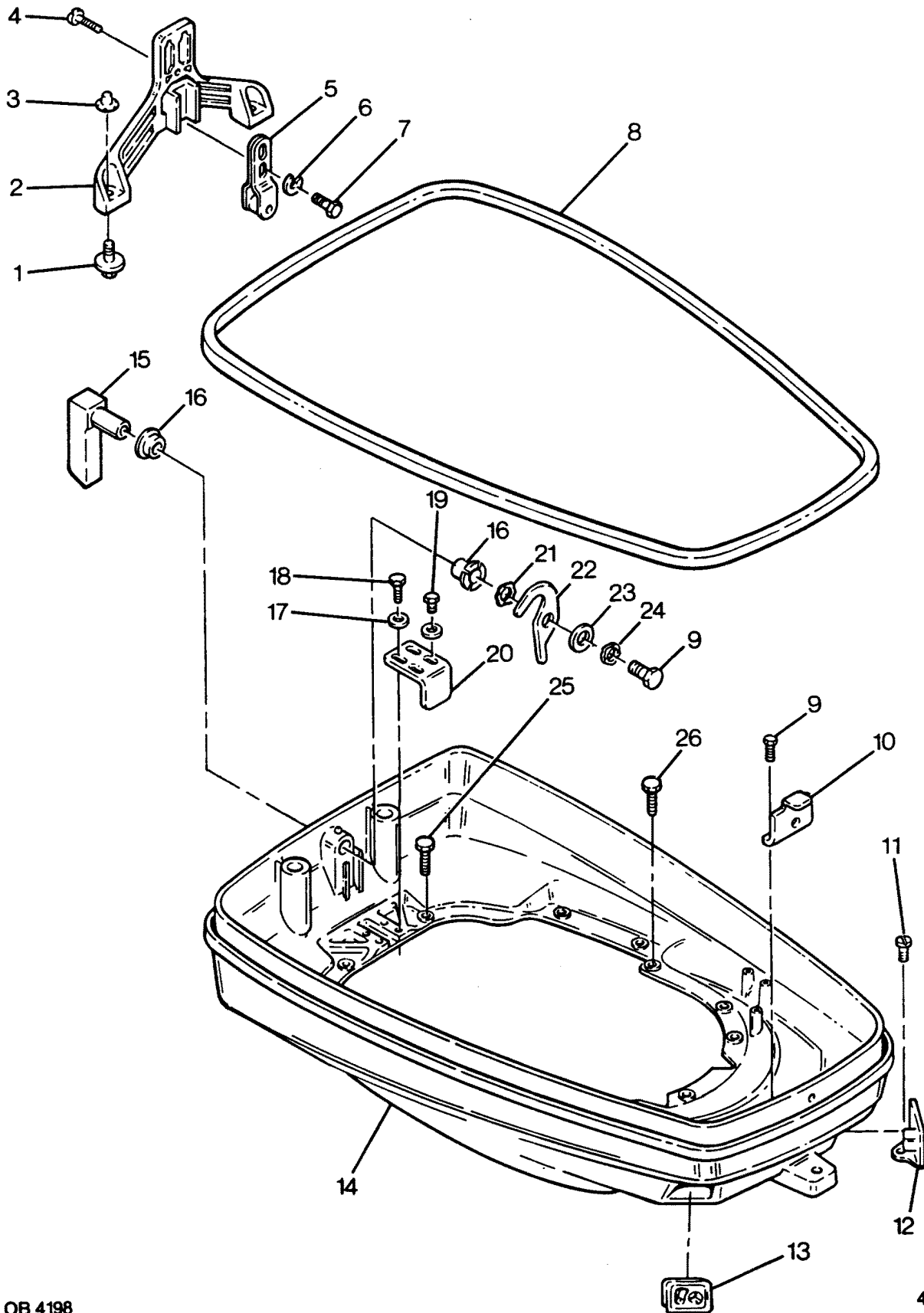
# ENGINE COVER CAJUN MODELS



## ENGINE COVER CAJUN MODELS

REF. NO.	PART NO.	SYM.	QTY.	DESCRIPTION
1	F7024		4	STOP NUT, 1/4 - 20
2	F2012		8	WASHER
3	F2143		4	HEX SOC. HD. SCREW, 1/4 - 20 X 1 S.S.
4	F663269		1	HANDLE, TILT
5	FM685894		1	DECAL, TOP-FRONT
6	FM685892		1	DECAL, BOTTOM-FRONT
7	F685387		1	DECAL, "US MARINE"
8	FS664712		1	ENGINE COVER, (WITHOUT PAINT, DECALS, OR HARDWARE)
-	<b>F2C686712</b>		<b>1</b>	<b>ENGINE COVER, COMPLETE</b>
9	FM685396		1	DECAL, BOTTOM-STARBOARD
10	F663366		2	MEDALLION-FORCE
11	FM685392		2	DECAL, "BASSTACTICS" (SIDE)
12	F685681		2	SCOOP, AIR
13	F2216		8	HEX SOC. HD. SCREW, 8-32 X 1/2 S.S.
14	FM685915		2	DECAL, TOP-SIDE
15	F1693		8	TINNERMAN NUT, 8-32
16	FM684392		1	DECAL, "BASSTACTICS" (REAR)
17	FM685528		1	DECAL, BOTTOM-REAR
18	FM686386		1	DECAL, "125XT"
19	FM685585		1	DECAL, TOP-REAR
-	<b>F663984</b>		<b>1</b>	<b>BLANKET, TOP (NOT SHOWN)</b>
-	<b>F664985</b>		<b>2</b>	<b>BLANKET, SIDE (NOT SHOWN)</b>

# SUPPORT PLATE



OB 4198

41980-0X

# SUPPORT PLATE

REF. NO.	PART NO.	SYM.	QTY.	DESCRIPTION
1	F481434		2	GUIDE, ENGINE COVER
2	F663774-1		1	BRACKET, ENGINE COVER LATCH
3	F2088		2	FASTENER
4	F1493		3	PAN HD. SCREW, 5/16 - 18 X 5/8 S.S.
5	FA481743		1	BRACKET, ROLLER LATCH W/ROLLER
6	F8096		2	SPRING LOCKWASHER
7	F1857		2	HEX CAP SCREW, 5/16 - 18 X 5/8
8	F663756		1	PACKING
9	F1854		3	HEX CAP SCREW, 1/4 - 20 X 5/8
10	F663480		1	RETAINER
11	F1733		3	PAN HD. SCREW, 10-24 X 9/16
12	F549189		1	BUSHING, ELECTRIC CABLE
13	F660189		1	BUSHING, CABLE ENTRY
14	F663038		1	SUPPORT PLATE
15	FA663469		1	ENGINE COVER LATCH HANDLE W/SHAFT
16	F286818		2	BEARING, LATCH SHAFT
17	F8096		4	SPRING LOCKWASHER
18	F1857		2	HEX CAP SCREW, 5/16 - 18 X 5/8
19	F1858		2	HEX CAP SCREW, 5/16 - 18 X 1
20	F335654-1		1	DEFLECTION STOP
21	F2047		1	WAVE WASHER
22	F481777		1	CAM, LATCH SHAFT
23	F8094		1	WASHER
24	F8083		1	LOCKWASHER
25	F1203		6	HEX CAP SCREW, 1/4 - 20 X 7/8
26	F1238		7	HEX CAP SCREW, 1/4 - 20 X 3/4

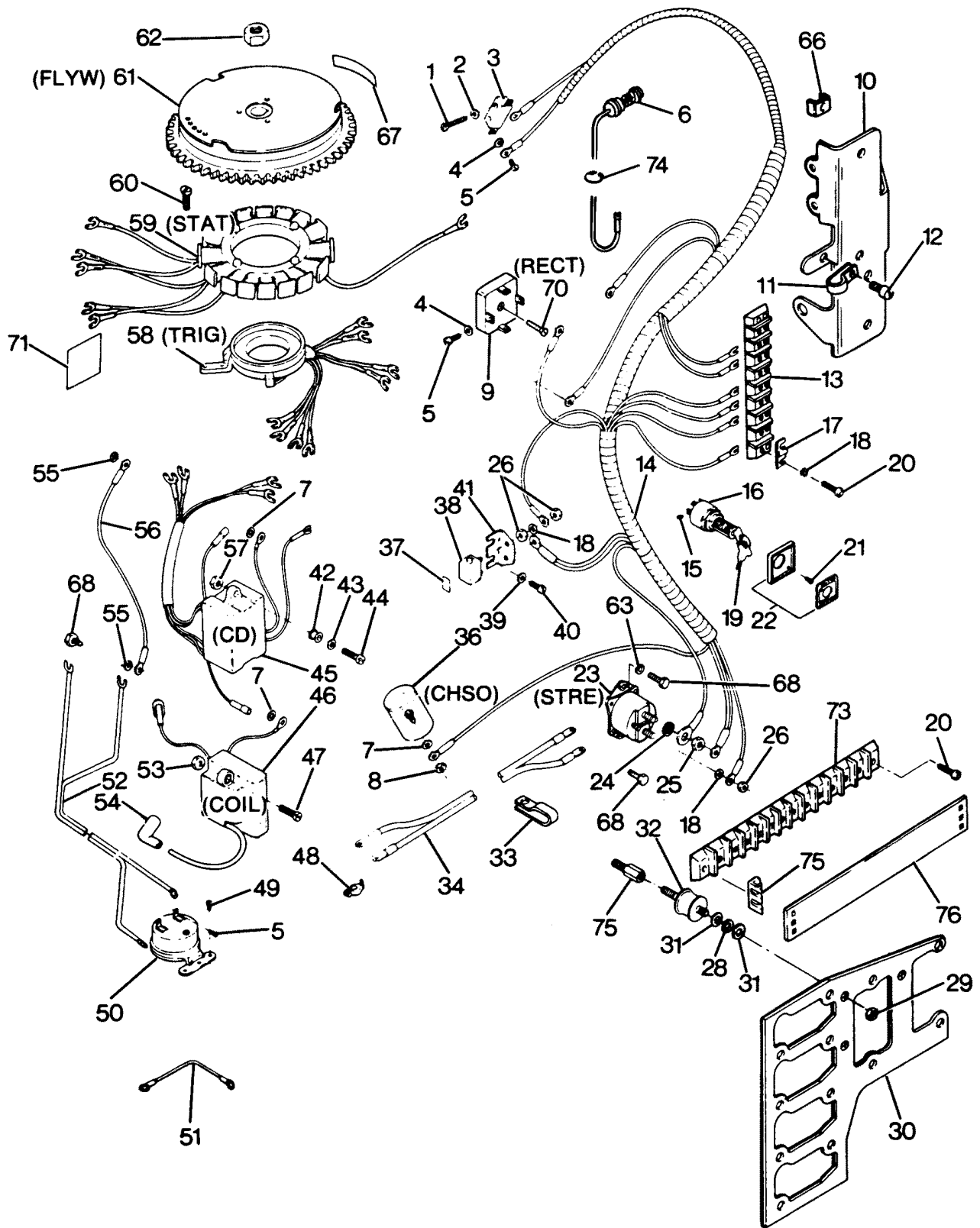


# ELECTRICAL COMPONENTS

REF. NO.	PART NO.	SYM.	QTY.	DESCRIPTION
1	F2016		2	SLOTTED FILL HD SCREW, 6 - 32 X 7/8
2	F8088		2	PLAIN WASHER
3	F84449		1	NEUTRAL INTERLOCK SWITCH
4	F1704		6	INTERNAL TOOTH LOCKWASHER
5	F1645		8	RD HD SCREW, 6 - 32 X 1/4
6	F629449		1	THERMOSWITCH
7	F8056		2	SPRING LOCKWASHER
8	F1647		2	HEX NUT, 8 - 32
9	F650450		1	RECTIFIER <b>WILLUS. 4, 5, 70 AND LITERATURE</b>
10	FA439493		1	BRACKET, TERMINAL BLOCK <b>WILLUS. 12 &amp; 66</b>
11	F289446-1		1	CLAMP, REMOTE ELEC. CABLE TO BRACKET
12	F1734		2	FILL HD. SCREW, 1/4 - 20 X 1/2
13	FA616497		1	TERMINAL BLOCK <b>WILLUS. 17 &amp; 20</b>
14	F653744		1	WIRING HARNESS
15	F1280		6	SLOTTED PAN HD SCREW, 8 - 32 X 1/4
16	F5H078		1	SWITCH, IGNITION , LONG BARREL W/KEYS AND SCREWS <b>(ACCESSORY ITEM)</b>
17	F307317		7	CLIP, TERMINAL BLOCK GROUND
18	F1975		6	LOCKWASHER
19	817782--1		0	KEY IGNITION - NO LETTER OR STAMPED A
-	<b>817883--1</b>		<b>0</b>	<b>KEY IGNITION - STAMPED B</b>
-	<b>817891--1</b>		<b>0</b>	<b>KEY IGNITION - STAMPED C</b>
-	<b>817928--1</b>		<b>0</b>	<b>KEY IGNITION - STAMPED D</b>
-	<b>817929--1</b>		<b>0</b>	<b>KEY IGNITION - STAMPED E</b>
-	<b>FA27232</b>		<b>1</b>	<b>EMERGENCY STARTER ROPE (NOT SHOWN)</b>
20	F1648		2	PAN HD SCREW, 10 - 24 X 3/4
21	F1934		4	FLAT HD SCREW, 6 X 1/2
22	F5H038		1	IGNITION SWITCH MOUNTING KIT
23	FK460917		1	STARTER RELAY <b>WILLUS. 63, 68 AND LITERATURE</b>
24	F8096		2	SPRING LOCKWASHER
25	F1515		2	HEX NUT, S.S., 5-16 - 18
26	F1513		6	HEX NUT, 10 - 32
28	F8090		3	PLAIN WASHER
29	F1515		3	HEX NUT, 5/16 - 18
30	FS664358		1	BRACKET (C.D. - COIL)
31	F8124		3	PLAIN WASHER
32	F215962		3	MOUNT (SHOCK - C.D. UNIT)
33	F407446		1	CLAMP
34	F381896-4		1	BATTERY CABLE
36	F654924		1	CHOKE SOLENOID
37	F510374-1		1	DECAL, CIRCUIT BREAKER
38	F510460		1	CIRCUIT BREAKER
39	F8011		2	PLAIN WASHER

CONTINUED ON NEXT PAGE ➡

# ELECTRICAL COMPONENTS

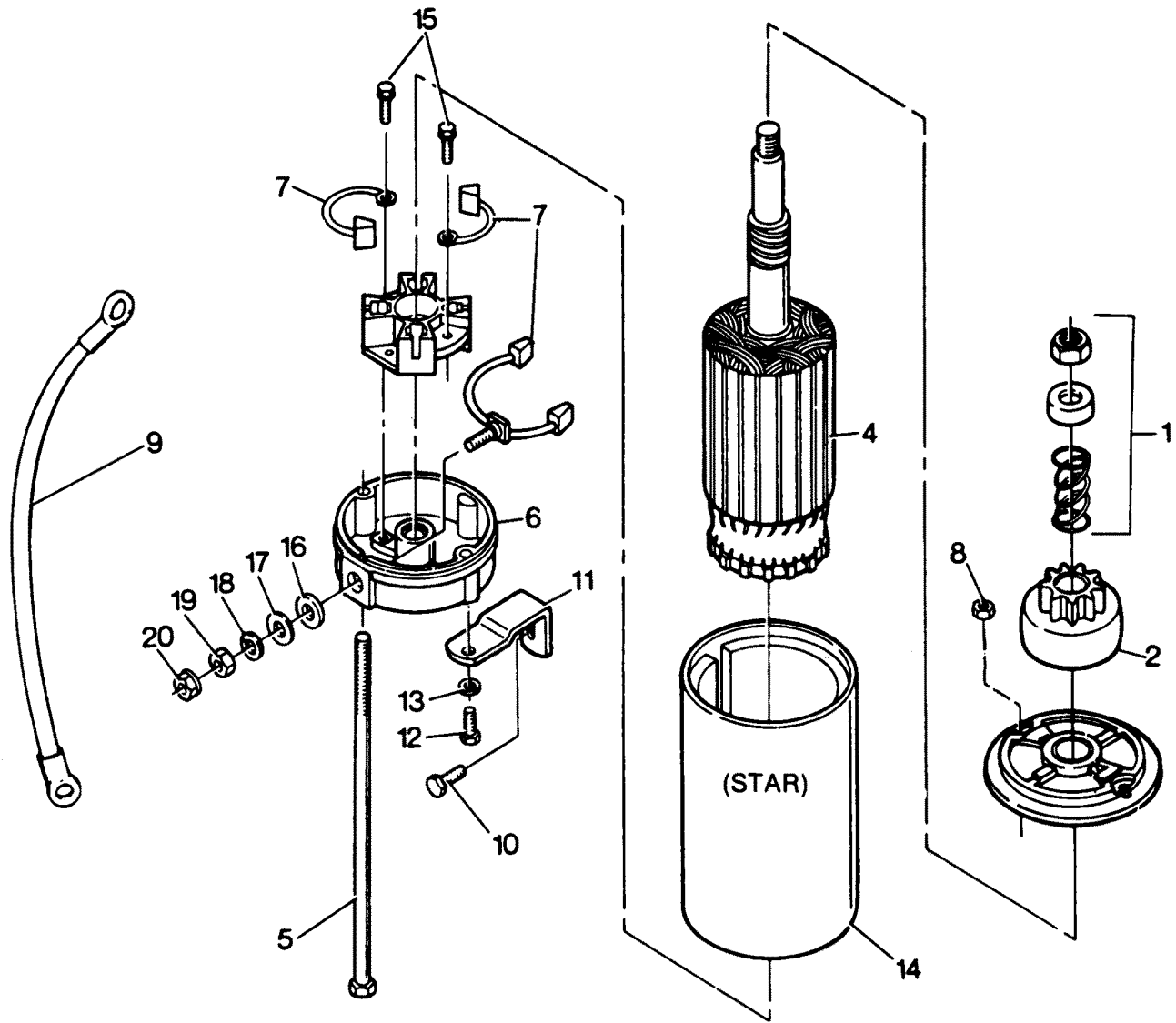




# ELECTRICAL COMPONENTS

REF. NO.	PART NO.	SYM.	QTY.	DESCRIPTION
40	F1760		2	SLOTTED PAN HD SCREW, 10 - 24 X 3/8
41	F91446-1		1	CIRCUIT BREAKER BRACKET
42	F475504		4	GROMMET
43	F8028		4	PLAIN WASHER
44	F2008		4	HEX HD. M. SC., 1/4 - 20 X 7/8
45	F653301-1		2	MODULE
46	F615475		4	IGNITION COIL
47	F2008		6	SLOTTED PAN HD SCREW 1/4 - 20 X 7/8
48	F5H041		1	BATTERY TERMINAL KIT (ACCESSORY ITEM)
49	F1741		2	PAN HD SCREW, 8 X 3/4
50	F5H043		1	BUZZER, HEAT INDICATOR
51	F345683		1	WIRE, GROUND (RECTIFIER TO STARTER BOLT)
52	F404841		1	CABLE, HEAT INDICATOR
53	F1341		6	NUT, 1/4 - 20
54	FK1123		4	SPARKIE KIT
55	F2106		2	LOCKWASHER
56	F319908		1	WIRE, GROUND (C.D. - COIL BRACKET)
57	F1832		4	NUT, LOCK 1/4 - 20
58	F654029		1	TRIGGER ASSY.
59	F663095		1	ALTERNATOR STATOR
60	F1550		4	SLOTTED PAN HD. SCREW #12 - 24 X 1
61	200-817865A1		1	FLYWHEEL <b>W/ILLUS. 67 ORIGINAL FORCE P/N A 615097-1</b>
62	F1968		1	HEX NUT, 3/4 - 16
63	F8083		1	SPRING LOCKWASHER
64	F1877		1	TY-RAP (NOT SHOWN)
66	F438668		1	RETAINER
67	FA609853		1	DECAL, WARNING <b>W/LITERATURE</b>
68	F1705		3	HEX WASHER HD. M SCREW 1/4 - 20 X 3/4
70	F1303		1	PAN HD SCREW, 8 - 32 X 3/4
71	F654398		1	DECAL, 4 CYL. WIRING
72	F664384		2	CLIP, TERMINAL BLOCK COVER
73	F654497		1	TERMINAL BLOCK (12 POSITION)
74	F428096		1	RETAINER, THERMOSWITCH
75	F322273		1	STUD
76	F664672		1	COVER, TERMINAL BLOCK

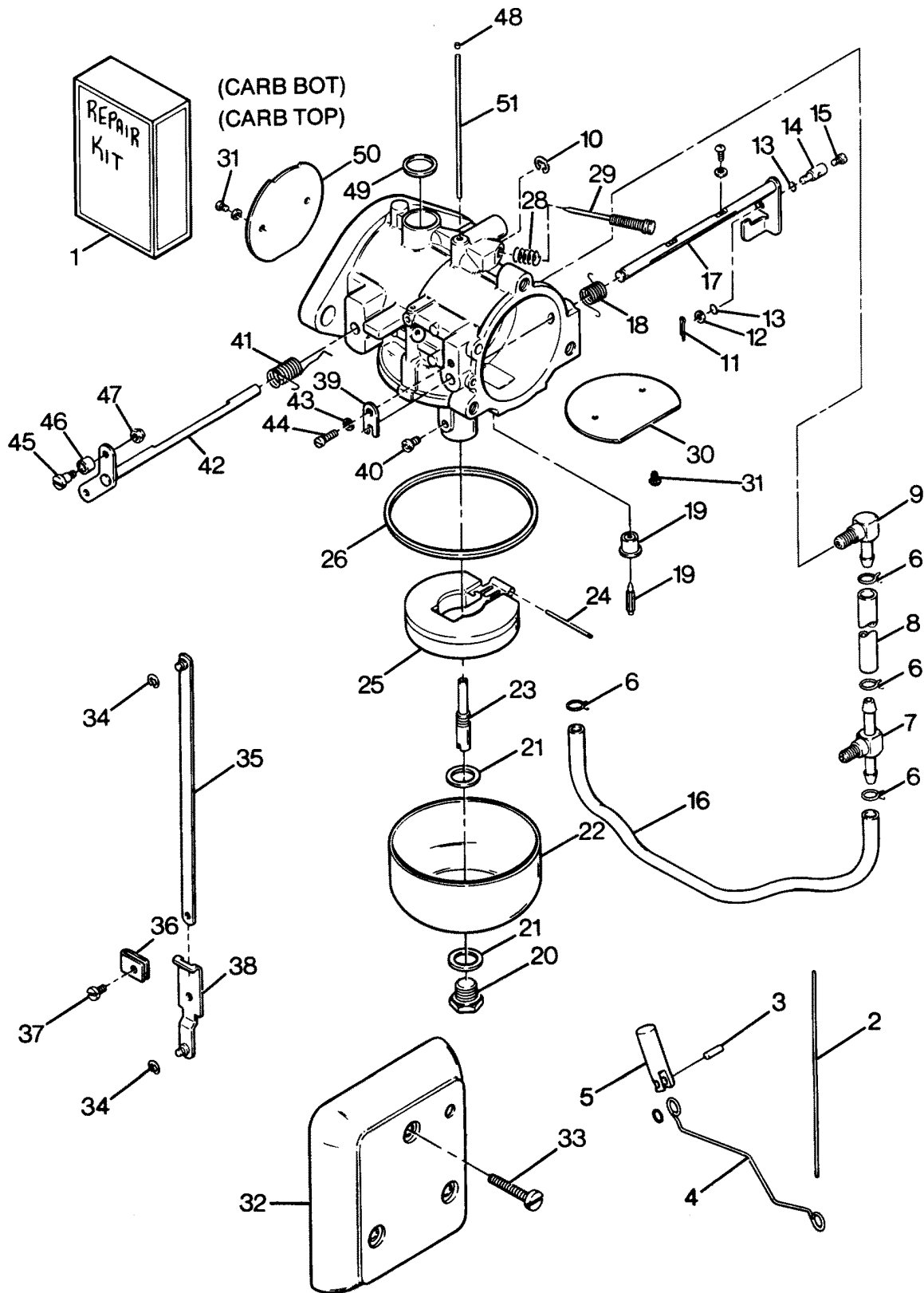
# STARTER



# STARTER

REF. NO.	PART NO.	SYM.	QTY.	DESCRIPTION
1	F15174		1	DRIVE KIT
2	F15175		1	DRIVE ASSEMBLY PINION
3	F15176		1	CAP STARTER DRIVE
4	F15177		1	ARMATURE
5	F15178		1	THRU BOLT PACKAGE
6	F15179		1	COMMUTATOR
7	F15164		1	BRUSH KIT
8	F1641		2	LOCK NUT
9	F85908-1		1	LEAD WIRE
10	F1922		1	HEX CAP SCREW, 1/4 - 20 X 5/8
11	F616675		1	STARTER BRACKET LOWER
12	F1854		1	HEX HD. CAP SCREW, 1/4 - 20 X 5/8
13	F8083		1	SPRING LOCKWASHER
14	F616955		1	STARTER COMPLETE. <b>INCLUDES ALL ITEMS MARKED WITH AN ASTERISK (*).</b>
15	F15158		1	SCREW, BRUSH HOLDER
16	F15160		1	INSULATOR WASHER
17	F15161		1	PLAIN WASHER
18	F15152		1	LOCKWASHER
19	F1341		1	NUT
20	F15162		1	NUT

# CARBURETOR

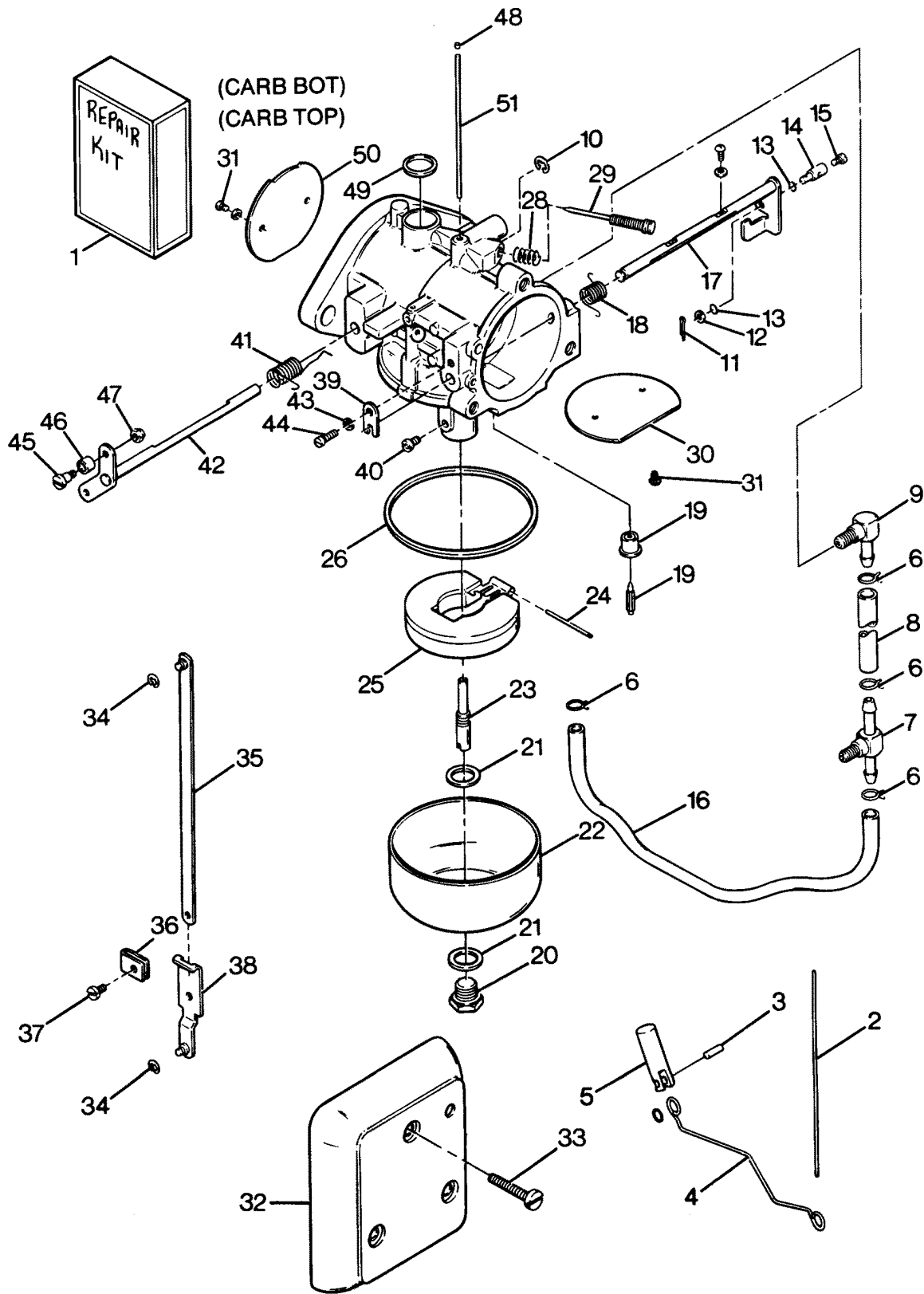


# CARBURETOR

REF. NO.	PART NO.	SYM.	QTY.	DESCRIPTION
1	FK10103		1	REPAIR PARTS KIT.
2	F85509-1		1	LINK, CHOKE
3	F2033		1	GROOVE PIN
4	F440925		1	CHOKE ROD
5	F391926-1		1	PLUNGER
6	F97772		4	CLAMP
7	F85314-1		1	FUEL FITTING - BOTTOM CARBURETOR
8	F178754-1		1	FUEL LINE
9	F84314-2		1	ELBOW - TOP CARBURETOR
10	FO16620		1	E-RING
11	F1014		2	COTTER PIN
12	F8088		3	PLAIN WASHER
13	F184579		5	O-RING SEAL
14	F184033-1		1	SWIVEL, TOP CARBURETOR
15	F1059		2	FILL HD SCREW, 6 - 32 X 1/4
16	F438754		1	FUEL LINE
17	FO16301		1	CHOCK SHAFT AND LEVER
18	FO17885		1	CHOKE SHAFT RETURN SPRING
19	FK10107		1	INLET NEEDLE AND SEAT <b>W/LITERATURE</b>
20	FO16132		1	FUEL BOWL RETAINING SCREW
21	FO5323		2	FUEL BOWL RETAINING SCREW GASKET
-	<b>F85033</b>		<b>1</b>	<b>SWIVEL, CHOKE ROD (BOTTOM CARBURETOR) (NOT SHOWN)</b>
-	<b>FK10023</b>		<b>1</b>	<b>GASKET SET.</b>
22	FO16130		1	FUEL BOWL
23	FO16133		1	MAIN NOZZLE
24	FO13944		1	FLOAT LEVER PIN
25	FO13554		1	FLOAT
26	FO15623		1	FUEL BOWL GASKET
27	F664061		1	CARBURETOR COMPLETE (BOTTOM)
-	<b>F589061-1</b>		<b>1</b>	<b>CARBURETOR COMPLETE (TOP)</b>
28	FO11103		1	IDLE MIXTURE SCREW SPRING
29	FO14166		1	IDEL MIXTURE SCREW
30	FO17719		1	CHOKE, SHUTTER
31	FO8942		4	CHOKE AND THROTTLE SHUTTER SCREW
32	F511708-1		2	COVER, CARBURETOR
33	F1034		6	PAN HD. SCREW, 1/4 - 20 X 1-3/8
34	F90807		2	RETAINING RING
35	FA178233		1	THROTTLE TIE BAR W/SWIVEL
36	F1693		1	TIE BAR RETAINER NUT
37	F1064		1	FILL HD. SCREW, 8 - 32 X 3/8
38	FA85193		1	TIE BAR END W/SWIVEL
39	FO9678		1	CLIP, CHOKE SHAFT

CONTINUED ON NEXT PAGE ➡

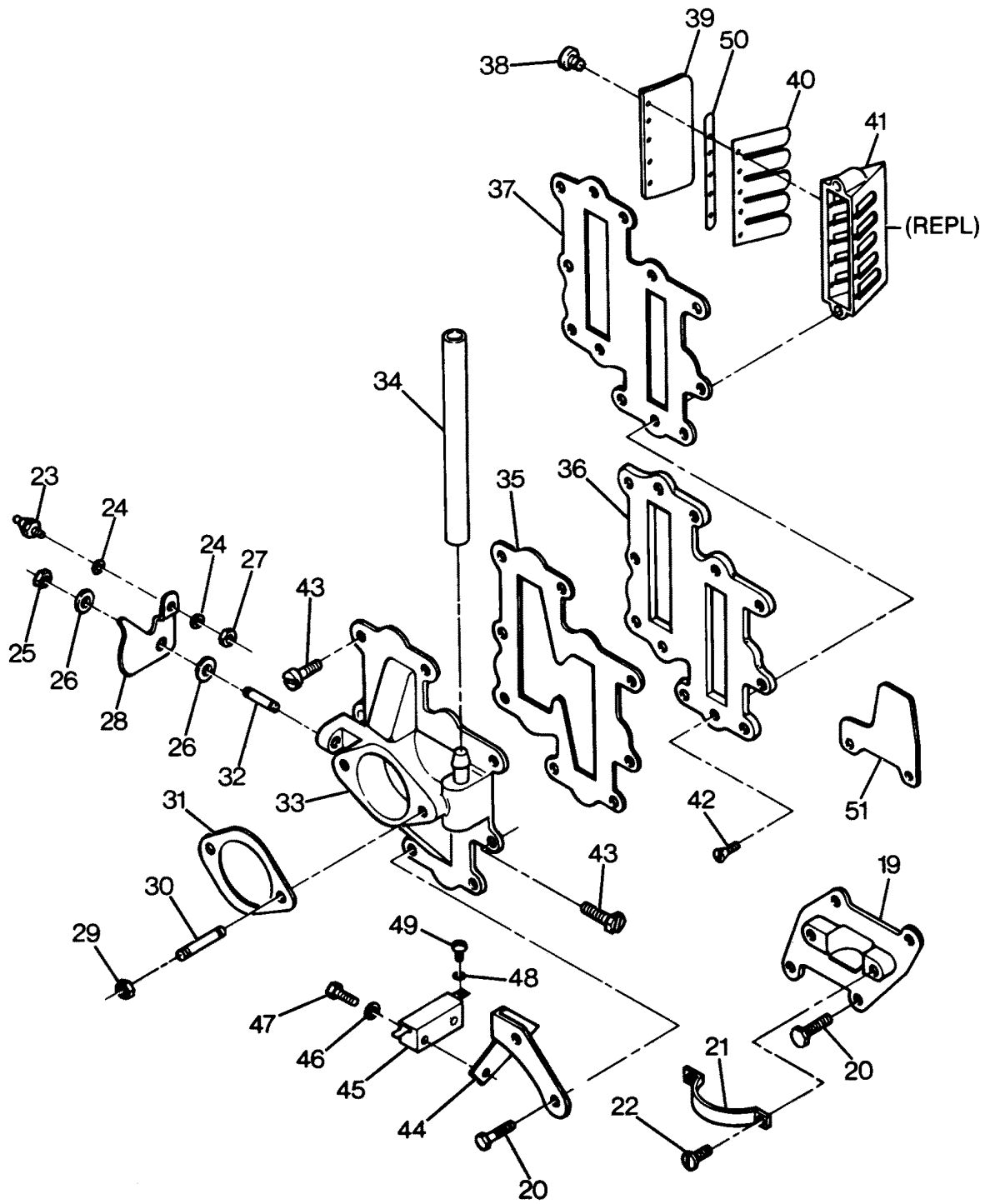
# CARBURETOR



# CARBURETOR

REF. NO.	PART NO.	SYM.	QTY.	DESCRIPTION
40	FO14191		1	MAIN FUEL JET STD. .0937 SEA LEVEL - 1500 FT. (BOTTOM CARBURETOR)
-	FO18010		1	MAIN FUEL JET STD. .101 SEA LEVEL - 1500 FT. (TOP CARBURETOR)
-	FO14190		-	MAIN FUEL JET OPT. .092 1500 - 3000 FT.
-	FO15406		-	MAIN FUEL JET OPT. .090 3000 - 4500 FT.
-	FO13193		-	MAIN FUEL JET OPT. .088 4500 - 6000 FT.
-	FO13949		-	MAIN FUEL JET OPT. .086 600 FT. & UP
41	FO16143		1	THROTTLE SHAFT RETURN SPRING
42	FO17884		1	THROTTLE SHAFT AND LEVER
43	FO992		1	LOCKWASHER
44	FO1974		1	SCREW
45	F333316		1	THROTTLE ROLLER SHAFT
46	F92759		1	THROTTLE ROLLER
47	F1997		1	STOP NUT, 8 - 32
48	FO10588		4	BODY CHANNEL CUP PLUG
49	FO16128		1	BODY CHANNEL WELCH PLUG
50	FO16142		1	THROTTLE SHUTTER
51	FO16993		1	BY PASS TUBE

# ADAPTER AND REED PLATE

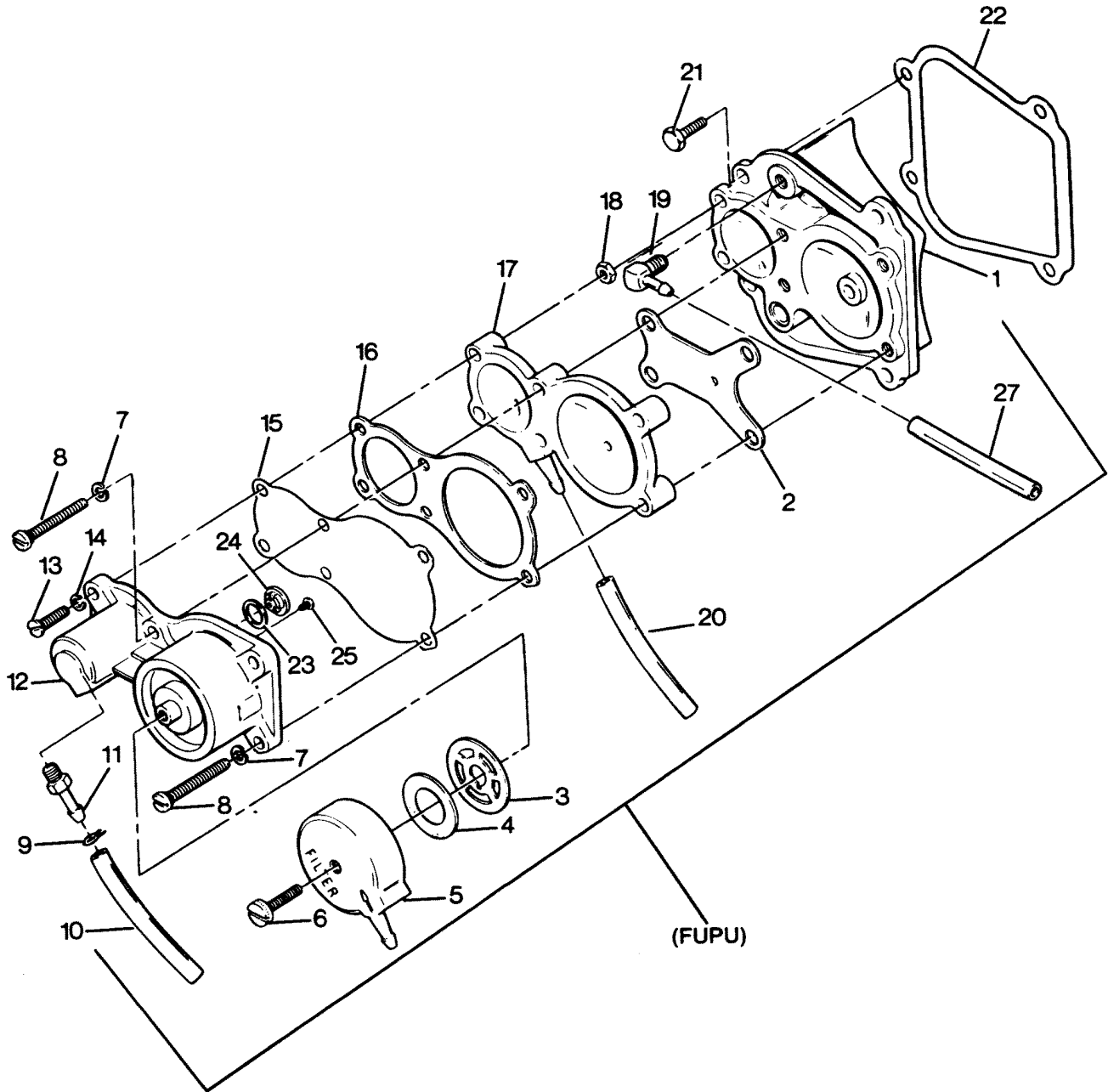




# ADAPTER AND REED PLATE

REF. NO.	PART NO.	SYM.	QTY.	DESCRIPTION
19	F372958		1	CHOKE BRACKET
20	F1532		6	HEX HD. SCREW, 1/4 - 20 X 1
21	F85317-3		1	SOLENOID CLAMP
22	F1236		2	SCREW, 1/4 - 20 X 1/2
23	817747--1		1	BALL JOINT W/STUD
24	F8058		2	INTERNAL TOOTH LOCKWASHER
25	F7008		1	STOP NUT, 1/4 - 20
26	F269319		2	THROTTLE CAM BEARING
27	F1513		1	HEX NUT, 10 - 32
28	F440192-1		1	THROTTLE CAM
29	F1346		4	HEX NUT
30	F440209		4	CARBURETOR STUD
31	F440906		2	CARBURETOR GASKET
32	F433209-1		1	THROTTLE CAM STUD
33	FA440167		1	CARBURETOR ADAPTER, LOWER W/FITTING AND ILLUS. 30
-	<b>FA440157</b>		<b>1</b>	<b>CARBURETOR ADAPTER, UPPER W/FITTING AND ILLUS. 30 (NOT SHOWN)</b>
34	F440254		1	BALANCE TUBE
35	F178168-1		1	GASKET, CARBURETOR ADAPTER
36	F178404-1		2	DEFLECTOR PLATE
37	F406406		2	GASKET DEFLECTOR PLATE
38	F1755		40	ROUND HD. SCREW W/LOCKWASHER 6 - 32 X 1/4
39	F85161-1		8	REED STOP
40	F530160		8	REED (5 PETAL)
41	F3A523158		4	REED PLATE <b>W/ILLUS. 38, 39, 40, 44 AND 51</b>
42	F1831		8	FLAT HD. SCREW, 1/4 - 20 X 5/8
43	F2008		10	HEX HD. SCREW, 1/4 - 20 X 7/8
44	F489551		1	BRACKET NEUTRAL INTERLOCK SWITCH
45	F84449		1	INTERLOCK SWITCH
46	F8088		2	PLAIN WASHER
47	F2016		2	SLOTTED HD. FILL SCREW, 6 - 32 X 7/8
48	F1704		2	LOCKWASHER
49	F1645		2	HD. SCREW, 6 - 32 X 1/4
50	F523451		8	SPACER, REED STOP
51	F500894		1	POINTER, TIMING

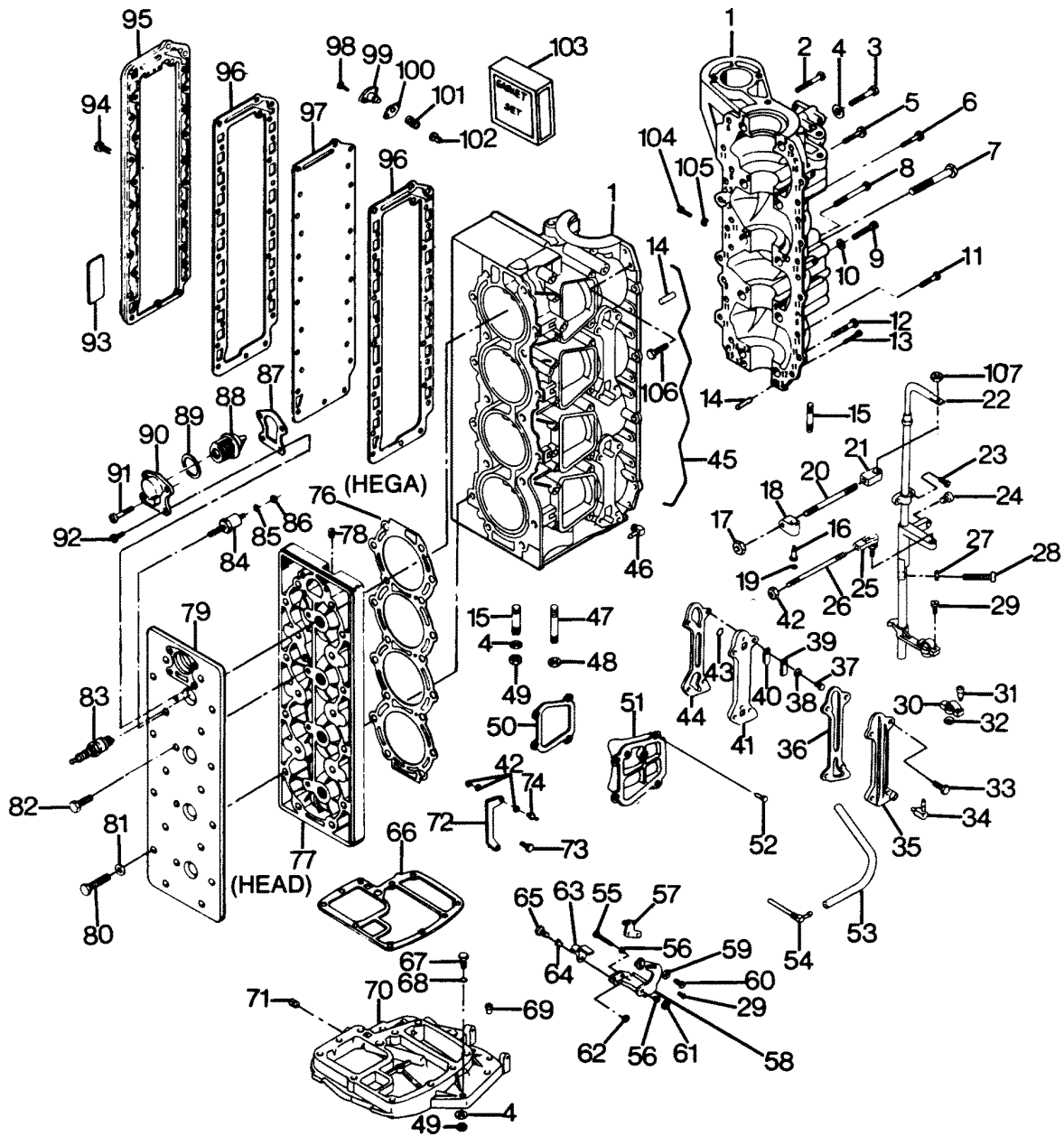
# FUEL PUMP



# FUEL PUMP

REF. NO.	PART NO.	SYM.	QTY.	DESCRIPTION
1	FA658746		1	COVER, FUEL PUMP <b>W/LITERATURE</b>
2	F658803		1	GASKET, SPACER PLATE
3	F438617		1	GASKET, FUEL SEDIMENT BOWL
4	F438653		1	SCREEN, FUEL PUMP
5	F438500		1	BOWL, FUEL SEDIMENT
6	F1648		1	SCREW, FUEL SEDIMENT BOWL
7	F8083		4	LOCKWASHER
8	F1504		4	SLOTTED FIL SCREW, 1/4 - 20 X 1-1/4 S.S.
9	F97772		2	CLAMP, FUEL LINE
10	F438754		1	FUEL LINE, PUMP TO CARBURETOR
11	F438801		1	ELBOW
12	FA438431		1	BODY, FUEL PUMP <b>W/ILLUS.</b>
13	F1648		2	SCREW, 10 - 24 X 3/4 PAN HD SCREW
14	F1975		2	LOCKWASHER
15	F438747		1	DIAPHRAGM, FUEL PUMP
16	F438760		1	GASKET, FUEL PUMP
17	F658836		1	SPACER, FUEL PUMP
18	F1473		2	NUT, 10 - 24 S.S.
19	F404310		1	ELBOW, RECIRCULATING
20	F89758		1	HOSE, IMPULSE
21	F1540		3	HEX HD SCREW, 1/4 - 20 X 5/8 GR. 5
22	F40223		1	GASKET, TRANSFER PORT COVER
23	F84792		1	GASKET, FUEL PUMP VALVE
24	F177330		3	VALVE, FUEL PUMP
25	F1860		2	SLOTTED BINDING HEAD SCREW, 6 - 32 X 1/4
-	<b>F2A664746</b>		<b>1</b>	<b>FUEL PUMP COMPLETE INCLUDES ITEMS 1, 2, 7, 8 &amp; 11 THRU 20</b>
27	F441754-1		1	HOSE, RECIRCULATION

# POWER HEAD

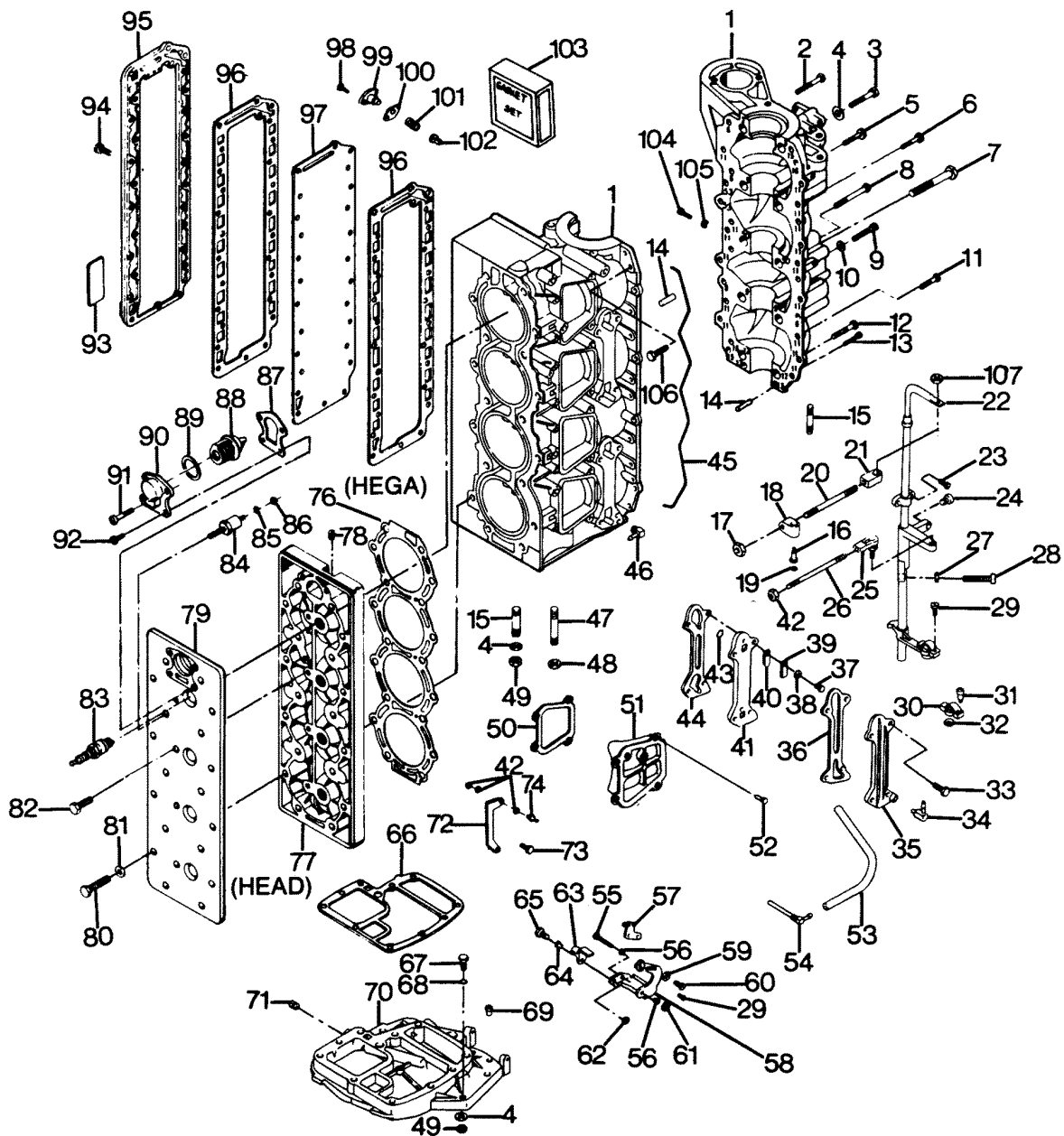


# POWER HEAD

REF. NO.	PART NO.	SYM.	QTY.	DESCRIPTION
1	800-817864A6		1	CYLINDER W/CRANKCASE COVER ILLUS. 2, 3, 7, 9, 12, 14, 15, 45 AND 47 ORIGINAL FORCE P/N A 615010-2
-	<b>800-818154A6</b>		1	<b>SHORT BLOCK CONTAINS ALL ITEMS MARKED WITH AN ASTERISK (*). ALSO REFER TO CRANKSHAFT PAGE. ORIGINAL FORCE P/N C 615010-2</b>
2	F1874		1	HEX HD. SCREW, 3/8 - 16 X 1/8
3	F1009		1	HEX HD. SCREW, 3/8 - 16 X 2-3/4
4	F8038		4	PLAIN WASHER
5	F2008		2	HEX HD. SCREW, 1/4 - 20 X 7/8
6	F2008		3	HEX HD. SCREW, 1/4 - 20 X 7/8
7	F1873		2	HEX CAP SCREW, 3/8 - 16 X 3
8	F1699		1	HEX HD. SCREW, 1/4 - 20 X 1-1/8
9	F1253		4	HEX SOCKET HD. CAP SCREW, 3/8 - 16 X 2
10	F8104		4	PLAIN WASHER
11	F1864		16	HEX HD. SCREW, 1/4 - 20 X 3/4
12	F1872		2	HEX CAP SCREW, 3/8 - 16 X 1-3/4
13	F1504		2	FILL HD. SCREW, 1/4 - 20 X 1-1/4
14	F8563		2	DOWEL PIN
15	F85859		4	STUD
16	F499026		1	SWIVEL
17	F2015		1	HEX NUT, 1/4 - 28
18	F499035		1	END, CONTROL ROD (TO TOWERSHAFT)
20	F85445		1	CONTROL ROD
21	F499036		1	END, CONTROL ROD (TO TRIGGER)
22	817960A2		1	TOWERSHAFT W/ILLUS. 30, 76, 77, 24, 25, 27 AND 28 ORIGINAL FORCE P/N K 491838-1
23	F1829		2	FILL HD. SCREW, 10 - 24 X 7/8
24	F1727		1	PLASTIC RIVET
25	817747--1		1	BALL JOINT W/STUD
26	F85502		1	THROTTLE LINK
27	F1341		1	HEX NUT, 1/4 - 20
28	F1052		1	FILL HD. SCREW, 1/4 - 20 X 1
29	F1556		2	FILL HD. SCREW, W/LOCKWASHER, 10 - 24 X 3/8
30	FK405020		2	SWIVEL W/CLAMP, SHOULDER SCREW AND NUT
31	F405457		1	PIVOT SCREW
32	F7008		1	ELASTIC STOP NUT
33	F1532		8	HEX HD. SCREW, 1/4 - 20 X 1
34	22-818103--1		1	ELBOW, CYLINDER DRAIN LOWER
-	<b>F404801</b>		1	<b>ELBOW, CYLINDER DRAIN UPPER (NOT SHOWN)</b>
35	F406471-1		2	CYLINDER DRAIN COVER
36	F84472-5		2	GASKET, CYLINDER DRAIN COVER
37	F1286		4	PAN HD. SCREW, 4 - 40 X 3/16
38	F8003		4	PLAIN WASHER
39	F93920		4	REED STOP

CONTINUED ON NEXT PAGE ➡

# POWER HEAD

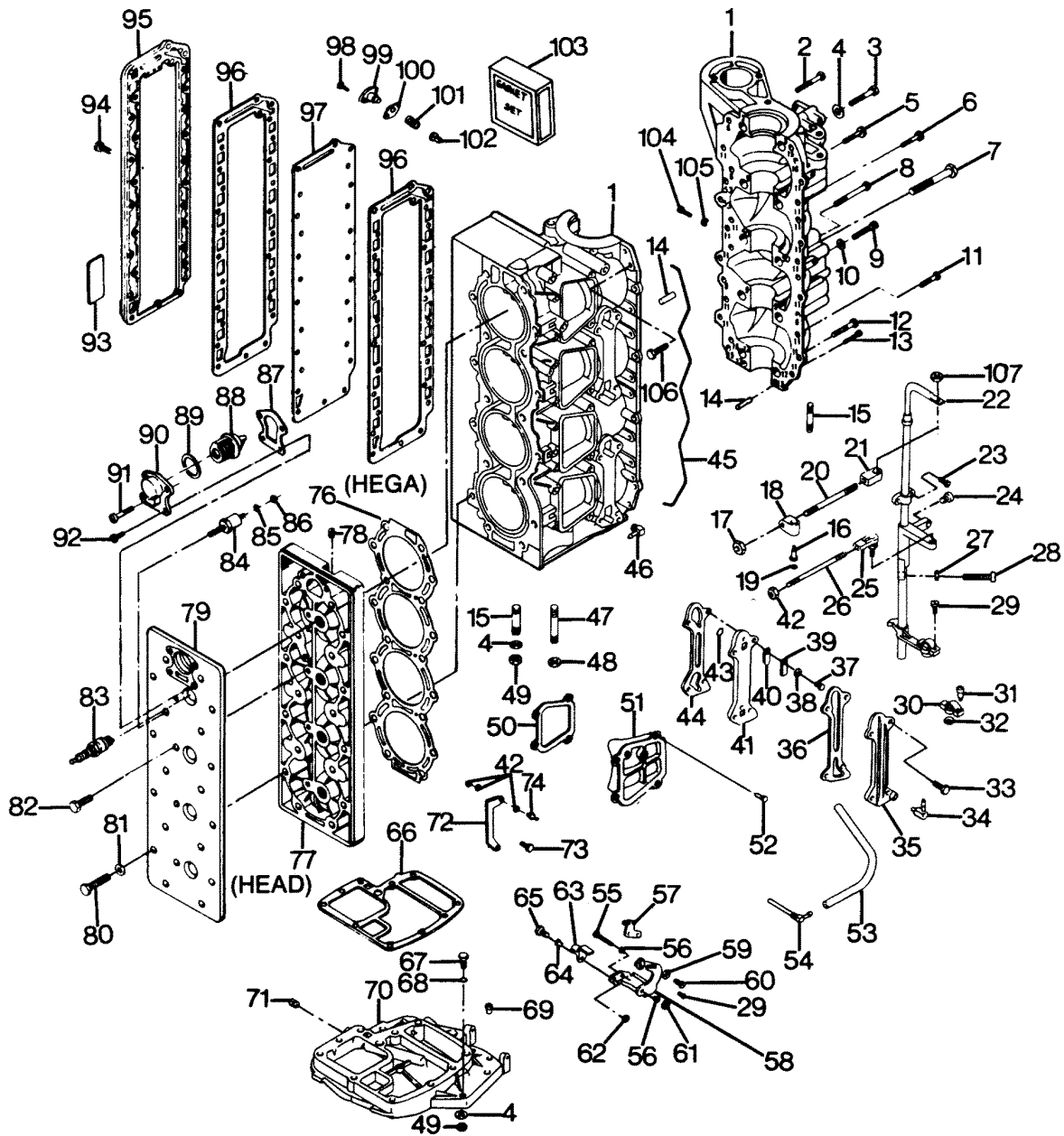


# POWER HEAD

REF. NO.	PART NO.	SYM.	QTY.	DESCRIPTION
40	F18160-3		4	CYLINDER DRAIN REED
41	F2A476757		2	CYLINDER DRAIN REED PLATE <b>W/ILLUS. 37, 38, 39, 40 AND 43</b>
42	F1513		2	HEX NUT, 10 - 32
43	F93811		4	SCREEN
44	F84748-3		2	GASKET, CYL. DRAIN REED PLATE
45	F184122-1		1	SEAL, PARTING LINE
46	F84314-2		1	ELBOW
47	F85211		6	STUD
48	F8095		12	PLAIN WASHER
49	F7004		10	STOP NUT, 3/8 - 16
50	F40223		4	GASKET, TRANSFER PORT COVER
51	FA411222		3	TRANSFER PORT COVER <b>W/ILLUS. 78 AND LITERATURE</b>
52	F1922		9	HEX CAP SCREW, 1/4 - 20 X 5/8
53	F406754-1		1	HOSE
54	F404314		1	FITTING
55	F1885		1	HEX BOLTS. S.S., 5/16 - 18 X 4-1/4
56	F85610		2	BEARING
57	F480107-1		1	CAM STARTER INTERLOCK
58	FA480876		1	GEAR SHIFT ARM <b>W/ILLUS. 30, 56, 62, 63, 64 AND 65</b>
59	F2042		2	PLAIN WASHER
60	F2089		2	SLOTTED PAN HD. M. SCREW, 10 - 24 X 5/16
61	F2108		1	STOP NUT, 5/16 - 18
62	F1832		1	STOP NUT, 1/4 - 20
63	F369977-1		1	INTERLOCK ARM
64	F369610		1	BEARING
65	F369887		1	SHOULDER SCREW
66	F85279-2		1	GASKET, CYLINDER EXHAUST UPPER
67	F1869		6	HEX CAP SCREW, 3/8 - 16 X 1-1/4
68	F1703		6	LOCKWASHER
69	F40689-1		1	BEARING
70	817788A3		1	SPACER PLATE <b>W/ILLUS. 71 ORIGINAL FORCE P/N A 404680-2</b>
71	F2090		1	PLUG
72	FS85872-1		1	BRACKET
73	F1864		2	HEX CAP SCREW, 1/4 - 20 X 3/4
74	F98273		2	ROD END CONNECTOR STUD
75	F1804		2	STOP NUT
76	F476529-1		1	CYLINDER HEAD GASKET
77	FA631518		1	CYLINDER HEAD <b>W/ILLUS. 78</b>
78	F19109		1	PLUG
79	FS631995		1	COVER, CYLINDER HEAD
80	F2049		18	HEX CAP SCREW, 5/16 - 18 X 2-5/8
81	F1987		18	PLAIN WASHER

CONTINUED ON NEXT PAGE ➡

# POWER HEAD





# POWER HEAD

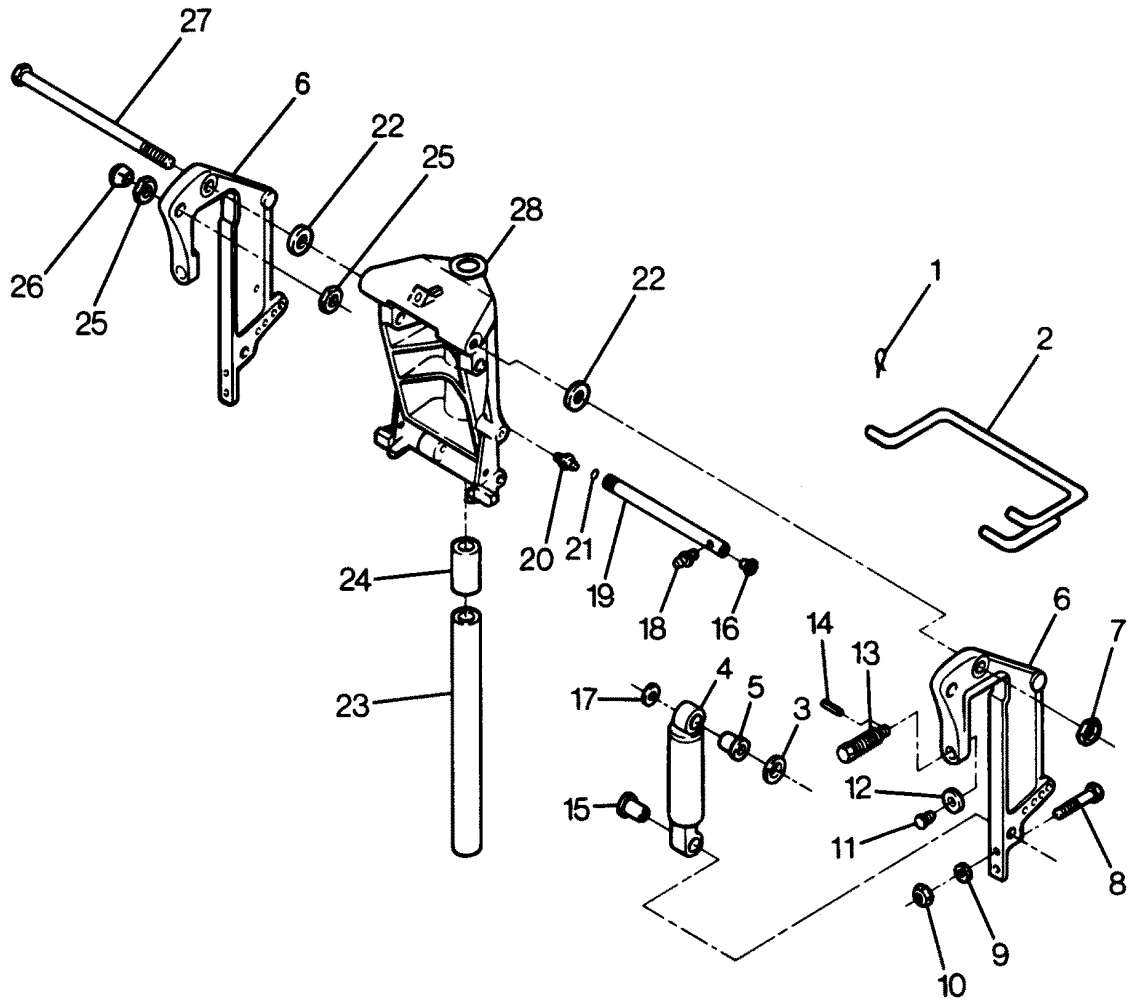
REF. NO.	PART NO.	SYM.	QTY.	DESCRIPTION
82	F2008		4	HEX CAP SCREW, 1/4 - 20 X 7/8
83	33-818007--1		4	SPARK PLUG (CHAMPION UL18V) - USA
87	F476067		1	GASKET
88	F528068		1	THERMOSTAT
89	F84504		1	GROMMET (THERMOSTAT)
90	F476066-1		1	THERMOSTAT COVER
91	F1504		2	FILL HD. SCREW, 1/4 - 20 X 1-1/4
92	F1107		2	SLOTTED FILL HD. CAP SCREW, 1/4 - 20 X 3/4
93	FC529398		1	DECAL, WIRING
94	F1699		27	HEX BOLT, 1/4 - 20 X 1-1/8
95	F372152-2		1	EXHAUST PORT COVER
96	F372154-1		2	GASKET, EXHAUST PORT PLATE
97	F372151-1		1	EXHAUST PORT PLATE
98	F1950		2	HEX CAP SCREW, 10 - 24 X 5/8
99	F438066		1	BY-PASS VALVE COVER
100	F85762		1	BY-PASS VALVE COVER GASKET
101	F404268		1	BY-PASS VALVE SPRING
102	F85916-1		1	BY-PASS VALVE
103	FG1019		1	GASKET SET - <b>INCLUDES ALL ITEMS MARKED WITH A *</b>
-	<b>F40223</b>		<b>4</b>	<b>TRANSFER PORT COVER GASKET</b>
-	<b>F84472-5</b>		<b>2</b>	<b>CYLINDER DRAIN COVER GASKET</b>
-	<b>F84748-3</b>		<b>2</b>	<b>CYLINDER DRAIN REED PLATE GASKET</b>
-	<b>F85279-2</b>		<b>1</b>	<b>CYLINDER EXHAUST UPPER GASKET</b>
-	<b>F85762</b>		<b>1</b>	<b>BY-PASS COVER GASKET</b>
-	<b>F85906</b>		<b>2</b>	<b>CARBURETOR GASKET</b>
-	<b>F178168-1</b>		<b>2</b>	<b>CARBURETOR ADAPTER GASKET</b>
-	<b>F184122-1</b>		<b>1</b>	<b>SEAL</b>
-	<b>F372154-1</b>		<b>2</b>	<b>EXHAUST PLATE GASKET</b>
-	<b>F406406</b>		<b>2</b>	<b>DEFLECTOR PLATE GASKET</b>
-	<b>F440906</b>		<b>2</b>	<b>CARBURETOR GASKET</b>
-	<b>F476067</b>		<b>1</b>	<b>THERMOSTAT COVER GASKET</b>
-	<b>F476529-1</b>		<b>1</b>	<b>CYLINDER HEAD GASKET</b>
104	F2000		1	HEX CAP SCREW, 5/16 - 18 X 3/4
105	F8096		1	SPRING LOCKWASHER
106	F1532		2	HEX HD. SCREW, 1/4 - 20 X 1
107	F7009		1	LOCK NUT, #10 - 24
108	FA607689		2	BEARING TOWERSHAFT <b>WILLUS. 23</b>
109	F491689-1		1	BEARING TOWERSHAFT UPPER



# CRANKSHAFT AND PISTON

REF. NO.	PART NO.	SYM.	QTY.	DESCRIPTION
1	FA335260		4	PISTON RINGS (2 PER SET) STANDARD
-	<b>FSA335260</b>		<b>4</b>	<b>PISTON RINGS (2 PER SET) .010 OVERSIZE</b>
-	<b>39-818110A1</b>		<b>4</b>	<b>PISTON RINGS (2 PER SET) .030 OVERSIZE</b>
2	700-F372015-3		4	PISTON - STANDARD
-	<b>700-817988A2</b>		<b>4</b>	<b>PISTON .010 OVERSIZE</b>
-	<b>700-818111A2</b>		<b>4</b>	<b>PISTON .030 OVERSIZE</b>
3	F335215		8	SPACER, PISTON PIN (2 PER PISTON)
4	F85017		4	PISTON PIN
5	F335217-1		4	BEARING PISTON PIN (26 PER SET)
6	600-818052A4		4	CONNECTING ROD <b>W/CAP AND ILLUS. 14 ORIGINAL FORCE P/N S 366016-4</b>
7	FK85228-1		4	BEARING CAGE W/ROLLER
8	F85410		3	SNAP RING
9	FA85655-1		3	CRANKSHAFT MAIN BEARING RACE <b>W/ILLUS. 8</b>
10	F85571		3	BEARING CAGE W/ROLLER
11	F316579		3	SEAL, CRANKCASE
12	FA523014		1	CRANKSHAFT LOWER MAIN BEARING <b>W/ILLUS. 13</b>
13	F523146-1		0	SEAL, CRANKSHAFT LOWER
14	F85634-2		6	CONNECTING ROD SCREW
15	FA528018		1	CRANKSHAFT <b>W/ILLUS. 11 AND 21</b>
16	F85498-1		1	FLYWHEEL KEY
17	F2A615144		1	CRANKSHAFT BEARING CAGE <b>W/ILLUS. 19</b>
18	F2081		5	HEX SOC. HD SCREW, 1/4 - 20 X 3/4
19	F523146-1		1	SEAL, CRANKSHAFT UPPER
20	F1968		1	FLYWHEEL NUT
21	F284659-2		1	CRANKSHAFT THRUST BEARING, UPPER
22	F2067		1	PLASTIC CAP
23	F85909-1		4	BEARING LOCATING PIN (PRESSED INTO BLOCK)

# SWIVEL BRACKET AND STERN BRACKETS MODELS WITH POWER TRIM

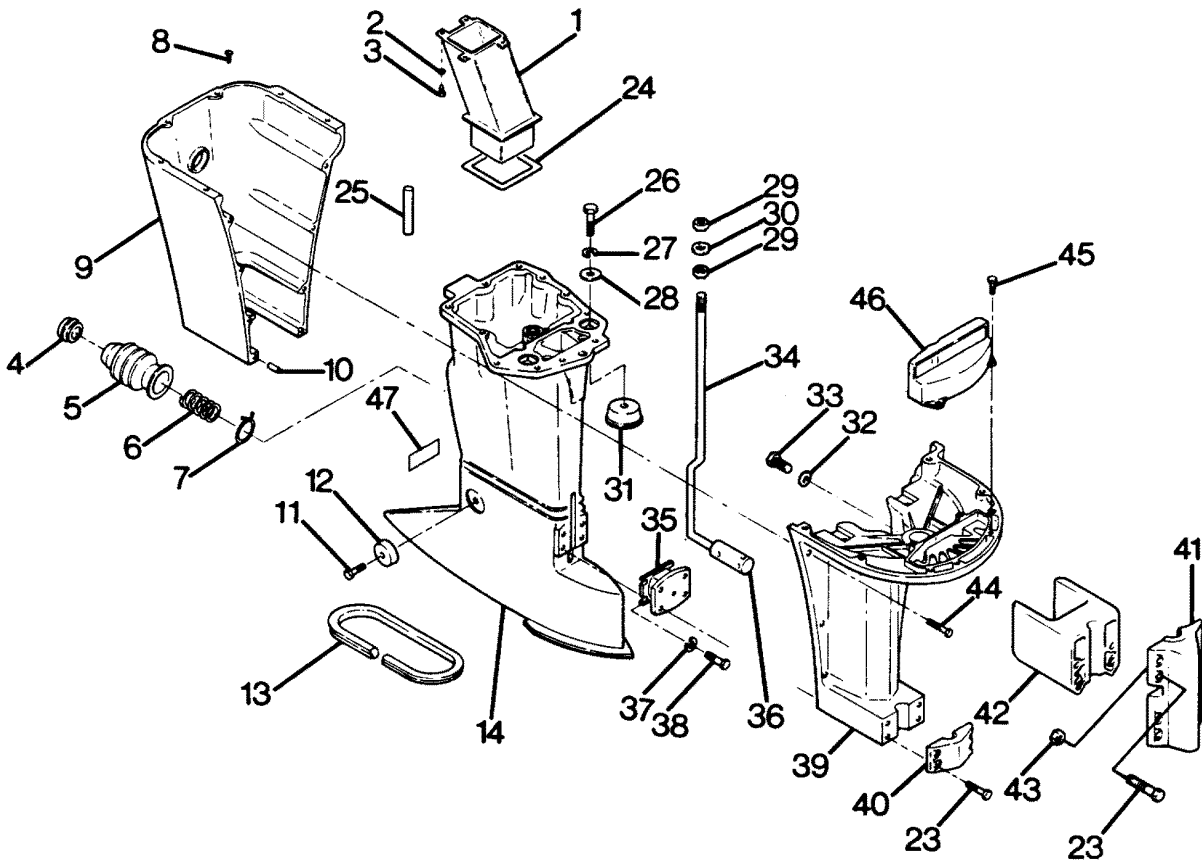
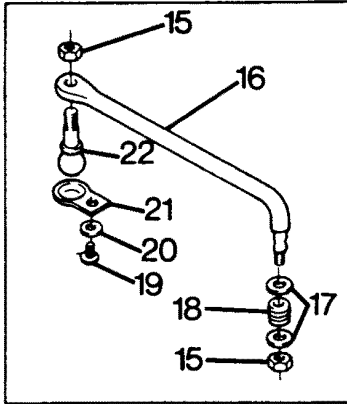


# SWIVEL BRACKET AND STERN BRACKETS MODELS WITH POWER TRIM

REF. NO.	PART NO.	SYM.	QTY.	DESCRIPTION
1	F525629		1	COTTER PIN
2	F5H179		1	TRAILERING BRACKET
3	F1710		4	WASHER
4	FS631962		1	SHOCK ABSORBER W/BUSHING
5	F178344		1	BUSHING
6	1400-817958A6		2	STERN BRACKET
7	F7012		1	STOP NUT
8	F2185		2	HEX HD. SCREW, 3/8 - 16 X 3-1/2 S.S.
9	F1904		2	WASHER
10	F1346		2	HEX NUT, 3/8 - 16 S.S.
11	F353480		2	STUD
12	F84074		2	FOOT, CLAMP SCREW
13	FA628073		2	CLAMP SCREW
14	F8538		2	SPRING, PIN
15	F449362		2	BEARING
16	F9052		1	PLUG
17	F1711		2	SPRING BOWED WASHER
18	F523274		1	GREASE FITTING
19	F511125-2		1	TUBE, STEERING SUPPORT
20	F213274		3	GREASE FITTING
21	F316599		1	SEAL
22	F84286-1		4	FRICTION WASHER
23	FS85019		1	KINGPIN (20 INCH MODELS)
-	<b>FA500019</b>		<b>1</b>	<b>KINGPIN (25 INCH MODELS)</b>
24	F438169		2	BEARING
25	F523280		2	NUT
26	F9018		1	CAP
27	F85037-1		1	BOLT, STERN BRACKET PIVOT
28	817783A5		1	SWIVEL BRACKET W/GREASE FITTINGS

# MOTOR LEG

## STEERING LINK



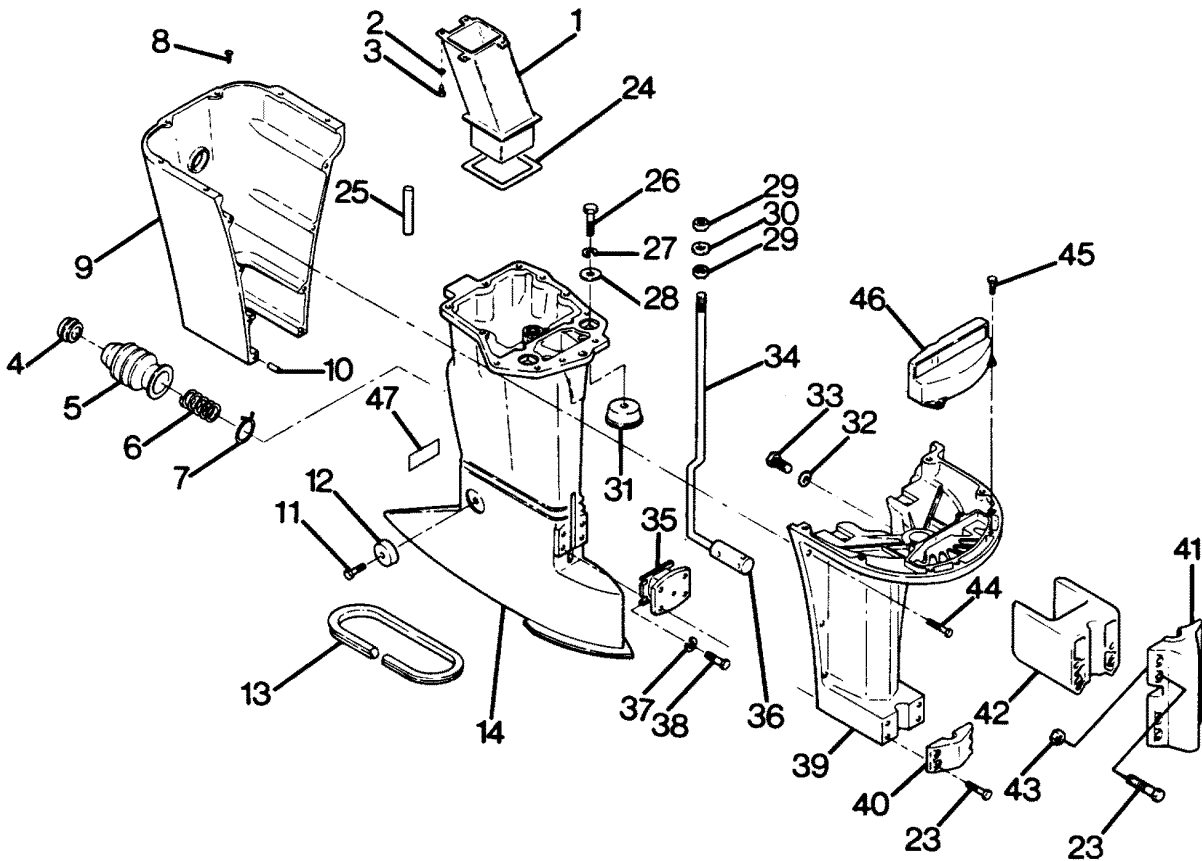
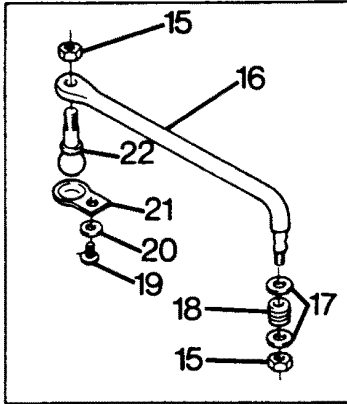
# MOTOR LEG

REF. NO.	PART NO.	SYM.	QTY.	DESCRIPTION
1	F85660-1		1	EXHAUST TUBE
2	F8083		4	SPRING LOCKWASHER
3	F1864		4	HEX SLOT HD. SCREW, 1/4 - 20 X 3/4
4	F85258		1	INSERT
5	F85130		1	BOOT, IDLE EXHAUST
6	F85380		1	SPRING
7	F85772		1	CLAMP
8	F1729		2	PLUG
9	F178145-4		1	COVER, MOTO LEG REAR
10	F1664		2	SPRING PIN
11	F1263		2	HEX SOCKET HD. CAP SCREW, 5/16 - 18 X 9/16
12	F438962		2	MOUNT, LOWER REAR SHOCK
13	F178323		1	SEAL
14	F523133-2		1	MOTOR LEG (20 INCH MODELS)
-	<b>F631133</b>		<b>1</b>	<b>MOTOR LEG (25 INCH MODELS)</b>
15	F2093		2	STOP NUT, 3/8 - 24
16	F5H094		1	STEERING LINK KIT
17	F8038		2	WASHER
18	F523300-1		1	SPRING
19	F1280		1	PAN HD. SCREW, 8 - 32 X 1/4
20	F8080		1	SPRING LOCKWASHER
21	F523930		1	RETAINER
22	F523273		1	STUD
23	F1696		8	HEX BOLT, 5/16 - 18 X 1
24	F2030		6	HEX HD. SCREW, 1/4 - 20 X 1-1/4
25	F686660		2	STAND TUBE
26	F1871		4	HEX HD. SCREW, 3/8 - 16 X 3/4
27	F2014		2	WASHER
28	FA85355-1		2	WASHER SET
29	F2018		2	LOCKNUT
30	F1987		1	WASHER,
31	F85965		2	MOUNT, UPPER SHOCK
32	F1703		2	SPRING, LOCKWASHER
33	F1871		4	HEX HD. SCREW, 3/8 - 16 X 3/4
34	F85615-1		1	ROD, GEAR SHIFT UPPER (20 INCH MODELS)
-	<b>F500615</b>		<b>1</b>	<b>ROD, GEAR SHIFT UPPER (25 INCH MODELS)</b>
35	F438346		1	MOUNT, LOWER SHOCK
36	F85704		1	COUPLER, GEAR SHIFT ROD
37	F8096		4	SPRING LOCKWASHER
38	F1822		4	HEX BOLT, 5/16 - 18 X 7/8
39	FA85135-4		1	COVER, FRONT LEG
40	F85606		1	CAP, KING PIN (20 INCH MODELS)
41	F631606		1	CAP, KING PIN (25 INCH MODELS)

CONTINUED ON NEXT PAGE ➡

# MOTOR LEG

## STEERING LINK

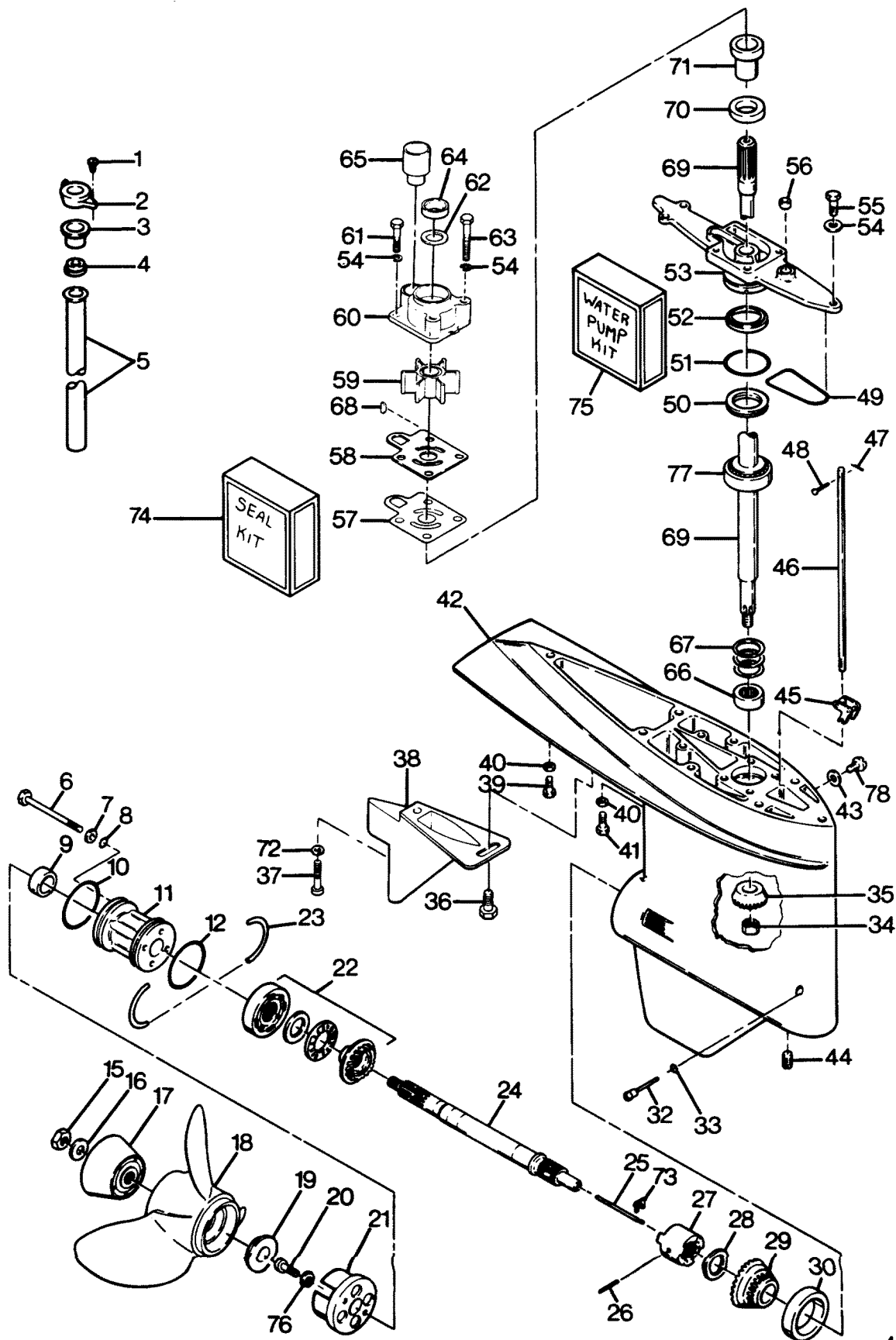




# MOTOR LEG

REF. NO.	PART NO.	SYM.	QTY.	DESCRIPTION
42	F631707		1	COVER, SHOCK MOUNT LOWER (25 INCH MODELS)
43	F1515		4	HEX NUT, 5/16 - 18
44	F2030		6	HEX HD. CAP SCREW, 1/4 - 20 X 1-1/4
45	F1912		4	HEX HD. SCREW, 10 - 24 X 1/2
46	F85779-1		1	BAFFLE, AIR INTAKE
47	F598387		1	DECAL, AIR FLOW

# GEAR HOUSING



OB 4198

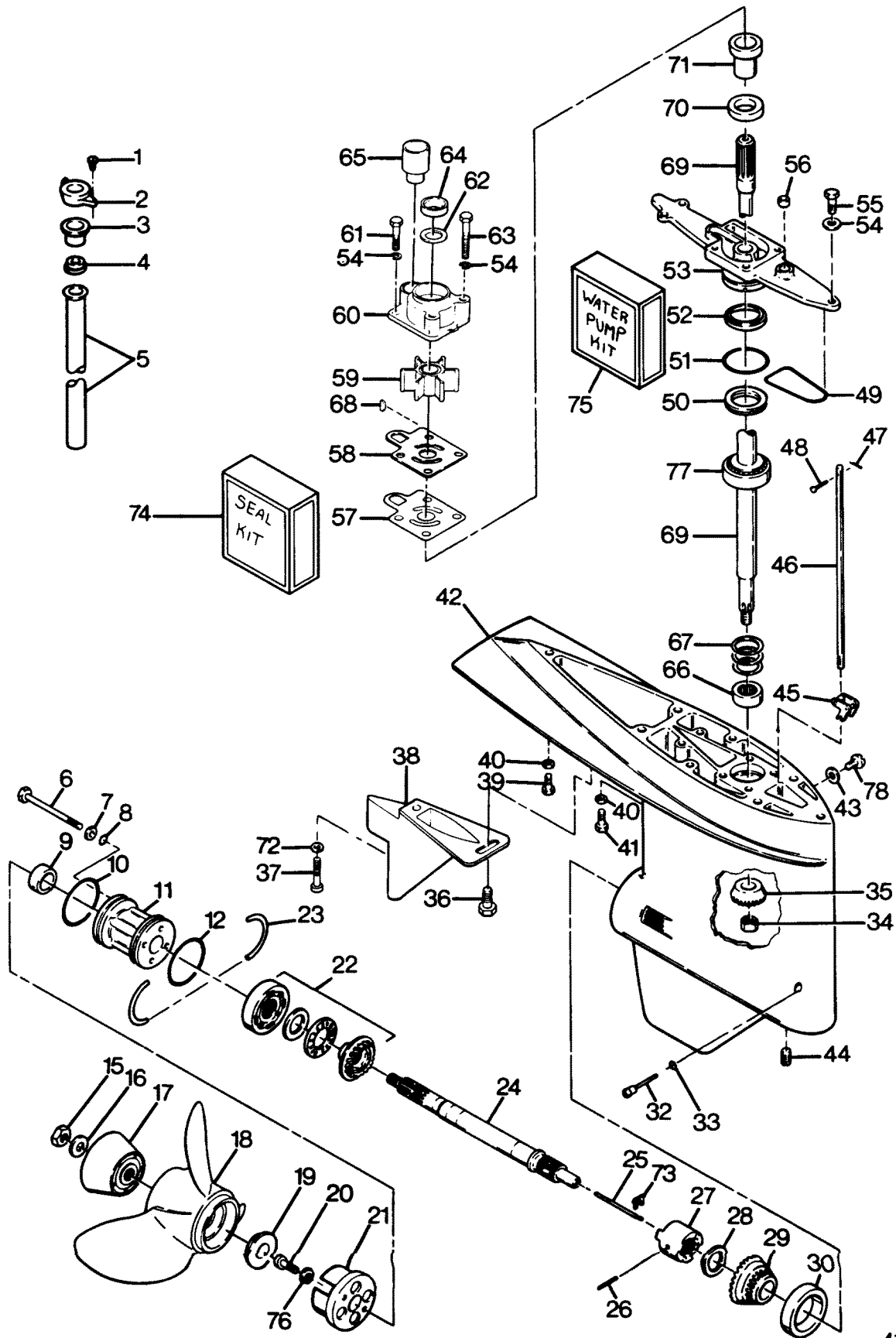
41954

# GEAR HOUSING

REF. NO.	PART NO.	SYM.	QTY.	DESCRIPTION
1	F1705		2	HEX CAP SCREW, 1/4 - 20 X 3/4 S.S.
2	F85117		1	BRACKET, WATERLINE
3	F84342		1	SEAL, INLET WATERLINE, UPPER
4	F523899		1	GROMMET, WATERLINE
5	F523244		1	INLET WATERLINE (20 INCH MODELS)
-	<b>F500244</b>		<b>1</b>	<b>INLET WATER LINE (25 INCH MODELS)</b>
6	F1885		4	HEX CAP SCREW, 5/16 - 18 X 4-1/4 S.S.
7	F1907		4	PLAIN WASHER S.S.
8	F50342-1		4	SEAL, BEARING CAGE BOLTS
9	F506118		1	SEAL, PROPELLER SHAFT
10	F24278		1	SEAL, O-RING PROPELLER SHAFT SPOOL
11	F2A523239		1	SPOOL, PROPELLER SHAFT BEARING W/SEAL AND ILLUS. 9
12	F84305		1	SEAL, PROPELLER SHAFT BEARING SPOOL
15	F1788		1	STOP NUT
16	F1866		1	PLAIN WASHER
17	F532299		1	WASHER, PROPELLER SPLINE
18	FPS501		1	PROPELLER (14 X 13) MODEL 1253X7B
-	<b>FPS623</b>		<b>1</b>	<b>PROPELLER (13 X 17) MODEL 1251X7B</b>
-	<b>FPS625</b>		<b>1</b>	<b>PROPELLER (13 X 19) MODELS 1251F7B, C1251F7B, 1258F7B, C1258F7B, 1258V7B &amp; 1258X7B</b>
-	<b>FP665</b>		<b>1</b>	<b>PROPELLER (13 X 15 CUPPED) MODEL 1254X7B</b>
19	F523099-1		1	SPACER, PROPELLER
20	F1112		2	FILL HD SCREW, 1/4 - 20 X 7/8
21	FA523485		1	ANTI-CORROSION ANODE W/LITERATURE
22	F2A523662		1	BEVEL GEAR REAR W/BEARING CAGE, SPACER AND BEARING
23	F523411		2	RETAINING RING
24	44-817962A2		1	PROPELLER SHAFT W/LITERATURE ORIGINAL FORCE P/N K 523098-1
25	F84871-1		1	PIN, GEAR SHIFT
26	F1713		1	SPRING PIN
27	F84521-2		1	CLUTCH
28	F1936		A/R	SPACER, BEVEL GEAR FRONT .059
-	<b>F1937</b>		<b>A/R</b>	<b>SPACER, BEVEL GEAR FRONT .062</b>
-	<b>F1938</b>		<b>A/R</b>	<b>SPACER, BEVEL GEAR FRONT .065</b>
-	<b>F1939</b>		<b>A/R</b>	<b>SPACER, BEVEL GEAR FRONT .068</b>
-	<b>F1940</b>		<b>A/R</b>	<b>SPACER, BEVEL GEAR FRONT .071</b>
-	<b>F1941</b>		<b>A/R</b>	<b>SPACER, BEVEL GEAR FRONT .074</b>
-	<b>F1942</b>		<b>A/R</b>	<b>SPACER, BEVEL GEAR FRONT .077</b>
-	<b>F2113</b>		<b>A/R</b>	<b>SPACER, BEVEL GEAR FRONT .080</b>
-	<b>F2114</b>		<b>A/R</b>	<b>SPACER, BEVEL GEAR FRONT .083</b>
-	<b>F2115</b>		<b>A/R</b>	<b>SPACER, BEVEL GEAR FRONT .086</b>
-	<b>F2116</b>		<b>A/R</b>	<b>SPACER, BEVEL GEAR FRONT .089</b>
-	<b>F2121</b>		<b>A/R</b>	<b>SPACER, BEVEL GEAR FRONT .057</b>

CONTINUED ON NEXT PAGE ➡

# GEAR HOUSING



OB 4198

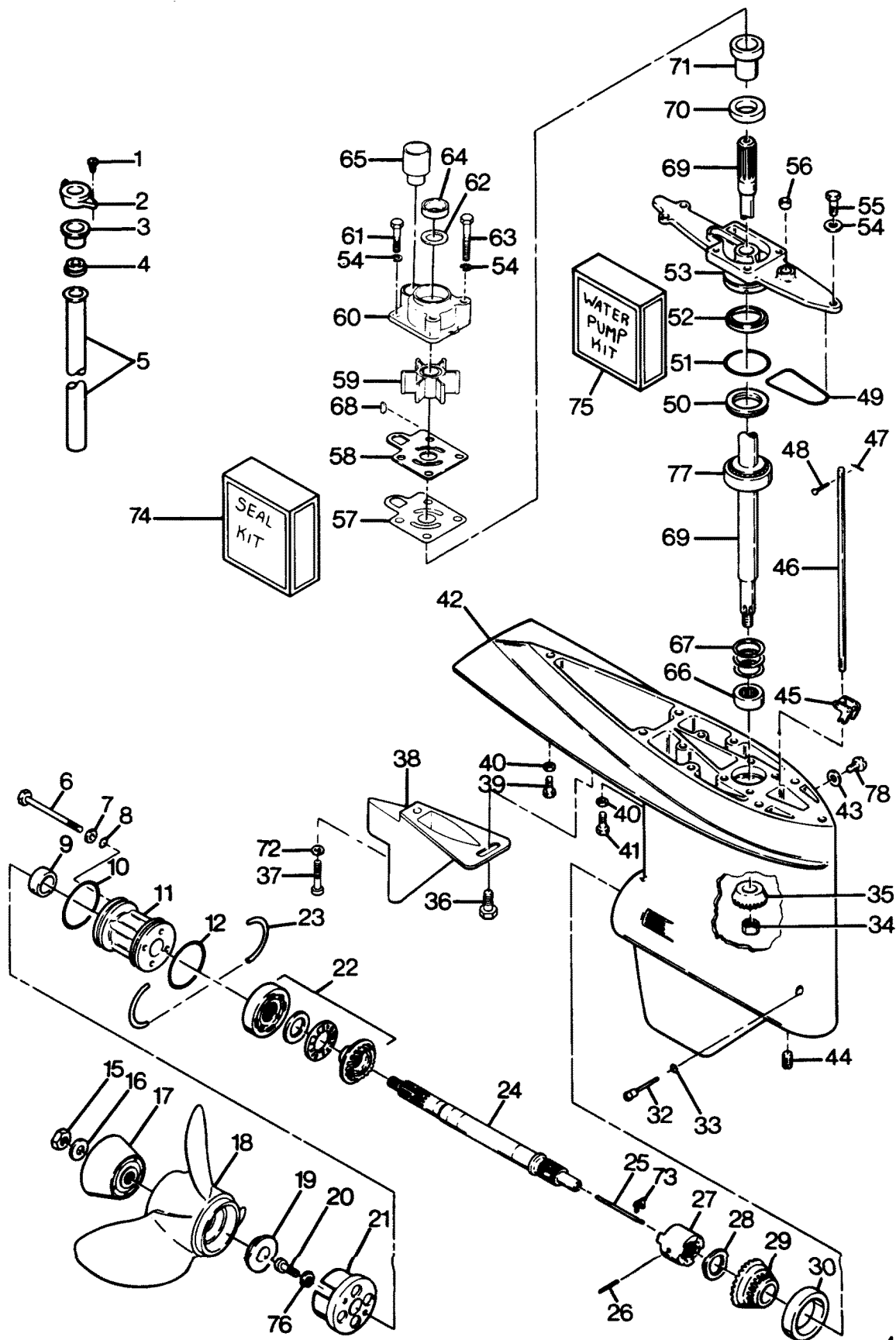
41954

# GEAR HOUSING

REF. NO.	PART NO.	SYM.	QTY.	DESCRIPTION
-	<b>F2122</b>		<b>A/R</b>	<b>SPACER, BEVEL GEAR FRONT .054</b>
29	43-818068A2		1	BEVEL GEAR FRONT W/BEARING
30	F523813		1	BEARING CUP
32	F498891		1	PIN, GEAR SHIFT ARM
33	F498618		1	SEAL
34	F523188		1	NUT, BEVEL PINION RETAINING
35	43-817854A2		1	<b>BEVEL PINION GEAR W/ILLUS. 50 AND SHIMS ORIGINAL FORCE P/N A 523266-2</b>
36	F438930		1	RETAINER, SNOOT
37	F1994		1	HEX SOCKET HD CAP SCREW, 5/16 - 18 X 1
38	F523116-1		1	EXHAUST SNOOT
39	F1858		1	HEX CAP SCREW, 5/16 - 18 X 1
40	F8096		7	SPRING LOCKWASHER
41	F1491		6	HEX HD SCREW, 5/16 - 18 X 3/4
42	FA523054		1	<b>GEAR HOUSING W/DRIVESHAFT BEARING LOWER ILLUS. 30, 31, 43 AND 44</b>
43	F8077		2	WASHER, GEAR HOUSING PLUG
44	FA523109		1	PLUG, GEAR HOUSING
45	FA84621-1		1	COUPLING, GEAR SHIFT ARM W/BUSHING
46	F523705		1	GEAR SHIFT ROD LOWER
47	F1015		1	COTTER PIN
48	F85372		1	PIN, GEAR SHIFT ROD LOWER
49	F523555		1	SEAL, O-RING, GEAR HOUSING COVER
50	F523961		1	CRUSH RING
51	F74305		1	SEAL, DRIVESHAFT BEARING CAGE
52	F506118		1	SEAL, DRIVESHAFT
53	F2A550706		1	<b>GEAR HOUSING COVER W/ILLUS. 52</b>
54	F8083		7	SPRING LOCKWASHER
55	F1999		3	HEX CAP SCREW, 1/4 - 20 X 7/8 S.S.
56	F338618-1		1	SEAL, GEAR SHIFT ROD
57	F523031		1	GASKET, WATER PUMP
58	F523562		1	WATER PUMP BACK PLATE
59	F523065-1		1	WATER PUMP IMPELLER
60	46-817853A1		1	<b>WATER PUMP BODY W/ILLUS. 62, 64 AND 65 ORIGINAL FORCE P/N A 523060-1</b>
61	F1990		2	HEX CAP SCREW, 1/4 - 20 X 1-5/8 S.S.
62	F480388		1	WATER PUMP LOCATING
63	F1425		2	HEX CAP SCREW, 1/4 - 20 X 2-5/8 S.S.
64	F351307		1	SEAL, WATER PUMP
65	FA523735		1	SEAL, INLET WATERLINE, LOWER <b>W/LITERATURE</b>
66	F523057		1	BEARING, DRIVESHAFT LOWER
67	F9106		A/R	SHIM, DRIVESHAFT BEARING, UPPER .003 - BRASS
-	<b>F9095</b>		<b>A/R</b>	<b>SHIM, DRIVESHAFT BEARING, UPPER .005 - SILVER</b>
-	<b>F9097</b>		<b>A/R</b>	<b>SHIM, DRIVESHAFT BEARING, UPPER .010 - BLACK</b>

CONTINUED ON NEXT PAGE ➡

# GEAR HOUSING



OB 4198

41954

# GEAR HOUSING

REF. NO.	PART NO.	SYM.	QTY.	DESCRIPTION
68	F523498		1	DRIVE KEY, WATER PUMP
69	45-817967A6		1	DRIVESHAFT W/BEARING ILLUS. 50, 67 AND LITERATURE (20 INCH MODELS) ORIGINAL FORCE P/N K 616128-2
-	<b>45-817961A6</b>		1	<b>DRIVESHAFT W/BEARING ILLUS. 50, 67 AND LITERATURE (25 INCH MODELS) ORIGINAL FORCE P/N K 500128-4</b>
70	F438271		1	RETAINER, CRANKSHAFT SPLINE SEAL
71	F438129		1	SEAL, DRIVESHAFT SPLINE
72	F1856		2	PLAIN WASHER
73	F90619-2		1	YOKE
74	FK1063-2		1	SEAL KIT- INCLUDES ITEMS MARKED WITH A *
-	<b>F50342-1</b>		<b>4</b>	<b>BEARING CAGE BOLT SEAL</b>
-	<b>F506118</b>		<b>1</b>	<b>PROPELLER SHAFT SEAL</b>
-	<b>F24278</b>		<b>1</b>	<b>PROPELLER SHAFT SPOOL SEAL</b>
-	<b>F84305</b>		<b>1</b>	<b>PROPELLER SHAFT SPOOLS SEAL</b>
-	<b>F498618</b>		<b>1</b>	<b>GEAR SHIFT ARM PIN SEAL</b>
-	<b>F8077</b>		<b>3</b>	<b>WASHER</b>
-	<b>F523555</b>		<b>1</b>	<b>GEAR HOUSING COVER SEAL</b>
-	<b>F74305</b>		<b>1</b>	<b>GEAR HOUSING COVER SEAL</b>
-	<b>F84307-1</b>		<b>1</b>	<b>DRIVE SHAFT SEAL</b>
-	<b>F338618-1</b>		<b>1</b>	<b>GEAR SHIFT ROD SEAL</b>
75	FK1069		1	WATER PUMP KIT- INCLUDES ITEMS MARKED WITH A **
-	<b>F1425</b>		<b>2</b>	<b>HEX CAP SCREW, 1/4 - 20 X 5/8 S.S.</b>
-	<b>F1990</b>		<b>2</b>	<b>HEX CAP SCREW, 1/4 - 20 X 1-5/8 S.S.</b>
-	<b>F8083</b>		<b>4</b>	<b>SPRING LOCKWASHER</b>
-	<b>F523031</b>		<b>1</b>	<b>GASKET, WATER PUMP</b>
-	<b>F523065-1</b>		<b>1</b>	<b>IMPELLER</b>
-	<b>F523498</b>		<b>1</b>	<b>KEY</b>
-	<b>F523562</b>		<b>1</b>	<b>PLATE, WATER PUMP</b>
-	<b>46-817853A1</b>		<b>1</b>	<b>WATER PUMP W/ILLUS. 62, 64 AND 65 ORIGINAL FORCE P/N A 523060-1</b>
76	F8083		2	LOCKWASHER
77	F522056		1	BEARING
-	<b>FC664054</b>		<b>1</b>	<b>GEAR HOUSING COMPLETE. INCLUDES ALL ITEMS MARKED WITH AN ASTERISK (*). (20 INCH MODELS)</b>
-	<b>FC660054</b>		<b>0</b>	<b>GEAR HOUSING COMPLETE. INCLUDES ALL ITEMS MARKED WITH AN ASTERISK (*). (25 INCH MODELS)</b>
78	F50109		2	PLUG





# REMOTE CONTROL

REF. NO.	PART NO.	SYM.	QTY.	DESCRIPTION
1	F660611		1	LEVER W/TRIM SWITCH
2	F660602		1	SWITCH (EMERGENCY STOP)
3	F660165		4	SCREW (LEVER TO ACTUATOR)
4	F660332		1	PLUG (WARM-UP BUTTON)
5	F660843		1	CABLE (15-1/2' REMOTE ELECT.)
-	<b>F663843</b>		-	<b>CABLE (19' REMOTE ELECT. - 10 WIRE)</b>
-	<b>F664843</b>		-	<b>CABLE (22' REMOTE ELECT. - 10 WIRE)</b>
-	<b>F591843</b>		-	<b>CABLE (25' REMOTE ELECT. - 10 WIRE)</b>
-	<b>F5H193</b>		-	<b>CABLE (7' EXTENSION FOR 10 WIRE REMOTE ELECTRIC CABLE)</b>
6	F660446		1	CLAMP (REMOTE ELECT. CABLE)
7	F660504		1	GROMMET (REMOTE ACCESSORY CABLE)
8	F660353		1	CABLE ACCESSORY
9	F660480		2	SCREW (COVER TO ACTUATOR)
10	F660732		4	SCREW (CONTROL MOUNTING)
11	F660595		4	WASHER (CONTROL MTG. SCREWS)
12	F660995		1	COVER (ASSEMBLY - REMOTE CONTROL)
13	F660642		1	RETAINER (REMOTE CABLE)
14	F660327		1	ACTUATOR (ASSEMBLY - REMOTE CONTROL)
15	F660141		2	CONNECTOR (CABLE - REMOTE CONTROL)
16	F660411		2	RING (RETAINING)
17	F660751		2	SCREW (PLATE TO ACTUATOR)
18	F660911		1	PLATE (REMOTE CONTROL)
19	F660497		1	BLOCK (TERMINAL)
20	F1741		2	SCREW (TERMINAL BLOCK)
21	F5H077		1	SWITCH (ACCESSORY ITEM) <b>W/ITEMS 22 AND 32</b>
22	F1280		6	SCREW (IGN. SWITCH WIRE TERMINAL)
23	F1513		4	STOP NUTS (CABLE END)
24	FA58976-1		1	CONNECTOR (THROTTLE)
25	F58685-2		1	CONNECTOR (SHIFT)
26	F195/___		1	REMOTE CONTROL CABLE (SPECIFY LENGTH - X)
27	F660664		1	WIRE (IGN. SWITCH TO ACC. TERMINAL BLOCK)
28	F404841		1	CABLE, OVERHEAT BUZZER
29	F5H073		1	BUZZER, OVERHEAT (ACCESSORY ITEM)
30	F1741		2	SCREW, PAN HD., 8-3/4
31	F1645		8	SCREW, RD. HD., SELF-TAPPING, 6 - 32 X 1/4
3	817782--1		1	IGNITION KEY - NO LETTER OR STAMPED A
-	<b>817883--1</b>		<b>1</b>	<b>IGNITION KEY - STAMPED B</b>
-	<b>817891--1</b>		<b>1</b>	<b>IGNITION KEY - STAMPED C</b>

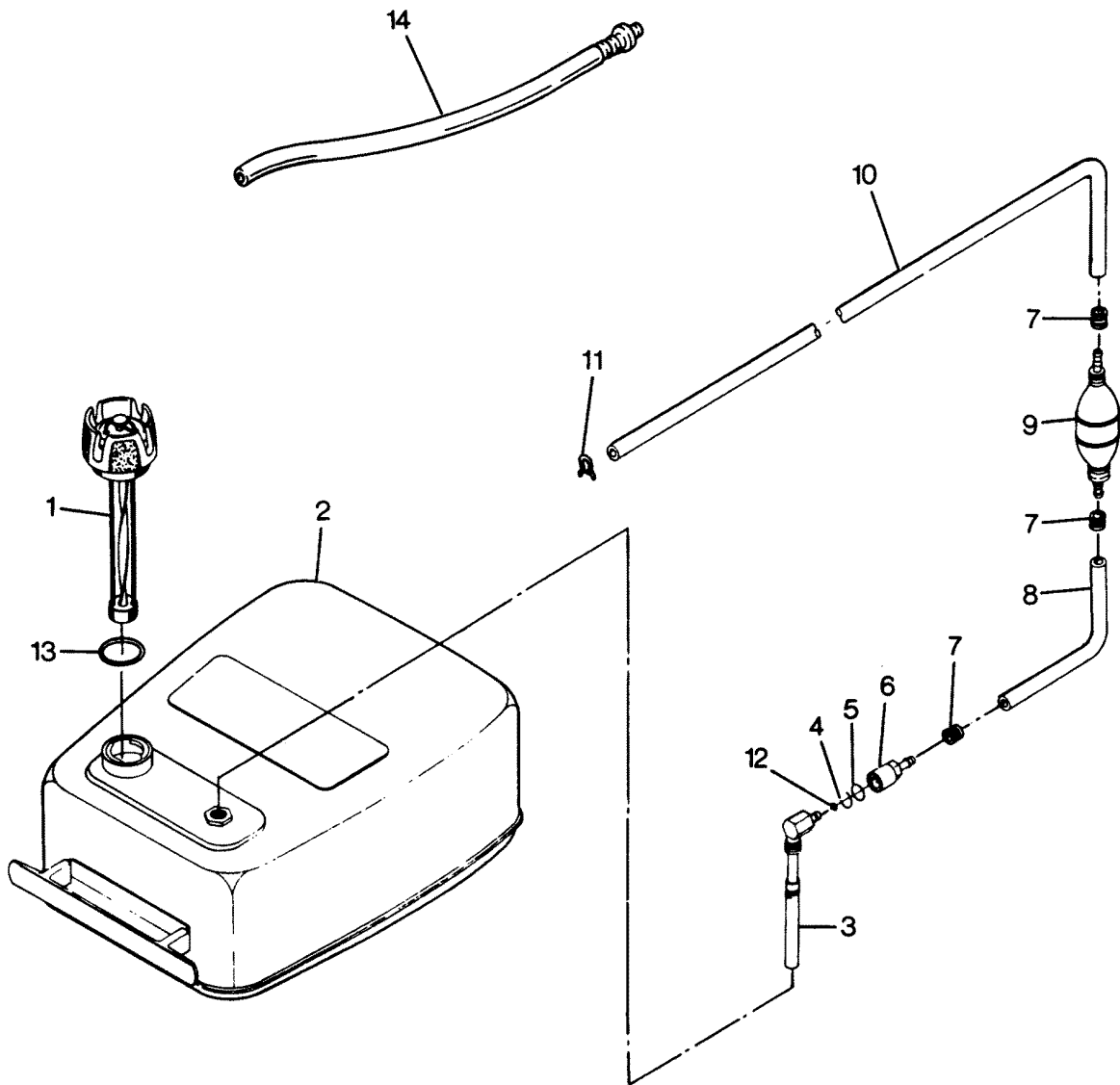
CONTINUED ON NEXT PAGE ➡



# REMOTE CONTROL

REF. NO.	PART NO.	SYM.	QTY.	DESCRIPTION
-	817928--1		1	IGNITION KEY - STAMPED D
-	817929--1		1	IGNITION KEY - STAMPED E
33	F660329		1	LANYARD, STOP SWITCH (CUT TYPE)
34	F702329		1	LANYARD, STOP SWITCH (FORK TYPE)
-	F5H198		-	REMOTE CONTROL COMPLETE - WIRED FOR POWER TRIM

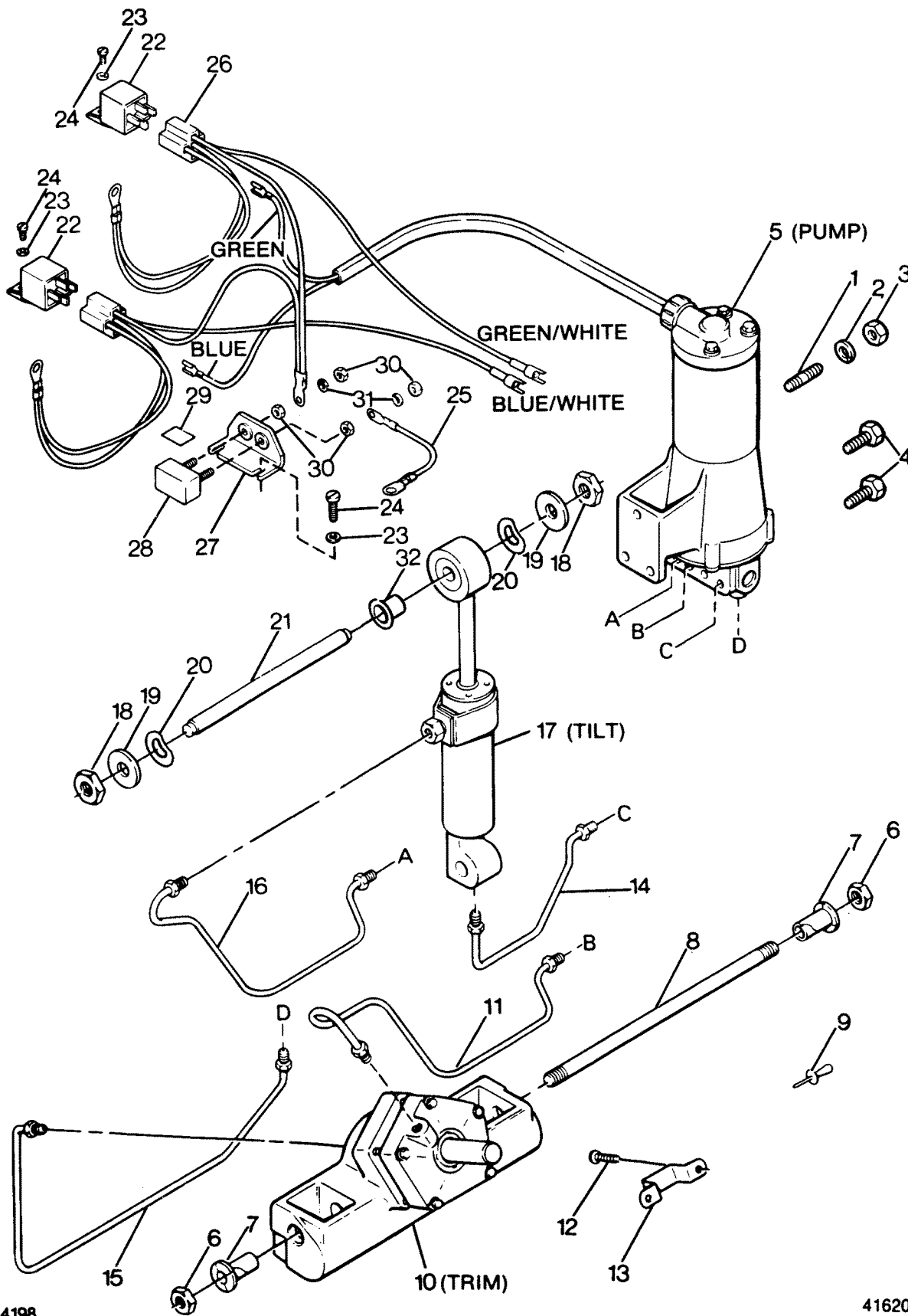
# FUEL TANK AND LINE



## FUEL TANK AND LINE

REF. NO.	PART NO.	SYM.	QTY.	DESCRIPTION
1	F409251-1		1	GAUGE CAP
2	F5H026-1		1	FUEL TANK (ACCESSORY ITEM) <b>W/ILLUS. 1 AND 3</b>
3	F485755-1		1	FUEL TANK ADAPTER
4	F17816		1	SEAL, FUEL LINE COUPLER (LARGE)
5	F17815		1	SEAL, FUEL LINE COUPLER (SMALL)
6	F197787-3		1	FUEL LINE COUPLER
7	F298788		3	FERRULE
8	FA84754-1		1	FUEL LINE SHORT W/FERRULES
9	89396A38		1	PRIME BULB
10	32-817738A1		1	FUEL LINE LONG <b>W/ILLUS. 7 AND 11 ORIGINAL FORCE P/N A 197752-1</b>
11	F97772		1	FULE LINE CLAMP
12	F17817		1	SEAL, FUEL TANK ADAPTER
13	F17818		1	GASKET
14	FA612754		1	FUEL LINE, SHORT (BAYLINER MODELS)
-	<b>FS409752</b>		1	<b>FUEL LINE COMPLETE (FORCE MODELS). INCLUDES ALL ITEMS MARKED WITH AN ASTERISK (*).</b>
-	<b>FA630752</b>		1	<b>FUEL LINE COMPLETE (BAYLINER MODELS). INCLUDES ALL ITEMS MARKED WITH AN ASTERISK (*).</b>

# POWER TRIM UNIT



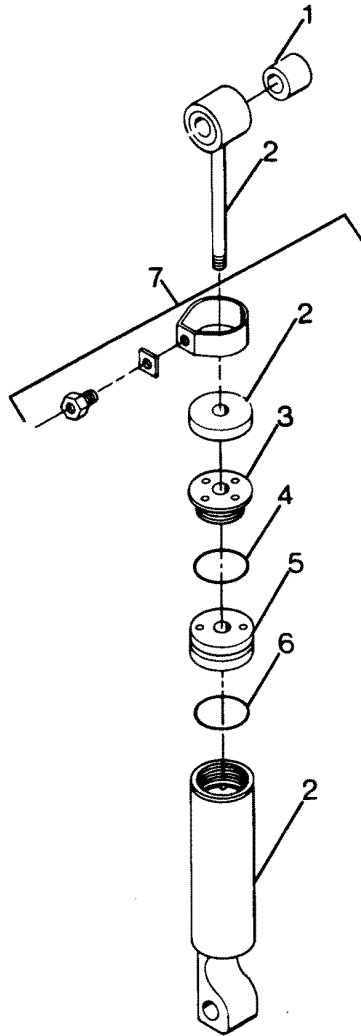
OB 4198

41620-013

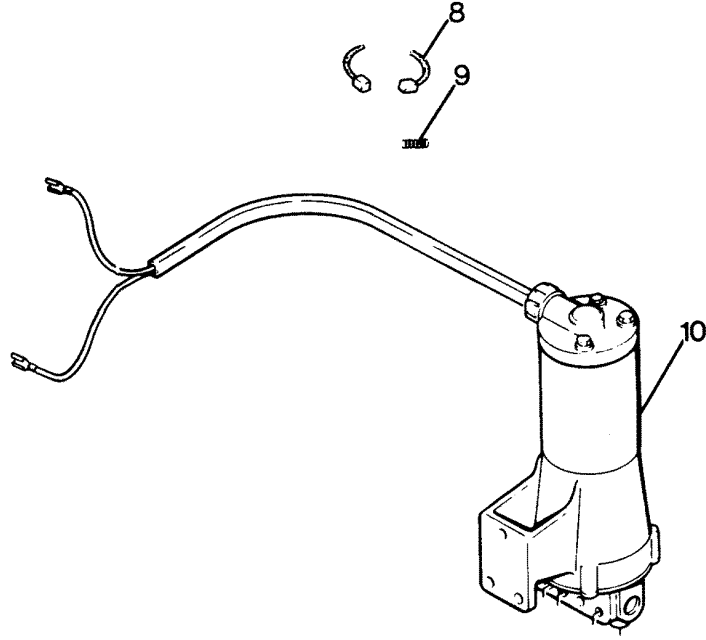
# POWER TRIM UNIT

REF. NO.	PART NO.	SYM.	QTY.	DESCRIPTION
1	F660273		1	STUD
2	F8096		1	WASHER, 5/16 LOCK
3	F1515		1	NUT, 5/16 - 18 HEX
4	F1822		2	SCREW, 5/16 - 18 X 7/8 HEX
5	F660541		1	PUMP/MOTOR ASSEMBLY
6	F7053		2	NUT, 5/8 - 18 STOP
7	F449362		2	BEARING, LOWER SHAFT
8	F449632		1	SHAFT, TRIM MOUNT
9	F1966		1	PLUG, PLASTIC
10	818055A3		1	TRIM CYLINDER COMPLETE
11	F660254		1	LINE, UPPER HYDRAULIC TRIM CYLINDER
12	F1734		2	SCREW, 1/4 - 20 X 1/2 W/SPRING LOCKWASHER
13	F449354		1	BRACKET, THRUST
14	F660754		1	LINE, LOWER HYDRAULIC TILT CYLINDER
15	F660253		1	LINE, LOWER HYDRAULIC TRIM CYLINDER
16	F660758		1	LINE, UPPER HYDRAULIC TILT CYLINDER
17	FS654381		1	TRIM CYLINDER COMPLETE
18	F1931		2	NUT, 1/2 - 20 STOP
19	F1710		2	WASHER, PLAIN
20	F1711		2	WASHER, BOWED SPRING
21	F449889		1	SHAFT, UPPER SHOCK
22	F660917		2	RELAY, POWER TRIM
23	F8011		4	WASHER, #10
24	F1760		4	SCREW, #10 - 24 X 3/8 PAN HM.
25	F660908		1	WIRE, RED
26	FA663744		1	WIRING HARNESS
27	F91446-1		1	BRACKET
28	F510460		1	BREAKER, CIRCUIT
29	F510374-1		1	DECAL, CIRCUIT BREAKER
30	F1513		4	NUT, #10 - 32 HEX
31	F1975		2	WASHER, #10 SPRING LOCK
32	F178344		2	BUSHING, SHOCK ABSORBER
-	<b>F5H196</b>		-	<b>POWER TRIM UNIT COMPLETE</b>

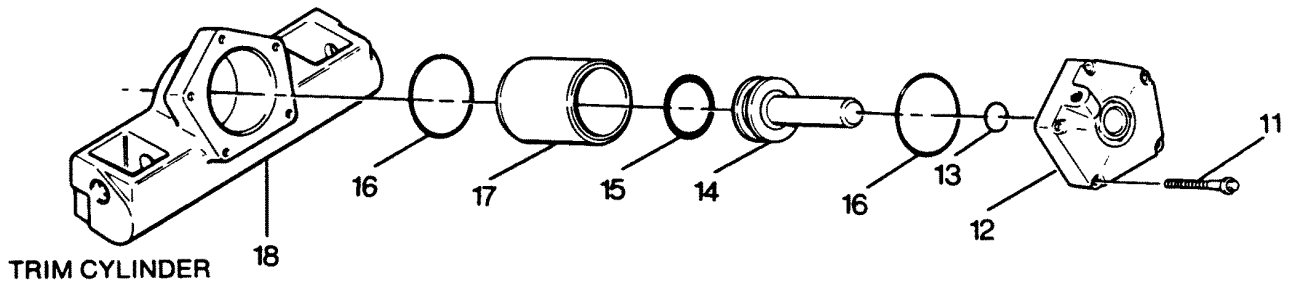
# PARTS BREAKDOWN TILT CYLINDER, TRIM CYLINDER, MOTOR & PUMP



TILT CYLINDER



MOTOR & PUMP



TRIM CYLINDER



## PARTS BREAKDOWN TILT CYLINDER, TRIM CYLINDER, MOTOR & PUMP

REF. NO.	PART NO.	SYM.	QTY.	DESCRIPTION
1	F178344		1	BUSHING
3	FA654055		1	HEAD ASSEMBLY
4	F654618		1	"O" RING
5	FA654015		1	PISTON ASSEMBLY
6	FA17561-1		1	"O" RING
7	F2A654983		1	CYLINDER BEND ASSEMBLY
8	F17611		1	BRUSH SET
9	F17500		1	SPRING SET, BRUSH
11	F1959		5	SCREW, 1/4-20 X 1-3/4, SS
12	817802A3		1	COVER
13	F449342		1	SEAL, PISTON SHAFT
14	FA449015		1	PISTON
15	F449278		1	PISTON SEAL
16	F40278		2	SEAL, CYLINDER
17	F449010		1	CYLINDER
18	F449545-2		1	CYLINDER HOUSING

## SPECIAL TOOLS - TUNE-UP

REF. NO.	PART NO.	SYM.	QTY.	DESCRIPTION
-	FTA2937-1		0	TIMING TOOL TO ADJUST TIMING POINTER.
-	FT8978		0	TIMING LIGHT FOR ADJUSTING IGNITION TIMING.
-	FT8948-1		0	PULLER TO REMOVE FLYWHEEL.

## SPECIAL TOOLS - POWER HEAD

REF. NO.	PART NO.	SYM.	QTY.	DESCRIPTION
-	FT2998		0	TORQUE WRENCH (0-100 LBS./FT.) TO TORQUE FLYWHEEL NUT.
-	FT2999		0	TORQUE WRENCH (0-600 LBS./IN.) TO TORQUE ALL FASTENERS.
-	FT2991		0	CARBON BRUSH TO REMOVE CARBON DEPOSITS FROM POWER HEAD.
-	FT8914		0	SEAL REMOVER TO REMOVE UPPER CRANKSHAFT BEARING CAGE SEAL.
-	FT8903		0	SEAL INSTALLER TO INSTALL UPPER CRANKSHAFT BEARING CAGE SEAL.
-	FT8907		0	DRIVER HANDLE USED WITH T 8903.
-	FT8925		0	SEAL INSTALLER TO INSTALL LOWER CRANKSHAFT SEAL.
-	FT2953		0	SOCKET TO TORQUE CONNECTING ROD SCREWS.
-	FT2990		0	PISTON PIN TOOL TO REMOVE AND INSTALL PISTON PINS.
-	FT2996		0	RING COMPRESSOR TO INSTALL PISTONS IN CYLINDER.
-	FT8926		0	RING EXPANDER TO INSTALL PISTON RINGS.
-	FT1082		0	SNAP RING PLIER TO REMOVE AND INSTALL DISTRIBUTOR RETAINING RING.
-	FT8933		0	LIFTING HOOK TO LIFT ENGINE.
-	FT8900		0	HOSE CLAMP PLIERS TO REMOVE FUEL LINE CLAMP.

## SPECIAL TOOLS - GEAR HOUSING

REF. NO.	PART NO.	SYM.	QTY.	DESCRIPTION
-	FT8948-1		0	PULLER TO REMOVE PROPELLER SHAFT SPOOL FROM GEAR HOUSING.
-	FT11209		0	BEARING GUIDE SET TO REMOVE/INSTALL FORWARD BEARING CUP.
-	FT8918		0	BEARING GUIDE SET TO BE USED WITH T 11209 BEARING GUIDE SET.
-	FT11207		0	BEARING CUP REMOVER TO REMOVE FORWARD BEARING CUP IN GEAR HOUSING.
-	FT11205		0	BEARING INSTALLER/REMOVER TO REMOVE AND INSTALL LOWER DRIVESHAFT BEARING.
-	FT11204		0	BEARING CUP INSTALLER TO INSTALL FORWARD BEARING CUP IN GEAR HOUSING.
-	FT8930-1		0	FEELER GAUGE SET TO USE IN SHIMMING LOWER UNIT.
-	FT8957		0	SEAL INSTALLER TO INSTALL SHIFT ROD SEAL.
-	FT8985		0	SEAL INSTALLER TO INSTALL PROPELLER SHAFT SEAL IN SPOOL.
-	FT8925		0	SEAL INSTALLER TO INSTALL DRIVESHAFT SEAL IN GEAR HOUSING COVER.
-	FT3012		0	SEAL INSTALLER TO INSTALL DRIVESHAFT SEAL IN WATER PUMP.
-	FTA8997		0	SHIM TOOL TO SHIM LOWER UNIT.
-	FT8901		0	INDICATOR HOLDER USED IN CONJUNCTION WITH TA 8997.
-	FT8902		0	DIAL INDICATOR USED IN CONJUNCTION WITH TA 8997.
-	FT8907		0	DRIVER HANDLE USED WITH T 11204, T 11205, T 11209.
-	FT8919		0	SPRING PIN PUNCH TO REMOVE CLUTCH SPRING PIN.
-	FT7848		0	TORQUE ADAPTER TO HOLD DRIVESHAFT SPLINE WHILE TORQUING.

## SPECIAL TOOLS - TEST EQUIPMENT

REF. NO.	PART NO.	SYM.	QTY.	DESCRIPTION
-	FT2951		0	CIRCUIT TRACER TO TROUBLESHOOT ELECTRICAL SYSTEM.
-	FTK8999		0	TEST WHEEL TO TEST MOTOR IN TEST TANK. ORIGINAL FORCE P/N TA 8999
-	FT8950		0	LEAKAGE TESTER TO TEST LOWER UNIT SEALS FOR LEAKAGE.
-	FT11260		0	SPARK TESTER TO TEST OUTPUT OF IGNITION SYSTEM.
-	FT2938-1		0	CONTINUITY TESTER TO TEST CIRCUITS FOR CONTINUITY.
-	FTA11259		0	MULTIMETER TO TEST ELECTRICAL COMPONENTS.

## SPECIAL TOOLS - LUBRICANTS AND SEALANTS

REF. NO.	PART NO.	SYM.	QTY.	DESCRIPTION
-	FT2961		0	LUBRICANT - RYKON GREASE #2EP
-	FT2987-1		0	LUBRICANT - ANTI-SEIZE
-	FT8969		0	LUBRICANT - 7 OZ. LPS-1 LUBRICANT
-	FT8955		0	SEALANT - 5 OZ. EC-750 INDUSTRIAL SEALANT
-	FT8983		0	SEALANT - 3 OZ. RTV SEALANT FORM IN PLACE GASKETS
-	FT8936-1		0	SEALANT - 2 CC LOCTITE RETAINING COMPOUND #75
-	FT2962-2		0	SEALANT - 50 CC LOCTITE H, NON-HARDENING GRADE
-	FT2963-2		0	SEALANT - 2 OZ. LOCTITE 271
-	FT8935		0	SEALANT PRIMER LOC QUIC T

# ACCESSORIES

REF. NO.	PART NO.	SYM.	QTY.	DESCRIPTION
-	F5H173		0	FLUSHING ADAPTER PERMITS FRESH WATER FLUSHING OF WATER PASSAGES WITH STANDARD GARDEN HOSE.
-	F5H198		0	REMOTE CONTROL - SURFACE MOUNT PERMITS REMOTE CONTROL OF THROTTLE AND GEAR SHIFT FROM STARBOARD SIDE OF BOAT. INCLUDES HANDLE MOUNTED TURN SWITCH.
-	F5H080		0	TWIN REMOTE CONTROL BOX PERMITS REMOTE CONTROL OF THROTTLE AND GEAR SHIFT - TWO ENGINES. CONSOLE MOUNTED.
-	F195/___		0	REMOTE CONTROL CABLES CONNECTS REMOTE CONTROL BOX TO THROTTLE AND GEAR SHIFT ON ENGINE. AVAILABLE IN 6 THROUGH 26 FOOT LENGTHS.
-	F5H108		0	STEERING CONNECTOR CLEVIS TYPE FOR BOAT MOUNTED STEERING AND NON-THREADED CABLE END.
-	F5H094		0	STEERING LINK KIT CONNECTS STEERING CABLE TO ENGINE WHEN USING ENGINE MOUNTED STEERING SYSTEM.
-	F5H018		0	DUAL STEERING CONNECTOR PERMITS DUAL ENGINE INSTALLATIONS.
-	F5H025		0	ANTI-CORROSION SACRIFICIAL ANODE KIT USED TO REDUCE CORROSION.
-	F5H043		0	OVERHEAT BUZZER SOUNDS WARNING BUZZER IF ENGINE OVERHEATS.
-	F5H161		0	POWER TRIM INDICATOR INDICATES ENGINE TRIM ANGLE.
-	F5H044		0	TILT STOP KIT LIMITS TILTING ANGLE.
-	F5H151		0	SHOCK ABSORBER KIT TO PROVIDE SHOCK PROTECTION WHEN HITTING UNDERWATER OBJECT.
-	F5H081		0	BATTERY CABLE LONGER LENGTH - 15 FEET.
-	F5H157		0	VOLTMETER - FLUSH MOUNT INDICATED BATTERY CONDITION.
-	F5H021		0	EXTENSION CABLE FOR LENGTHENING BATTERY CABLE 6-1/2 FEET.
-	F5H041		0	BATTERY TERMINAL KIT FOR POSITIVE AND NEGATIVE BATTERY POSTS.
-	F5H037		0	CIGAR LIGHTER FOR USE AS CONVENIENCE OUTLET.
-	5H158		0	FUEL GAUGE FLUSH MOUNT MONITORS FUEL SUPPLY.
-	5H145		0	HYDRAULIC TILT HYDRAULIC UNIT TO RAISE AND LOWER THE LOWER UNIT WHEN BEACHING OR TRAILERING BOAT.
-	F5H159		0	HOURMETER RECORDS ENGINE RUNNING TIME.
-	F5H077		0	IGNITION KEY SWITCH SHORT BARREL WITH KEYS.
-	F5H078		0	IGNITION KEY SWITCH LONG BARREL WITH KEYS.
-	F5H028		0	SENDING UNIT, FUEL TANK FOR USE WITH 5H158 FUEL GAUGE.
-	F5H156		0	TEMPERATURE GAUGE FLUSH MOUNT MONITORS ENGINE TEMPERATURE. DO NOT USE TEMPERATURE GAUGE AND HEAT LAMP IN SAME INSTALLATION.
-	F5H167		0	TACHOMETER FLUSH MOUNT MONITORS ENGINE R.P.M. TO PROVIDE CHECK OF ENGINE PERFORMANCE.

CONTINUED ON NEXT PAGE ➡

# ACCESSORIES

REF. NO.	PART NO.	SYM.	QTY.	DESCRIPTION
-	F5H155		0	SPEEDOMETER FLUSH MOUNT MONITORS BOAT SPEED (10 - 65 M.P.H.)
-	F5H154		0	SPEEDOMETER FLUSH MOUNT MONITORS BOAT SPEED (10 - 50 M.P.H.)
-	F5H115		0	TRAILERING TILT LOCK SECURES ENGINE IN HALF TILT POSITION FOR TRAILERING (WITHOUT TRIM AND TILT).
-	F5H179		0	TRAILERING TILT LOCK SECURES ENGINE IN HALF TILT POSITION FOR TRAILERING (WITH TRIM AND TILT).
-	F5H030		0	SWITCH KIT - RUNNING LIGHTS DASH MOUNTED TOGGLE SWITCH.
-	F5H031		0	SWITCH KIT - SPOT LIGHT DASH MOUNTED TOGGLE SWITCH.
-	F5H032		0	SWITCH KIT - WIPER DASH MOUNTED TOGGLE SWITCH.
-	F5H034		0	SWITCH KIT - BILGE PUMP DASH MOUNTED TOGGLE SWITCH.
-	F5H035		0	SWITCH KIT - HORN DASH MOUNTED TOGGLE SWITCH (MOMENTARY).
-	F5H036		0	SWITCH KIT - TACHOMETER TRANSFER DASH MOUNTED TOGGLE SWITCH FOR ONE TACHOMETER ON DUAL ENGINE INSTALLATION.
-	F5H039		0	SWITCH KIT - INSTRUMENT LIGHT DASH MOUNTED TOGGLE SWITCH.
-	F563		0	TERMINAL BLOCK KIT DOUBLE ROW 10 SECTION TO SIMPLIFY ACCESSORY INSTALLATION.
-			0	US MARINE OUTBOARD OIL SEE NOTE 1
-	F596-		0	PINT CANS SEE NOTE 1
-	F5H187		0	QUART BOTTLES SEE NOTE 1
-	597-		0	US MARINE OUTBOARD GEAR LUBE SEE NOTE 2
-	F5H191		0	FORCE BLUE ENAMEL ENGINE TOUCH-UP PAINT IN 13 OZ. AVERAGE SPRAY BOMBS (6 CANS PER CASE).
-	F5H192		0	FORCE BLUE ENAMEL ENGINE TOUCH-UP PAINT IN 1/2 OZ. BOTTLE WITH BRUSH IN CAP (12 BOTTLES PER BOX).
-	F5H194		0	CLEAR COAT ENAMEL ENGINE TOUCH-UP PAINT IN 13 OZ. AVERAGE SPRAY BOMBS (6 CANS PER CASE).
-	F5H211		0	MAXUM GRAY ENAMEL ENGINE TOUCH-UP PAINT IN 13 OZ. AVERAGE SPRAY BOMBS (6 CANS PER CASE).
-	F5H212		0	MAXUM GRAY ENAMEL



# PARTS INDEX

Part Number	Description	Pg.	Ref. No.	Part Number	Description	Pg.	Ref. No.
5H145	HYDRAULIC TILT . . . . .	61	-	F1346	HEX NUT . . . . .	23	29
5H158	FUEL GAUGE FLUSH MOUNT . . . . .	61	-	F1346	HEX NUT, 3/8 - 16 S.S. . . . .	35	10
817747--1	BALL JOINT W/STUD . . . . .	23	23	F1425	HEX CAP SCREW, 1/4 - 20 X 2-5/8 S.S. . . . .	43	63
817747--1	BALL JOINT W/STUD . . . . .	27	25	F1425	HEX CAP SCREW, 1/4 - 20 X 5/8 S.S. . . . .	45	-
817782--1	IGNITION KEY - NO LETTER OR STAMPED A . . . . .	47	3	F1473	NUT, 10 - 24 S.S. . . . .	25	18
817782--1	KEY IGNITION - NO LETTER OR STAMPED A . . . . .	13	19	F1491	HEX HD SCREW, 5/16 - 18 X 3/4 . . . . .	43	41
817783A5	SWIVEL BRACKET W/GREASE FITTINGS . . . . .	35	28	F1493	PAN HD. SCREW, 5/16 - 18 X 5/8 S.S. . . . .	11	4
817788A3	SPACER PLATE . . . . .	29	70	F1504	FILL HD. SCREW, 1/4 - 20 X 1-1/4 . . . . .	27	13
817802A3	COVER . . . . .	55	12	F1504	FILL HD. SCREW, 1/4 - 20 X 1-1/4 . . . . .	31	91
817883--1	IGNITION KEY - STAMPED B . . . . .	47	-	F1504	SLOTTED FIL SCREW, 1/4 - 20 X 1-1/4 S.S. . . . .	25	8
817883--1	KEY IGNITION - STAMPED B . . . . .	13	-	F1513	HEX NUT, 10 - 32 . . . . .	13	26
817891--1	IGNITION KEY - STAMPED C . . . . .	47	-	F1513	HEX NUT, 10 - 32 . . . . .	23	27
817891--1	KEY IGNITION - STAMPED C . . . . .	13	-	F1513	HEX NUT, 10 - 32 . . . . .	29	42
817928--1	IGNITION KEY - STAMPED D . . . . .	49	-	F1513	NUT, #10 - 32 HEX . . . . .	53	30
817928--1	KEY IGNITION - STAMPED D . . . . .	13	-	F1513	STOP NUTS (CABLE END) . . . . .	47	23
817929--1	IGNITION KEY - STAMPED E . . . . .	49	-	F1515	HEX NUT, 5/16 - 18 . . . . .	13	29
817929--1	KEY IGNITION - STAMPED E . . . . .	13	-	F1515	HEX NUT, 5/16 - 18 . . . . .	39	43
817960A2	TOWERSHAFT . . . . .	27	22	F1515	HEX NUT, S.S., 5-16 - 18 . . . . .	13	25
818055A3	TRIM CYLINDER COMPLETE . . . . .	53	10	F1515	NUT, 5/16 - 18 HEX . . . . .	53	3
89396A38	PRIME BULB . . . . .	51	9	F15152	LOCKWASHER . . . . .	17	18
F1009	HEX HD. SCREW, 3/8 - 16 X 2-3/4 . . . . .	27	3	F15158	SCREW, BRUSH HOLDER . . . . .	17	15
F1014	COTTER PIN . . . . .	19	11	F15160	INSULATOR WASHER . . . . .	17	16
F1015	COTTER PIN . . . . .	43	47	F15161	PLAIN WASHER . . . . .	17	17
F1034	PAN HD. SCREW, 1/4 - 20 X 1-3/8 . . . . .	19	33	F15162	NUT . . . . .	17	20
F1052	FILL HD. SCREW, 1/4 - 20 X 1 . . . . .	27	28	F15164	BRUSH KIT . . . . .	17	7
F1059	FILL HD SCREW, 6 - 32 X 1/4 . . . . .	19	15	F15174	DRIVE KIT . . . . .	17	1
F1064	FILL HD. SCREW, 8 - 32 X 3/8 . . . . .	19	37	F15175	DRIVE ASSEMBLY PINION . . . . .	17	2
F1107	SLOTTED FILL HD. CAP SCREW, 1/4 - 20 X 3/4 . . . . .	31	92	F15176	CAP STARTER DRIVE . . . . .	17	3
F1112	FILL HD SCREW, 1/4 - 20 X 7/8 . . . . .	41	20	F15177	ARMATURE . . . . .	17	4
F1203	HEX CAP SCREW, 1/4 - 20 X 7/8 . . . . .	11	25	F15178	THRU BOLT PACKAGE . . . . .	17	5
F1236	SCREW, 1/4 - 20 X 1/2 . . . . .	23	22	F15179	COMMUTATOR . . . . .	17	6
F1238	HEX CAP SCREW, 1/4 - 20 X 3/4 . . . . .	11	26	F1532	HEX HD. SCREW, 1/4 - 20 X 1 . . . . .	23	20
F1253	HEX SOCKET HD. CAP SCREW, 3/8 - 16 X 2 . . . . .	27	9	F1532	HEX HD. SCREW, 1/4 - 20 X 1 . . . . .	27	33
F1263	HEX SOCKET HD. CAP SCREW, 5/16 - 18 X 9/16 . . . . .	37	11	F1532	HEX HD. SCREW, 1/4 - 20 X 1 . . . . .	31	106
F1280	PAN HD. SCREW, 8 - 32 X 1/4 . . . . .	37	19	F1540	HEX HD SCREW, 1/4 - 20 X 5/8 GR. 5 . . . . .	25	21
F1280	SCREW (IGN. SWITCH WIRE TERMINAL) . . . . .	47	22	F1550	SLOTTED PAN HD. SCREW #12 - 24 X 1 . . . . .	15	60
F1280	SLOTTED PAN HD SCREW, 8 - 32 X 1/4 . . . . .	13	15	F1556	FILL HD. SCREW, W/LOCKWASHER, 10 - 24 X 3/8 . . . . .	27	29
F1286	PAN HD. SCREW, 4 - 40 X 3/16 . . . . .	27	37	F1641	LOCK NUT . . . . .	17	8
F1303	PAN HD SCREW, 8 - 32 X 3/4 . . . . .	15	70	F1645	HD. SCREW, 6 - 32 X 1/4 . . . . .	23	49
F1341	HEX NUT, 1/4 - 20 . . . . .	27	27	F1645	RD HD SCREW, 6 - 32 X 1/4 . . . . .	13	5
F1341	NUT . . . . .	17	19	F1645	SCREW, RD. HD., SELF-TAPPING, 6 - 32 X 1/4 . . . . .	47	31
F1341	NUT, 1/4 - 20 . . . . .	15	53	F1647	HEX NUT, 8 - 32 . . . . .	13	8
				F1648	PAN HD SCREW, 10 - 24 X 3/4 . . . . .	13	20

# PARTS INDEX

Part Number	Description	Pg.	Ref. No.	Part Number	Description	Pg.	Ref. No.
F1648	SCREW, FUEL SEDIMENT BOWL	25	6	F178404-1	DEFLECTOR PLATE	23	36
F1664	SPRING PIN	37	10	F178754-1	FUEL LINE	19	8
F1693	TIE BAR RETAINER NUT	19	36	F1788	STOP NUT	41	15
F1693	TINNERMAN NUT, 8-32	9	15	F1804	STOP NUT	29	75
F1696	HEX BOLT, 5/16 - 18 X 1	37	23	F18160-3	CYLINDER DRAIN REED	29	40
F1699	HEX BOLT, 1/4 - 20 X 1-1/8	31	94	F1822	HEX BOLT, 5/16 - 18 X 7/8	37	38
F1699	HEX HD. SCREW, 1/4 - 20 X 1-1/8	27	8	F1822	SCREW, 5/16 - 18 X 7/8 HEX	53	4
F1703	LOCKWASHER	29	68	F1829	FILL HD. SCREW, 10 - 24 X 7/8	27	23
F1703	SPRING, LOCKWASHER	37	32	F1831	FLAT HD. SCREW, 1/4 - 20 X 5/8	23	42
F1704	INTERNAL TOOTH LOCKWASHER	13	4	F1832	NUT, LOCK 1/4 - 20	15	57
F1704	LOCKWASHER	23	48	F1832	STOP NUT, 1/4 - 20	29	62
F1705	HEX CAP SCREW, 1/4 - 20 X 3/4 S.S.	41	1	F184033-1	SWIVEL, TOP CARBURETOR	19	14
F1705	HEX WASHER HD. M SCREW 1/4 - 20 X 3/4	15	68	F184122-1	SEAL	31	-
F1710	WASHER	35	3	F184122-1	SEAL, PARTING LINE	29	45
F1710	WASHER, PLAIN	53	19	F184579	O-RING SEAL	19	13
F1711	SPRING BOWED WASHER	35	17	F1854	HEX CAP SCREW, 1/4 - 20 X 5/8	11	9
F1711	WASHER, BOWED SPRING	53	20	F1854	HEX HD. CAP SCREW, 1/4 - 20 X 5/8	17	12
F1713	SPRING PIN	41	26	F1856	PLAIN WASHER	45	72
F1727	PLASTIC RIVET	27	24	F1857	HEX CAP SCREW, 5/16 - 18 X 5/8	11	18
F1729	PLUG	37	8	F1857	HEX CAP SCREW, 5/16 - 18 X 5/8	11	7
F1733	PAN HD. SCREW, 10-24 X 9/16	11	11	F1858	HEX CAP SCREW, 5/16 - 18 X 1	11	19
F1734	FILL HD. SCREW, 1/4 - 20 X 1/2	13	12	F1858	HEX CAP SCREW, 5/16 - 18 X 1	43	39
F1734	SCREW, 1/4 - 20 X 1/2 W/SPRING LOCKWASHER	53	12	F1860	SLOTTED BINDING HEAD SCREW, 6 - 32 X 1/4	25	25
F1741	PAN HD SCREW, 8 X 3/4	15	49	F1864	HEX CAP SCREW, 1/4 - 20 X 3/4	29	73
F1741	SCREW (TERMINAL BLOCK)	47	20	F1864	HEX HD. SCREW, 1/4 - 20 X 3/4	27	11
F1741	SCREW, PAN HD., 8-3/4	47	30	F1864	HEX SLOT HD. SCREW, 1/4 - 20 X 3/4	37	3
F17500	SPRING SET, BRUSH	55	9	F1866	PLAIN WASHER	41	16
F1755	ROUND HD. SCREW W/LOCKWASHER 6 - 32 X 1/4	23	38	F1869	HEX CAP SCREW, 3/8 - 16 X 1-1/4	29	67
F1760	SCREW, #10 - 24 X 3/8 PAN HM.	53	24	F1871	HEX HD. SCREW, 3/8 - 16 X 3/4	37	26
F1760	SLOTTED PAN HD SCREW, 10 - 24 X 3/8	15	40	F1871	HEX HD. SCREW, 3/8 - 16 X 3/4	37	33
F17611	BRUSH SET	55	8	F1872	HEX CAP SCREW, 3/8 - 16 X 1-3/4	27	12
F177330	VALVE, FUEL PUMP	25	24	F1873	HEX CAP SCREW, 3/8 - 16 X 3	27	7
F178145-4	COVER, MOTO LEG REAR	37	9	F1874	HEX HD. SCREW, 3/8 - 16 X 1/8	27	2
F17815	SEAL, FUEL LINE COUPLER (SMALL)	51	5	F1877	TY-RAP (NOT SHOWN)	15	64
F17816	SEAL, FUEL LINE COUPLER (LARGE)	51	4	F1885	HEX BOLTS. S.S., 5/16 - 18 X 4-1/4	29	55
F178168-1	CARBURETOR ADAPTER GASKET	31	-	F1885	HEX CAP SCREW, 5/16 - 18 X 4-1/4 S.S.	41	6
F178168-1	GASKET, CARBURETOR ADAPTER	23	35	F1904	WASHER	35	9
F17817	SEAL, FUEL TANK ADAPTER	51	12	F1907	PLAIN WASHER S.S.	41	7
F17818	GASKET	51	13	F19109	PLUG	29	78
F178323	SEAL	37	13				
F178344	BUSHING	35	5				
F178344	BUSHING	55	1				
F178344	BUSHING, SHOCK ABSORBER	53	32				

# PARTS INDEX

Part Number	Description	Pg.	Ref. No.	Part Number	Description	Pg.	Ref. No.
F1922	HEX CAP SCREW, 1/4 - 20 X 5/8 .....	17	10	F2012	WASHER .....	7	2
F1922	HEX CAP SCREW, 1/4 - 20 X 5/8 .....	29	52	F2012	WASHER .....	9	2
F1931	NUT, 1/2 - 20 STOP .....	53	18	F2014	WASHER .....	37	27
F1934	FLAT HD SCREW, 6 X 1/2 ..	13	21	F2015	HEX NUT, 1/4 - 28 .....	27	17
F1936	SPACER, BEVEL GEAR FRONT .059 .....	41	28	F2016	SLOTTED FILL HD SCREW, 6 - 32 X 7/8 .....	13	1
F1937	SPACER, BEVEL GEAR FRONT .062 .....	41	-	F2016	SLOTTED HD. FILL SCREW, 6 - 32 X 7/8 .....	23	47
F1938	SPACER, BEVEL GEAR FRONT .065 .....	41	-	F2018	LOCKNUT .....	37	29
F1939	SPACER, BEVEL GEAR FRONT .068 .....	41	-	F2030	HEX HD. CAP SCREW, 1/4 - 20 X 1-1/4 .....	39	44
F1940	SPACER, BEVEL GEAR FRONT .071 .....	41	-	F2030	HEX HD. SCREW, 1/4 - 20 X 1-1/4 .....	37	24
F1941	SPACER, BEVEL GEAR FRONT .074 .....	41	-	F2033	GROOVE PIN .....	19	3
F1942	SPACER, BEVEL GEAR FRONT .077 .....	41	-	F2042	PLAIN WASHER .....	29	59
F195/___	REMOTE CONTROL CABLE (SPECIFY LENGTH - X) ..	47	26	F2047	WAVE WASHER .....	11	21
F195/___	REMOTE CONTROL CABLES	61	-	F2049	HEX CAP SCREW, 5/16 - 18 X 2-5/8 .....	29	80
F1950	HEX CAP SCREW, 10 - 24 X 5/8 .....	31	98	F2067	PLASTIC CAP .....	33	22
F1959	SCREW, 1/4-20 X 1-3/4, SS ..	55	11	F2081	HEX SOC. HD SCREW, 1/4 - 20 X 3/4 .....	33	18
F1966	PLUG, PLASTIC .....	53	9	F2088	FASTENER .....	11	3
F1968	FLYWHEEL NUT .....	33	20	F2089	SLOTTED PAN HD. M. SCREW, 10 - 24 X 5/16 ..	29	60
F1968	HEX NUT, 3/4 - 16 .....	15	62	F2090	PLUG .....	29	71
F1975	LOCKWASHER .....	13	18	F2093	STOP NUT, 3/8 - 24 .....	37	15
F1975	LOCKWASHER .....	25	14	F2106	LOCKWASHER .....	15	55
F1975	WASHER, #10 SPRING LOCK	53	31	F2108	STOP NUT, 5/16 - 18 .....	29	61
F197787-3	FUEL LINE COUPLER .....	51	6	F2113	SPACER, BEVEL GEAR FRONT .080 .....	41	-
F1987	PLAIN WASHER .....	29	81	F2114	SPACER, BEVEL GEAR FRONT .083 .....	41	-
F1987	WASHER, .....	37	30	F2115	SPACER, BEVEL GEAR FRONT .086 .....	41	-
F1990	HEX CAP SCREW, 1/4 - 20 X 1-5/8 S.S. ....	43	61	F2116	SPACER, BEVEL GEAR FRONT .089 .....	41	-
F1990	HEX CAP SCREW, 1/4 - 20 X 1-5/8 S.S. ....	45	-	F2121	SPACER, BEVEL GEAR FRONT .057 .....	41	-
F1994	HEX SOCKET HD CAP SCREW, 5/16 - 18 X 1 ..	43	37	F2122	SPACER, BEVEL GEAR FRONT .054 .....	43	-
F1997	STOP NUT, 8 - 32 .....	21	47	F213274	GREASE FITTING .....	35	20
F1999	HEX CAP SCREW, 1/4 - 20 X 7/8 S.S. ....	43	55	F2143	HEX SOC. HD. SCREW, 1/4 - 20 X 1 S.S. ....	3	3
F2000	HEX CAP SCREW, 5/16 - 18 X 3/4 .....	31	104	F2143	HEX SOC. HD. SCREW, 1/4 - 20 X 1 S.S. ....	5	3
F2008	HEX CAP SCREW, 1/4 - 20 X 7/8 .....	31	82	F2143	HEX SOC. HD. SCREW, 1/4 - 20 X 1 S.S. ....	7	3
F2008	HEX HD. M. SC., 1/4 - 20 X 7/8 .....	15	44	F2143	HEX SOC. HD. SCREW, 1/4 - 20 X 1 S.S. ....	9	3
F2008	HEX HD. SCREW, 1/4 - 20 X 7/8 .....	23	43	F215962	MOUNT (SHOCK - C.D. UNIT)	13	32
F2008	HEX HD. SCREW, 1/4 - 20 X 7/8 .....	27	5	F2185	HEX HD. SCREW, 3/8 - 16 X 3-1/2 S.S. ....	35	8
F2008	HEX HD. SCREW, 1/4 - 20 X 7/8 .....	27	6	F2216	HEX SOC. HD. SCREW, 8-32 X 1/2 S.S. ....	9	13
F2008	SLOTTED PAN HD SCREW 1/4 - 20 X 7/8 .....	15	47	F24278	PROPELLER SHAFT SPOOL SEAL .....	45	-
F2012	WASHER .....	3	2	F24278	SEAL, O-RING PROPELLER SHAFT SPOOL .....	41	10
F2012	WASHER .....	5	2	F269319	THROTTLE CAM BEARING ..	23	26

# PARTS INDEX

Part Number	Description	Pg.	Ref. No.	Part Number	Description	Pg.	Ref. No.
F286818	BEARING, LATCH SHAFT	11	16	F404310	ELBOW, RECIRCULATING	25	19
F289446-1	CLAMP, REMOTE ELEC. CABLE TO BRACKET	13	11	F404314	FITTING	29	54
F298788	FERRULE	51	7	F404801	ELBOW, CYLINDER DRAIN UPPER (NOT SHOWN)	27	-
F2A476757	CYLINDER DRAIN REED PLATE	29	41	F404841	CABLE, HEAT INDICATOR	15	52
F2A523239	SPOOL, PROPELLER SHAFT BEARING	41	11	F404841	CABLE, OVERHEAT BUZZER	47	28
F2A523662	BEVEL GEAR REAR W/BEARING CAGE, SPACER AND BEARING	41	22	F405457	PIVOT SCREW	27	31
F2A550706	GEAR HOUSING COVER	43	53	F406406	DEFLECTOR PLATE GASKET	31	-
F2A615144	CRANKSHAFT BEARING CAGE	33	17	F406406	GASKET DEFLECTOR PLATE	23	37
F2A654983	CYLINDER BEND ASSEMBLY	55	7	F406471-1	CYLINDER DRAIN COVER	27	35
F2A664746	FUEL PUMP COMPLETE	25	-	F406754-1	HOSE	29	53
F2C686712	(ENGINE COVER, COMPLETE	3	-	F40689-1	BEARING	29	69
F2C686712	ENGINE COVER, COMPLETE	5	-	F407446	CLAMP	13	33
F2C686712	ENGINE COVER, COMPLETE	7	-	F409251-1	GAUGE CAP	51	1
F307317	CLIP, TERMINAL BLOCK GROUND	13	17	F428096	RETAINER, THERMOSWITCH	15	74
F316579	SEAL, CRANKCASE	33	11	F433209-1	THROTTLE CAM STUD	23	32
F316599	SEAL	35	21	F438066	BY-PASS VALVE COVER	31	99
F319908	WIRE, GROUND (C.D. - COIL BRACKET)	15	56	F438129	SEAL, DRIVESHAFT SPLINE	45	71
F322273	STUD	15	75	F438169	BEARING	35	24
F333316	THROTTLE ROLLER SHAFT	21	45	F438271	RETAINER, CRANKSHAFT SPLINE SEAL	45	70
F335215	SPACER, PISTON PIN (2 PER PISTON)	33	3	F438346	MOUNT, LOWER SHOCK	37	35
F335217-1	BEARING PISTON PIN (26 PER SET)	33	5	F438500	BOWL, FUEL SEDIMENT	25	5
F335654-1	DEFLECTION STOP	11	20	F438617	GASKET, FUEL SEDIMENT BOWL	25	3
F338618-1	GEAR SHIFT ROD SEAL	45	-	F438653	SCREEN, FUEL PUMP	25	4
F338618-1	SEAL, GEAR SHIFT ROD	43	56	F438668	RETAINER	15	66
F345683	WIRE, GROUND (RECTIFIER TO STARTER BOLT)	15	51	F438747	DIAPHRAGM, FUEL PUMP	25	15
F351307	SEAL, WATER PUMP	43	64	F438754	FUEL LINE	19	16
F353480	STUD	35	11	F438754	FUEL LINE, PUMP TO CARBURETOR	25	10
F369610	BEARING	29	64	F438760	GASKET, FUEL PUMP	25	16
F369887	SHOULDER SCREW	29	65	F438801	ELBOW	25	11
F369977-1	INTERLOCK ARM	29	63	F438930	RETAINER, SNOUT	43	36
F372151-1	EXHAUST PORT PLATE	31	97	F438962	MOUNT, LOWER REAR SHOCK	37	12
F372152-2	EXHAUST PORT COVER	31	95	F440192-1	THROTTLE CAM	23	28
F372154-1	EXHAUST PLATE GASKET	31	-	F440209	CARBURETOR STUD	23	30
F372154-1	GASKET, EXHAUST PORT PLATE	31	96	F440254	BALANCE TUBE	23	34
F372958	CHOKE BRACKET	23	19	F440906	CARBURETOR GASKET	23	31
F381896-4	BATTERY CABLE	13	34	F440906	CARBURETOR GASKET	31	-
F391926-1	PLUNGER	19	5	F440925	CHOKE ROD	19	4
F3A523158	REED PLATE	23	41	F441754-1	HOSE, RECIRCULATION	25	27
F40223	GASKET, TRANSFER PORT COVER	25	22	F449010	CYLINDER	55	17
F40223	GASKET, TRANSFER PORT COVER	29	50	F449278	PISTON SEAL	55	15
F40223	TRANSFER PORT COVER GASKET	31	-	F449342	SEAL, PISTON SHAFT	55	13
F40278	SEAL, CYLINDER	55	16	F449354	BRACKET, THRUST	53	13
F404268	BY-PASS VALVE SPRING	31	101	F449362	BEARING	35	15
				F449362	BEARING, LOWER SHAFT	53	7
				F449545-2	CYLINDER HOUSING	55	18
				F449632	SHAFT, TRIM MOUNT	53	8
				F449889	SHAFT, UPPER SHOCK	53	21
				F475504	GROMMET	15	42
				F476066-1	THERMOSTAT COVER	31	90
				F476067	GASKET	31	87
				F476067	THERMOSTAT COVER GASKET	31	-

# PARTS INDEX

Part Number	Description	Pg.	Ref. No.	Part Number	Description	Pg.	Ref. No.
F476529-1	CYLINDER HEAD GASKET . . . . .	29	76	F523451	SPACER, REED STOP . . . . .	23	50
F476529-1	CYLINDER HEAD GASKET . . . . .	31	-	F523498	DRIVE KEY, WATER PUMP . . . . .	45	68
F480107-1	CAM STARTER INTERLOCK . . . . .	29	57	F523498	KEY . . . . .	45	-
F480388	WATER PUMP LOCATING . . . . .	43	62	F523555	GEAR HOUSING COVER . . . . .		
F481434	GUIDE, ENGINE COVER . . . . .	11	1		SEAL . . . . .	45	-
F481777	CAM, LATCH SHAFT . . . . .	11	22	F523555	SEAL, O-RING, GEAR . . . . .		
F485755-1	FUEL TANK ADAPTER . . . . .	51	3		HOUSING COVER . . . . .	43	49
F489551	BRACKET NEUTRAL . . . . .			F523562	PLATE, WATER PUMP . . . . .	45	-
	INTERLOCK SWITCH . . . . .	23	44	F523562	WATER PUMP BACK PLATE . . . . .	43	58
F491689-1	BEARING TOWERSHAFT . . . . .			F523705	GEAR SHIFT ROD LOWER . . . . .	43	46
	UPPER . . . . .	31	109	F523813	BEARING CUP . . . . .	43	30
F498618	GEAR SHIFT ARM PIN SEAL . . . . .	45	-	F523899	GROMMET, WATERLINE . . . . .	41	4
F498618	SEAL . . . . .	43	33	F523930	RETAINER . . . . .	37	21
F498891	PIN, GEAR SHIFT ARM . . . . .	43	32	F523961	CRUSH RING . . . . .	43	50
F499026	SWIVEL . . . . .	27	16	F525629	COTTER PIN . . . . .	35	1
F499035	END, CONTROL ROD (TO . . . . .			F528068	THERMOSTAT . . . . .	31	88
	TOWERSHAFT) . . . . .	27	18	F530160	REED (5 PETAL) . . . . .	23	40
F499036	END, CONTROL ROD (TO . . . . .			F532299	WASHER, PROPELLER . . . . .		
	TRIGGER) . . . . .	27	21		SPLINE . . . . .	41	17
F500244	INLET WATER LINE (25 INCH . . . . .	41	-	F549189	BUSHING, ELECTRIC CABLE . . . . .	11	12
	MODELS) . . . . .			F563	TERMINAL BLOCK KIT . . . . .	62	-
F500615	ROD, GEAR SHIFT UPPER . . . . .			F58685-2	CONNECTOR (SHIFT) . . . . .	47	25
	(25 INCH MODELS) . . . . .	37	-	F589061-1	CARBURETOR COMPLETE . . . . .		
F500894	POINTER, TIMING . . . . .	23	51		(TOP) . . . . .	19	-
F50109	PLUG . . . . .	45	78	F591843	CABLE (25' REMOTE ELECT. . . . .		
F50342-1	BEARING CAGE BOLT SEAL . . . . .	45	-		- 10 WIRE) . . . . .	47	-
F50342-1	SEAL, BEARING CAGE . . . . .			F598387	DECAL, AIR FLOW . . . . .	39	47
	BOLTS . . . . .	41	8	F5H018	DUAL STEERING . . . . .		
F506118	PROPELLER SHAFT SEAL . . . . .	45	-		CONNECTOR . . . . .	61	-
F506118	SEAL, DRIVESHAFT . . . . .	43	52	F5H021	EXTENSION CABLE . . . . .	61	-
F506118	SEAL, PROPELLER SHAFT . . . . .	41	9	F5H025	ANTI-CORROSION . . . . .		
F510374-1	DECAL, CIRCUIT BREAKER . . . . .	13	37		SACRIFICIAL ANODE . . . . .	61	-
F510374-1	DECAL, CIRCUIT BREAKER . . . . .	53	29	F5H026-1	FUEL TANK (ACCESSORY . . . . .		
F510460	BREAKER, CIRCUIT . . . . .	53	28		ITEM) . . . . .	51	2
F510460	CIRCUIT BREAKER . . . . .	13	38	F5H028	SENDING UNIT, FUEL TANK . . . . .	61	-
F511125-2	TUBE, STEERING SUPPORT . . . . .	35	19	F5H030	SWITCH KIT - RUNNING . . . . .		
F511708-1	COVER, CARBURETOR . . . . .	19	32		LIGHTS . . . . .	62	-
F522056	BEARING . . . . .	45	77	F5H031	SWITCH KIT - SPOT LIGHT . . . . .	62	-
F523031	GASKET, WATER PUMP . . . . .	43	57	F5H032	SWITCH KIT - WIPER . . . . .	62	-
F523031	GASKET, WATER PUMP . . . . .	45	-	F5H034	SWITCH KIT - BILGE PUMP . . . . .	62	-
F523057	BEARING, DRIVESHAFT . . . . .			F5H035	SWITCH KIT - HORN . . . . .	62	-
	LOWER . . . . .	43	66	F5H036	SWITCH KIT - TACHOMETER . . . . .		
F523065-1	IMPELLER . . . . .	45	-		TRANSFER . . . . .	62	-
F523065-1	WATER PUMP IMPELLER . . . . .	43	59	F5H037	CIGAR LIGHTER . . . . .	61	-
F523099-1	SPACER, PROPELLER . . . . .	41	19	F5H038	IGNITION SWITCH . . . . .		
F523116-1	EXHAUST SNOUT . . . . .	43	38		MOUNTING KIT . . . . .	13	22
F523133-2	MOTOR LEG (20 INCH . . . . .			F5H039	SWITCH KIT - INSTRUMENT . . . . .		
	MODELS) . . . . .	37	14		LIGHT . . . . .	62	-
F523146-1	SEAL, CRANKSHAFT . . . . .			F5H041	BATTERY TERMINAL KIT . . . . .	61	-
	LOWER . . . . .	33	13	F5H041	BATTERY TERMINAL KIT . . . . .		
F523146-1	SEAL, CRANKSHAFT UPPER . . . . .	33	19		(ACCESSORY ITEM) . . . . .	15	48
F523188	NUT, BEVEL PINION . . . . .			F5H043	BUZZER, HEAT INDICATOR . . . . .	15	50
	RETAINING . . . . .	43	34	F5H043	OVERHEAT BUZZER . . . . .	61	-
F523244	INLET WATERLINE (20 INCH . . . . .			F5H044	TILT STOP KIT . . . . .	61	-
	MODELS) . . . . .	41	5	F5H073	BUZZER, OVERHEAT . . . . .		
F523273	STUD . . . . .	37	22		(ACCESSORY ITEM) . . . . .	47	29
F523274	GREASE FITTING . . . . .	35	18	F5H077	IGNITION KEY SWITCH . . . . .	61	-
F523280	NUT . . . . .	35	25	F5H077	SWITCH (ACCESSORY . . . . .		
F523300-1	SPRING . . . . .	37	18		ITEM) . . . . .	47	21
F523411	RETAINING RING . . . . .	41	23	F5H078	IGNITION KEY SWITCH . . . . .	61	-

# PARTS INDEX

Part Number	Description	Pg.	Ref. No.	Part Number	Description	Pg.	Ref. No.
F5H078	SWITCH, IGNITION , LONG BARREL W/KEYS AND SCREWS	13	16	F654618	"O" RING	55	4
F5H080	TWIN REMOTE CONTROL BOX	61	-	F654924	CHOKE SOLENOID	13	36
F5H081	BATTERY CABLE	61	-	F658803	GASKET, SPACER PLATE	25	2
F5H094	STEERING LINK KIT	37	16	F658836	SPACER, FUEL PUMP	25	17
F5H094	STEERING LINK KIT	61	-	F660141	CONNECTOR (CABLE - REMOTE CONTROL)	47	15
F5H108	STEERING CONNECTOR	61	-	F660165	SCREW (LEVER TO ACTUATOR)	47	3
F5H115	TRAILERING TILT LOCK	62	-	F660189	BUSHING, CABLE ENTRY	11	13
F5H151	SHOCK ABSORBER KIT	61	-	F660253	LINE, LOWER HYDRAULIC TRIM CYLINDER	53	15
F5H154	SPEEDOMETER FLUSH MOUNT	62	-	F660254	LINE, UPPER HYDRAULIC TRIM CYLINDER	53	11
F5H155	SPEEDOMETER FLUSH MOUNT	62	-	F660273	STUD	53	1
F5H156	TEMPERATURE GAUGE FLUSH MOUNT	61	-	F660327	ACTUATOR (ASSEMBLY - REMOTE CONTROL)	47	14
F5H157	VOLTMETER - FLUSH MOUNT	61	-	F660329	LANYARD, STOP SWITCH (CUT TYPE)	49	33
F5H159	HOURMETER	61	-	F660332	PLUG (WARM-UP BUTTON)	47	4
F5H161	POWER TRIM INDICATOR	61	-	F660353	CABLE ACCESSORY	47	8
F5H167	TACHOMETER FLUSH MOUNT	61	-	F660411	RING (RETAINING)	47	16
F5H173	FLUSHING ADAPTER	61	-	F660446	CLAMP (REMOTE ELECT. CABLE)	47	6
F5H179	TRAILERING BRACKET	35	2	F660480	SCREW (COVER TO ACTUATOR)	47	9
F5H179	TRAILERING TILT LOCK	62	-	F660497	BLOCK (TERMINAL)	47	19
F5H187	QUART BOTTLES	62	-	F660504	GROMMET (REMOTE ACCESSORY CABLE)	47	7
F5H191	FORCE BLUE ENAMEL	62	-	F660541	PUMP/MOTOR ASSEMBLY	53	5
F5H192	FORCE BLUE ENAMEL	62	-	F660595	WASHER (CONTROL MTG. SCREWS)	47	11
F5H193	CABLE (7' EXTENSION FOR 10 WIRE REMOTE ELECTRIC CABLE)	47	-	F660602	SWITCH (EMERGENCY STOP)	47	2
F5H194	CLEAR COAT ENAMEL	62	-	F660611	LEVER W/TRIM SWITCH	47	1
F5H196	POWER TRIM UNIT COMPLETE	53	-	F660642	RETAINER (REMOTE CABLE)	47	13
F5H198	REMOTE CONTROL - SURFACE MOUNT	61	-	F660664	WIRE (IGN. SWITCH TO ACC. TERMINAL BLOCK)	47	27
F5H198	REMOTE CONTROL COMPLETE - WIRED FOR POWER TRIM	49	-	F660732	SCREW (CONTROL MOUNTING)	47	10
F5H211	MAXUM GRAY ENAMEL	62	-	F660751	SCREW (PLATE TO ACTUATOR)	47	17
F5H212	MAXUM GRAY ENAMEL	62	-	F660754	LINE, LOWER HYDRAULIC TILT CYLINDER	53	14
F615475	IGNITION COIL	15	46	F660758	LINE, UPPER HYDRAULIC TILT CYLINDER	53	16
F616675	STARTER BRACKET LOWER	17	11	F660843	CABLE (15-1/2' REMOTE ELECT.)	47	5
F616955	STARTER COMPLETE.	17	14	F660908	WIRE, RED	53	25
F629449	THERMOSWITCH	13	6	F660911	PLATE (REMOTE CONTROL)	47	18
F631133	MOTOR LEG (25 INCH MODELS)	37	-	F660917	RELAY, POWER TRIM	53	22
F631606	CAP, KING PIN (25 INCH MODELS)	37	41	F660995	COVER (ASSEMBLY - REMOTE CONTROL)	47	12
F631707	COVER, SHOCK MOUNT LOWER (25 INCH MODELS)	39	42	F663038	SUPPORT PLATE	11	14
F650450	RECTIFIER	13	9	F663095	ALTERNATOR STATOR	15	59
F653301-1	MODULE	15	45	F663269	HANDLE, TILT	3	4
F653744	WIRING HARNESS	13	14	F663269	HANDLE, TILT	5	4
F654029	TRIGGER ASSY.	15	58	F663269	HANDLE, TILT	7	4
F654398	DECAL, 4 CYL. WIRING	15	71	F663269	HANDLE, TILT	9	4
F654497	TERMINAL BLOCK (12 POSITION)	15	73	F663366	MEDALLION-FORCE	3	10

# PARTS INDEX

Part Number	Description	Pg.	Ref. No.	Part Number	Description	Pg.	Ref. No.
F663366	MEDALLION-FORCE	5	10	F8011	PLAIN WASHER	13	39
F663366	MEDALLION-FORCE	7	10	F8011	WASHER, #10	53	23
F663366	MEDALLION-FORCE	9	10	F8028	PLAIN WASHER	15	43
F663480	RETAINER	11	10	F8038	PLAIN WASHER	27	4
F663756	PACKING	11	8	F8038	WASHER	37	17
F663774-1	BRACKET, ENGINE COVER			F8056	SPRING LOCKWASHER	13	7
	LATCH	11	2	F8058	INTERNAL TOOTH		
F663843	CABLE (19' REMOTE ELECT.				LOCKWASHER	23	24
	- 10 WIRE)	47	-	F8077	WASHER	45	-
F663984	BLANKET, TOP (NOT			F8077	WASHER, GEAR HOUSING		
	SHOWN)	3	-		PLUG	43	43
F663984	BLANKET, TOP (NOT			F8080	SPRING LOCKWASHER	37	20
	SHOWN)	5	-	F8083	LOCKWASHER	11	24
F663984	BLANKET, TOP (NOT			F8083	LOCKWASHER	25	7
	SHOWN)	7	-	F8083	LOCKWASHER	45	76
F663984	BLANKET, TOP (NOT			F8083	SPRING LOCKWASHER	15	63
	SHOWN)	9	-	F8083	SPRING LOCKWASHER	17	13
F664061	CARBURETOR COMPLETE			F8083	SPRING LOCKWASHER	37	2
	(BOTTOM)	19	27	F8083	SPRING LOCKWASHER	43	54
F664384	CLIP, TERMINAL BLOCK			F8083	SPRING LOCKWASHER	45	-
	COVER	15	72	F8088	PLAIN WASHER	13	2
F664386	DECAL, "125"	3	11	F8088	PLAIN WASHER	19	12
F664386	DECAL, "125"	5	11	F8088	PLAIN WASHER	23	46
F664672	COVER, TERMINAL BLOCK	15	76	F8090	PLAIN WASHER	13	28
F664843	CABLE (22' REMOTE ELECT.			F8094	WASHER	11	23
	- 10 WIRE)	47	-	F8095	PLAIN WASHER	29	48
F664985	BLANKET, SIDE (NOT			F8096	SPRING LOCKWASHER	11	17
	SHOWN)	3	-	F8096	SPRING LOCKWASHER	11	6
F664985	BLANKET, SIDE (NOT			F8096	SPRING LOCKWASHER	13	24
	SHOWN)	5	-	F8096	SPRING LOCKWASHER	31	105
F664985	BLANKET, SIDE (NOT			F8096	SPRING LOCKWASHER	37	37
	SHOWN)	7	-	F8096	SPRING LOCKWASHER	43	40
F664985	BLANKET, SIDE (NOT			F8096	WASHER, 5/16 LOCK	53	2
	SHOWN)	9	-	F8104	PLAIN WASHER	27	10
F665387	DECAL, "US MARINE"	3	7	F8124	PLAIN WASHER	13	31
F665387	DECAL, "US MARINE"	5	7	F84074	FOOT, CLAMP SCREW	35	12
F685387	DECAL, "US MARINE"	9	7	F84286-1	FRICITION WASHER	35	22
F685528-1	DECAL, REAR	3	12	F84305	PROPELLER SHAFT		
F685681	SCOOP, AIR	9	12		SPOOLS SEAL	45	-
F685892-1	DECAL, FRONT	3	6	F84305	SEAL, PROPELLER SHAFT		
F686396	DECAL, STARBOARD	3	9		BEARING SPOOL	41	12
F686397	DECAL, PORT	3	5	F84307-1	DRIVE SHAFT SEAL	45	-
F686660	STAND TUBE	37	25	F84314-2	ELBOW	29	46
F7004	STOP NUT, 3/8 - 16	29	49	F84314-2	ELBOW - TOP		
F7008	ELASTIC STOP NUT	27	32		CARBURETOR	19	9
F7008	STOP NUT, 1/4 - 20	23	25	F84342	SEAL, INLET WATERLINE,		
F7009	LOCK NUT, #10 - 24	31	107		UPPER	41	3
F7012	STOP NUT	35	7	F84449	INTERLOCK SWITCH	23	45
F702329	LANYARD, STOP SWITCH			F84449	NEUTRAL INTERLOCK		
	(FORK TYPE)	49	34		SWITCH	13	3
F7024	STOP NUT, 1/4 - 20	3	1	F84472-5	CYLINDER DRAIN COVER		
F7024	STOP NUT, 1/4 - 20	5	1		GASKET	31	-
F7024	STOP NUT, 1/4 - 20	7	1	F84472-5	GASKET, CYLINDER DRAIN		
F7024	STOP NUT, 1/4 - 20	9	1		COVER	27	36
F7053	NUT, 5/8 - 18 STOP	53	6	F84504	GROMMET (THERMOSTAT)	31	89
F74305	GEAR HOUSING COVER			F84521-2	CLUTCH	41	27
	SEAL	45	-	F84748-3	CYLINDER DRAIN REED		
F74305	SEAL, DRIVESHAFT				PLATE GASKET	31	-
	BEARING CAGE	43	51	F84748-3	GASKET, CYL. DRAIN REED		
F8003	PLAIN WASHER	27	38		PLATE	29	44

# PARTS INDEX

Part Number	Description	Pg.	Ref. No.	Part Number	Description	Pg.	Ref. No.
F84792	GASKET, FUEL PUMP VALVE	25	23	F9097	SHIM, DRIVESHAFT BEARING, UPPER .010 - BLACK	43	-
F84871-1	PIN, GEAR SHIFT	41	25	F9106	SHIM, DRIVESHAFT BEARING, UPPER .003 - BRASS	43	67
F85017	PISTON PIN	33	4	F91446-1	BRACKET	53	27
F85033	SWIVEL, CHOKE ROD (BOTTOM CARBURETOR) (NOT SHOWN)	19	-	F91446-1	CIRCUIT BREAKER BRACKET	15	41
F85037-1	BOLT, STERN BRACKET PIVOT	35	27	F92759	THROTTLE ROLLER	21	46
F85117	BRACKET, WATERLINE	41	2	F93811	SCREEN	29	43
F85130	BOOT, IDLE EXHAUST	37	5	F93920	REED STOP	27	39
F85161-1	REED STOP	23	39	F97772	CLAMP	19	6
F85211	STUD	29	47	F97772	CLAMP, FUEL LINE	25	9
F85258	INSERT	37	4	F97772	FULE LINE CLAMP	51	11
F85279-2	CYLINDER EXHAUST UPPER GASKET	31	-	F98273	ROD END CONNECTOR STUD	29	74
F85279-2	GASKET, CYLINDER EXHAUST UPPER	29	66	FA17561-1	"O" RING	55	6
F85314-1	FUEL FITTING - BOTTOM CARBURETOR	19	7	FA178233	THROTTLE TIE BAR W/SWIVEL	19	35
F85317-3	SOLENOID CLAMP	23	21	FA27232	EMERGENCY STARTER ROPE (NOT SHOWN)	13	-
F85372	PIN, GEAR SHIFT ROD LOWER	43	48	FA335260	PISTON RINGS (2 PER SET) STANDARD	33	1
F8538	SPRING, PIN	35	14	FA411222	TRANSFER PORT COVER	29	51
F85380	SPRING	37	6	FA438431	BODY, FUEL PUMP	25	12
F85410	SNAP RING	33	8	FA439493	BRACKET, TERMINAL BLOCK	13	10
F85445	CONTROL ROD	27	20	FA440157	CARBURETOR ADAPTER, UPPER	23	-
F85498-1	FLYWHEEL KEY	33	16	FA440167	CARBURETOR ADAPTER, LOWER	23	33
F85502	THROTTLE LINK	27	26	FA449015	PISTON	55	14
F85509-1	LINK, CHOKE	19	2	FA480876	GEAR SHIFT ARM	29	58
F85571	BEARING CAGE W/ROLLER	33	10	FA481743	BRACKET, ROLLER LATCH W/ROLLER	11	5
F85606	CAP, KING PIN (20 INCH MODELS)	37	40	FA500019	KINGPIN (25 INCH MODELS)	35	-
F85610	BEARING	29	56	FA523014	CRANKSHAFT LOWER MAIN BEARING	33	12
F85615-1	ROD, GEAR SHIFT UPPER (20 INCH MODELS)	37	34	FA523054	GEAR HOUSING W/DRIVESHAFT BEARING LOWER	43	42
F8563	DOWEL PIN	27	14	FA523109	PLUG, GEAR HOUSING	43	44
F85634-2	CONNECTING ROD SCREW	33	14	FA523485	ANTI-CORROSION ANODE	41	21
F85660-1	EXHAUST TUBE	37	1	FA523735	SEAL, INLET WATERLINE, LOWER	43	65
F85704	COUPLER, GEAR SHIFT ROD	37	36	FA528018	CRANKSHAFT CONNECTOR (THROTTLE)	47	24
F85762	BY-PASS COVER GASKET	31	-	FA58976-1	CONNECTOR (THROTTLE)	47	24
F85762	BY-PASS VALVE COVER GASKET	31	100	FA607689	BEARING TOWERSHAFT	31	108
F85772	CLAMP	37	7	FA609853	DECAL, WARNING	15	67
F85779-1	BAFFLE, AIR INTAKE	39	46	FA612754	FUEL LINE, SHORT (BAYLINER MODELS)	51	14
F85859	STUD	27	15	FA616497	TERMINAL BLOCK	13	13
F85906	CARBURETOR GASKET	31	-	FA628073	CLAMP SCREW	35	13
F85908-1	LEAD WIRE	17	9	FA630752	FUEL LINE COMPLETE (BAYLINER MODELS)	51	-
F85909-1	BEARING LOCATING PIN (PRESSED INTO BLOCK)	33	23	FA631518	CYLINDER HEAD	29	77
F85916-1	BY-PASS VALVE	31	102	FA654015	PISTON ASSEMBLY	55	5
F85965	MOUNT, UPPER SHOCK	37	31	FA654055	HEAD ASSEMBLY	55	3
F89758	HOSE, IMPULSE	25	20	FA658746	COVER, FUEL PUMP	25	1
F9018	CAP	35	26				
F9052	PLUG	35	16				
F90619-2	YOKE	45	73				
F90807	RETAINING RING	19	34				



# PARTS INDEX

Part Number	Description	Pg.	Ref. No.	Part Number	Description	Pg.	Ref. No.
FA663469	ENGINE COVER LATCH HANDLE W/SHAFT . . . . .	11	15	FO16130	FUEL BOWL . . . . .	19	22
FA663744	WIRING HARNESS . . . . .	53	26	FO16132	FUEL BOWL RETAINING SCREW . . . . .	19	20
FA84621-1	COUPLING, GEAR SHIFT ARM W/BUSHING . . . . .	43	45	FO16133	MAIN NOZZLE . . . . .	19	23
FA84754-1	FUEL LINE SHORT W/FERRULES . . . . .	51	8	FO16142	THROTTLE SHUTTER . . . . .	21	50
FA85135-4	COVER, FRONT LEG . . . . .	37	39	FO16143	THROTTLE SHAFT RETURN SPRING . . . . .	21	41
FA85193	TIE BAR END W/SWIVEL . . . . .	19	38	FO16301	CHOCK SHAFT AND LEVER . . . . .	19	17
FA85355-1	WASHER SET . . . . .	37	28	FO16620	E-RING . . . . .	19	10
FA85655-1	CRANKSHAFT MAIN BEARING RACE . . . . .	33	9	FO16993	BY PASS TUBE . . . . .	21	51
FC529398	DECAL, WIRING . . . . .	31	93	FO17719	CHOKE, SHUTTER . . . . .	19	30
FC660054	GEAR HOUSING COMPLETE. . . . .	45	-	FO17884	THROTTLE SHAFT AND LEVER . . . . .	21	42
FC664054	GEAR HOUSING COMPLETE. . . . .	45	-	FO17885	CHOKE SHAFT RETURN SPRING . . . . .	19	18
FG1019	GASKET SET - . . . . .	31	103	FO18010	MAIN FUEL JET STD. .101 SEA LEVEL - 1500 FT. . . . .	21	-
FK10023	GASKET SET. . . . .	19	-	FO1974	SCREW . . . . .	21	44
FK10103	REPAIR PARTS KIT. . . . .	19	1	FO5323	FUEL BOWL RETAINING SCREW GASKET . . . . .	19	21
FK10107	INLET NEEDLE AND SEAT . . . . .	19	19	FO8942	CHOKE AND THROTTLE SHUTTER SCREW . . . . .	19	31
FK1063-2	SEAL KIT- . . . . .	45	74	FO9678	CLIP, CHOKE SHAFT . . . . .	19	39
FK1069	WATER PUMP KIT- . . . . .	45	75	FO992	LOCKWASHER . . . . .	21	43
FK1123	SPARKIE KIT . . . . .	15	54	FP665	PROPELLER (13 X 15 CUPPED) MODEL 1254X7B . . . . .	41	-
FK405020	SWIVEL W/CLAMP, SHOULDER SCREW AND NUT . . . . .	27	30	FPS501	PROPELLER (14 X 13) MODEL 1253X7B . . . . .	41	18
FK460917	STARTER RELAY . . . . .	13	23	FPS623	PROPELLER (13 X 17) MODEL 1251X7B . . . . .	41	-
FK85228-1	BEARING CAGE W/ROLLER . . . . .	33	7	FPS625	PROPELLER (13 X 19) . . . . .	41	-
FM684392	DECAL, "BASSTACTICS" (REAR) . . . . .	9	16	FS409752	FUEL LINE COMPLETE (FORCE MODELS). . . . .	51	-
FM685392	DECAL, "BASSTACTICS" (SIDE) . . . . .	9	11	FS631962	SHOCK ABSORBER W/BUSHING . . . . .	35	4
FM685396	DECAL, BOTTOM- STARBOARD . . . . .	9	9	FS631995	COVER, CYLINDER HEAD . . . . .	29	79
FM685528	DECAL, BOTTOM-REAR . . . . .	9	17	FS654381	TRIM CYLINDER COMPLETE . . . . .	53	17
FM685585	DECAL, TOP-REAR . . . . .	9	19	FS664358	BRACKET (C.D. - COIL) . . . . .	13	30
FM685892	DECAL, BOTTOM-FRONT . . . . .	9	6	FS664712	ENGINE COVER, (WITHOUT PAINT, DECALS OR HARDWARE) . . . . .	3	8
FM685894	DECAL, TOP-FRONT . . . . .	9	5	FS664712	ENGINE COVER, (WITHOUT PAINT, DECALS OR HARDWARE) . . . . .	5	8
FM685915	DECAL, TOP-SIDE . . . . .	9	14	FS664712	ENGINE COVER, (WITHOUT PAINT, DECALS OR HARDWARE) . . . . .	7	9
FM686386	DECAL, "125XT" . . . . .	9	18	FS664712	ENGINE COVER, (WITHOUT PAINT, DECALS, OR HARDWARE) . . . . .	9	8
FO10588	BODY CHANNEL CUP PLUG . . . . .	21	48	FS85019	KINGPIN (20 INCH MODELS) . . . . .	35	23
FO11103	IDLE MIXTURE SCREW SPRING . . . . .	19	28	FS85872-1	BRACKET . . . . .	29	72
FO13193	MAIN FUEL JET OPT. .088 4500 - 6000 FT. . . . .	21	-	FSA335260	PISTON RINGS (2 PER SET) .010 OVERSIZE . . . . .	33	-
FO13554	FLOAT . . . . .	19	25	FT1082	SNAP RING PLIER . . . . .	57	-
FO13944	FLOAT LEVER PIN . . . . .	19	24	FT11204	BEARING CUP INSTALLER . . . . .	58	-
FO13949	MAIN FUEL JET OPT. .086 600 FT. & UP . . . . .	21	-	FT11205	BEARING INSTALLER/REMOVER . . . . .	58	-
FO14166	IDEL MIXTURE SCREW . . . . .	19	29	FT11207	BEARING CUP REMOVER . . . . .	58	-
FO14190	MAIN FUEL JET OPT. .092 1500 - 3000 FT. . . . .	21	-				
FO14191	MAIN FUEL JET STD. .0937 SEA LEVEL - 1500 FT. . . . .	21	40				
FO15406	MAIN FUEL JET OPT. .090 3000 - 4500 FT. . . . .	21	-				
FO15623	FUEL BOWL GASKET . . . . .	19	26				
FO16128	BODY CHANNEL WELCH PLUG . . . . .	21	49				

# PARTS INDEX

Part Number	Description	Pg.	Ref. No.	Part Number	Description	Pg.	Ref. No.
FT11209	BEARING GUIDE SET	58	-	FX686396	DECAL, STARBOARD	5	9
FT11260	SPARK TESTER	59	-	FX686397	DECAL, PORT	5	5
FT2938-1	CONTINUITY TESTER	59	-	FZ685396	DECAL, STARBOARD	7	11
FT2951	CIRCUIT TRACER	59	-	FZ685397	DECAL, PORT	7	6
FT2953	SOCKET	57	-	FZ685892	DECAL, FRONT	7	7
FT2961	LUBRICANT - RYKON			FZ686385	DECAL, "125", PORT	7	5
	GREASE #2EP	60	-	FZ686386	DECAL, "125", STARBOARD		
FT2962-2	SEALANT - 50 CC LOCTITE				& REAR	7	12
	H, NON-HARDENING			22-818103--1	ELBOW, CYLINDER DRAIN		
	GRADE	60	-		LOWER	27	34
FT2963-2	SEALANT - 2 OZ. LOCTITE			32-817738A1	FUEL LINE LONG	51	10
	271	60	-	33-818007--1	SPARK PLUG (CHAMPION		
FT2987-1	LUBRICANT - ANTI-SEIZE	60	-		UL18V) - USA	31	83
FT2990	PISTON PIN TOOL	57	-	37-F694366-1	DECAL, "US MARINE"	7	8
FT2991	CARBON BRUSH	57	-	39-818110A1	PISTON RINGS (2 PER SET)		
FT2996	RING COMPRESSOR	57	-		.030 OVERSIZE	33	-
FT2998	TORQUE WRENCH (0-100			43-817854A2	BEVEL PINION GEAR	43	35
	LBS./FT.)	57	-	43-818068A2	BEVEL GEAR FRONT		
FT2999	TORQUE WRENCH (0-600				W/BEARING	43	29
	LBS./IN.)	57	-	44-817962A2	PROPELLER SHAFT	41	24
FT3012	SEAL INSTALLER	58	-	45-817961A6	DRIVESHAFT W/BEARING	45	-
FT7848	TORQUE ADAPTER	58	-	45-817967A6	DRIVESHAFT W/BEARING	45	69
FT8900	HOSE CLAMP PLIERS	57	-	46-817853A1	WATER PUMP	45	-
FT8901	INDICATOR HOLDER	58	-	46-817853A1	WATER PUMP BODY	43	60
FT8902	DIAL INDICATOR	58	-	200-817865A1	FLYWHEEL	15	61
FT8903	SEAL INSTALLER	57	-	597-	US MARINE OUTBOARD		
FT8907	DRIVER HANDLE	57	-		GEAR LUBE	62	-
FT8907	DRIVER HANDLE	58	-	600-818052A4	CONNECTING ROD	33	6
FT8914	SEAL REMOVER	57	-	700-817988A2	PISTON .010 OVERSIZE	33	-
FT8918	BEARING GUIDE SET	58	-	700-818111A2	PISTON .030 OVERSIZE	33	-
FT8919	SPRING PIN PUNCH	58	-	700-F372015-3	PISTON - STANDARD	33	2
FT8925	SEAL INSTALLER	57	-	800-817864A6	CYLINDER W/CRANKCASE		
FT8925	SEAL INSTALLER	58	-		COVER	27	1
FT8926	RING EXPANDER	57	-	800-818154A6	SHORT BLOCK	27	-
FT8930-1	FEELER GAUGE SET	58	-	1400-817958A6	STERN BRACKET	35	6
FT8933	LIFTING HOOK	57	-	F596-	PINT CANS	62	-
FT8935	SEALANT PRIMER LOC						
	QUIC T	60	-				
FT8936-1	SEALANT - 2 CC LOCTITE						
	RETAINING COMPOUND						
	#75	60	-				
FT8948-1	PULLER	56	-				
FT8948-1	PULLER	58	-				
FT8950	LEAKAGE TESTER	59	-				
FT8955	SEALANT - 5 OZ. EC-750						
	INDUSTRIAL SEALANT	60	-				
FT8957	SEAL INSTALLER	58	-				
FT8969	LUBRICANT - 7 OZ. LPS-1						
	LUBRICANT	60	-				
FT8978	TIMING LIGHT	56	-				
FT8983	SEALANT - 3 OZ. RTV						
	SEALANT FORM IN PLACE						
	GASKETS	60	-				
FT8985	SEAL INSTALLER	58	-				
FTA11259	MULTIMETER	59	-				
FTA2937-1	TIMING TOOL	56	-				
FTA8997	SHIM TOOL	58	-				
FTK8999	TEST WHEEL	59	-				
FX685528	DECAL, REAR	5	12				
FX685892	DECAL, FRONT	5	6				