



PARTS CATALOG

FORCE 1988 125 HP "C" MODELS

SERIAL NUMBER

125 H.P. (1988)	1251A8C
125 H.P. (1988)	1251F8C
125 H.P. (1988)	1251H8C
125 H.P. (1988)	1251V8C
125 H.P. (1988)	1251X8C
125 H.P. (1988)	1253X8C
125 H.P. (1988)	1254X8C
125 H.P. (1988)	1258D8C
125 H.P. (1988)	1258F8C
125 H.P. (1988)	1258I8C
125 H.P. (1988)	1258L8C
125 H.P. (1988)	1258M8C
125 H.P. (1988)	1258T8C
125 H.P. (1988)	1258V8C
125 H.P. (1988)	1258X8C
125 H.P. (1988)	C1251F8C
125 H.P. (1988)	C1258F8C

TABLE OF CONTENTS:

ACCESSORIES	67
ADAPTER AND REED PLATE	24
CARBURETOR	20
CRANKSHAFT AND PISTON	34
ELECTRICAL COMPONENTS	14
ENGINE COVER BAYLINER MODELS	4
ENGINE COVER CAJUN MODELS	8
ENGINE COVER FORCE MODELS	2
ENGINE COVER MAXUM MODELS	6
ENGINE COVER OLYMPIC MODELS	10
FLARED HUB PROPS	60
FUEL PUMP	26
FUEL TANK AND LINE	52
GEAR HOUSING	42
MOTOR LEG	38
PARTS BREAKDOWN TILT CYLINDER, TRIM CYLINDER, MOTOR & PUMP	56
PARTS INDEX	69
POWER HEAD	28
POWER TRIM UNIT	54
REMOTE CONTROL	48
SPECIAL TOOLS - GEAR HOUSING	64
SPECIAL TOOLS - LUBRICANTS AND SEALANTS	66
SPECIAL TOOLS - POWER HEAD	63
SPECIAL TOOLS - TEST EQUIPMENT	65
SPECIAL TOOLS - TUNE-UP	62
STARTER	18
STRAIGHT HUB PROPS	58
SUPPORT PLATE	12
SWIVEL BRACKET AND STERN BRACKETS MODELS WITH POWER TRIM	36

NOTE: Indented description indicate that these parts are included in preceeding assembly.

AR = As Required

NSS = Not Sold Separate

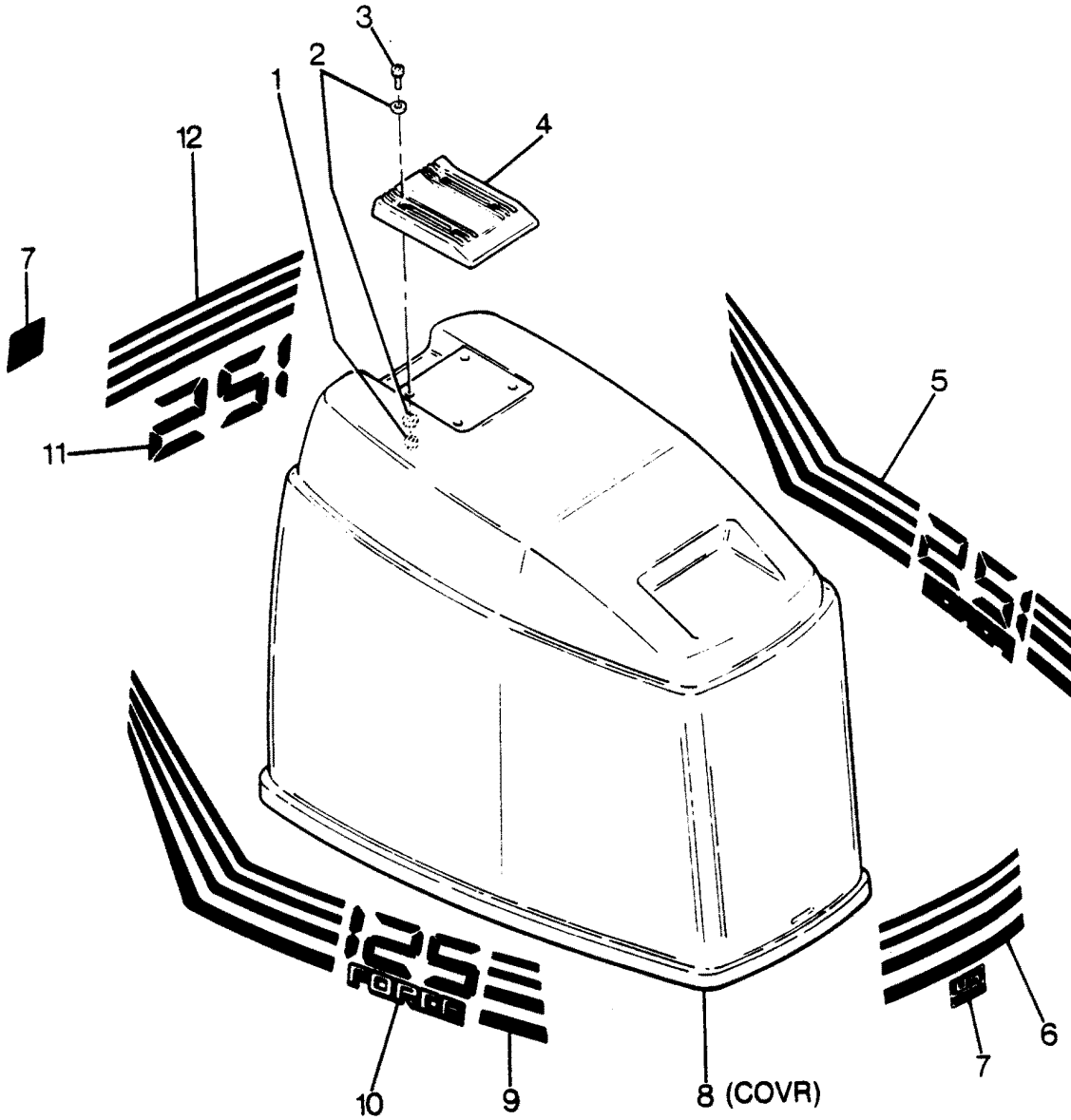
OPT = Optional

NS = Not Shown

THESE PARTS BOOKS/FICHE CARD ARE COPYRIGHTED AND MAY NOT BE DISTRIBUTED OR REPRODUCED IN ANY OTHER FORMAT BY ANYONE OTHER THAN MERCURY MARINE WITHOUT THE PRIOR WRITTEN CONSENT OF MERCURY MARINE.

THIS PAGE INTENTIONALLY LEFT BLANK

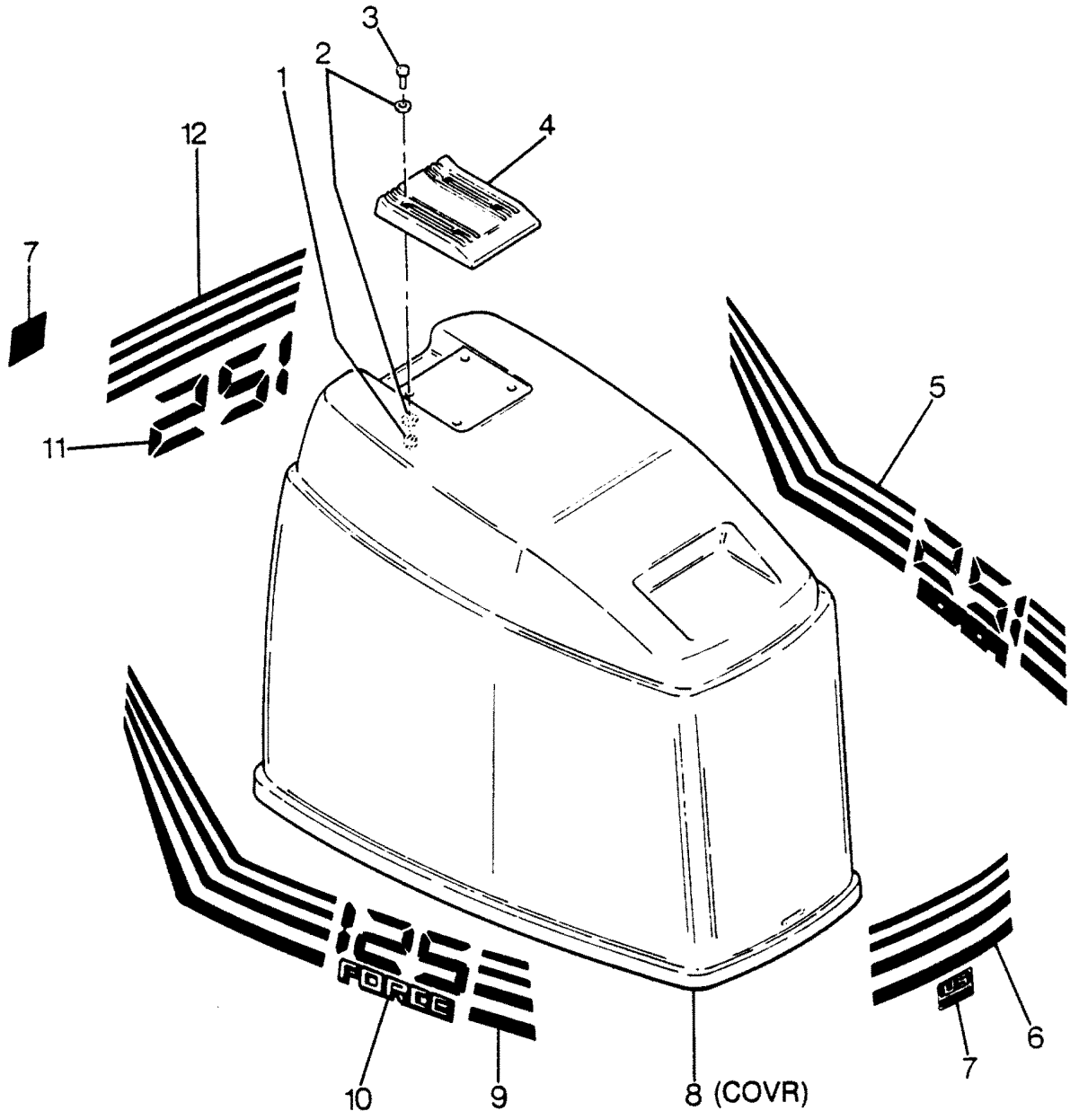
ENGINE COVER FORCE MODELS



ENGINE COVER FORCE MODELS

REF. NO.	PART NO.	SYM.	QTY.	DESCRIPTION
1	F7024		4	STOP NUT, 1/4 - 20
2	F2012		8	WASHER
3	F2143		4	HEX SOC. HD. SCREW, 1/4 - 20 X 1 S.S.
4	F663269		1	HANDLE, TILT
5	F686397		1	DECAL, PORT
6	F685892-1		1	DECAL, FRONT
7	F665387		2	DECAL, "US MARINE"
8	FS664712		1	ENGINE COVER (WITHOUT PAINT, DECALS OR HARDWARE)
-	F2C686712		1	ENGINE COVER, COMPLETE
9	F686396		1	DECAL, STARBOARD
10	F663366		2	MEDALLION-FORCE
11	F664386		1	DECAL, "125"
12	F685528-1		1	DECAL, REAR
-	F663984		1	BLANKET, TOP (NOT SHOWN)
-	F664985		2	BLANKET, SIDE (NOT SHOWN)

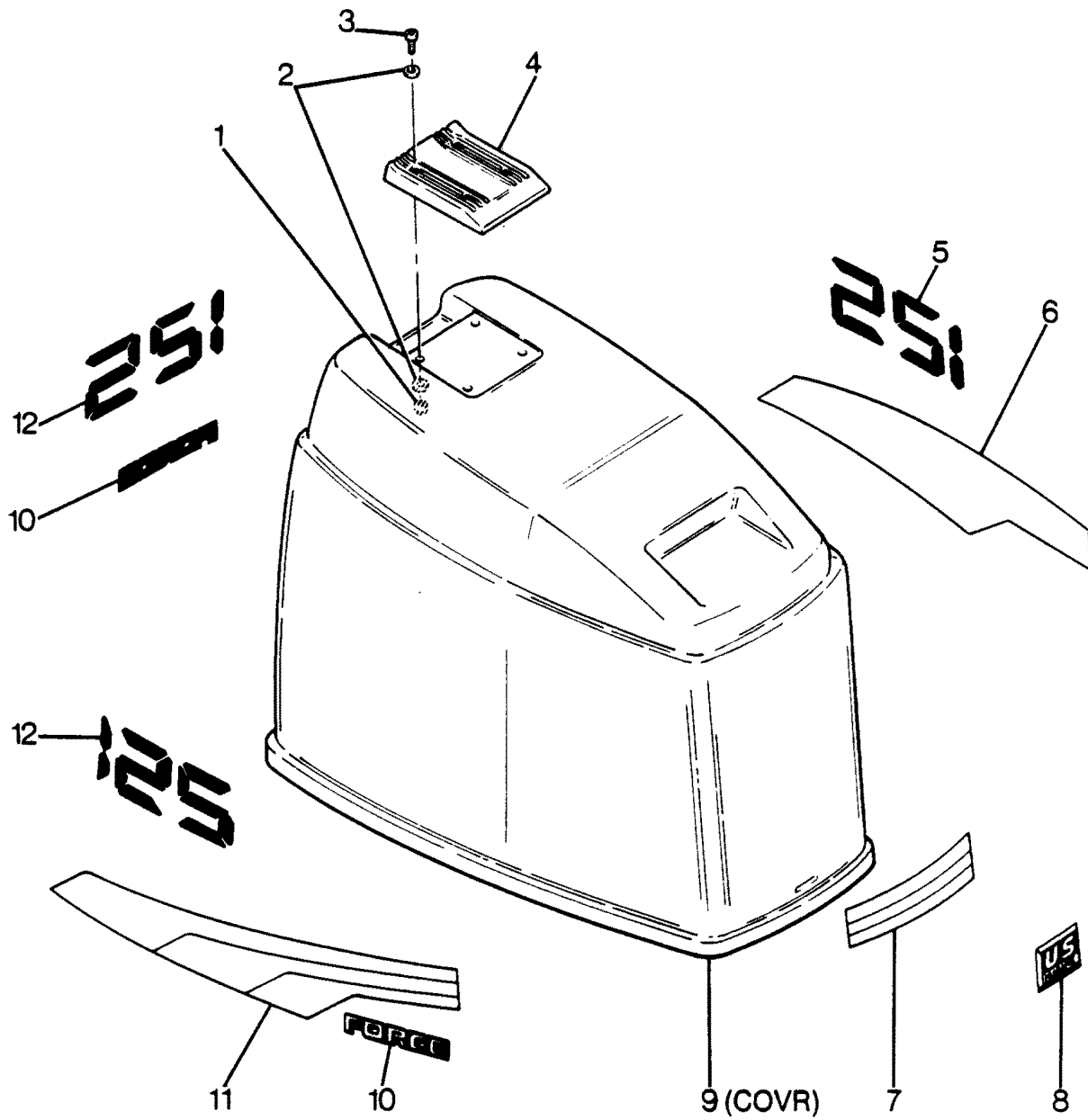
ENGINE COVER BAYLINER MODELS



ENGINE COVER BAYLINER MODELS

REF. NO.	PART NO.	SYM.	QTY.	DESCRIPTION
1	F7024		4	STOP NUT, 1/4 - 20
2	F2012		8	WASHER
3	F2143		4	HEX SOC. HD. SCREW, 1/4 - 20 X 1 S.S.
4	F663269		1	HANDLE, TILT
5	FX686397		1	DECAL, PORT
6	FX685892		1	DECAL, FRONT
7	F665387		2	DECAL, "US MARINE"
8	FS664712		1	ENGINE COVER, (WITHOUT PAINT, DECALS OR HARDWARE)
-	F2C686712		1	ENGINE COVER, COMPLETE
9	FX686396		1	DECAL, STARBOARD
10	F663366		2	MEDALLION-FORCE
11	F664386		1	DECAL, "125"
12	FX685528		1	DECAL, REAR
-	F663984		1	BLANKET, TOP (NOT SHOWN)
-	F664985		2	BLANKET, SIDE (NOT SHOWN)

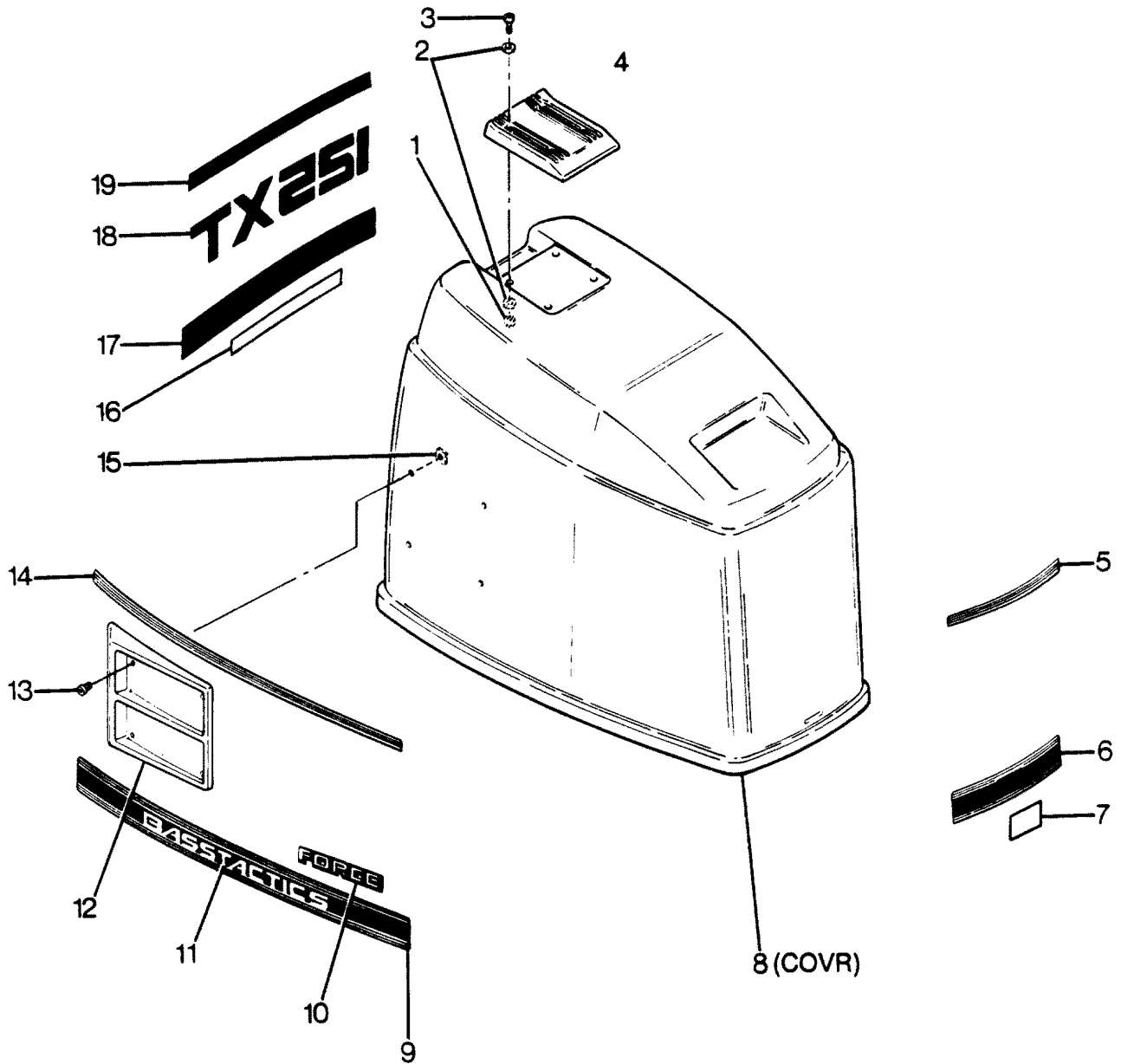
ENGINE COVER MAXUM MODELS



ENGINE COVER MAXUM MODELS

REF. NO.	PART NO.	SYM.	QTY.	DESCRIPTION
1	F7024		4	STOP NUT, 1/4 - 20
2	F2012		8	WASHER
3	F2143		4	HEX SOC. HD. SCREW, 1/4 - 20 X 1 S.S.
4	F663269		1	HANDLE, TILT
5	FZ686385		1	DECAL, "125", PORT
6	FZ685397		1	DECAL, PORT
7	FZ685892		1	DECAL, FRONT
8	37-F694366-1		2	DECAL, "US MARINE"
9	FS664712		1	ENGINE COVER, (WITHOUT PAINT, DECALS OR HARDWARE)
-	F2C686712		1	ENGINE COVER, COMPLETE
10	F663366		3	MEDALLION-FORCE
11	FZ685396		1	DECAL, STARBOARD
12	FZ686386		2	DECAL, "125", STARBOARD & REAR
-	F663984		1	BLANKET, TOP (NOT SHOWN)
-	F664985		2	BLANKET, SIDE (NOT SHOWN)

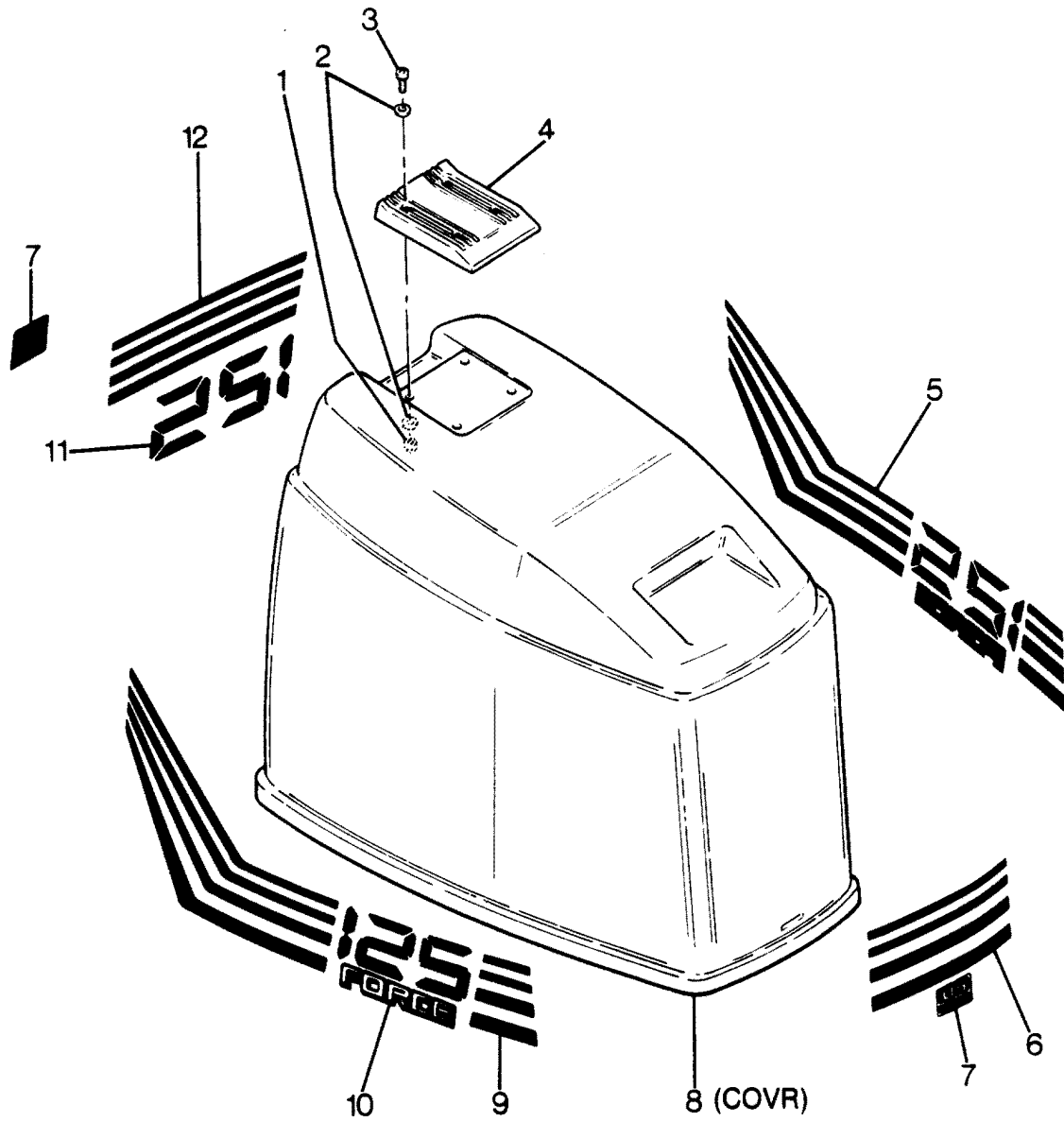
ENGINE COVER CAJUN MODELS



ENGINE COVER CAJUN MODELS

REF. NO.	PART NO.	SYM.	QTY.	DESCRIPTION
1	F7024		4	STOP NUT, 1/4 - 20
2	F2012		8	WASHER
3	F2143		4	HEX SOC. HD. SCREW, 1/4 - 20 X 1 S.S.
4	F663269		1	HANDLE, TILT
5	FM685894		1	DECAL, TOP-FRONT
6	FM685892		1	DECAL, BOTTOM-FRONT
7	F685387		1	DECAL, "US MARINE"
8	FS664712		1	ENGINE COVER, (WITHOUT PAINT, DECALS, OR HARDWARE)
-	F2C686712		1	ENGINE COVER, COMPLETE
9	FM685396		1	DECAL, BOTTOM-STARBOARD
10	F663366		2	MEDALLION-FORCE
11	FM685392		2	DECAL, "BASSTACTICS" (SIDE)
12	F685681		2	SCOOP, AIR
13	F2216		8	HEX SOC. HD. SCREW, 8-32 X 1/2 S.S.
14	FM685915		2	DECAL, TOP-SIDE
15	F1693		8	TINNERMAN NUT, 8-32
16	FM684392		1	DECAL, "BASSTACTICS" (REAR)
17	FM685528		1	DECAL, BOTTOM-REAR
18	FM686386		1	DECAL, "125XT"
19	FM685585		1	DECAL, TOP-REAR
-	F663984		1	BLANKET, TOP (NOT SHOWN)
-	F664985		2	BLANKET, SIDE (NOT SHOWN)

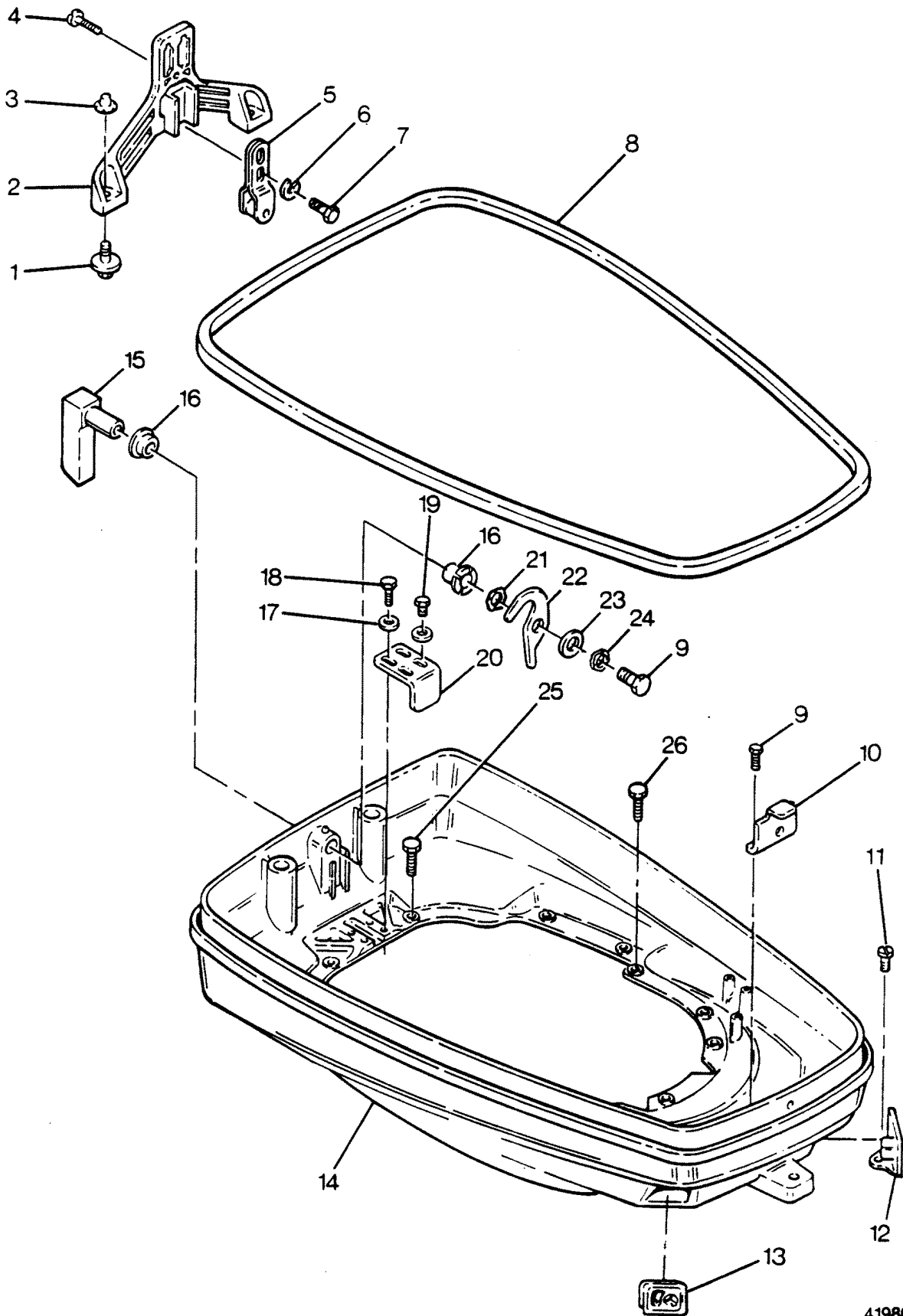
ENGINE COVER OLYMPIC MODELS



ENGINE COVER OLYMPIC MODELS

REF. NO.	PART NO.	SYM.	QTY.	DESCRIPTION
1	F7024		4	STOP NUT, 1/4 - 20
2	F2012		8	WASHER
3	F2143		4	HEX SOC. HD. SCREW, 1/4 - 20 X 1 S.S.
4	F663269		1	HANDLE, TILT
5	F686397		1	DECAL, PORT
6	F685892-1		1	DECAL, FRONT
7	F665387		2	DECAL, "US MARINE"
8	FS664712		1	ENGINE COVER, (WITHOUT PAINT, DECALS OR HARDWARE)
-	F2C686712		1	ENGINE COVER, COMPLETE
9	F686396-1		1	DECAL, STARBOARD
10	F663366		2	MEDALLION-FORCE
11	F664386		1	DECAL, "125"
12	F685528-1		1	DECAL, REAR
-	F663984		1	BLANKET, TOP (NOT SHOWN)
-	F664985		2	BLANKET, SIDE (NOT SHOWN)

SUPPORT PLATE



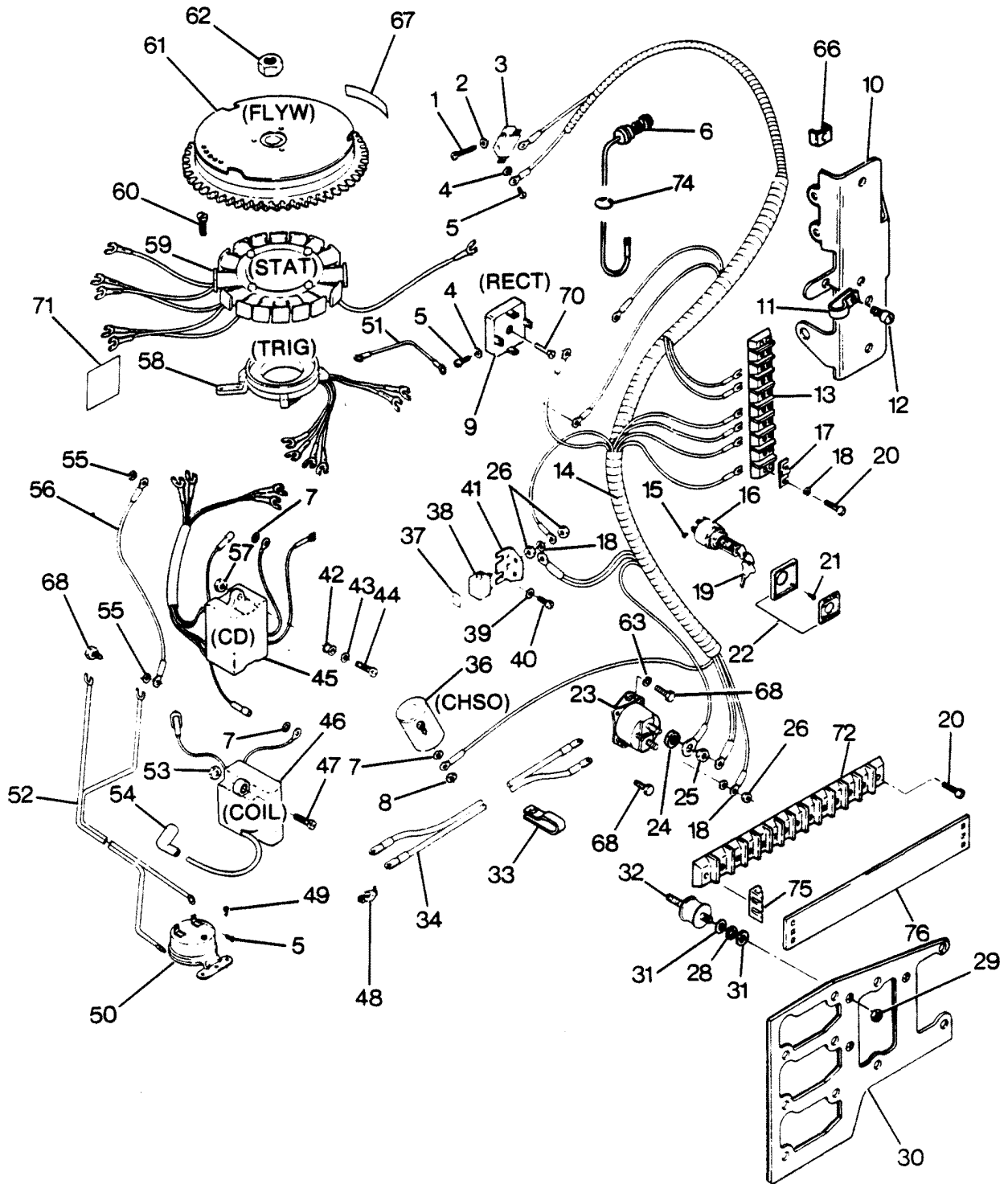
OB4200

41980-005

SUPPORT PLATE

REF. NO.	PART NO.	SYM.	QTY.	DESCRIPTION
1	F481434		2	GUIDE, ENGINE COVER
2	F663774-1		1	BRACKET, ENGINE COVER LATCH
3	F2088		2	FASTENER
4	F1493		3	PAN HD. SCREW, 5/16 - 18 X 5/8 S.S.
5	FA481743		1	BRACKET, ROLLER LATCH W/ROLLER
6	F8096		2	SPRING LOCKWASHER
7	F1857		2	HEX CAP SCREW, 5/16 - 18 X 5/8
8	F663756		1	PACKING
9	F1854		3	HEX CAP SCREW, 1/4 - 20 X 5/8
10	F663480		1	RETAINER
11	F1733		3	PAN HD. SCREW, 10-24 X 9/16
12	F549189		1	BUSHING, ELECTRIC CABLE
13	F660189		1	BUSHING, CABLE ENTRY
14	F663038		1	SUPPORT PLATE
15	FA663469		1	ENGINE COVER LATCH HANDLE W/SHAFT
16	F286818		2	BEARING, LATCH SHAFT
17	F8096		4	SPRING LOCKWASHER
18	F1857		2	HEX CAP SCREW, 5/16 - 18 X 5/8
19	F1858		2	HEX CAP SCREW, 5/16 - 18 X 1
20	F335654-1		1	DEFLECTION STOP
21	F2047		1	WAVE WASHER
22	F481777		1	CAM, LATCH SHAFT
23	F8094		1	WASHER
24	F8083		1	LOCKWASHER
25	F1203		6	HEX CAP SCREW, 1/4 - 20 X 7/8
26	F1238		7	HEX CAP SCREW, 1/4 - 20 X 3/4

ELECTRICAL COMPONENTS



0B4200

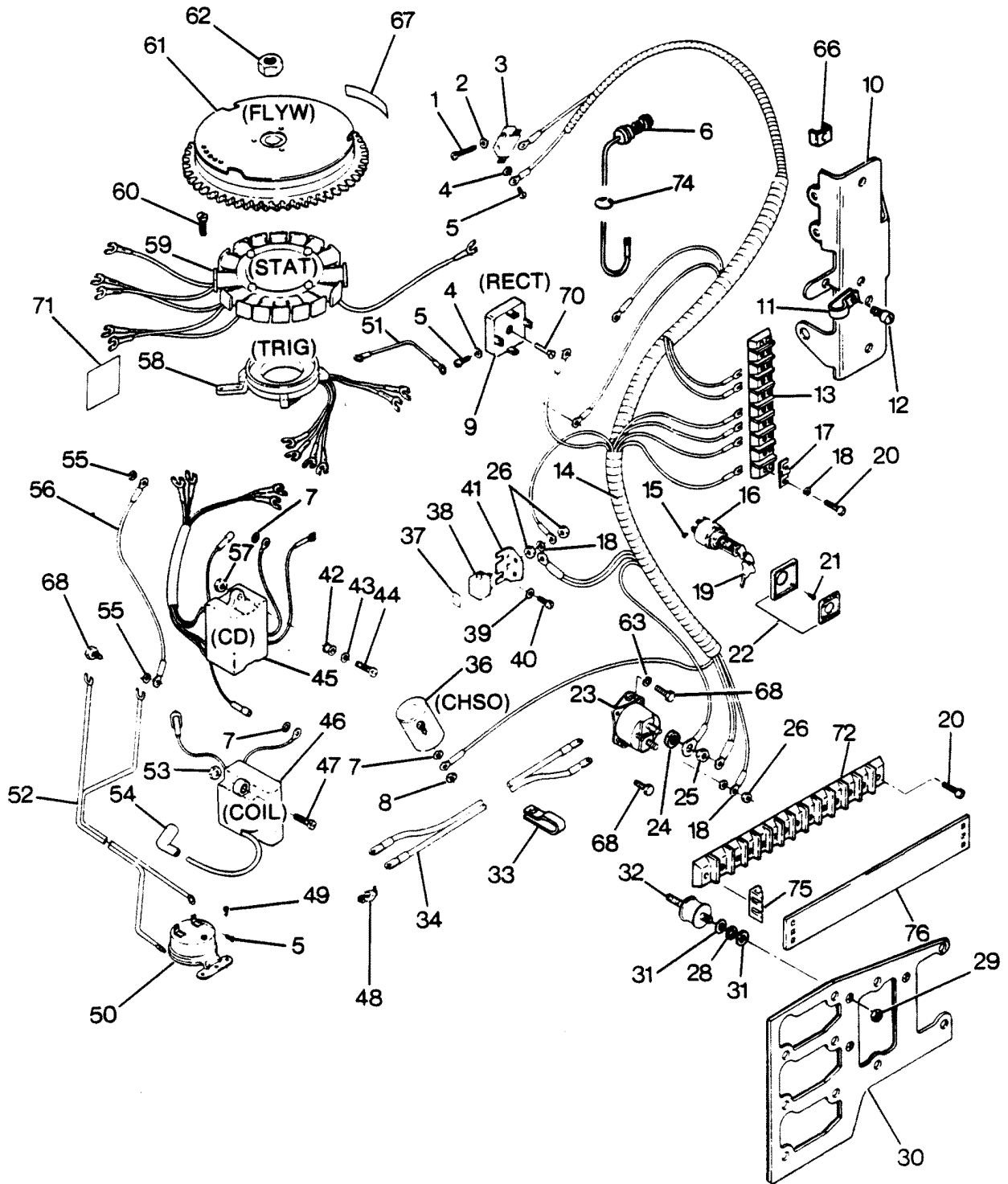
41620-002

ELECTRICAL COMPONENTS

REF. NO.	PART NO.	SYM.	QTY.	DESCRIPTION
1	F2016		2	SLOTTED FILL HD. SCREW, 6 - 32 X 7/8
2	F8088		2	PLAIN WASHER
3	F84449		1	NEUTRAL INTERLOCK SWITCH
4	F1704		6	INTERNAL TOOTH LOCKWASHER
5	F1645		8	HD. SCREW, 6 - 32 X 1/4
6	F629449		1	THERMOSWITCH
7	F8056		2	SPRING LOCKWASHER
8	F1647		2	HEX NUT, 8 - 32
9	F650450		1	RECTIFIER WILLUS. 4, 5, 70 AND LITERATURE
10	FA439493		1	BRACKET, TERMINAL BLOCK WILLUS. 12 & 66
11	F289446-1		1	CLAMP, REMOTE ELEC. CABLE TO BRACKET
12	F1734		2	FILL HD. SCREW, 1/4 - 20 X 1/2
13	FA616497		1	TERMINAL BLOCK WILLUS. 17 & 20
14	F653744		1	WIRING HARNESS
15	F1280		6	SLOTTED PAN HD. SCREW, 8 - 32 X 1/4
16	F5H078		1	SWITCH, IGNITION LONG BARREL W/KEYS AND SCREWS (ACCESSORY ITEM)
17	F307317		7	CLIP, TERMINAL BLOCK GROUND
18	F1975		6	LOCKWASHER
19	817782--1		0	KEY IGNITION - NO LETTER OR STAMPED A
-	817883--1		0	KEY IGNITION - STAMPED B
-	817891--1		0	KEY IGNITION - STAMPED C
-	817928--1		0	KEY IGNITION - STAMPED D
-	817929--1		0	KEY IGNITION - STAMPED E
-	FA27232		1	EMERGENCY STARTER ROPE (NOT SHOWN)
20	F1648		2	PAN HD. SCREW, 10 - 24 X 3/4
21	F1934		4	FLAT HD. SCREW, 6 X 1/2
22	F5H038		1	IGNITION SWITCH MOUNTING KIT
23	FK460917		1	STARTER RELAY WILLUS. 63, 68 AND LITERATURE
24	F8096		2	SPRING LOCKWASHER
25	F1515		2	HEX NUT, S.S., 5/16 - 18
26	F1513		6	HEX NUT, 10 - 32
28	F8090		3	PLAIN WASHER
29	F1515		3	HEX NUT, S.S., 5/16 - 18
30	FS664358		1	BRACKET (C.D. - COIL)
31	F8124		3	PLAIN WASHER
32	F215962		3	MOUNT (SHOCK - C.D. UNIT)
33	F407446		1	CLAMP
34	F381896-4		1	BATTERY CABLE
36	F654924		1	CHOKE SOLENOI
37	F510374-1		1	DECAL, CIRCUIT BREAKER
38	F510460		1	CIRCUIT BREAKER
39	F8011		2	PLAIN WASHER

CONTINUED ON NEXT PAGE ➡

ELECTRICAL COMPONENTS



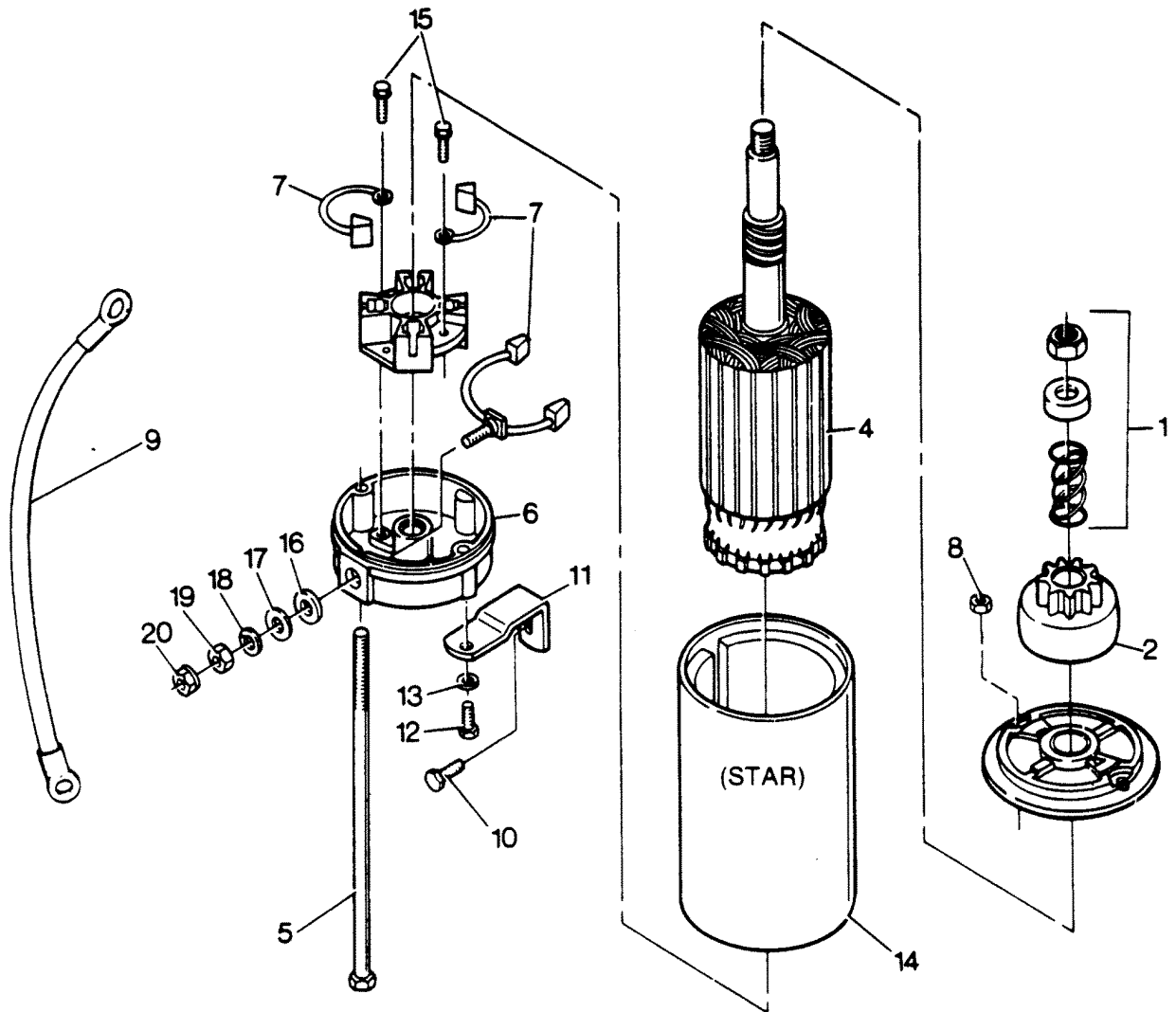
0B4200

41620-002

ELECTRICAL COMPONENTS

REF. NO.	PART NO.	SYM.	QTY.	DESCRIPTION
40	F1760		2	SLOTTED PAN HD. SCREW, 10 - 24 X 3/8
41	F91446-1		1	CIRCUIT BREAKER BRACKET
42	F475504		4	GROMMET
43	F8028		4	PLAIN WASHER
44	F2008		4	HEX HD. M. SC., 1/4 - 20 X 7/8
45	F685301		2	MODULE (BLUE)
46	F685475		4	IGNITION COIL (BLUE)
47	F2008		6	SLOTTED PAN HD. SCREW, 1/4 - 20 X 7/8
48	F5H041		1	BATTERY TERMINAL KIT (ACCESSORY ITEM)
49	F1741		2	PAN HD. SCREW, 8 X 3/4
50	F5H043		1	BUZZER, HEAT INDICATOR
51	F345683		1	WIRE, GROUND (RECTIFIER TO STARTER BOLT)
52	F404841		1	CABLE, HEAT INDICATOR
53	F1341		6	NUT, 1/4 - 20
54	FK1123		4	SPARKIE KIT
55	F2106		2	LOCKWASHER
56	F319908		1	WIRE, GROUND (C.D. - COIL BRACKET)
57	F1832		4	NUT, LOCK 1/4 - 20
58	F654029		1	TRIGGER ASSY.
59	F663095		1	ALTERNATOR STATOR
60	F1550		4	SLOTTED PAN HD. SCREW #12 - 24 X 1
61	200-817865A1		1	FLYWHEEL W/ILLUS. 67 ORIGINAL FORCE P/N A 615097-1
62	F1968		1	HEX NUT, 3/4 X 16
63	F8083		1	SPRING LOCKWASHER
64	F1877		1	TY-RAP (NOT SHOWN)
66	F438668		1	RETAINER
67	FA609853		1	DECAL, WARNING W/LITERATURE
68	F1705		3	HEX WASHER HD. M SCREW, 1/4 - 20 X 3/4
70	F1303		1	PAN HD. SCREW, 8 - 32 X 3/4
71	F654398		1	DECAL, 4 CYL. WIRING
72	F664384		2	CLIP, TERMINAL BLOCK COVER
73	F654497		1	TERMINAL BLOCK (12 POSITION)
74	F428096		1	RETAINER, THERMOSWITCH
75	F322273		1	STUD
76	F664672		1	COVER, TERMINAL BLOCK

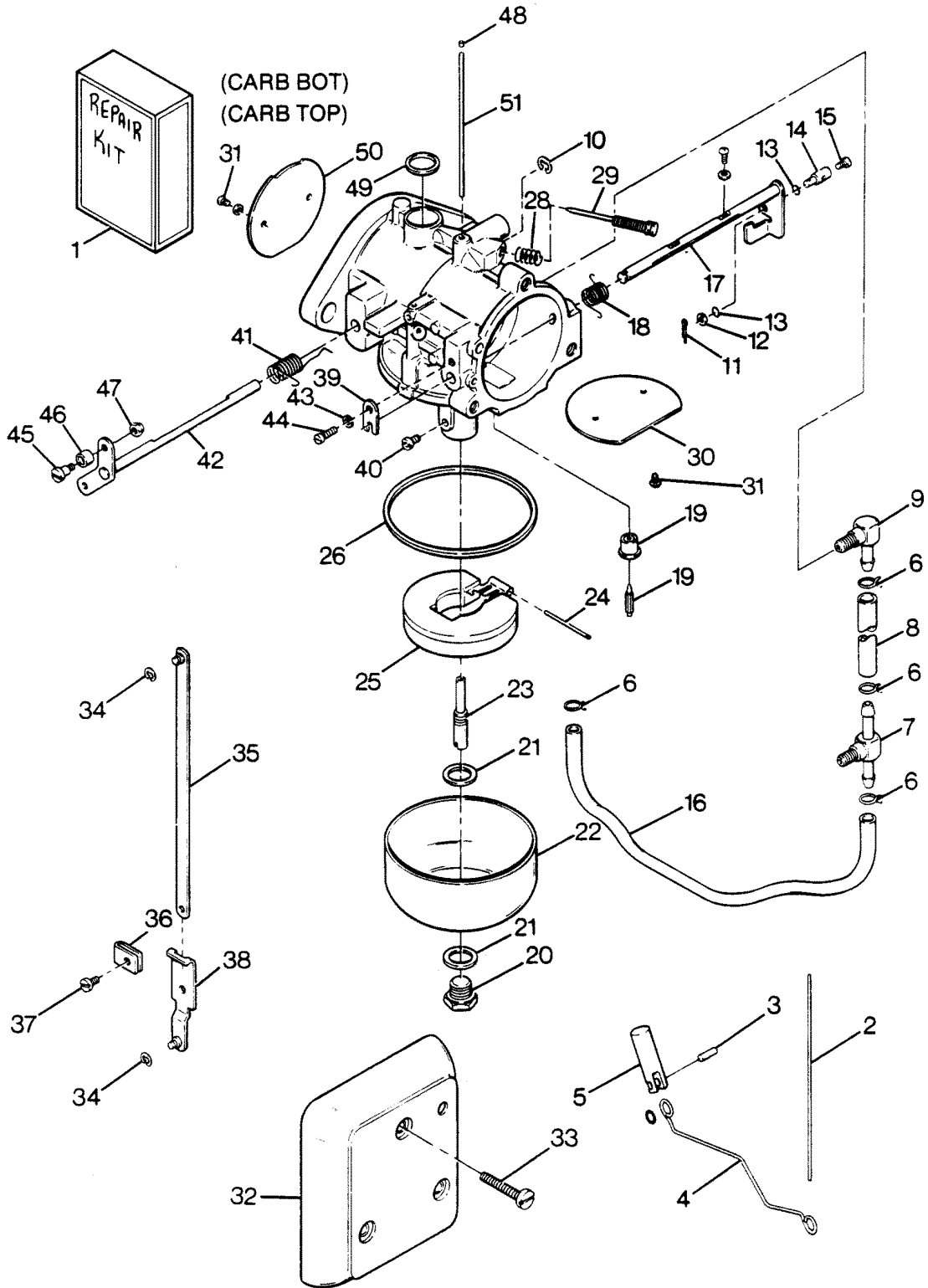
STARTER



STARTER

REF. NO.	PART NO.	SYM.	QTY.	DESCRIPTION
1	F15174		1	DRIVE KIT
2	F15175		1	DRIVE ASSEMBLY PINION
3	F15176		1	CAP STARTER DRIVE
4	F15177		1	ARMATURE
5	F15178		1	THRU BOLT PACKAGE
6	F15179		1	COMMUTATOR
7	F15164		1	BRUSH KIT
8	F1641		1	LOCK NUT
9	F85908-1		1	LEAD WIRE
10	F1922		1	HEX CAP SCREW, 1/4 - 20 X 5/8
11	F616675		1	STARTER BRACKET LOWER
12	F1854		1	HEX HD. CAP SCREW, 1/4 - 20 X 5/8
13	F8083		1	SPRING LOCKWASHER
14	F616955		1	STARTER COMPLETE. INCLUDES ALL ITEMS MARKED WITH AN ASTERISK (*).
15	F15158		1	SCREW, BRUSH HOLDER
16	F15160		1	INSULATOR WASHER
17	F15161		1	PLAIN WASHER
18	F15152		1	LOCKWASHER
19	F1341		1	NUT
20	F15162		1	NUT

CARBURETOR

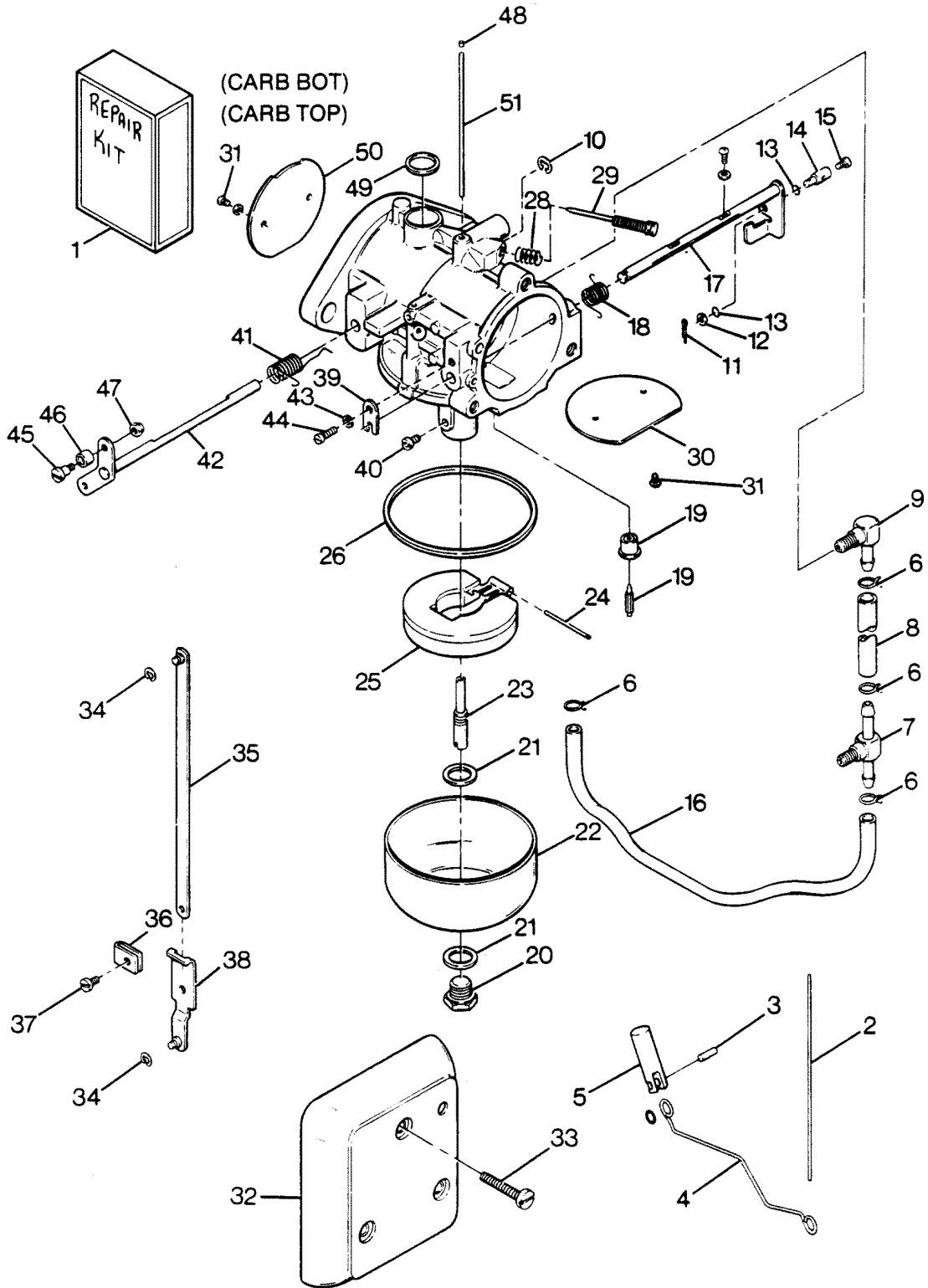


CARBURETOR

REF. NO.	PART NO.	SYM.	QTY.	DESCRIPTION
1	FK10103		1	REPAIR PARTS KIT
2	F8550-1		1	LINK, CHOKE
3	F2033		1	GROOVE PIN
4	F440925		1	CHOKE ROD
5	F391926-1		1	PLUNGER
6	F97772		4	CLAMP
7	F85311		1	FUEL FITTING - BOTTOM CARBURETOR
8	F178754-1		1	FUEL LINE
9	F84314-2		1	ELBOW - TOP CARBURETOR
10	FO16620		1	E-RING
11	F1014		2	COTTER PIN
12	F8088		3	PLAIN WASHER
13	F184579		5	O-RING SEAL
14	F184033-1		1	SWIVEL, TOP CARBURETOR
15	F1059		2	FILL HD. SCREW, 6 - 32 X 1/4
16	F438754		1	FUEL LINE
17	FO16301		1	CHOKE SHAFT AND LEVER
18	FO17885		1	CHOKE SHAFT RETURN SPRING
19	FK10107		1	INLET NEEDLE AND SEAT W/LITERATURE
20	FO16132		1	FUEL BOWL RETAINING SCREW
21	FO5323		2	FUEL BOWL RETAINING SCREW GASKET
-	F85033		1	SWIVEL, CHOKE ROD (BOTTOM CARBURETOR) (NOT SHOWN)
-	FK10023		1	GASKET SET INCLUDES ILLUS. 21, 26 AND 31 ON PAGE 12.
22	FO16130		1	FUEL BOWL
23	FO16133		1	MAIN NOZZLE
24	FO13944		1	FLOAT LEVER PIN
25	FO13554		1	FLOAT
26	FO15623		1	FUEL BOWL GASKET
27	F664061		1	CARBURETOR COMPLETE (BOTTOM)
-	F589061-1		1	CARBURETOR COMPLETE (TOP)
28	FO11103		1	IDLE MIXTURE SCREW SPRING
29	FO14166		1	IDLE MIXTURE SCREW
30	FO17719		1	CHOKE, SHUTTER
31	FO8942		4	CHOKE AND THROTTLE SHUTTER SCREW
32	F511708-1		2	CHOKE, CARBURETOR
33	F1034		6	PAN HD. SCREW, 1/4 - 20 X 1-3/8
34	F90807		2	RETAINING RING
35	FA178233		1	THROTTLE TIE BAR W/SWIVEL
36	F1693		1	TIE BAR RETAINER NUT
37	F1064		1	FILL HD. SCREW, 8 - 32 X 3/8
38	FA85193		1	TIE BAR END W/SWIVEL
39	FO9678		1	CLIP, CHOKE SHAFT

CONTINUED ON NEXT PAGE ➡

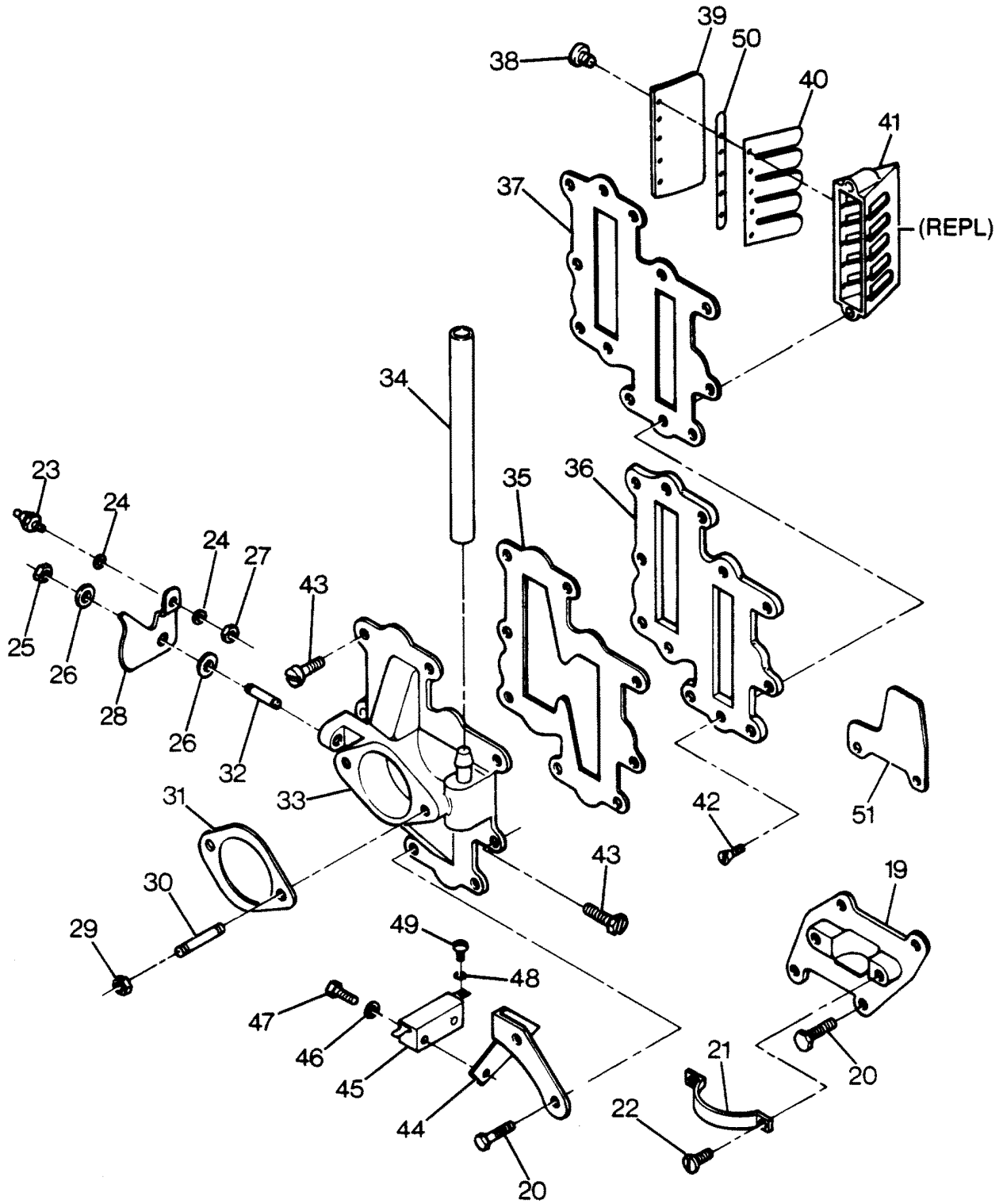
CARBURETOR



CARBURETOR

REF. NO.	PART NO.	SYM.	QTY.	DESCRIPTION
40	FO14191		1	MAIN FUEL JET STD. .0937 SEA LEVEL - 1500 FT. (BOTTOM CARBURETOR)
-	FO18010		1	MAIN FUEL JET STD. .101 SEA LEVEL - 1500 FT. (TOP CARBURETOR)
-	FO14190		-	MAIN FUEL JET OPT. .092 1500 - 3000 FT.
-	FO15406		-	MAIN FUEL JET OPT. .090 3000 - 4500 FT.
-	FO13193		-	MAIN FUEL JET OPT. .088 4500 - 6000 FT.
-	FO13949		-	MAIN FUEL JET OPT. .086 6000 FT. & UP
41	FO16143		1	THROTTLE SHAFT RETURN SPRING
42	FO17884		1	THROTTLE SHAFT AND LEVER
43	FO992		1	LOCKWASHER
44	FO1974		1	SCREW
45	F333316		1	THROTTLE ROLLER SHAFT
46	F92759		1	THROTTLE ROLLER
47	F1997		1	STOP NUT, 8 - 32
48	FO10588		4	BODY CHANNEL CUP PLUG
49	FO16128		1	BODY CHANNEL WELCH PLUG
50	FO16142		1	THROTTLE SHUTTER
51	FO16993		1	BY-PASS TUBE

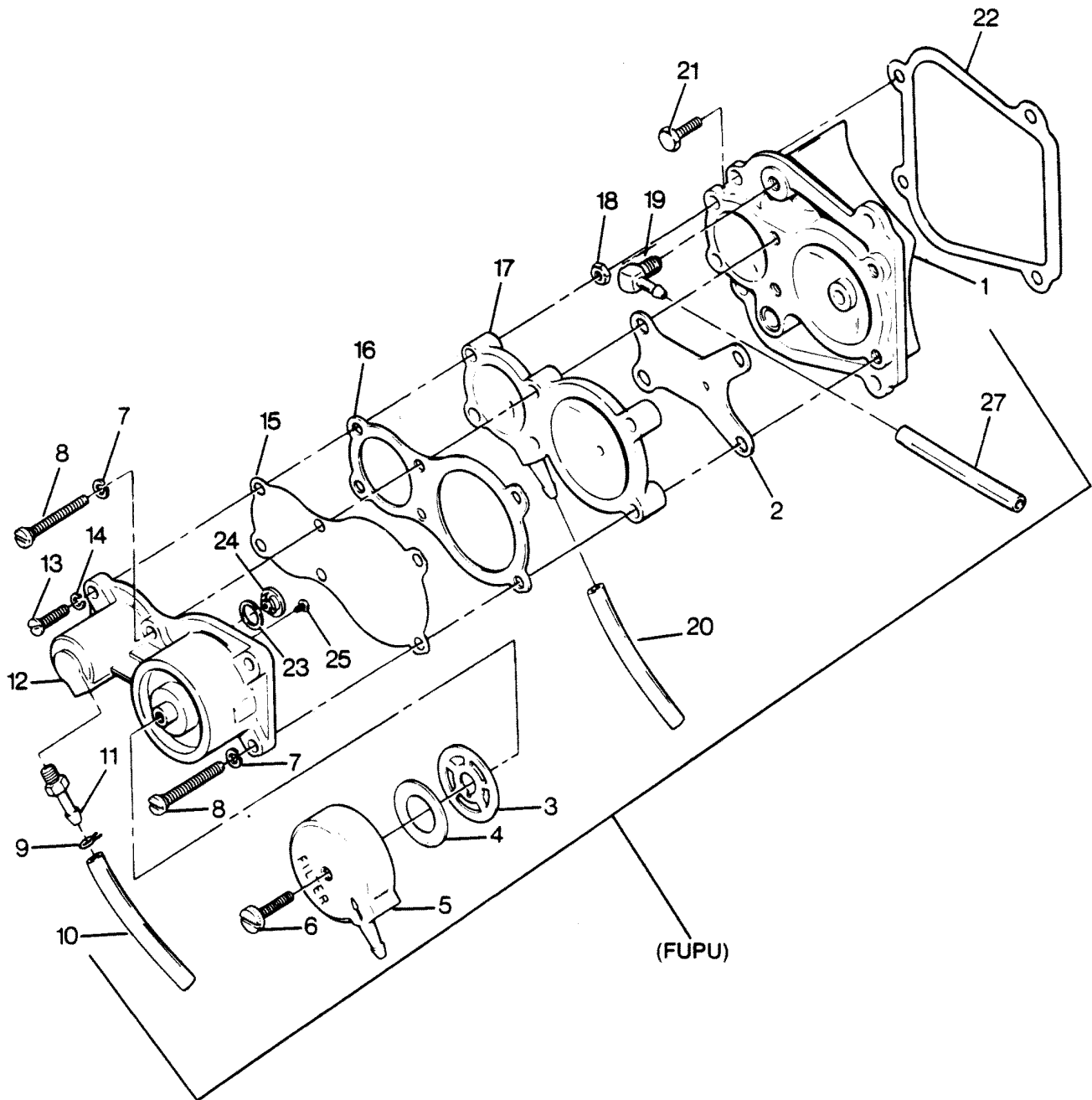
ADAPTER AND REED PLATE



ADAPTER AND REED PLATE

REF. NO.	PART NO.	SYM.	QTY.	DESCRIPTION
19	F372958		1	CHOKE BRACKET
20	F1532		6	HEX HD. SCREW, 1/4 - 20 X 1
21	F85317-3		1	SOLENOID CLAMP
22	F1236		2	SCREW, 1/4 - 20 X 1/2
23	817747--1		1	BALL JOINT W/STUD
24	F8058		2	INTERNAL TOOTH LOCKWASHER
25	F7008		1	STOP NUT, 1/4 - 20
26	F269319		2	THROTTLE CAM BEARING
27	F1513		1	HEX NUT, 10 - 32
28	F440192-1		1	THROTTLE CAM
29	F1346		4	HEX NUT
30	F440209		4	CARBURETOR STUD
31	F440906		2	CARBURETOR GASKET
32	F433209-1		1	THROTTLE CAM STUD
33	FA440167		1	CARBURETOR ADAPTER, LOWER W/FITTING AND ILLUS. 30
-	FA440157		1	CARBURETOR ADAPTER, UPPER W/FITTING AND ILLUS. 30 (NOT SHOWN)
34	F440254		1	BALANCE TUBE
35	F178168-1		1	GASKET, CARBURETOR ADAPTER
36	F178404-1		2	DEFLECTOR PLATE
37	F406406		2	GASKET DEFLECTOR PLATE
38	F1755		40	ROUND HD. SCREW W/LOCKWASHER 6 - 32 X 1/4
39	F85161-1		8	REED STOP
40	F530160		8	REED (5 PETAL)
41	F3A523158		4	REED PLATE W/ILLUS. 38, 39, 40, 44 AND 51
42	F1831		8	FLAT HD. SCREW, 1/4 - 20 X 5/8
43	F2008		10	HEX HD. SCREW, 1/4 - 20 X 7/8
44	F489551		1	BRACKET NEUTRAL INTERLOCK SWITCH
45	F84449		1	INTERLOCK SWITCH
46	F8088		2	PLAIN WASHER
47	F2016		2	SLOTTED HD. FILL SCREW, 6 - 32 X 7/8
48	F1704		2	LOCKWASHER
49	F1645		2	HD. SCREW, 6 - 32 X 1/4
50	F523451		8	SPACER, REED STOP
51	F500894		1	POINTER, TIMING

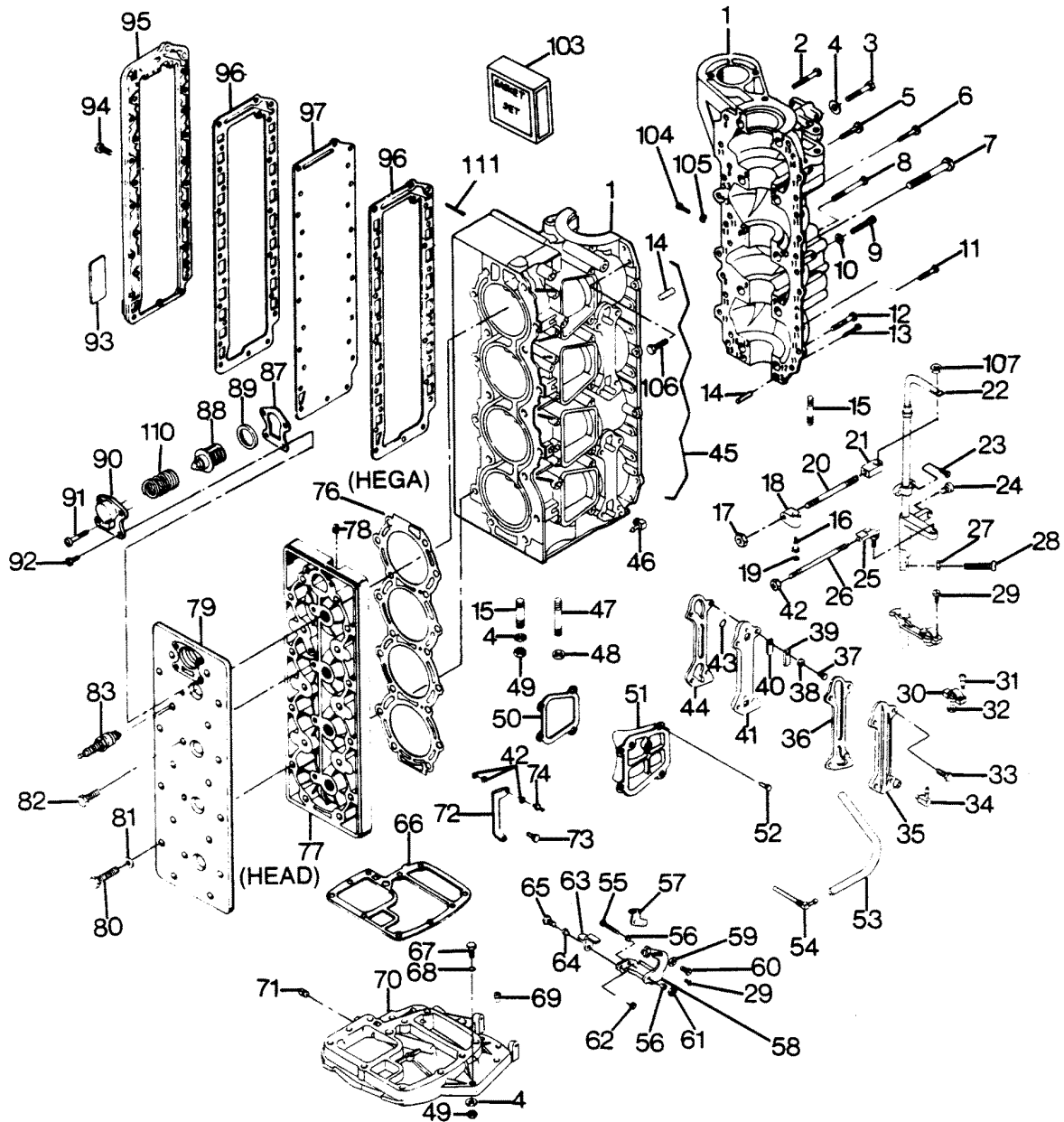
FUEL PUMP



FUEL PUMP

REF. NO.	PART NO.	SYM.	QTY.	DESCRIPTION
1	FA658746		1	COVER, FUEL PUMP W/LITERATURE
2	F658803		1	GASKET, SPACER PLATE
3	F438617		1	GASKET, FUEL SEDIMENT BOWL
4	F438653		1	SCREEN, FUEL PUMP
5	F438500		1	BOWL, FUEL SEDIMENT
6	F1648		1	SCREW, FUEL SEDIMENT BOWL
7	F8083		4	LOCKWASHER
8	F1504		4	SLOTTED FIL SCREW, 1/4 - 20 X 1-1/4 S.S.
9	F97772		2	CLAMP, FUEL LINE
10	F438754		1	FUEL LINE, PUMP TO CARBURETOR
11	F438801		1	ELBOW
12	FA438431		1	BODY, FUEL PUMP W/ILLUS.
13	F1648		2	SCREW, 10 - 24 X 3/4 PAN HD. SCREW
14	F1975		2	LOCKWASHER
15	F438747		1	DIAPHRAGM, FUEL PUMP
16	F438760		1	GASKET, FUEL PUMP
17	F658836		1	SPACER, FUEL PUMP
18	F1473		2	NUT, 10 - 24 S.S.
19	F404310		1	ELBOW, RECIRCULATING
20	F89758		1	HOSE, IMPULSE
21	F1540		3	HEX HD. SCREW, 1/4 - 20 X 5/8 GR. 5
22	F40223		1	GASKET, TRANSFER PORT COVER
23	F84792		1	GASKET, FUEL PUMP VALVE
24	F177330		3	VALVE, FUEL PUMP
25	F1860		2	SLOTTED BINDING HEAD SCREW, 6 - 32 X 1/4
-	F2A664746		1	FUEL PUMP COMPLETE INCLUDES ITEMS 1, 2, 7, 8 & 11 THRU 20
27	F441754-1		1	HOSE, RECIRCULATION

POWER HEAD

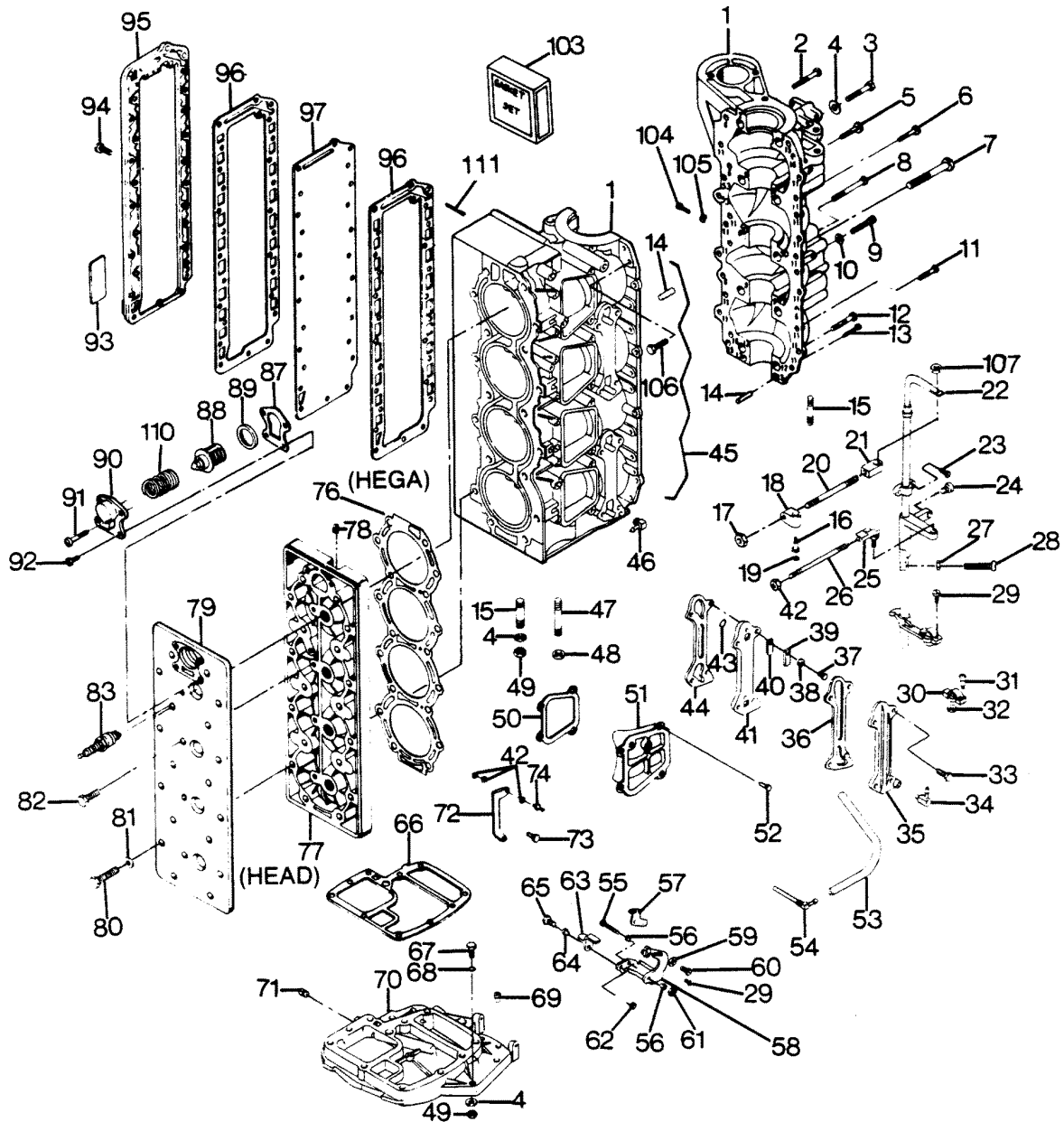


POWER HEAD

REF. NO.	PART NO.	SYM.	QTY.	DESCRIPTION
1	FA686010		1	CYLINDER W/CRANKCASE COVER
-	FC686010		1	SHORT BLOCK CONTAINS ALL ITEMS MARKED WITH AN ASTERISK(*). ALSO REFER TO CRANKSHAFT PAGE.
2	F1874		1	HEX HD. SCREW, 3/8 - 16 X 1/8
3	F1009		1	HEX HD. SCREW, 3/8 - 16 X 2-3/4
4	F8038		4	PLAIN WASHER
5	F2008		2	HEX HD. SCREW, 1/4 - 20 X 7/8
6	F2008		3	HEX HD. SCREW, 1/4 - 20 X 7/8
7	F1873		2	HEX CAP SCREW, 3/8 - 16 X 3
8	F1699		1	HEX HD. SCREW, 1/4 - 20 X 1-1/8
9	F1253		4	HEX SOCKET HD. CAP SCREW, 3/8 - 16 X 2
10	F8104		4	PLAIN WASHER
11	F1864		16	HEX HD. SCREW, 1/4 - 20 X 3/4
12	F1872		2	HEX CAP SCREW, 3/8 - 16 X 1-3/4
13	F1504		2	FILL HD. SCREW, 1/4 - 20 X 1-1/4
14	F8563		2	DOWEL PIN
15	F85859		4	STUD
16	F499026		1	SWIVEL
17	F2015		1	HEX NUT 1/4 - 28
18	F499035		1	END, CONTROL ROD (TO TOWERSHAFT)
208	F5445		1	CONTROL ROD
2149	F9036		1	END, CONTROL ROD (TO TRIGGER)
22	817960A2		1	TOWERSHAFT W/ILLUS. 30, 76, 77, 24, 25, 27 AND 28 ORIGINAL FORCE P/N K 491838-1
23	F1829		2	FILL HD. SCREW, 10 - 24 X 7/8
24	F1727		1	PLASTIC RIVET
25A	F269141-1		1	BALL JOINT W/STUD
26	F85502		1	THROTTLE LINK
27	F1341		1	HEX NUT, 1/4 - 20
28	F1052		1	FILL HD. SCREW, 1/4 - 20 X 1
29	F1556		2	FILL HD. SCREW, W/LOCKWASHER, 10 - 24 X 3/8
30	FK405020		2	SWIVEL W/CLAMP, SHOULDER SCREW AND NUT
31	F405457		1	PIVOT SCREW
32	F7008		1	ELASTIC STOP NUT
33	F1532		8	HEX HD. SCREW, 1/4 - 20 X 1
34	22-818103--1		1	ELBOW, CYLINDER DRAIN LOWER
-	F404801		1	ELBOW, CYLINDER DRAIN UPPER (NOT SHOWN)
35	F686471-1		2	CYLINDER DRAIN COVER
36	F686472		2	GASKET, CYLINDER DRAIN COVER
37	F1286		4	PAN HD. SCREW, 4 - 40 X 3/16
38	F8003		4	PLAIN WASHER
39	F93920		4	REED STOP
40	F18160-3		4	CYLINDER DRAIN REED

CONTINUED ON NEXT PAGE ➡

POWER HEAD

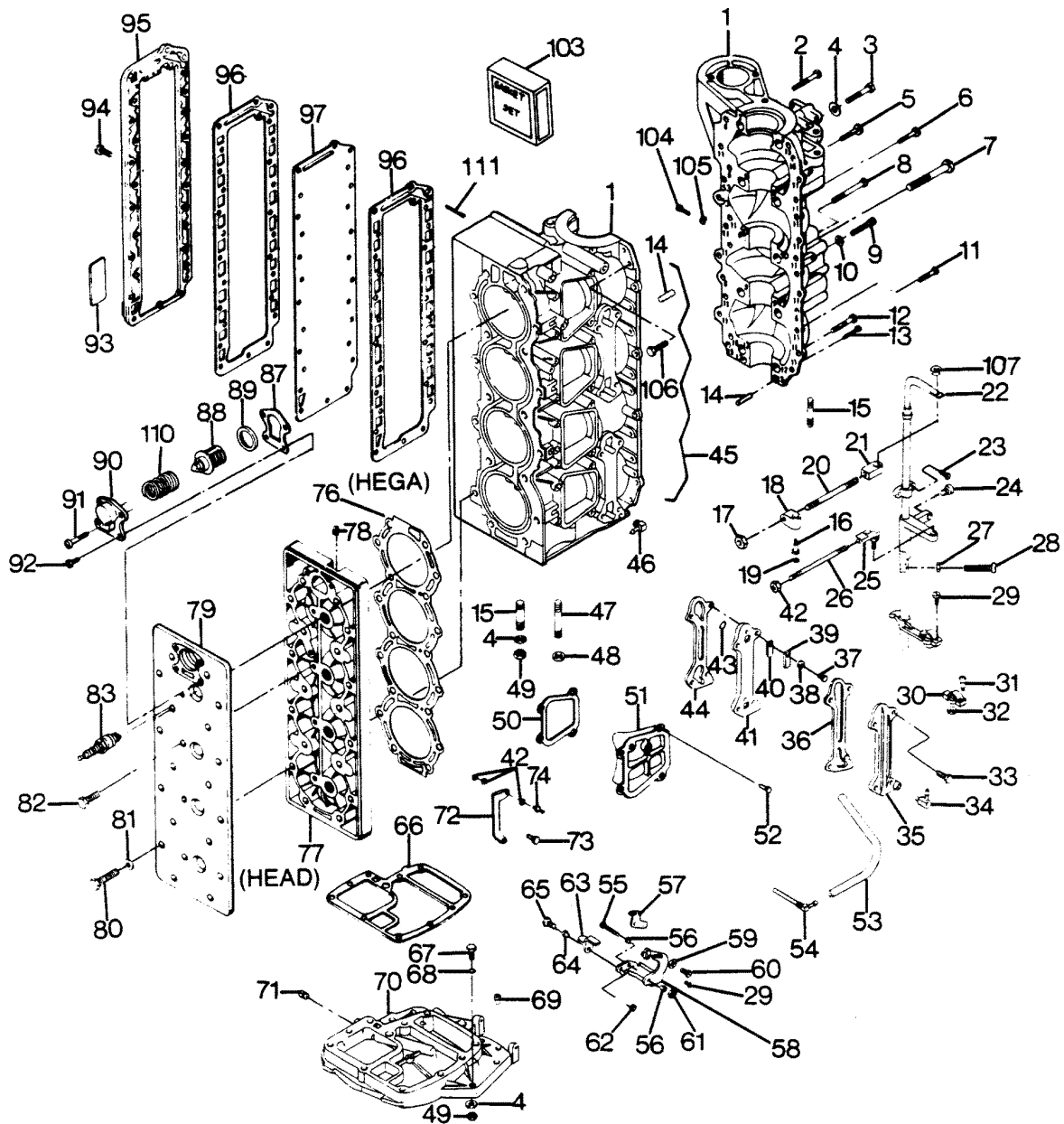


POWER HEAD

REF. NO.	PART NO.	SYM.	QTY.	DESCRIPTION
41	F2A476757		2	CYLINDER DRAIN REED PLATE W/ILLUS. 37, 38, 39, 40 AND 43
42	F1513		2	HEX NUT, 10 - 32
43	F93811		4	SCREEN
44	F84748-3		2	GASKET, CYL. DRAIN REED PLATE
45	F184122-1		1	SEAL, PARTING LINE
46	F84314-2		1	ELBOW
47	F85211		6	STUD
48	F8095		12	PLAIN WASHER
49	F7004		10	STOP NUT, 3/8 - 16
50	F40223		4	GASKET, TRANSFER PORT COVER
51	FA411222		3	TRANSFER PORT COVER W/ILLUS. 76 AND LITERATURE.
52	F1922		9	HEX CAP SCREW, 1/4 - 20 X 5/8
53	F406754-1		1	HOSE
54	F404314		1	FITTING
55	F1885		1	HEX BOLTS. S.S., 5/16 - 18 X 4-1/4
56	F85610		2	BEARING
57	F480107-1		1	CAM, STARTER INTERLOCK
58	FA480876		1	GEAR SHIFT ARM W/ILLUS. 30, 56, 62, 63, 64 AND 65
59	F2042		2	PLAIN WASHER
60	F2089		2	SLOTTED PAN HD. M. SCREW, 10 - 24 X 5/16
61	F2108		1	STOP NUT, 5/16 - 18
62	F1832		1	STOP NUT, 1/4 - 20
63	F369977-1		1	INTERLOCK ARM
64	F369610		1	BEARING
65	F369887		1	SHOULDER SCREW
66	F85279-2		1	GASKET, CYLINDER EXHAUST UPPER
67	F1869		6	HEX CAP SCREW, 3/8 - 16 X 1-1/4
68	F1703		6	LOCKWASHER
69	F40689-1		1	BEARING
70	817788A3		1	SPACER PLATE W/ILLUS. 71 ORIGINAL FORCE P/N A 404680-2
71	F2090		1	PLUG
72	FS85872-1		1	BRACKET
73	F1864		2	HEX CAP SCRWB, 1/4 - 20 X 3/4
74	F98273		2	ROD END CONNECTOR STUD
75	F1804		2	STOP NUT
76	F476529-1		1	CYLINDER HEAD GASKET
77	F665518		1	CYLINDER HEAD
78	F19109		1	PLUG
79	F665995		1	COVER, CYLINDER HEAD
80	F2049		18	HEX CAP SCREW, 5/16 - 18 X 2-5/8
81	F1987		18	PLAIN WASHER
82	F2008		4	HEX CAP SCREW, 1/4 - 20 X 7/8

CONTINUED ON NEXT PAGE ➡

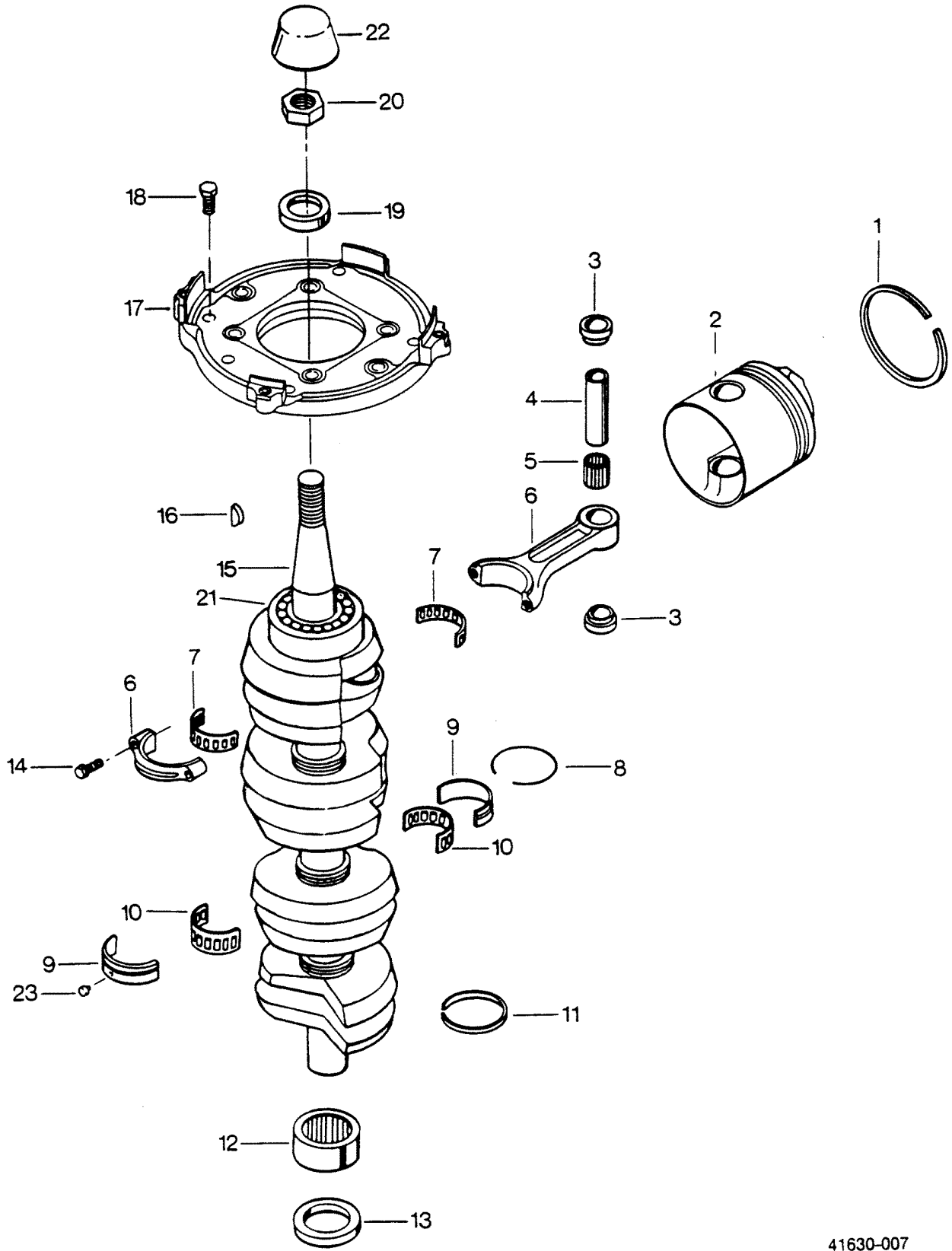
POWER HEAD



POWER HEAD

REF. NO.	PART NO.	SYM.	QTY.	DESCRIPTION
83	33-818007--1		4	SPARK PLUG (CHAMPION UL 18V) - USA
87	F476067		1	GASKET
88	F664068		1	THERMOSTAT - 130
89	F664258		1	GROMMET (THERMOSTAT)
90	F476066-1		1	THERMOSTAT COVER
91	F1504		2	FILL HD. SCREW, 1/4 - 20 X 1/1-4
92	F1107		2	SLOTTED FILL HD. CAP SCREW, 1/4 - 20 X 3/4
93	FC529398		1	DECAL, WIRING
94	F1699		27	HEX BOLT, 1/4 - 20 X 1-1/8
95	F686152		1	EXHAUST PORT COVER
96	F686154		2	GASKET, EXHAUST PORT PLATE
97	F686151		1	PLATE, EXHAUST PORT
103	FG1026		1	GASKET SET
104	F2000		1	HEX CAP SCREW, 5/16 - 18 X 3/4
105	F8096		1	SPRING LOCKWASHER
106	F1532		2	HEX HD. SCREW, 1/4 - 20 X 1
107	F7009		1	LOCK NUT, #10 - 24
108	FA607689		2	BEARING TOWERSHAFT WILLUS. 23
109	F491689-1		1	BEARING TOWERSHAFT UPPER
110	F664268		1	SPRING
111	F686418		1	WATER JACKET TUBE (TOP)
-	F686943		3	WATER JACKET TUBE

CRANKSHAFT AND PISTON



CR4200

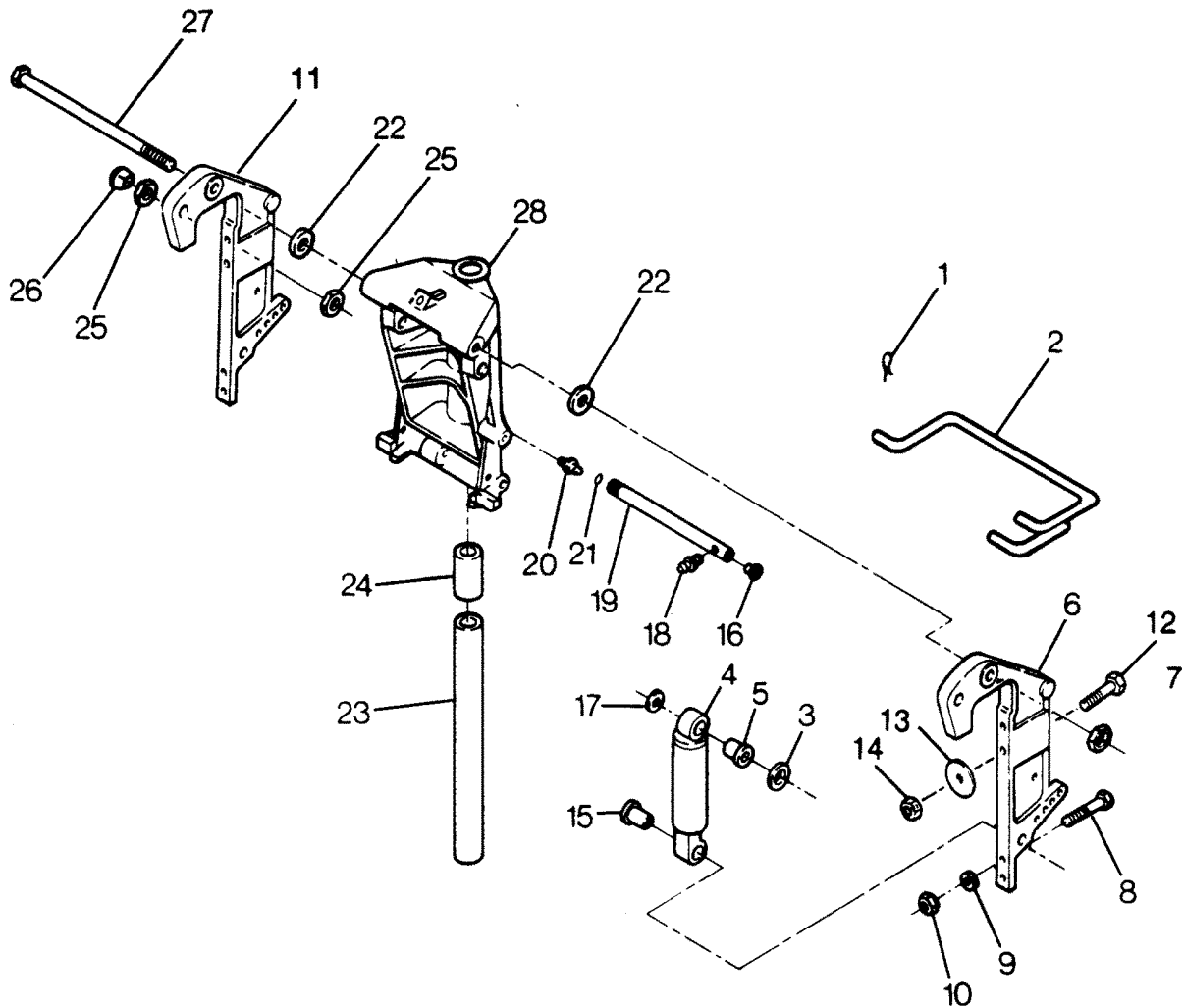
22

41630-007

CRANKSHAFT AND PISTON

REF. NO.	PART NO.	SYM.	QTY.	DESCRIPTION
1	FA335260		4	PISTON RINGS (2 PER SET) STANDARD
-	FSA335260		4	PISTON RINGS (2 PER SET) .010 OVERSIZE
-	39-818110A1		4	PISTON RINGS (2 PER SET) .030 OVERSIZE
2	FA686015		4	PISTON - STANDARD
-	FSA686015		4	PISTON .010 OVERSIZE
-	700-818111A2		4	PISTON .030 OVERSIZE
3	F335215		8	SPACER, PISTON PIN (2 PER PISTON)
4	F85017		4	PISTON PIN
5	F335217-1		4	BEARING PISTON PIN (26 PER SET)
6	600-818052A4		4	CONNECTING ROD W/CAP AND ILLUS. 14 ORIGINAL FORCE P/N 2A 335016-3
7	FK85228-1		4	BEARING CAGE W/ROLLER
8	F85410		3	SNAP RING
9	FA85655-1		3	CRANKSHAFT MAIN BEARING RACE W/ILLUS. 8
10	F85571		3	BEARING CAGE W/ROLLER
11	F316579		3	SEAL, CRANKCASE
12	FA523014		1	CRANKSHAFT LOWER MAIN BEARING W/ILLUS. 13
13	F523146-1		1	SEAL, CRANKSHAFT LOWER
14	F85634-2		6	CONNECTING ROD SCREW
15	FA528018		1	CRANKSHAFT W/ILLUS. 11 AND 21
16	F85498-1		1	FLYWHEEL KEY
17	F2A615144		1	CRANKSHAFT BEARING CAGE W/ILLUS. 19
18	F2081		5	HEX SOC. HD. SCREW, 1/4 - 20 X 3/4
19	F523146-1		1	SEAL, CRANKSHAFT UPPER
20	F1968		1	FLYWHEEL NUT
21	F284659-2		1	CRANKSHAFT THRUST BEARING, UPPER
22	F2067		1	PLASTIC CAP
23	F85909-1		4	BEARING LOCATING PIN (PRESSED INTO BLOCK)

SWIVEL BRACKET AND STERN BRACKETS MODELS WITH POWER TRIM

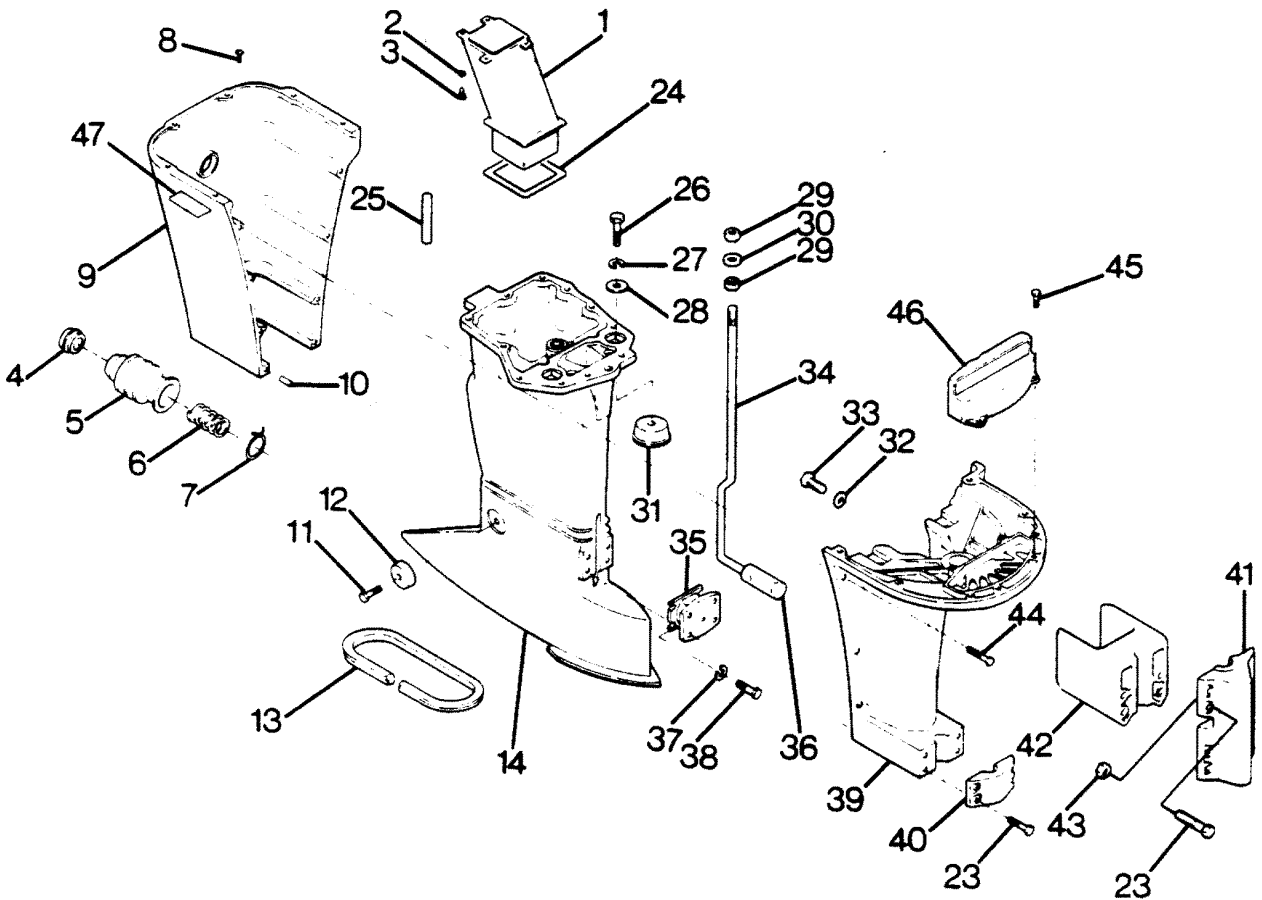
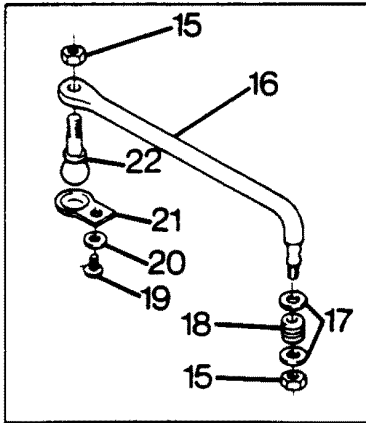


SWIVEL BRACKET AND STERN BRACKETS MODELS WITH POWER TRIM

REF. NO.	PART NO.	SYM.	QTY.	DESCRIPTION
1	F525629		1	COTTER PIN
2	F5H179		1	TRAILERING BRACKET
3	F1710		4	WASHER
4	FS631962		1	SHOCK ABSORBER W/BUSHING
5	F178344		1	BUSHING
6	F685532		1	STERN BRACKET, PORT
7	F7012		1	STOP NUT
8	F2185		2	HEX HD. SCREW, 3/8 - 16 X 3-1/2 S.S.
9	FK684201		2	WASHER
10	F1346		2	HEX NUT, 3/8 - 16 S.S.
11	F685032		1	STERN BRACKET, STARBOARD
12	F685632		2	HEX BOLT, 1/2 - 20 X 7 S.S.
13	F684201		2	PLATE
14	F7056		2	LOCK NUT, 1/2 - 20
15	F449362		2	BEARING
16	F9052		1	PLUG
17	F1711		2	SPRING BOWED WASHER
18	F523274		1	GREASE FITTING
19	F511125-2		1	TUBE, STEERING SUPPORT
20	F213274		3	GREASE FITTING
21	F316599		1	SEAL
22	F84286-1		4	FRICTION WASHER
23	FS85019		1	KINGPIN (20 INCH MODELS)
-	FA500019		1	KINGPIN (25 INCH MODELS)
24	F438169		2	BEARING
25	F523280		2	NUT
26	F9018		1	CAP
27	F85037-1		1	BOLT, STERN BRACKET PIVOT
28	817783A5		1	SWIVEL BRACKET W/GREASE FITTINGS

MOTOR LEG

STEERING LINK



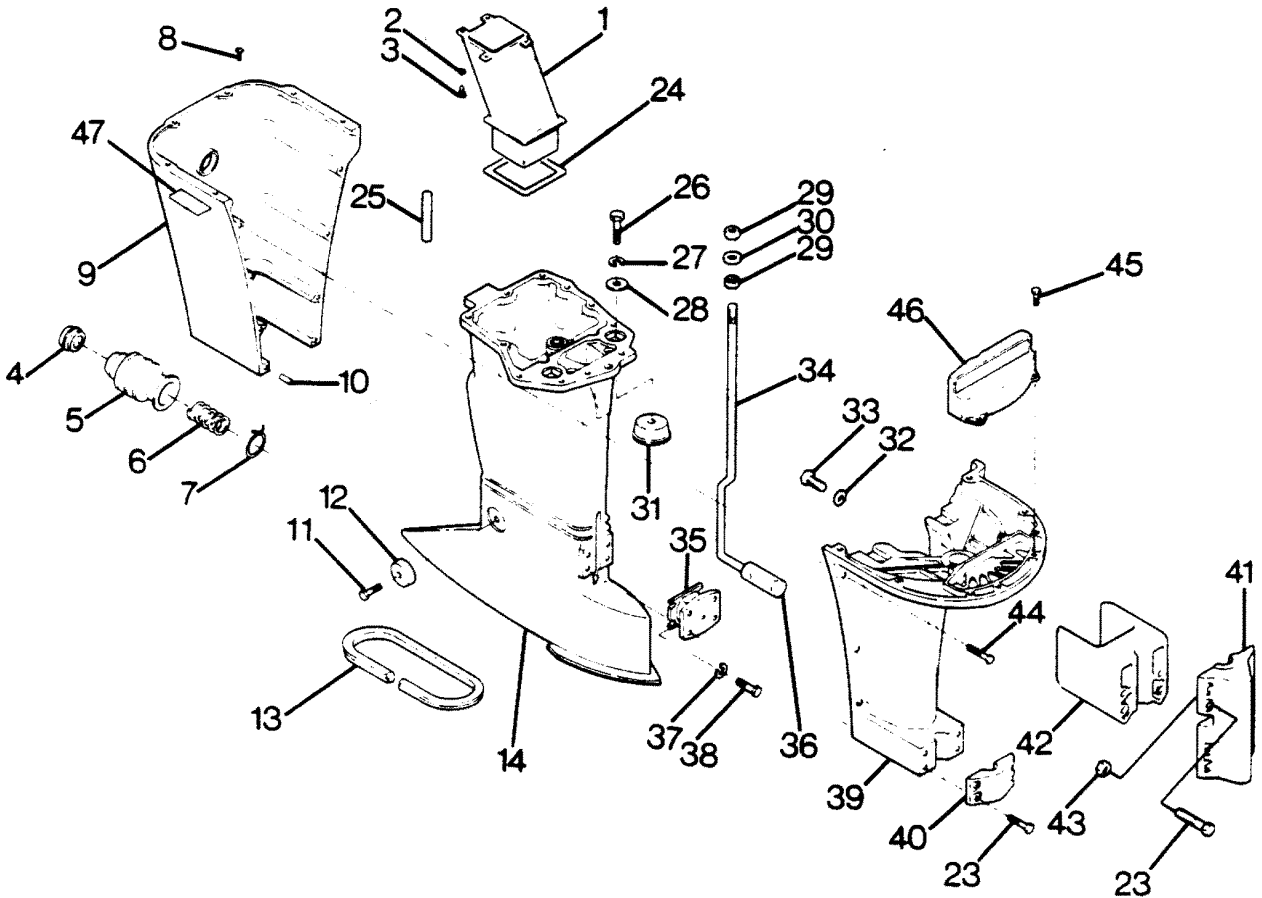
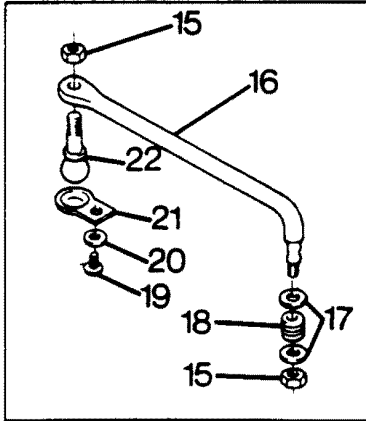
MOTOR LEG

REF. NO.	PART NO.	SYM.	QTY.	DESCRIPTION
1	F85660-1		1	EXHAUST TUBE
2	F8083		4	SPRING LOCKWASHER
3	F1864		4	HEX SLOT HD. SCREW, 1/4 - 20 X 3/4
4	F85258		1	INSERT
5	F85130		1	BOOT, IDLE EXHAUST
6	F85380		1	SPRING
7	F85772		1	CLAMP
8	F1729		2	PLUG
9	F685145		1	COVER, MOTOR LEG REAR
10	F1664		2	SPRING PIN
11	F1263		2	HEX SOCKET HD. CAP SCREW, 5/16 - 18 X 9/16
12	F438962		2	MOUNT, LOWER REAR SHOCK
13	F178323		1	SEAL
14	F523133-2		1	MOTOR LEG (20 INCH MODELS)
-	F631133		1	MOTOR LEG (25 INCH MODELS)
15	F2093		2	STOP NUT, 3/8 - 24
16	F5H094		1	STEERING LINK KIT
17	F8038		2	WASHER
18	F523300-1		1	SPRING
19	F1280		1	PAN HD. SCREW, 8 - 32 X 1/4
20	F8080		1	SPRING LOCKWASHER
21	F523930		1	RETAINER
22	F523273		1	STUD
23	F1696		8	HEX BOLT, 5/16 - 18 X 1
24	F2030		6	HEX HD. SCREW, 1/4 - 20 X 1-1/4
25	F686660		2	STAND TUBE
26	F1871		4	HEX HD. SCREW, 3/8 - 16 X 3/4
27	F2014		2	WASHER
28	FA85355-1		2	WASHER SET
29	F2018		2	LOCKNUT
30	F1987		1	WASHER
31	F85965		2	MOUNT, UPPER SHOCK
32	F1703		2	SPRING, LOCKWASHER
33	F1871		4	HEX HD. SCREW, 3/8 - 16 X 3/4
34	F85615-1		1	ROD, GEAR SHIFT UPPER (20 INCH MODELS)
-	F500615		1	ROD, GEAR SHIFT UPPER (25 INCH MODELS)
35	F438346		1	MOUNT, LOWER SHOCK
36	F85704		1	COUPLER, GEAR SHIFT ROD
37	F8096		4	SPRING LOCKWASHER
38	F1822		4	HEX BOLT, 5/16 - 18 X 7/8
39	FA85135-4		1	COVER, FRONT LEG
40	F85606		1	CAP, KING PIN (20 INCH MODELS)
41	F631606		1	CAP, KING PIN (25 INCH MODELS)

CONTINUED ON NEXT PAGE ➡

MOTOR LEG

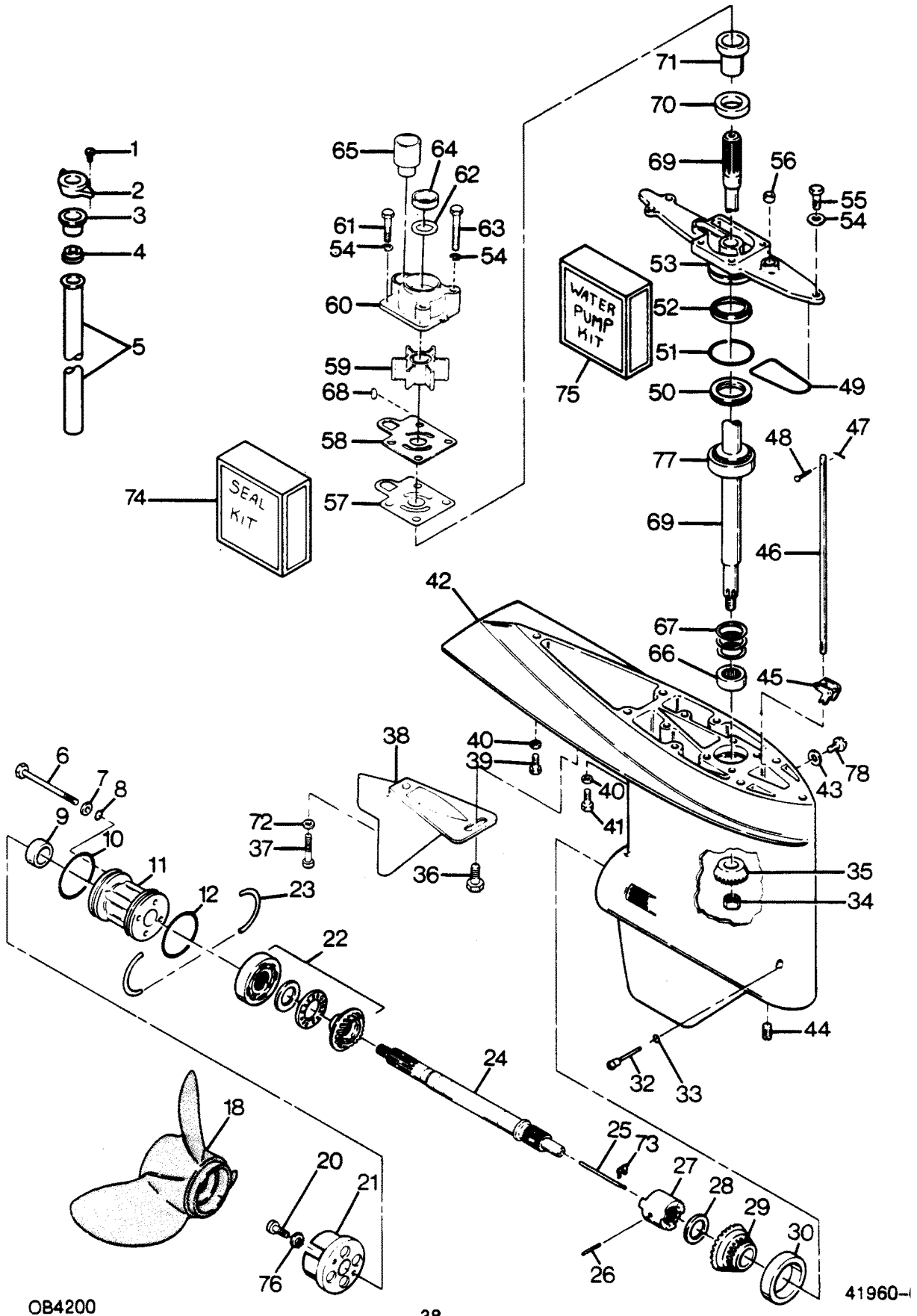
STEERING LINK



MOTOR LEG

REF. NO.	PART NO.	SYM.	QTY.	DESCRIPTION
42	F631707		1	COVER, SHOCK MOUNT LOWER (25 INCH MODELS)
43	F1515		4	HEX NUT, 5/16 - 18
44	F2030		6	HEX HD. CAP SCREW, 1/4 - 20 X 1-1/4
45	F1912		4	HEX HD. SCREW, 10 - 24 X 1/2
46	F85779-1		1	BAFFLE, AIR INTAKE
47	F680374		1	DECAL, "SWIRL CHARGED INDUCTION"

GEAR HOUSING



OB4200

2R

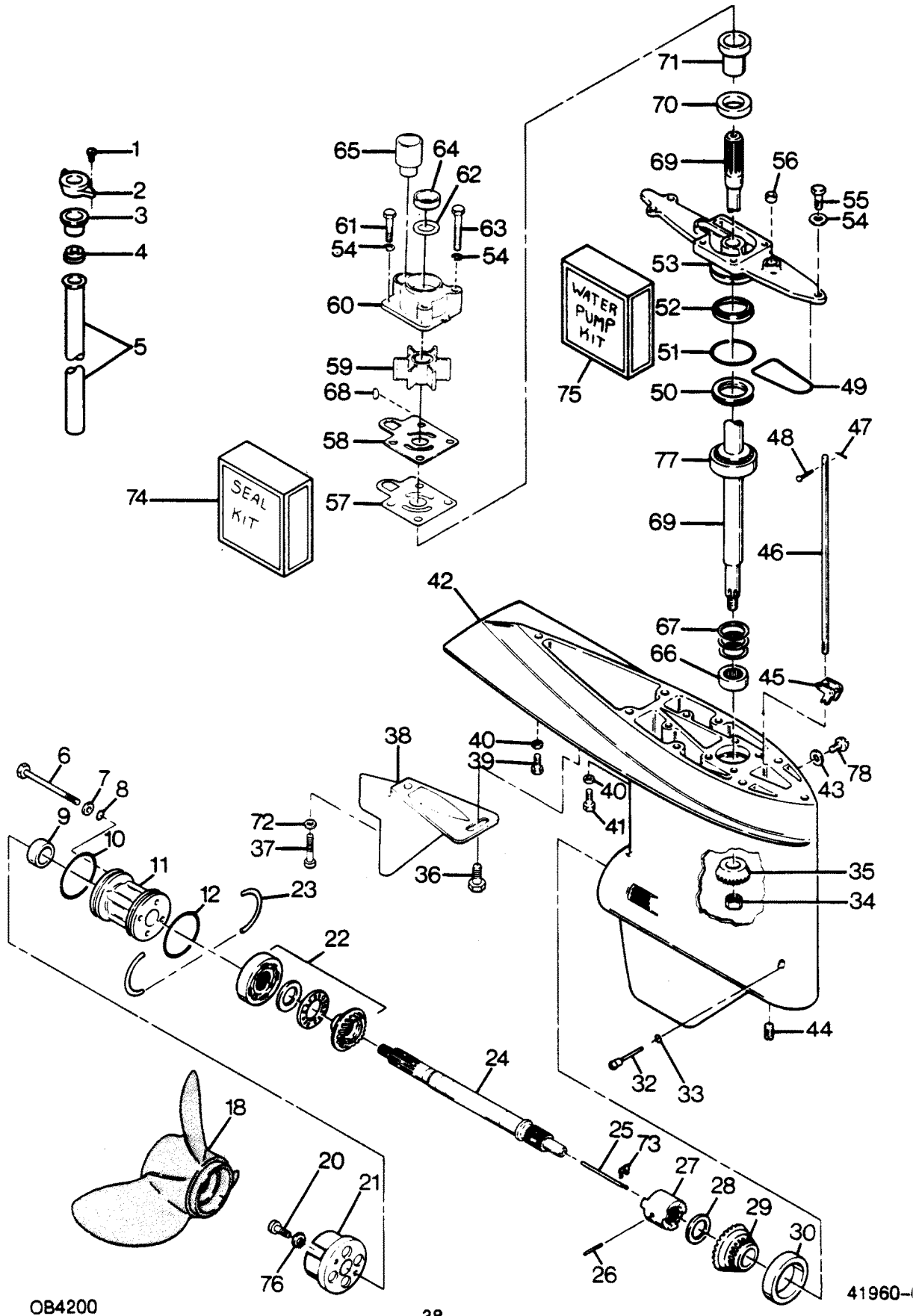
41960-1

GEAR HOUSING

REF. NO.	PART NO.	SYM.	QTY.	DESCRIPTION
1	F1705		2	HEX CAP SCREW, 1/4 - 20 X 3/4 S.S.
2	F85117		1	BRACKET, WATERLINE
3	F84342		1	SEAL, INLET WATERLINE, UPPER
4	F523899		1	GROMMET, WATERLINE
5	F523244		1	INLET WATERLINE (20 INCH MODELS)
-	F500244		1	INLET WATERLINE (25 INCH MODELS)
6	F1885		4	HEX CAP SCREW, 5/16 - 18 X 4-1/4 S.S.
7	F1907		4	PLAIN WASHER S.S.
8	F50342-1		4	SEAL, BEARING CAGE BOLTS
9	F506118		1	SEAL, PROPELLER SHAFT
10	F24278		1	SEAL, O-RING PROPELLER SHAFT SPOOL
11	F2A523239		1	SPOOL, PROPELLER SHAFT BEARING W/SEAL AND ILLUS. 9
12	F84305		1	SEAL, PROPELLER SHAFT BEARING SPOOL
20	F1112		2	FILL HD. SCREW, 1/4 - 20 X 7/8
21	FA523485		1	ANTI-CORROSION ANODE W/LITERATURE
22	FA686662		1	BEVEL GEAR REAR W/BEARING CAGE, SPACER AND BEARING
23	F523411		2	RETAINING RING
24	44-817962A2		1	PROPELLER SHAFT W/LITERATURE ORIGINAL FORCE P/N K 523098-1
25	F84871-1		1	PIN, GEAR SHIFT
26	F1713		1	SPRING PIN
27	F84521-2		1	CLUTCH
28	F1936		A/R	SPACER, BEVEL GEAR FRONT .059
-	F1937		A/R	SPACER, BEVEL GEAR FRONT .062
-	F1938		A/R	SPACER, BEVEL GEAR FRONT .065
-	F1939		A/R	SPACER, BEVEL GEAR FRONT .068
-	F1940		A/R	SPACER, BEVEL GEAR FRONT .071
-	F1941		A/R	SPACER, BEVEL GEAR FRONT .074
-	F1942		A/R	SPACER, BEVEL GEAR FRONT .077
-	F2113		A/R	SPACER, BEVEL GEAR FRONT .080
-	F2114		A/R	SPACER, BEVEL GEAR FRONT .083
-	F2115		A/R	SPACER, BEVEL GEAR FRONT .086
-	F2116		A/R	SPACER, BEVEL GEAR FRONT .089
-	F2121		A/R	SPACER, BEVEL GEAR FRONT .057
-	F2122		A/R	SPACER, BEVEL GEAR FRONT .054
29	F2A686023		1	BEVEL GEAR FRONT W/BEARING
30	F523813		1	BEARING CUP
32	F498891		1	PIN, GEAR SHIFT ARM
33	F498618		1	SEAL
34	F523188		1	NUT, BEVEL PINION RETAINING
35	FA686266		1	BEVEL PINION GEAR W/ILLUS. 50 AND SHIMS
36	F438930		1	RETAINER, SNOUT
37	F1994		1	HEX SOCKET HD. CAP SCREW, 5/16 - 18 X 1

CONTINUED ON NEXT PAGE ➡

GEAR HOUSING



OB4200

2R

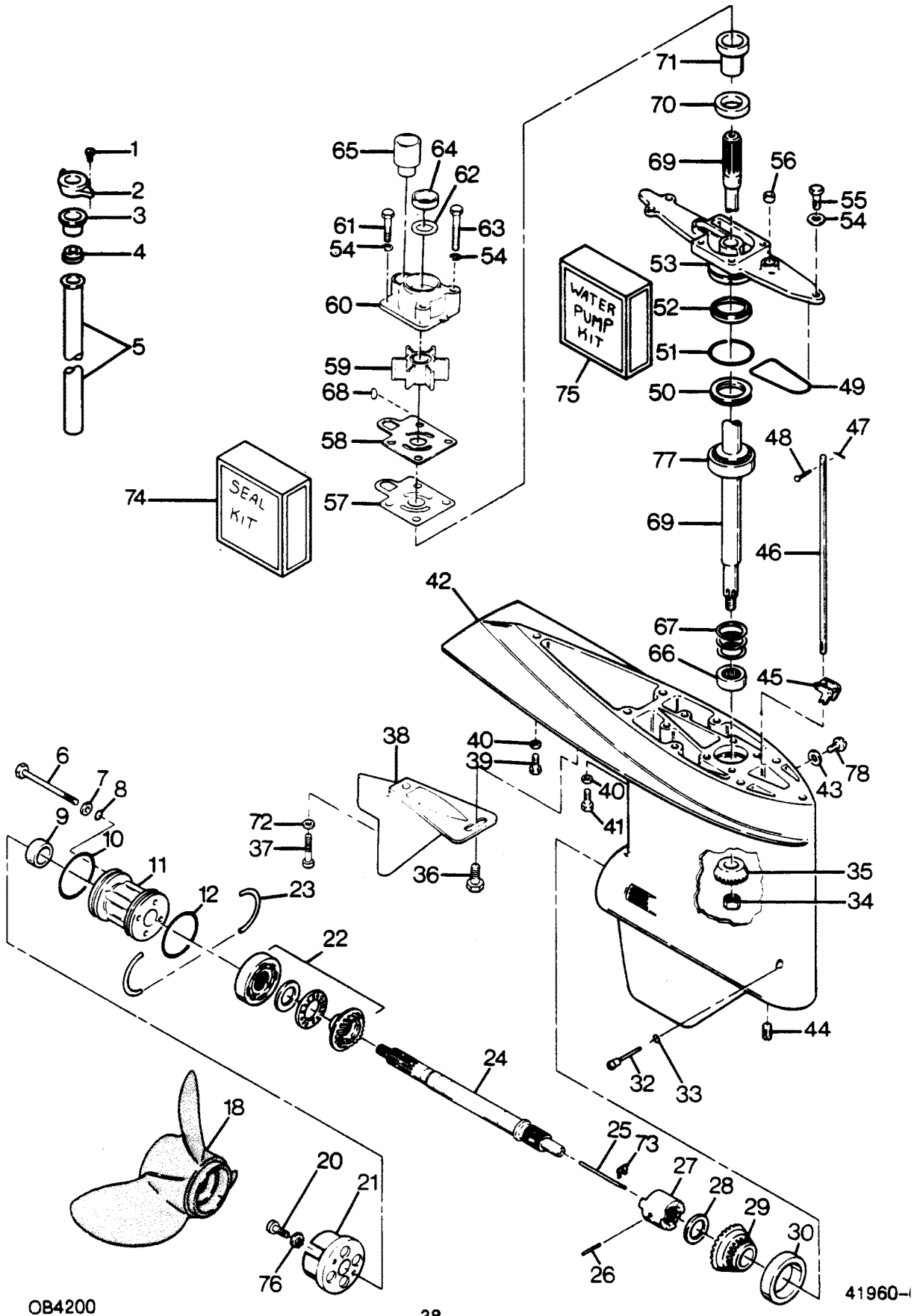
41960-1

GEAR HOUSING

REF. NO.	PART NO.	SYM.	QTY.	DESCRIPTION
38	F523116-1		1	EXHAUST SNOOT
39	F1858		1	HEX CAP SCREW, 5/16 - 18 X 1
40	F8096		7	SPRING LOCKWASHER
41	F1491		6	HEX HD. SCREW, 5/16 - 18 X 3/4
42	FA523054		1	GEAR HOUSING W/DRIVESHAFT BEARING LOWER ILLUS. 30, 31, 43 AND 44
43	F8077		2	WASHER, GEAR HOUSING PLUG
44	FA523109		1	PLUG, GEAR HOUSING
45	FA84621-1		1	COUPLING, GEAR SHIFT ARM W/BUSHING
46	F523705		1	GEAR SHIFT ROD LOWER
47	F1015		1	COTTER PIN
48	F85372		1	PIN, GEAR SHIFT ROD LOWER
49	F523555		1	SEAL, O-RING, GEAR HOUSING COVER
50	F523961		1	CRUSH RING
51	F74305		1	SEAL, DRIVESHAFT BEARING CAGE
52	F506118		1	SEAL, DRIVESHAFT
53	F2A550706		1	GEAR HOUSING COVER W/ILLUS. 52
54	F8083		7	SPRING LOCKWASHER
55	F1999		3	HEX CAP SCREW, 1/4 - 20 X 7/8 S.S.
56	F338618-1		1	SEAL, GEAR SHIFT ROD
57	F523031		1	GASKET, WATER PUMP
58	F523562		1	WATER PUMP BACK PLATE
59	F523065-1		1	WATER PUMP IMPELLER
60	46-817853A1		1	WATER PUMP BODY W/ILLUS. 62, 64 AND 65 ORIGINAL FORCE P/N A 523060-1
61	F1990		2	HEX CAP SCREW, 1/4 - 20 X 1-5/8 S.S.
62	F480388		1	DISC, WATER PUMP LOCATING
63	F1425		2	HEX CAP SCREW, 1/4 - 20 X 2-5/8 S.S.
64	F351307		1	SEAL, WATER PUMP
65	FA523735		1	SEAL, INLET WATERLINE, LOWER W/LITERATURE
66	F523057		1	BEARING, DRIVESHAFT LOWER
67	F9106		A/R	SHIM, DRIVESHAFT BEARING, UPPER .003 - BRASS
-	F9095		A/R	SHIM, DRIVESHAFT BEARING, UPPER .005 - SILVER
-	F9097		A/R	SHIM, DRIVESHAFT BEARING, UPPER .010 - BLACK
68	F523498		1	DRIVE KEY, WATER PUMP
69	45-817967A6		1	DRIVESHAFT W/BEARING ILLUS. 50, 67, AND LITERATURE (20 INCH MODELS) ORIGINAL FORCE P/N K 616128-2
-	45-817961A6		1	DRIVESHAFT W/BEARING ILLUS. 50, 67, AND LITERATURE (25 INCH MODELS) ORIGINAL FORCE P/N K 500128-4
70	F438271		1	RETAINER, CRANKSHAFT SPLINE SEAL
71	F438129		1	SEAL, DRIVESHAFT SPLINE
72	F1856		2	PLAIN WASHER
73	F90619-2		1	YOKE
74	FK1063-2		1	SEAL KIT INCLUDES ITEMS MARKED WITH A *

CONTINUED ON NEXT PAGE ➡

GEAR HOUSING



OB4200

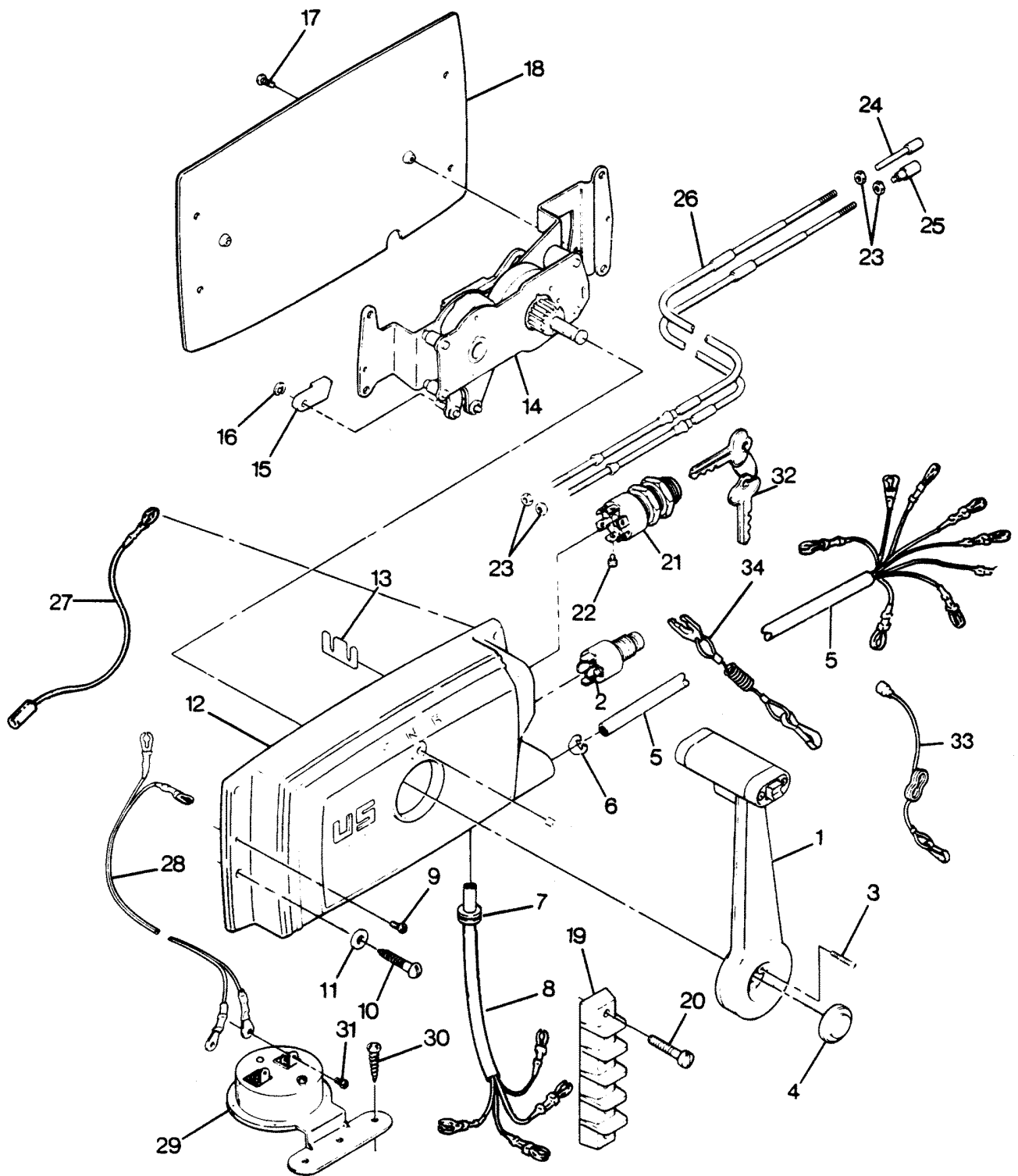
2R

41960-1

GEAR HOUSING

REF. NO.	PART NO.	SYM.	QTY.	DESCRIPTION
-	F50342-1		4	BEARING CAGE BOLT SEAL
-	F506118		1	PROPELLER SHAFT SEAL
-	F24278		1	PROPELLER SHAFT SPOOL SEAL
-	F84305		1	PROPELLER SHAFT SPOOLS SEAL
-	F498618		1	GEAR SHIFT ARM PIN SEAL
-	F8077		3	WASHER
-	F523555		1	GEAR HOUSING COVER SEAL
-	F74305		1	GEAR HOUSING COVER SEAL
-	F84307-1		1	DRIVE SHAFT SEAL
-	F338618-1		1	GEAR SHIFT ROD SEAL
75	FK1069		1	WATER PUMP KIT INCLUDES ITEMS MARKED WITH A **
-	F1425		2	HEX CAP SCREW, 1/4 - 20 X 5/8 S.S.
-	F1990		2	HEX CAP SCREW, 1/4 - 20 X 1-5/8 S.S.
-	F8083		4	SPRING LOCKWASHER
-	F523031		1	GASKET, WATER PUMP
-	F523065-1		1	IMPELLER
-	F523498		1	KEY
-	F523562		1	PLATE, WATER PUMP
-	46-817853A1		1	WATER PUMP W/ILLUS. 62, 64 AND 65 ORIGINAL FORCE P/N A 523060-1
76	F8083		2	LOCKWASHER
77	F522056		1	BEARING
-	FC686054		1	GEAR HOUSING COMPLETE. INCLUDES ALL ITEMS MARKED WITH AN ASTERISK (*). (20 INCH MODELS)
-	FC593054		0	GEAR HOUSING COMPLETE. INCLUDES ALL ITEMS MARKED WITH AN ASTERISK (*). (25 INCH MODELS)
78	F50109		2	PLUG

REMOTE CONTROL

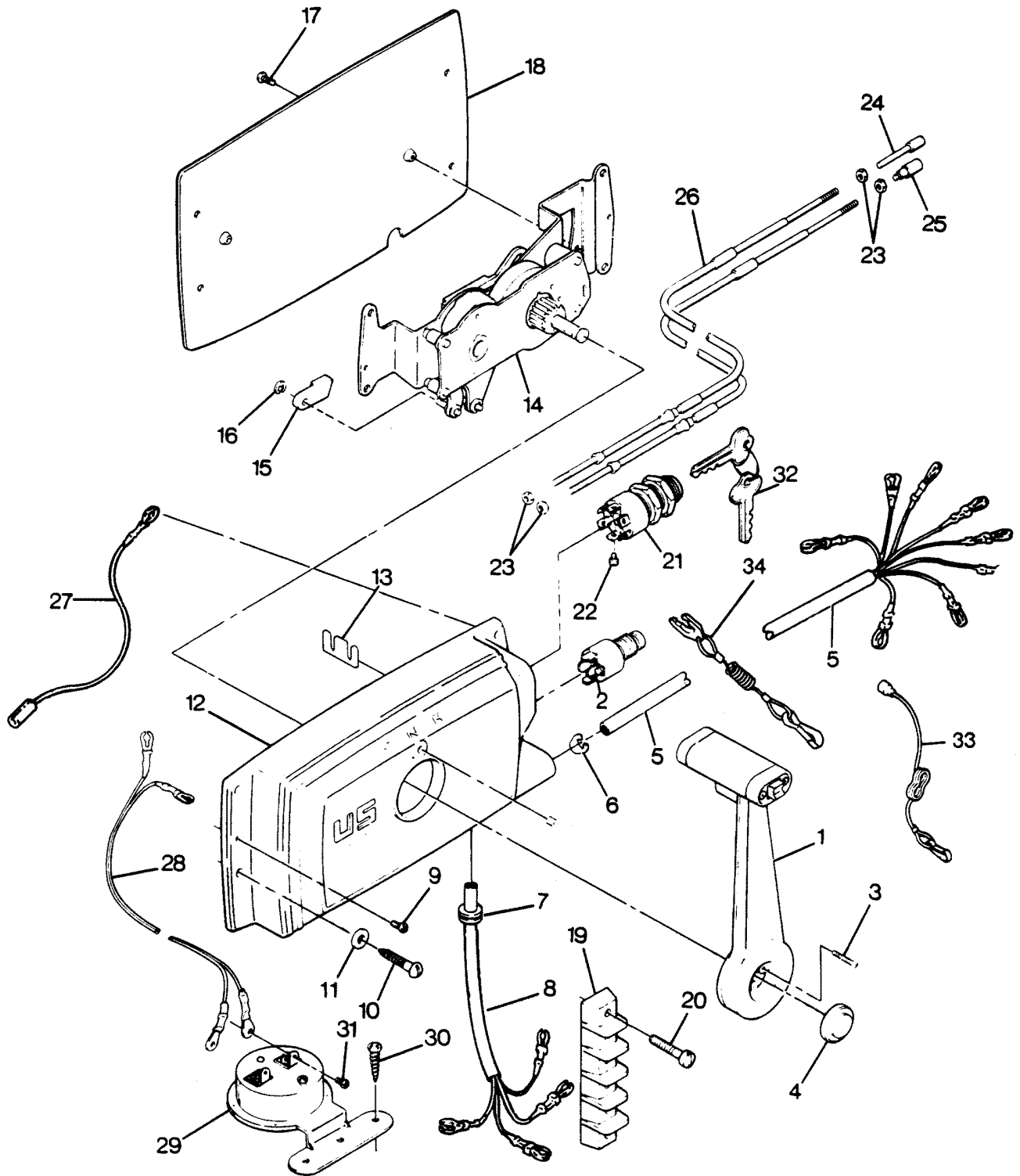


REMOTE CONTROL

REF. NO.	PART NO.	SYM.	QTY.	DESCRIPTION
1	F660611		1	LEVER W/TRIM SWITCH
2	F660602		1	SWITCH (EMERGENCY STOP)
3	F660165		4	SCREW (LEVER TO ACTUATOR)
4	F660332		1	PLUG (WARM-UP BUTTON)
5	F660843		1	CABLE (15-1/2' EMOTE ELECT.)
-	F663843		-	CABLE (19' REMOTE ELECT. - 10 WIRE)
-	F664843		-	CABLE (22' REMOTE ELECT. - 10 WIRE)
-	F591843		-	CABLE (25' REMOTE ELECT. - 10 WIRE)
-	F5H193		-	CABLE (7' EXTENSION FOR 10 WIRE REMOTE ELECTRIC CABLE)
6	F660446		1	CLAMP (REMOTE ELECT. CABLE)
7	F660504		1	GROMMET (REMOTE ACCESSORY CABLE)
8	F660353		1	CABLE ACCESSORY
9	F660480		2	SCREW (COVER TO ACTUATOR)
10	F660732		4	SCREW (CONTROL MOUNTING)
11	F660595		4	WASHER (CONTROL MTG. SCREWS)
12	F660995		1	COVER (ASSEMBLY - REMOTE CONTROL)
13	F660642		1	RETAINER (REMOTE CABLE)
14	F660327		1	ACTUATOR (ASSEMBLY - REMOTE CONTROL)
15	F660141		2	CONNECTOR (CABLE - REMOTE CONTROL)
16	F660411		2	RING (RETAINING)
17	F660751		2	SCREW (PLATE TO ACTUATOR)
18	F660911		1	PLATE (REMOTE CONTROL)
19	F660497		1	BLOCK (TERMINAL)
20	F1741		2	SCREW (TERMINAL BLOCK)
21	F5H077		1	SWITCH (ACCESSORY ITEM) W/ITEMS 22 AND 32
22	F1280		6	SCREW (IGN. SWITCH WIRE TERMINAL)
23	F1513		4	STOP NUTS (CABLE END)
24	FA58976-1		1	CONNECTOR (THROTTLE)
25	F58685-2		1	CONNECTOR (SHIFT)
26	F195/___		1	REMOTE CONTROL CABLE (SPECIFY LENGTH - X)
27	F660664		1	WIRE (IGN. SWITCH TO ACC. TERMINAL BLOCK)
28	F404841		1	CABLE, OVERHEAT BUZZER
29	F5H073		1	BUZZER, OVERHEAT (ACCESSORY ITEM)
30	F1741		2	SCREW, PAN HD. 8-3/4
31	F1645		8	SCREW, RD. HD., SELF-TAPPING, 6 - 32 X 1/4
32	817782--1		1	IGNITION KEY - NO LETTER OR STAMPED A
-	817883--1		1	IGNITION KEY - STAMPED B
-	817891--1		1	IGNITION KEY - STAMPED C

CONTINUED ON NEXT PAGE ➡

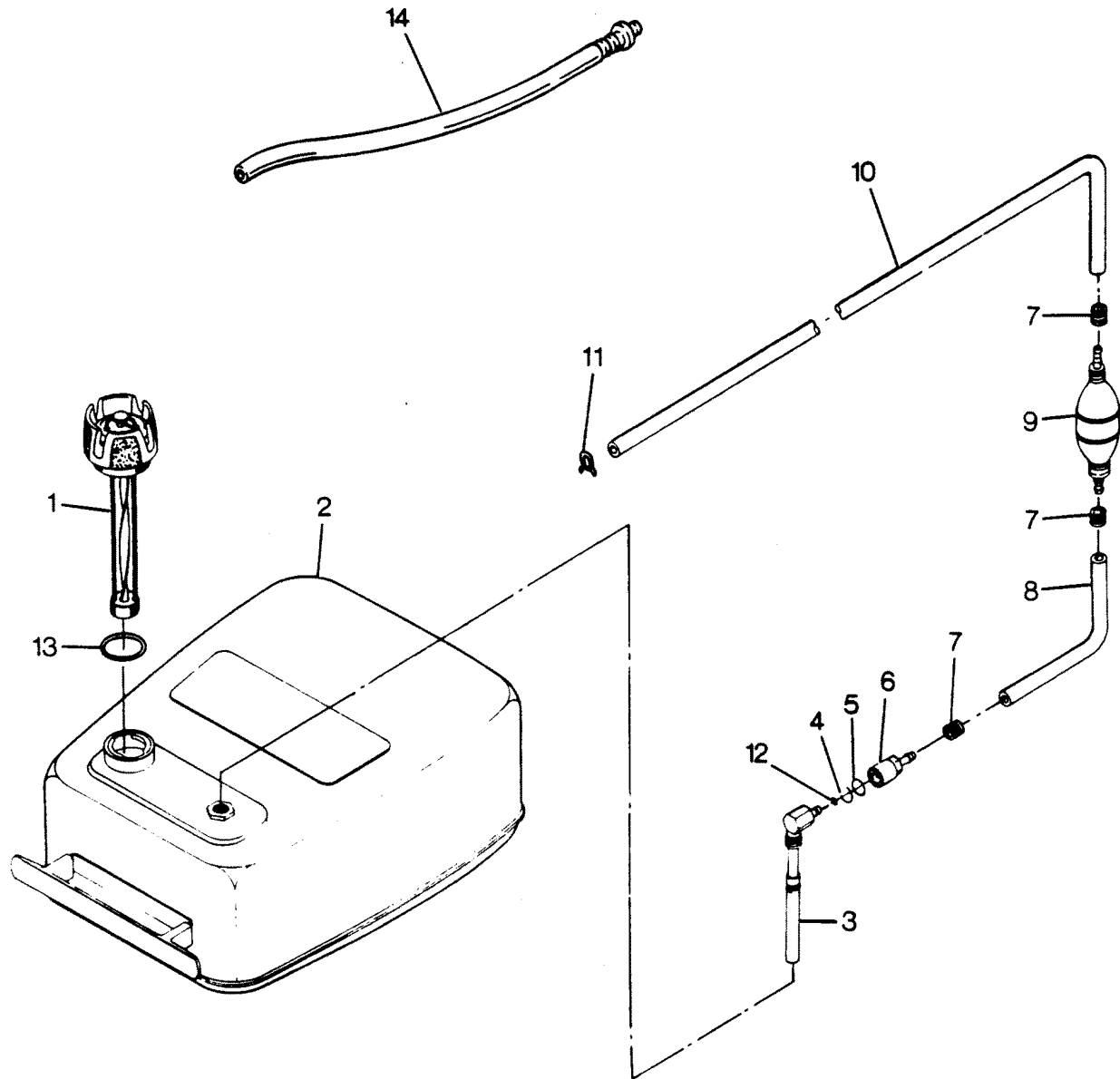
REMOTE CONTROL



REMOTE CONTROL

REF. NO.	PART NO.	SYM.	QTY.	DESCRIPTION
-	817928--1		1	IGNITION KEY - STAMPED D
-	817929--1		1	IGNITION KEY - STAMPED E
33	F660329		1	LANYARD, STOP SWITCH (CUP TYPE)
34	F702329		1	LANYARD, STOP SWITCH (FORK TYPE)
-	F5H198		-	REMOTE CONTROL COMPLETE - WIRED FOR POWER TRIM

FUEL TANK AND LINE

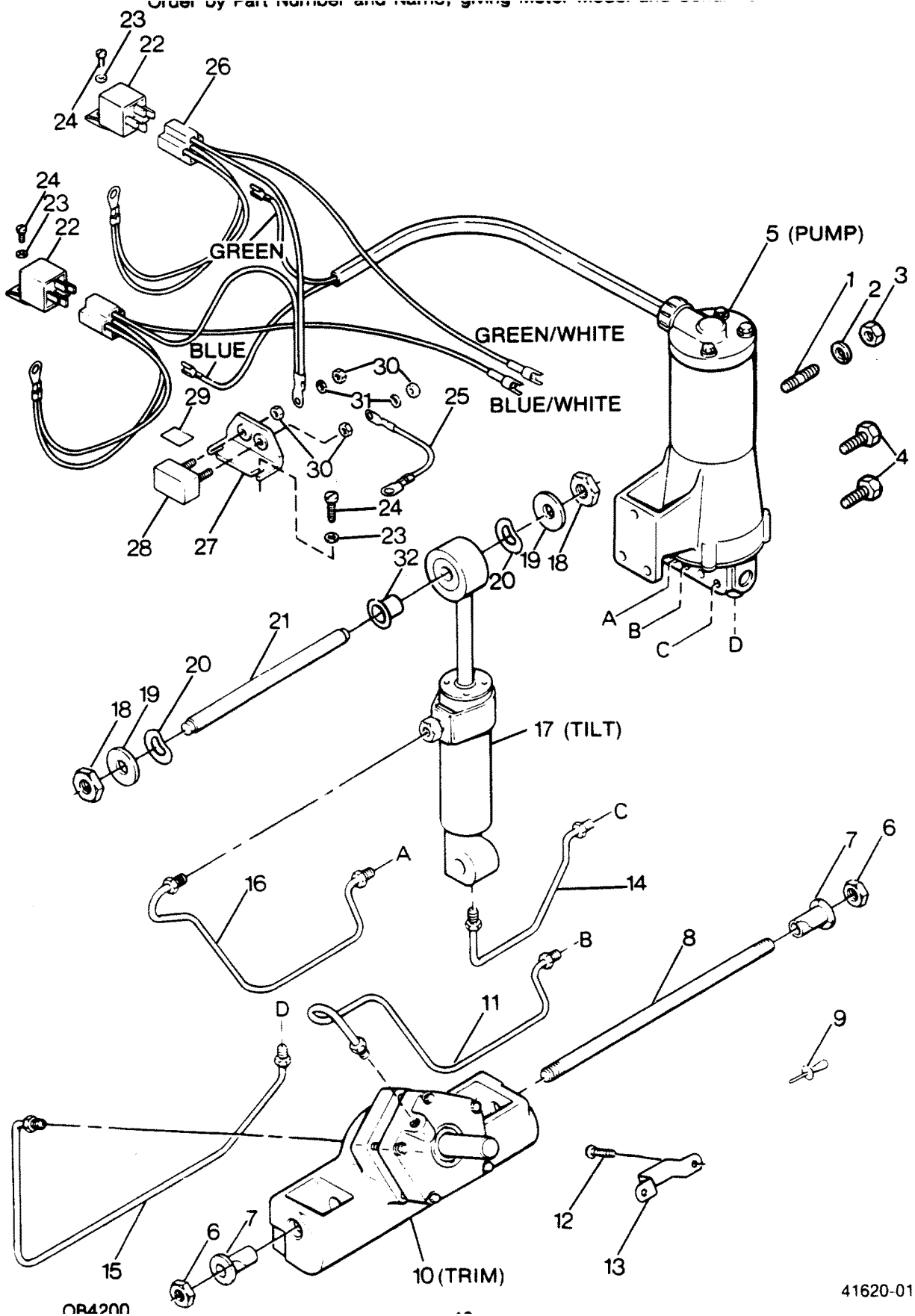


FUEL TANK AND LINE

REF. NO.	PART NO.	SYM.	QTY.	DESCRIPTION
1	F409251-1		1	GAUGE CAP
2	F5H026-1		1	FUEL TANK (ACCESSORY ITEM) W/ILLUSTRATION 1 AND 3
3	F485755-1		1	FUEL TANK ADAPTER
4	F17816		1	SEAL, FUEL LINE COUPLER (LARGE)
5	F17815		1	SEAL, FUEL LINE COUPLER (SMALL)
6	F197787-3		1	FUEL LINE COUPLER
7	F298788		3	FERRULE
8	FA84754-1		1	FUEL LINE SHORT W/FERRULES
9	89396A38		1	PRIME BULB
10	32-817738A1		1	FUEL LINE LONG W/ILLUS. 7 AND 11 ORIGINAL FORCE P/N A 197752-1
11	F97772		1	FUEL LINE CLAMP
12	F17817		1	SEAL, FUEL TANK ADAPTER
13	F17818		1	GASKET
14	FA612754		1	FUEL LINE, SHORT (BAYLINER MODELS)
-	FS409752		1	FUEL LINE COMPLETE (FORCE MODELS). INCLUDES ALL ITEMS MARKED WITH AN ASTERISK (*)
-	FA630752		1	FUEL LINE COMPLETE (BAYLINER MODELS). INCLUDES ALL ITEMS MARKED WITH AN ASTERISK (*)

POWER TRIM UNIT

Order by Part Number and Name, giving motor model and color.

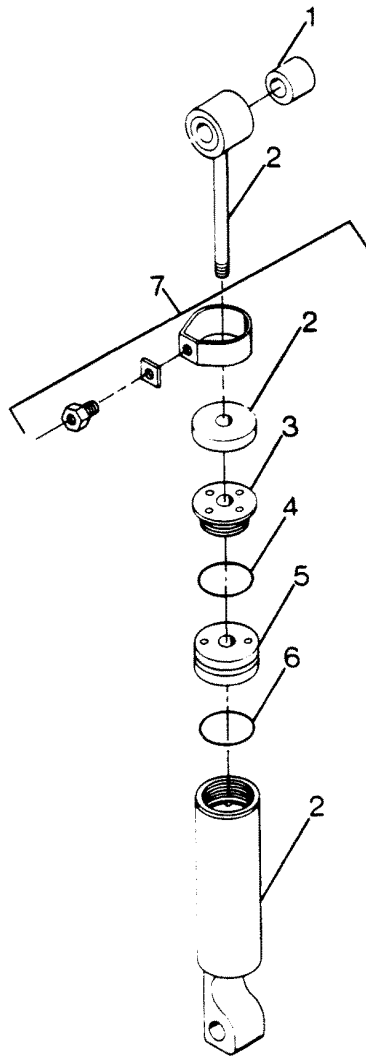


41620-013

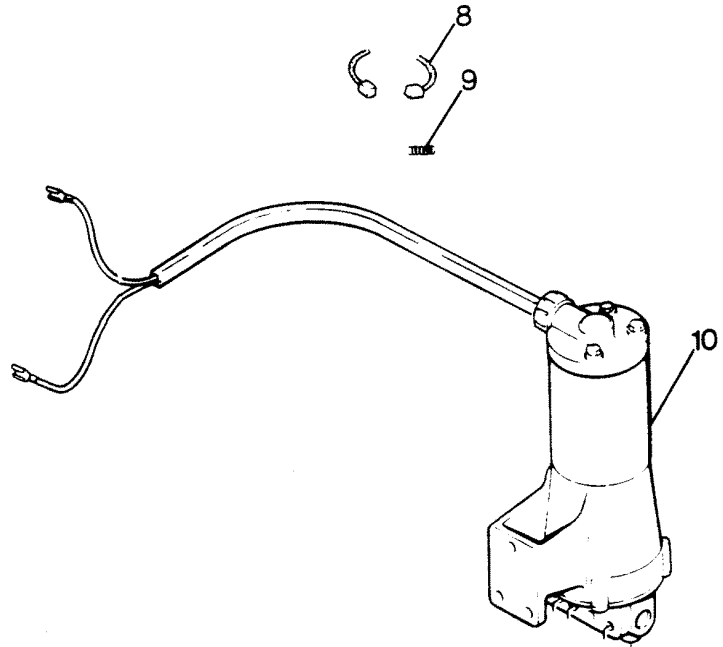
POWER TRIM UNIT

REF. NO.	PART NO.	SYM.	QTY.	DESCRIPTION
1	F660273		1	STUD
2	F8096		1	WASHER, 5/16 LOCK
3	F1515		1	NUT, 5/16 - 18 HEX
4	F1822		2	SCREW, 5/16 - 18 X 7/8 HEX
5	F660541		1	PUMP/MOTOR ASSEMBLY
6	F7053		2	NUT, 5/8 - 18 STOP
7	F449362		2	BEARING, LOWER SHAFT
8	F449632		1	SHAFT, TRIM MOUNT
9	F1966		1	PLUG, PLASTIC
10	818055A3		1	TRIM CYLINDER COMPLETE
11	F660254		1	LINE, UPPER HYDRAULIC TRIM CYLINDER
12	F1734		2	SCREW, 1/4 - 20 X 1/2 W/SPRING LOCKWASHER
13	F449354		1	BRACKET, THRUST
14	F660754		1	LINE, LOWER HYDRAULIC TILT CYLINDER
15	F660253		1	LINE, LOWER HYDRAULIC TRIM CYLINDER
16	F660758		1	LINE, UPPER HYDRAULIC TILT CYLINDER
17	FS654381		1	TRIM CYLINDER COMPLETE
18	F1931		2	NUT, 1/2 - 20 STOP
19	F1710		2	WASHER, PLAIN
20	F1711		2	WASHER, BOWED SPRING
21	F449889		1	SHAFT, UPPER SHOCK
22	F660917		2	RELAY, POWER TRIM
23	F8011		4	WASHER, #10
24	F1760		4	SCREW, #10 - 24 X 3/8 PAN HM.
25	F660908		1	WIRE, RED
26	FA663744		1	WIRING HARNESS
27	F91446-1		1	BRACKET
28	F510460		1	BREAKER, CIRCUIT
29	F510374-1		1	DECAL, CIRCUIT BREAKER
30	F1513		4	NUT, #10 - 32 HEX
31	F1975		2	WASHER, #10 SPRING LOCK
32	F178344		2	BUSHING, SHOCK ABSORBER
-	F5H196		-	POWER TRIM UNIT COMPLETE

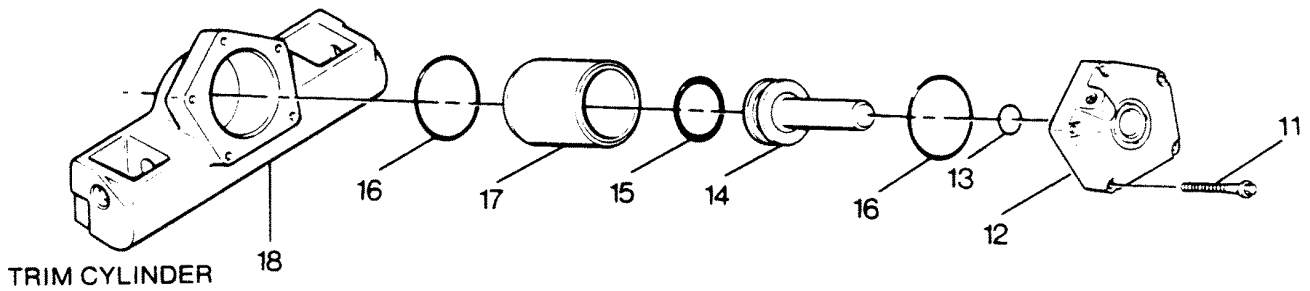
PARTS BREAKDOWN TILT CYLINDER, TRIM CYLINDER, MOTOR & PUMP



TILT CYLINDER



MOTOR & PUMP

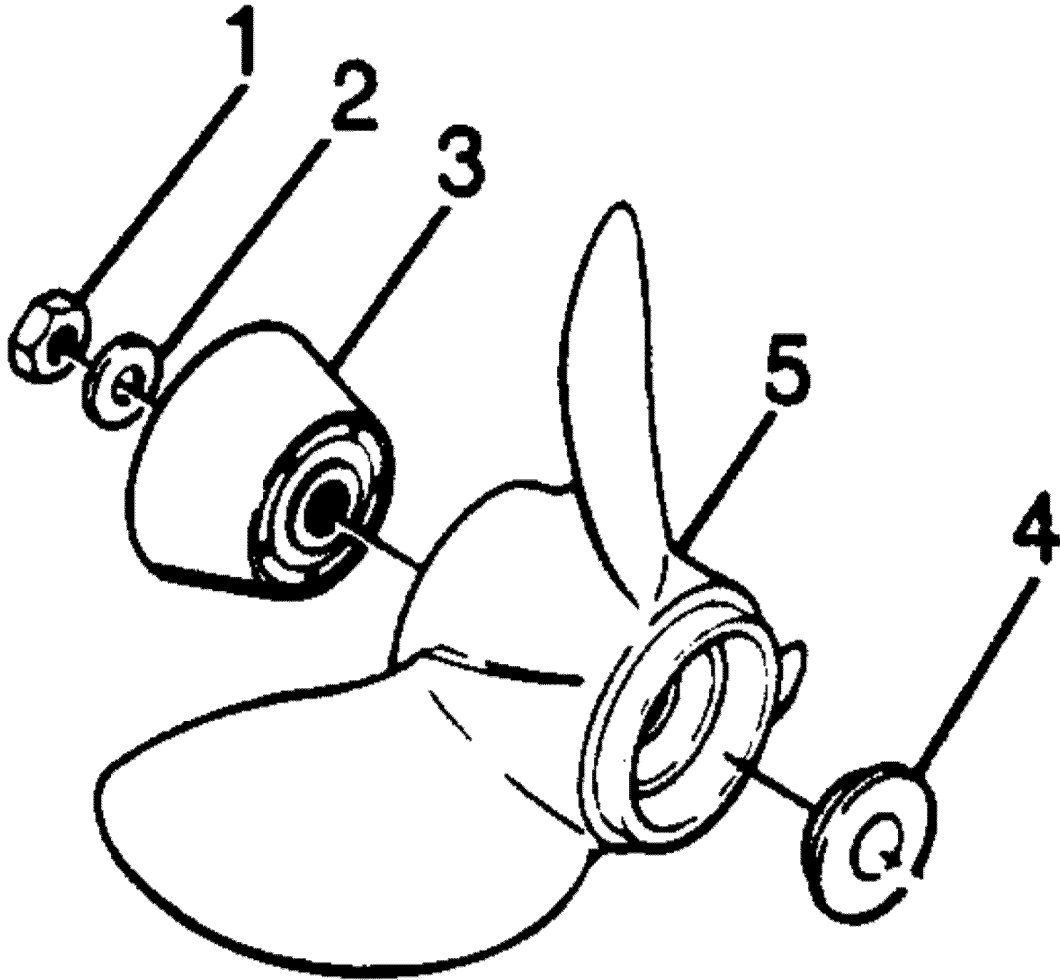


TRIM CYLINDER

PARTS BREAKDOWN TILT CYLINDER, TRIM CYLINDER, MOTOR & PUMP

REF. NO.	PART NO.	SYM.	QTY.	DESCRIPTION
1	F178344		1	BUSHING
3	FA654055		1	HEAD ASSEMBLY
4	F654618		1	O-RING
5	FA654015		1	PISTON ASSEMBLY
6	FA17561-1		1	O-RING
7	F2A654983		1	CYLINDER BEND ASSEMBLY
8	F17611		1	BRUSH SET
9	F17500		1	SPRING SET, BRUSH
11	F1959		5	SCREW, 1/4 - 20 X 1-3/4 S.S.
10	F660541		1	MOTOR & PUMP
12	817802A3		1	COVER
13	F449342		1	SEAL, PISTON SHAFT
14	FA449015		1	PISTON
15	F449278		1	PISTON SEAL
16	F40278		2	SEAL, CYLINDER
17	F449010		1	CYLINDER
18	F449545-2		1	CYLINDER HOUSING

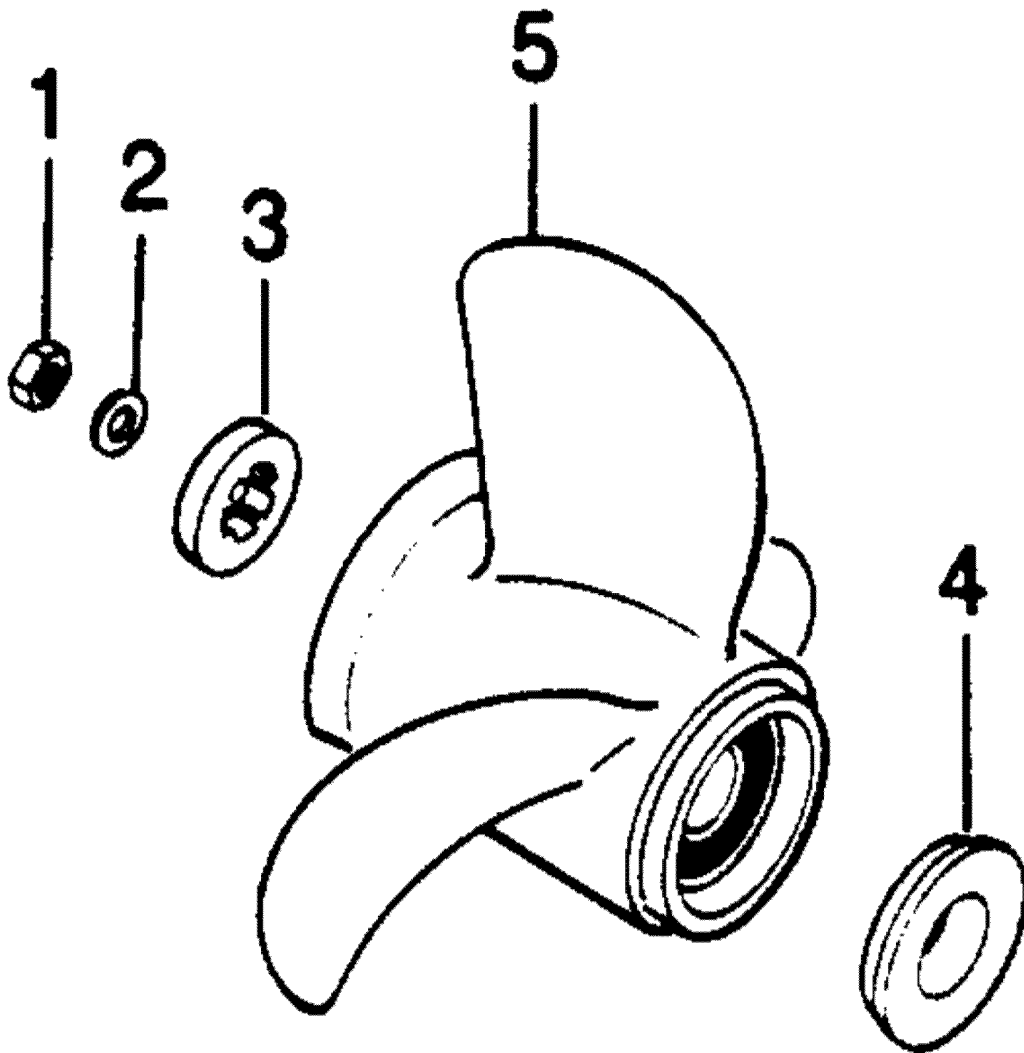
STRAIGHT HUB PROPS



STRAIGHT HUB PROPS

REF. NO.	PART NO.	SYM.	QTY.	DESCRIPTION
1	F1788		1	STOP NUT
2	F1866		1	WASHER
3	F532299		1	SPACER (FLARE)
4	F523099-1		1	SPACER, PROPELLER
5	FPS501		1	PROPELLER 14 X 13 (1253X8C)
-	FP539		1	PROPELLER 13 X 17 (1258M8C)

FLARED HUB PROPS



FLARED HUB PROPS

REF. NO.	PART NO.	SYM.	QTY.	DESCRIPTION
1	F1788		1	STOP NUT
2	F1866		1	WASHER
3	F523282		1	WASHER, PROP SPLINE
4	F523099-1		1	SPACER, PROPELLER
5	FP685		1	PROPELLER 13 X 17 (1251H8C, 1251X8C, O1251X8B, 1254X8C, 1258L8C)
-	FP686		1	PROPELLER 13 X 19 (1251F8C, C125F8C, 1251V8C, 1258D8C, 1258F8C, C1258F8C, 125818C, 1258T8C, 1258V8C, 1258X8C)
-	FP682		1	PROPELLER 13 X 15 (1251A8C)

SPECIAL TOOLS - TUNE-UP

REF. NO.	PART NO.	SYM.	QTY.	DESCRIPTION
-	FTA2937-1		0	TIMING TOOL TO ADJUST TIMING POINTER.
-	FT8978		0	TIMING LIGHT FOR ADJUSTING IGNITION TIMING.
-	FT8948-1		0	PULLER TO REMOVE FLYWHEEL.

SPECIAL TOOLS - POWER HEAD

REF. NO.	PART NO.	SYM.	QTY.	DESCRIPTION
-	FT2998		0	TORQUE WRENCH (0-100 LBS./FT.) TO TORQUE FLYWHEEL NUT.
-	FT2999		0	TORQUE WRENCH (0-600 LBS./IN.) TO TORQUE ALL FASTENERS.
-	FT2991		0	CARBON BRUSH TO REMOVE CARBON DEPOSITS FROM POWER HEAD.
-	FT8914		0	SEAL REMOVER TO REMOVE UPPER CRANKSHAFT BEARING CAGE SEAL.
-	FT8903		0	SEAL INSTALLER TO INSTALL UPPER CRANKSHAFT BEARING CAGE SEAL.
-	FT8907		0	DRIVER HANDLE USED WITH T 8903.
-	FT8925		0	SEAL INSTALLER TO INSTALL LOWER CRANKSHAFT SEAL.
-	FT2953		0	SOCKET TO TORQUE CONNECTING ROD SCREWS.
-	FT2990		0	PISTON PIN TOOL TO REMOVE AND INSTALL PISTON PINS.
-	FT2996		0	RING COMPRESSOR TO INSTALL PISTONS IN CYLINDER.
-	FT8926		0	RING EXPANDER TO INSTALL PISTON RINGS.
-	FT1082		0	SNAP RING PLIER TO REMOVE AND INSTALL DISTRIBUTOR RETAINING RING.
-	FT8933		0	LIFTING HOOK TO LIFT ENGINE.
-	FT8900		0	HOSE CLAMP PLIERS TO REMOVE FUEL LINE CLAMP.

SPECIAL TOOLS - GEAR HOUSING

REF. NO.	PART NO.	SYM.	QTY.	DESCRIPTION
-	FT8948-1		0	PULLER TO REMOVE PROPELLER SHAFT SPOOL FROM GEAR HOUSING.
-	FT11209		0	BEARING GUIDE SET TO REMOVE/INSTALL FORWARD BEARING CUP.
-	FT8918		0	BEARING GUIDE SET TO BE USED WITH T 11209 BEARING GUIDE SET.
-	FT11207		0	BEARING CUP REMOVER TO REMOVE FORWARD BEARING CUP IN GEAR HOUSING.
-	FT11205		0	BEARING INSTALLER/REMOVER TO REMOVE AND INSTALL LOWER DRIVESHAFT BEARING.
-	FT11204		0	BEARING CUP INSTALLER TO INSTALL FORWARD BEARING CUP IN GEAR HOUSING.
-	FT8930-1		0	FEELER GAUGE SET TO USE IN SHIMMING LOWER UNIT.
-	FT8957		0	SEAL INSTALLER TO INSTALL SHIFT ROD SEAL.
-	FT8985		0	SEAL INSTALLER TO INSTALL PROPELLER SHAFT SEAL IN SPOOL.
-	FT8925		0	SEAL INSTALLER TO INSTALL DRIVESHAFT SEAL IN GEAR HOUSING COVER.
-	FT3012		0	SEAL INSTALLER TO INSTALL DRIVESHAFT SEAL IN WATER PUMP.
-	FTA8997		0	SHIM TOOL TO SHIM LOWER UNIT.
-	FT8901		0	INDICATOR HOLDER USED IN CONJUNCTION WITH TA 8997.
-	FT8902		0	DIAL INDICATOR USED IN CONJUNCTION WITH TA 8997.
-	FT8907		0	DRIVER HANDLE USED WITH T 11204, T 11205, T 11209.
-	FT8919		0	SPRING PIN PUNCH TO REMOVE CLUTCH SPRING PIN.
-	FT7848		0	TORQUE ADAPTER TO HOLD DRIVESHAFT SPLINE WHILE TORQUING.

SPECIAL TOOLS - TEST EQUIPMENT

REF. NO.	PART NO.	SYM.	QTY.	DESCRIPTION
-	FT2951		0	CIRCUIT TRACER TO TROUBLESHOOT ELECTRICAL SYSTEM.
-	FTK8999		0	TEST WHEEL TO TEST MOTOR IN TEST TANK. ORIGINAL FORCE P/N TA 8999
-	FT8950		0	LEAKAGE TESTER TO TEST LOWER UNIT SEALS FOR LEAKAGE.
-	FT11260		0	SPARK TESTER TO TEST OUTPUT OF IGNITION SYSTEM.
-	FT2938-1		0	CONTINUITY TESTER TO TEST CIRCUITS FOR CONTINUITY.
-	FTA11259		0	MULTIMETER TO TEST ELECTRICAL COMPONENTS.

SPECIAL TOOLS - LUBRICANTS AND SEALANTS

REF. NO.	PART NO.	SYM.	QTY.	DESCRIPTION
-	FT2961		0	LUBRICANT - RYKON GREASE #2EP
-	FT2987-1		0	LUBRICANT - ANTI-SEIZE
-	FT8969		0	LUBRICANT - 7 OZ. LPS-1 LUBRICANT
-	FT8955		0	SEALANT - 5 OZ. EC-750 INDUSTRIAL SEALANT
-	FT8983		0	SEALANT - 3 OZ. RTV SEALANT FORM IN PLACE GASKETS
-	FT8936-1		0	SEALANT - 2 CC LOCTITE RETAINING COMPOUND #75
-	FT2962-2		0	SEALANT - 50 CC LOCTITE H, NON-HARDENING GRADE
-	FT2963-2		0	SEALANT - 2 OZ. LOCTITE 271
-	FT8935		0	SEALANT PRIMER LOC QUIC T

ACCESSORIES

REF. NO.	PART NO.	SYM.	QTY.	DESCRIPTION
-	F5H173		0	FLUSHING ADAPTER PERMITS FRESH WATER FLUSHING OF WATER PASSAGES WITH STANDARD GARDEN HOSE.
-	F5H198		0	REMOTE CONTROL - SURFACE MOUNT PERMITS REMOTE CONTROL OF THROTTLE AND GEAR SHIFT FROM STARBOARD SIDE OF BOAT. INCLUDES HANDLE MOUNTED TURN SWITCH.
-	F5H080		0	TWIN REMOTE CONTROL BOX PERMITS REMOTE CONTROL OF THROTTLE AND GEAR SHIFT - TWO ENGINES. CONSOLE MOUNTED.
-	F195/___		0	REMOTE CONTROL CABLES CONNECTS REMOTE CONTROL BOX TO THROTTLE AND GEAR SHIFT ON ENGINE. AVAILABLE IN 6 THROUGH 26 FOOT LENGTHS.
-	F5H108		0	STEERING CONNECTOR CLEVIS TYPE FOR BOAT MOUNTED STEERING AND NON-THREADED CABLE END.
-	F5H094		0	STEERING LINK KIT CONNECTS STEERING CABLE TO ENGINE WHEN USING ENGINE MOUNTED STEERING SYSTEM.
-	F5H018		0	DUAL STEERING CONNECTOR PERMITS DUAL ENGINE INSTALLATIONS.
-	F5H025		0	ANTI-CORROSION SACRIFICIAL ANODE KIT USED TO REDUCE CORROSION.
-	F5H043		0	OVERHEAT BUZZER SOUNDS WARNING BUZZER IF ENGINE OVERHEATS.
-	F5H161		0	POWER TRIM INDICATOR INDICATES ENGINE TRIM ANGLE.
-	F5H044		0	TILT STOP KIT LIMITS TILTING ANGLE.
-	F5H151		0	SHOCK ABSORBER KIT TO PROVIDE SHOCK PROTECTION WHEN HITTING UNDERWATER OBJECT.
-	F5H081		0	BATTERY CABLE LONGER LENGTH - 15 FEET.
-	F5H157		0	VOLTMETER - FLUSH MOUNT INDICATED BATTERY CONDITION.
-	F5H021		0	EXTENSION CABLE FOR LENGTHENING BATTERY CABLE 6-1/2 FEET.
-	F5H041		0	BATTERY TERMINAL KIT FOR POSITIVE AND NEGATIVE BATTERY POSTS.
-	F5H037		0	CIGAR LIGHTER FOR USE AS CONVENIENCE OUTLET.
-	5H158		0	FUEL GAUGE FLUSH MOUNT MONITORS FUEL SUPPLY.
-	5H145		0	HYDRAULIC TILT HYDRAULIC UNIT TO RAISE AND LOWER THE LOWER UNIT WHEN BEACHING OR TRAILERING BOAT.
-	F5H159		0	HOURMETER RECORDS ENGINE RUNNING TIME.
-	F5H077		0	IGNITION KEY SWITCH SHORT BARREL WITH KEYS.
-	F5H078		0	IGNITION KEY SWITCH LONG BARREL WITH KEYS.
-	F5H028		0	SENDING UNIT, FUEL TANK FOR USE WITH 5H158 FUEL GAUGE.
-	F5H156		0	TEMPERATURE GAUGE FLUSH MOUNT MONITORS ENGINE TEMPERATURE. DO NOT USE TEMPERATURE GAUGE AND HEAT LAMP IN SAME INSTALLATION.
-	F5H167		0	TACHOMETER FLUSH MOUNT MONITORS ENGINE R.P.M. TO PROVIDE CHECK OF ENGINE PERFORMANCE.

CONTINUED ON NEXT PAGE ➡

ACCESSORIES

REF. NO.	PART NO.	SYM.	QTY.	DESCRIPTION
-	F5H155		0	SPEEDOMETER FLUSH MOUNT MONITORS BOAT SPEED (10 - 65 M.P.H.)
-	F5H154		0	SPEEDOMETER FLUSH MOUNT MONITORS BOAT SPEED (10 - 50 M.P.H.)
-	F5H115		0	TRAILERING TILT LOCK SECURES ENGINE IN HALF TILT POSITION FOR TRAILERING (WITHOUT TRIM AND TILT).
-	F5H179		0	TRAILERING TILT LOCK SECURES ENGINE IN HALF TILT POSITION FOR TRAILERING (WITH TRIM AND TILT).
-	F5H030		0	SWITCH KIT - RUNNING LIGHTS DASH MOUNTED TOGGLE SWITCH.
-	F5H031		0	SWITCH KIT - SPOT LIGHT DASH MOUNTED TOGGLE SWITCH.
-	F5H032		0	SWITCH KIT - WIPER DASH MOUNTED TOGGLE SWITCH.
-	F5H034		0	SWITCH KIT - BILGE PUMP DASH MOUNTED TOGGLE SWITCH.
-	F5H035		0	SWITCH KIT - HORN DASH MOUNTED TOGGLE SWITCH (MOMENTARY).
-	F5H036		0	SWITCH KIT - TACHOMETER TRANSFER DASH MOUNTED TOGGLE SWITCH FOR ONE TACHOMETER ON DUAL ENGINE INSTALLATION.
-	F5H039		0	SWITCH KIT - INSTRUMENT LIGHT DASH MOUNTED TOGGLE SWITCH.
-	F563		0	TERMINAL BLOCK KIT DOUBLE ROW 10 SECTION TO SIMPLIFY ACCESSORY INSTALLATION.
-			0	US MARINE OUTBOARD OIL SEE NOTE 1
-	F596-		0	PINT CANS SEE NOTE 1
-	F5H187		0	QUART BOTTLES SEE NOTE 1
-	597-		0	US MARINE OUTBOARD GEAR LUBE SEE NOTE 2
-	F5H191		0	FORCE BLUE ENAMEL ENGINE TOUCH-UP PAINT IN 13 OZ. AVERAGE SPRAY BOMBS (6 CANS PER CASE).
-	F5H192		0	FORCE BLUE ENAMEL ENGINE TOUCH-UP PAINT IN 1/2 OZ. BOTTLE WITH BRUSH IN CAP (12 BOTTLES PER BOX).
-	F5H194		0	CLEAR COAT ENAMEL ENGINE TOUCH-UP PAINT IN 13 OZ. AVERAGE SPRAY BOMBS (6 CANS PER CASE).
-	F5H211		0	MAXUM GRAY ENAMEL ENGINE TOUCH-UP PAINT IN 13 OZ. AVERAGE SPRAY BOMBS (6 CANS PER CASE).
-	F5H212		0	MAXUM GRAY ENAMEL

PARTS INDEX

Part Number	Description	Pg.	Ref. No.	Part Number	Description	Pg.	Ref. No.
5H145	HYDRAULIC TILT	67	-	F1341	NUT, 1/4 - 20	17	53
5H158	FUEL GAUGE FLUSH MOUNT	67	-	F1346	HEX NUT	25	29
817747--1	BALL JOINT W/STUD	25	23	F1346	HEX NUT, 3/8 - 16 S.S.	37	10
817782--1	IGNITION KEY - NO LETTER OR STAMPED A	49	32	F1425	HEX CAP SCREW, 1/4 - 20 X 2-5/8 S.S.	45	63
817782--1	KEY IGNITION - NO LETTER OR STAMPED A	15	19	F1425	HEX CAP SCREW, 1/4 - 20 X 5/8 S.S.	47	-
817783A5	SWIVEL BRACKET W/GREASE FITTINGS	37	28	F1473	NUT, 10 - 24 S.S.	27	18
817788A3	SPACER PLATE	31	70	F1491	HEX HD. SCREW, 5/16 - 18 X 3/4	45	41
817802A3	COVER	57	12	F1493	PAN HD. SCREW, 5/16 - 18 X 5/8 S.S.	13	4
817883--1	IGNITION KEY - STAMPED B	49	-	F1504	FILL HD. SCREW, 1/4 - 20 X 1-1/4	29	13
817883--1	KEY IGNITION - STAMPED B	15	-	F1504	FILL HD. SCREW, 1/4 - 20 X 1/1-4	33	91
817891--1	IGNITION KEY - STAMPED C	49	-	F1504	SLOTTED FIL SCREW, 1/4 - 20 X 1-1/4 S.S.	27	8
817891--1	KEY IGNITION - STAMPED C	15	-	F1513	HEX NUT, 10 - 32	15	26
817928--1	IGNITION KEY - STAMPED D	51	-	F1513	HEX NUT, 10 - 32	25	27
817928--1	KEY IGNITION - STAMPED D	15	-	F1513	HEX NUT, 10 - 32	31	42
817929--1	IGNITION KEY - STAMPED E	51	-	F1513	NUT, #10 - 32 HEX	55	30
817929--1	KEY IGNITION - STAMPED E	15	-	F1513	STOP NUTS (CABLE END)	49	23
817960A2	TOWERSHAFT	29	22	F1515	HEX NUT, 5/16 - 18	41	43
818055A3	TRIM CYLINDER COMPLETE	55	10	F1515	HEX NUT, S.S., 5/16 - 18	15	25
89396A38	PRIME BULB	53	9	F1515	HEX NUT, S.S., 5/16 - 18	15	29
F1009	HEX HD. SCREW, 3/8 - 16 X 2-3/4	29	3	F1515	NUT, 5/16 - 18 HEX	55	3
F1014	COTTER PIN	21	11	F15152	LOCKWASHER	19	18
F1015	COTTER PIN	45	47	F15158	SCREW, BRUSH HOLDER	19	15
F1034	PAN HD. SCREW, 1/4 - 20 X 1-3/8	21	33	F15160	INSULATOR WASHER	19	16
F1052	FILL HD. SCREW, 1/4 - 20 X 1	29	28	F15161	PLAIN WASHER	19	17
F1059	FILL HD. SCREW, 6 - 32 X 1/4	21	15	F15162	NUT	19	20
F1064	FILL HD. SCREW, 8 - 32 X 3/8	21	37	F15164	BRUSH KIT	19	7
F1107	SLOTTED FILL HD. CAP SCREW, 1/4 - 20 X 3/4	33	92	F15174	DRIVE KIT	19	1
F1112	FILL HD. SCREW, 1/4 - 20 X 7/8	43	20	F15175	DRIVE ASSEMBLY PINION	19	2
F1203	HEX CAP SCREW, 1/4 - 20 X 7/8	13	25	F15176	CAP STARTER DRIVE	19	3
F1236	SCREW, 1/4 - 20 X 1/2	25	22	F15177	ARMATURE	19	4
F1238	HEX CAP SCREW, 1/4 - 20 X 3/4	13	26	F15178	THRU BOLT PACKAGE	19	5
F1253	HEX SOCKET HD. CAP SCREW, 3/8 - 16 X 2	29	9	F15179	COMMUTATOR	19	6
F1263	HEX SOCKET HD. CAP SCREW, 5/16 - 18 X 9/16	39	11	F1532	HEX HD. SCREW, 1/4 - 20 X 1	25	20
F1280	PAN HD. SCREW, 8 - 32 X 1/4	39	19	F1532	HEX HD. SCREW, 1/4 - 20 X 1	29	33
F1280	SCREW (IGN. SWITCH WIRE TERMINAL)	49	22	F1532	HEX HD. SCREW, 1/4 - 20 X 1	33	106
F1280	SLOTTED PAN HD. SCREW, 8 - 32 X 1/4	15	15	F1540	HEX HD. SCREW, 1/4 - 20 X 5/8 GR. 5	27	21
F1286	PAN HD. SCREW, 4 - 40 X 3/16	29	37	F1550	SLOTTED PAN HD. SCREW #12 - 24 X 1	17	60
F1303	PAN HD. SCREW, 8 - 32 X 3/4	17	70	F1556	FILL HD. SCREW, W/LOCKWASHER, 10 - 24 X 3/8	29	29
F1341	HEX NUT, 1/4 - 20	29	27	F1641	LOCK NUT	19	8
F1341	NUT	19	19	F1645	HD. SCREW, 6 - 32 X 1/4	15	5
				F1645	HD. SCREW, 6 - 32 X 1/4	25	49
				F1645	SCREW, RD. HD., SELF-TAPPING, 6 - 32 X 1/4	49	31
				F1647	HEX NUT, 8 - 32	15	8
				F1648	PAN HD. SCREW, 10 - 24 X 3/4	15	20

PARTS INDEX

Part Number	Description	Pg.	Ref. No.	Part Number	Description	Pg.	Ref. No.
F1648	SCREW, 10 - 24 X 3/4 PAN			F178754-1	FUEL LINE	21	8
	HD. SCREW	27	13	F1788	STOP NUT	59	1
F1648	SCREW, FUEL SEDIMENT			F1788	STOP NUT	61	1
	BOWL	27	6	F1804	STOP NUT	31	75
F1664	SPRING PIN	39	10	F18160-3	CYLINDER DRAIN REED	29	40
F1693	TIE BAR RETAINER NUT	21	36	F1822	HEX BOLT, 5/16 - 18 X 7/8	39	38
F1693	TINNERMAN NUT, 8-32	9	15	F1822	SCREW, 5/16 - 18 X 7/8 HEX	55	4
F1696	HEX BOLT, 5/16 - 18 X 1	39	23	F1829	FILL HD. SCREW, 10 - 24 X		
F1699	HEX BOLT, 1/4 - 20 X 1-1/8	33	94		7/8	29	23
F1699	HEX HD. SCREW, 1/4 - 20 X			F1831	FLAT HD. SCREW, 1/4 - 20 X		
	1-1/8	29	8		5/8	25	42
F1703	LOCKWASHER	31	68	F1832	NUT, LOCK 1/4 - 20	17	57
F1703	SPRING, LOCKWASHER	39	32	F1832	STOP NUT, 1/4 - 20	31	62
F1704	INTERNAL TOOTH			F184033-1	SWIVEL, TOP CARBURETOR	21	14
	LOCKWASHER	15	4	F184122-1	SEAL, PARTING LINE	31	45
F1704	LOCKWASHER	25	48	F184579	O-RING SEAL	21	13
F1705	HEX CAP SCREW, 1/4 - 20 X			F1854	HEX CAP SCREW, 1/4 - 20 X		
	3/4 S.S.	43	1		5/8	13	9
F1705	HEX WASHER HD. M			F1854	HEX HD. CAP SCREW, 1/4 -		
	SCREW, 1/4 - 20 X 3/4	17	68		20 X 5/8	19	12
F1710	WASHER	37	3	F1856	PLAIN WASHER	45	72
F1710	WASHER, PLAIN	55	19	F1857	HEX CAP SCREW, 5/16 - 18		
F1711	SPRING BOWED WASHER	37	17		X 5/8	13	18
F1711	WASHER, BOWED SPRING	55	20	F1857	HEX CAP SCREW, 5/16 - 18		
F1713	SPRING PIN	43	26		X 5/8	13	7
F1727	PLASTIC RIVET	29	24	F1858	HEX CAP SCREW, 5/16 - 18		
F1729	PLUG	39	8		X 1	13	19
F1733	PAN HD. SCREW, 10-24 X			F1858	HEX CAP SCREW, 5/16 - 18		
	9/16	13	11		X 1	45	39
F1734	FILL HD. SCREW, 1/4 - 20 X			F1860	SLOTTED BINDING HEAD		
	1/2	15	12		SCREW, 6 - 32 X 1/4	27	25
F1734	SCREW, 1/4 - 20 X 1/2			F1864	HEX CAP SCRW, 1/4 - 20 X		
	W/SPRING LOCKWASHER	55	12		3/4	31	73
F1741	PAN HD. SCREW, 8 X 3/4	17	49	F1864	HEX HD. SCREW, 1/4 - 20 X		
F1741	SCREW (TERMINAL BLOCK)	49	20		3/4	29	11
F1741	SCREW, PAN HD. 8-3/4	49	30	F1864	HEX SLOT HD. SCREW, 1/4 -		
F17500	SPRING SET, BRUSH	57	9		20 X 3/4	39	3
F1755	ROUND HD. SCREW			F1866	WASHER	59	2
	W/LOCKWASHER 6 - 32 X			F1866	WASHER	61	2
	1/4	25	38	F1869	HEX CAP SCREW, 3/8 - 16 X		
F1760	SCREW, #10 - 24 X 3/8 PAN				1-1/4	31	67
	HM.	55	24	F1871	HEX HD. SCREW, 3/8 - 16 X		
F1760	SLOTTED PAN HD. SCREW,				3/4	39	26
	10 - 24 X 3/8	17	40	F1871	HEX HD. SCREW, 3/8 - 16 X		
F17611	BRUSH SET	57	8		3/4	39	33
F177330	VALVE, FUEL PUMP	27	24	F1872	HEX CAP SCREW, 3/8 - 16 X		
F17815	SEAL, FUEL LINE COUPLER				1-3/4	29	12
	(SMALL)	53	5	F1873	HEX CAP SCREW, 3/8 - 16 X		
F17816	SEAL, FUEL LINE COUPLER				3	29	7
	(LARGE)	53	4	F1874	HEX HD. SCREW, 3/8 - 16 X		
F178168-1	GASKET, CARBURETOR				1/8	29	2
	ADAPTER	25	35	F1877	TY-RAP (NOT SHOWN)	17	64
F17817	SEAL, FUEL TANK ADAPTER	53	12	F1885	HEX BOLTS. S.S., 5/16 - 18 X		
F17818	GASKET	53	13		4-1/4	31	55
F178323	SEAL	39	13	F1885	HEX CAP SCREW, 5/16 - 18		
F178344	BUSHING	37	5		X 4-1/4 S.S.	43	6
F178344	BUSHING	57	1	F1907	PLAIN WASHER S.S.	43	7
F178344	BUSHING, SHOCK			F19109	PLUG	31	78
	ABSORBER	55	32	F1912	HEX HD. SCREW, 10 - 24 X		
F178404-1	DEFLECTOR PLATE	25	36		1/2	41	45

PARTS INDEX

Part Number	Description	Pg.	Ref. No.	Part Number	Description	Pg.	Ref. No.
F1922	HEX CAP SCREW, 1/4 - 20 X 5/8	19	10	F2012	WASHER	11	2
F1922	HEX CAP SCREW, 1/4 - 20 X 5/8	31	52	F2014	WASHER	39	27
F1931	NUT, 1/2 - 20 STOP	55	18	F2015	HEX NUT 1/4 - 28	29	17
F1934	FLAT HD. SCREW, 6 X 1/2	15	21	F2016	SLOTTED FILL HD. SCREW, 6 - 32 X 7/8	15	1
F1936	SPACER, BEVEL GEAR FRONT .059	43	28	F2016	SLOTTED HD. FILL SCREW, 6 - 32 X 7/8	25	47
F1937	SPACER, BEVEL GEAR FRONT .062	43	-	F2018	LOCKNUT	39	29
F1938	SPACER, BEVEL GEAR FRONT .065	43	-	F2030	HEX HD. CAP SCREW, 1/4 - 20 X 1-1/4	41	44
F1939	SPACER, BEVEL GEAR FRONT .068	43	-	F2030	HEX HD. SCREW, 1/4 - 20 X 1-1/4	39	24
F1940	SPACER, BEVEL GEAR FRONT .071	43	-	F2033	GROOVE PIN	21	3
F1941	SPACER, BEVEL GEAR FRONT .074	43	-	F2042	PLAIN WASHER	31	59
F1942	SPACER, BEVEL GEAR FRONT .077	43	-	F2047	WAVE WASHER	13	21
F195/___	REMOTE CONTROL CABLE (SPECIFY LENGTH - X)	49	26	F2049	HEX CAP SCREW, 5/16 - 18 X 2-5/8	31	80
F195/___	REMOTE CONTROL CABLES	67	-	F2067	PLASTIC CAP	35	22
F1959	SCREW, 1/4 - 20 X 1-3/4 S.S.	57	11	F2081	HEX SOC. HD. SCREW, 1/4 - 20 X 3/4	35	18
F1966	PLUG, PLASTIC	55	9	F2088	FASTENER	13	3
F1968	FLYWHEEL NUT	35	20	F2089	SLOTTED PAN HD. M. SCREW, 10 - 24 X 5/16	31	60
F1968	HEX NUT, 3/4 X 16	17	62	F2090	PLUG	31	71
F1975	LOCKWASHER	15	18	F2093	STOP NUT, 3/8 - 24	39	15
F1975	LOCKWASHER	27	14	F2106	LOCKWASHER	17	55
F1975	WASHER, #10 SPRING LOCK	55	31	F2108	STOP NUT, 5/16 - 18	31	61
F197787-3	FUEL LINE COUPLER	53	6	F2113	SPACER, BEVEL GEAR FRONT .080	43	-
F1987	PLAIN WASHER	31	81	F2114	SPACER, BEVEL GEAR FRONT .083	43	-
F1987	WASHER	39	30	F2115	SPACER, BEVEL GEAR FRONT .086	43	-
F1990	HEX CAP SCREW, 1/4 - 20 X 1-5/8 S.S.	45	61	F2116	SPACER, BEVEL GEAR FRONT .089	43	-
F1990	HEX CAP SCREW, 1/4 - 20 X 1-5/8 S.S.	47	-	F2121	SPACER, BEVEL GEAR FRONT .057	43	-
F1994	HEX SOCKET HD. CAP SCREW, 5/16 - 18 X 1	43	37	F2122	SPACER, BEVEL GEAR FRONT .054	43	-
F1997	STOP NUT, 8 - 32	23	47	F213274	GREASE FITTING	37	20
F1999	HEX CAP SCREW, 1/4 - 20 X 7/8 S.S.	45	55	F2143	HEX SOC. HD. SCREW, 1/4 - 20 X 1 S.S.	3	3
F2000	HEX CAP SCREW, 5/16 - 18 X 3/4	33	104	F2143	HEX SOC. HD. SCREW, 1/4 - 20 X 1 S.S.	5	3
F2008	HEX CAP SCREW, 1/4 - 20 X 7/8	31	82	F2143	HEX SOC. HD. SCREW, 1/4 - 20 X 1 S.S.	7	3
F2008	HEX HD. M. SC., 1/4 - 20 X 7/8	17	44	F2143	HEX SOC. HD. SCREW, 1/4 - 20 X 1 S.S.	9	3
F2008	HEX HD. SCREW, 1/4 - 20 X 7/8	25	43	F2143	HEX SOC. HD. SCREW, 1/4 - 20 X 1 S.S.	11	3
F2008	HEX HD. SCREW, 1/4 - 20 X 7/8	29	5	F215962	MOUNT (SHOCK - C.D. UNIT)	15	32
F2008	HEX HD. SCREW, 1/4 - 20 X 7/8	29	6	F2185	HEX HD. SCREW, 3/8 - 16 X 3-1/2 S.S.	37	8
F2008	SLOTTED PAN HD. SCREW, 1/4 - 20 X 7/8	17	47	F2216	HEX SOC. HD. SCREW, 8-32 X 1/2 S.S.	9	13
F2012	WASHER	3	2	F24278	PROPELLER SHAFT SPOOL SEAL	47	-
F2012	WASHER	5	2	F24278	SEAL, O-RING PROPELLER SHAFT SPOOL	43	10
F2012	WASHER	7	2	F269141-1	BALL JOINT W/STUD	29	25A
F2012	WASHER	9	2				

PARTS INDEX

Part Number	Description	Pg.	Ref. No.	Part Number	Description	Pg.	Ref. No.
F269319	THROTTLE CAM BEARING	25	26	F406406	GASKET DEFLECTOR		
F284659-2	CRANKSHAFT THRUST BEARING, UPPER	35	21		PLATE	25	37
F286818	BEARING, LATCH SHAFT	13	16	F406754-1	HOSE	31	53
F289446-1	CLAMP, REMOTE ELEC. CABLE TO BRACKET	15	11	F40689-1	BEARING	31	69
F298788	FERRULE	53	7	F407446	CLAMP	15	33
F2A476757	CYLINDER DRAIN REED PLATE	31	41	F409251-1	GAUGE CAP	53	1
F2A523239	SPOOL, PROPELLER SHAFT BEARING	43	11	F428096	RETAINER, THERMOSWITCH	17	74
F2A550706	GEAR HOUSING COVER	45	53	F433209-1	THROTTLE CAM STUD	25	32
F2A615144	CRANKSHAFT BEARING CAGE	35	17	F438129	SEAL, DRIVESHAFT SPLINE	45	71
F2A654983	CYLINDER BEND ASSEMBLY	57	7	F438169	BEARING	37	24
F2A664746	FUEL PUMP COMPLETE	27	-	F438271	RETAINER, CRANKSHAFT SPLINE SEAL	45	70
F2A686023	BEVEL GEAR FRONT W/BEARING	43	29	F438346	MOUNT, LOWER SHOCK	39	35
F2C686712	ENGINE COVER, COMPLETE	3	-	F438500	BOWL, FUEL SEDIMENT	27	5
F2C686712	ENGINE COVER, COMPLETE	5	-	F438617	GASKET, FUEL SEDIMENT BOWL	27	3
F2C686712	ENGINE COVER, COMPLETE	7	-	F438653	SCREEN, FUEL PUMP	27	4
F2C686712	ENGINE COVER, COMPLETE	9	-	F438668	RETAINER	17	66
F2C686712	ENGINE COVER, COMPLETE	11	-	F438747	DIAPHRAGM, FUEL PUMP	27	15
F307317	CLIP, TERMINAL BLOCK GROUND	15	17	F438754	FUEL LINE	21	16
F316579	SEAL, CRANKCASE	35	11	F438754	FUEL LINE, PUMP TO CARBURETOR	27	10
F316599	SEAL	37	21	F438760	GASKET, FUEL PUMP	27	16
F319908	WIRE, GROUND (C.D. - COIL BRACKET)	17	56	F438801	ELBOW	27	11
F322273	STUD	17	75	F438930	RETAINER, SNOUT	43	36
F333316	THROTTLE ROLLER SHAFT	23	45	F438962	MOUNT, LOWER REAR SHOCK	39	12
F335215	SPACER, PISTON PIN (2 PER PISTON)	35	3	F440192-1	THROTTLE CAM	25	28
F335217-1	BEARING PISTON PIN (26 PER SET)	35	5	F440209	CARBURETOR STUD	25	30
F335654-1	DEFLECTION STOP	13	20	F440254	BALANCE TUBE	25	34
F338618-1	GEAR SHIFT ROD SEAL	47	-	F440906	CARBURETOR GASKET	25	31
F338618-1	SEAL, GEAR SHIFT ROD	45	56	F440925	CHOKE ROD	21	4
F345683	WIRE, GROUND (RECTIFIER TO STARTER BOLT)	17	51	F441754-1	HOSE, RECIRCULATION	27	27
F351307	SEAL, WATER PUMP	45	64	F449010	CYLINDER	57	17
F369610	BEARING	31	64	F449278	PISTON SEAL	57	15
F369887	SHOULDER SCREW	31	65	F449342	SEAL, PISTON SHAFT	57	13
F369977-1	INTERLOCK ARM	31	63	F449354	BRACKET, THRUST	55	13
F372958	CHOKE BRACKET	25	19	F449362	BEARING	37	15
F381896-4	BATTERY CABLE	15	34	F449362	BEARING, LOWER SHAFT	55	7
F391926-1	PLUNGER	21	5	F449545-2	CYLINDER HOUSING	57	18
F3A523158	REED PLATE	25	41	F449632	SHAFT, TRIM MOUNT	55	8
F40223	GASKET, TRANSFER PORT COVER	27	22	F449889	SHAFT, UPPER SHOCK	55	21
F40223	GASKET, TRANSFER PORT COVER	31	50	F475504	GROMMET	17	42
F40278	SEAL, CYLINDER	57	16	F476066-1	THERMOSTAT COVER	33	90
F404310	ELBOW, RECIRCULATING	27	19	F476067	GASKET	33	87
F404314	FITTING	31	54	F476529-1	CYLINDER HEAD GASKET	31	76
F404801	ELBOW, CYLINDER DRAIN UPPER (NOT SHOWN)	29	-	F480107-1	CAM, STARTER INTERLOCK	31	57
F404841	CABLE, HEAT INDICATOR	17	52	F480388	DISC, WATER PUMP LOCATING	45	62
F404841	CABLE, OVERHEAT BUZZER	49	28	F481434	GUIDE, ENGINE COVER	13	1
F405457	PIVOT SCREW	29	31	F481777	CAM, LATCH SHAFT	13	22
				F485755-1	FUEL TANK ADAPTER	53	3
				F489551	BRACKET NEUTRAL INTERLOCK SWITCH	25	44
				F491689-1	BEARING TOWERSHAFT UPPER	33	109
				F498618	GEAR SHIFT ARM PIN SEAL	47	-
				F498618	SEAL	43	33
				F498891	PIN, GEAR SHIFT ARM	43	32

PARTS INDEX

Part Number	Description	Pg.	Ref. No.	Part Number	Description	Pg.	Ref. No.
F499026	SWIVEL	29	16	F525629	COTTER PIN	37	1
F499035	END, CONTROL ROD (TO TOWERSHAFT)	29	18	F530160	REED (5 PETAL)	25	40
F500244	INLET WATERLINE (25 INCH MODELS)	43	-	F532299	SPACER (FLARE)	59	3
F500615	ROD, GEAR SHIFT UPPER (25 INCH MODELS)	39	-	F5445	CONTROL ROD	29	208
F500894	POINTER, TIMING	25	51	F549189	BUSHING, ELECTRIC CABLE	13	12
F50109	PLUG	47	78	F563	TERMINAL BLOCK KIT	68	-
F50342-1	BEARING CAGE BOLT SEAL	47	-	F58685-2	CONNECTOR (SHIFT)	49	25
F50342-1	SEAL, BEARING CAGE BOLTS	43	8	F589061-1	CARBURETOR COMPLETE (TOP)	21	-
F506118	PROPELLER SHAFT SEAL	47	-	F591843	CABLE (25' REMOTE ELECT. - 10 WIRE)	49	-
F506118	SEAL, DRIVESHAFT	45	52	F5H018	DUAL STEERING CONNECTOR	67	-
F506118	SEAL, PROPELLER SHAFT	43	9	F5H021	EXTENSION CABLE	67	-
F510374-1	DECAL, CIRCUIT BREAKER	15	37	F5H025	ANTI-CORROSION SACRIFICIAL ANODE	67	-
F510374-1	DECAL, CIRCUIT BREAKER	55	29	F5H026-1	FUEL TANK (ACCESSORY ITEM)	53	2
F510460	BREAKER, CIRCUIT	55	28	F5H028	SENDING UNIT, FUEL TANK	67	-
F510460	CIRCUIT BREAKER	15	38	F5H030	SWITCH KIT - RUNNING LIGHTS	68	-
F511125-2	TUBE, STEERING SUPPORT	37	19	F5H031	SWITCH KIT - SPOT LIGHT	68	-
F511708-1	CHOKE, CARBURETOR	21	32	F5H032	SWITCH KIT - WIPER	68	-
F522056	BEARING	47	77	F5H034	SWITCH KIT - BILGE PUMP	68	-
F523031	GASKET, WATER PUMP	45	57	F5H035	SWITCH KIT - HORN	68	-
F523031	GASKET, WATER PUMP	47	-	F5H036	SWITCH KIT - TACHOMETER TRANSFER	68	-
F523057	BEARING, DRIVESHAFT LOWER	45	66	F5H037	CIGAR LIGHTER	67	-
F523065-1	IMPELLER	47	-	F5H038	IGNITION SWITCH MOUNTING KIT	15	22
F523065-1	WATER PUMP IMPELLER	45	59	F5H039	SWITCH KIT - INSTRUMENT LIGHT	68	-
F523099-1	SPACER, PROPELLER	59	4	F5H041	BATTERY TERMINAL KIT	67	-
F523099-1	SPACER, PROPELLER	61	4	F5H041	BATTERY TERMINAL KIT (ACCESSORY ITEM)	17	48
F523116-1	EXHAUST SNOOT	45	38	F5H043	BUZZER, HEAT INDICATOR	17	50
F523133-2	MOTOR LEG (20 INCH MODELS)	39	14	F5H043	OVERHEAT BUZZER	67	-
F523146-1	SEAL, CRANKSHAFT LOWER	35	13	F5H044	TILT STOP KIT	67	-
F523146-1	SEAL, CRANKSHAFT UPPER	35	19	F5H073	BUZZER, OVERHEAT (ACCESSORY ITEM)	49	29
F523188	NUT, BEVEL PINION RETAINING	43	34	F5H077	IGNITION KEY SWITCH	67	-
F523244	INLET WATERLINE (20 INCH MODELS)	43	5	F5H077	SWITCH (ACCESSORY ITEM)	49	21
F523273	STUD	39	22	F5H078	IGNITION KEY SWITCH	67	-
F523274	GREASE FITTING	37	18	F5H078	SWITCH, IGNITION LONG BARREL W/KEYS AND SCREWS	15	16
F523280	NUT	37	25	F5H080	TWIN REMOTE CONTROL BOX	67	-
F523282	WASHER, PROP SPLINE	61	3	F5H081	BATTERY CABLE	67	-
F523300-1	SPRING	39	18	F5H094	STEERING LINK KIT	39	16
F523411	RETAINING RING	43	23	F5H094	STEERING LINK KIT	67	-
F523451	SPACER, REED STOP	25	50	F5H108	STEERING CONNECTOR	67	-
F523498	DRIVE KEY, WATER PUMP	45	68	F5H115	TRAILERING TILT LOCK	68	-
F523498	KEY	47	-	F5H151	SHOCK ABSORBER KIT	67	-
F523555	GEAR HOUSING COVER SEAL	47	-	F5H154	SPEEDOMETER FLUSH MOUNT	68	-
F523555	SEAL, O-RING, GEAR HOUSING COVER	45	49	F5H155	SPEEDOMETER FLUSH MOUNT	68	-
F523562	PLATE, WATER PUMP	47	-				
F523562	WATER PUMP BACK PLATE	45	58				
F523705	GEAR SHIFT ROD LOWER	45	46				
F523813	BEARING CUP	43	30				
F523899	GROMMET, WATERLINE	43	4				
F523930	RETAINER	39	21				
F523961	CRUSH RING	45	50				

PARTS INDEX

Part Number	Description	Pg.	Ref. No.	Part Number	Description	Pg.	Ref. No.
F5H157	VOLTMETER - FLUSH MOUNT	67	-	F660353	CABLE ACCESSORY	49	8
F5H159	HOURMETER	67	-	F660411	RING (RETAINING)	49	16
F5H161	POWER TRIM INDICATOR	67	-	F660446	CLAMP (REMOTE ELECT. CABLE)	49	6
F5H167	TACHOMETER FLUSH MOUNT	67	-	F660480	SCREW (COVER TO ACTUATOR)	49	9
F5H173	FLUSHING ADAPTER	67	-	F660497	BLOCK (TERMINAL)	49	19
F5H179	TRAILERING BRACKET	37	2	F660504	GROMMET (REMOTE ACCESSORY CABLE)	49	7
F5H179	TRAILERING TILT LOCK	68	-	F660541	MOTOR & PUMP	57	10
F5H187	QUART BOTTLES	68	-	F660541	PUMP/MOTOR ASSEMBLY	55	5
F5H191	FORCE BLUE ENAMEL	68	-	F660595	WASHER (CONTROL MTG. SCREWS)	49	11
F5H192	FORCE BLUE ENAMEL	68	-	F660602	SWITCH (EMERGENCY STOP)	49	2
F5H193	CABLE (7' EXTENSION FOR 10 WIRE REMOTE ELECTRIC CABLE)	49	-	F660611	LEVER W/TRIM SWITCH	49	1
F5H194	CLEAR COAT ENAMEL	68	-	F660642	RETAINER (REMOTE CABLE)	49	13
F5H196	POWER TRIM UNIT COMPLETE	55	-	F660664	WIRE (IGN. SWITCH TO ACC. TERMINAL BLOCK)	49	27
F5H198	REMOTE CONTROL - SURFACE MOUNT	67	-	F660732	SCREW (CONTROL MOUNTING)	49	10
F5H198	REMOTE CONTROL COMPLETE - WIRED FOR POWER TRIM	51	-	F660751	SCREW (PLATE TO ACTUATOR)	49	17
F5H211	MAXUM GRAY ENAMEL	68	-	F660754	LINE, LOWER HYDRAULIC TILT CYLINDER	55	14
F5H212	MAXUM GRAY ENAMEL	68	-	F660758	LINE, UPPER HYDRAULIC TILT CYLINDER	55	16
F616675	STARTER BRACKET LOWER	19	11	F660843	CABLE (15-1/2' EMOTE ELECT.)	49	5
F616955	STARTER COMPLETE.	19	14	F660908	WIRE, RED	55	25
F629449	THERMOSWITCH	15	6	F660911	PLATE (REMOTE CONTROL)	49	18
F631133	MOTOR LEG (25 INCH MODELS)	39	-	F660917	RELAY, POWER TRIM	55	22
F631606	CAP, KING PIN (25 INCH MODELS)	39	41	F660995	COVER (ASSEMBLY - REMOTE CONTROL)	49	12
F631707	COVER, SHOCK MOUNT LOWER (25 INCH MODELS)	41	42	F663038	SUPPORT PLATE	13	14
F650450	RECTIFIER	15	9	F663095	ALTERNATOR STATOR	17	59
F653744	WIRING HARNESS	15	14	F663269	HANDLE, TILT	3	4
F654029	TRIGGER ASSY.	17	58	F663269	HANDLE, TILT	5	4
F654398	DECAL, 4 CYL. WIRING	17	71	F663269	HANDLE, TILT	7	4
F654497	TERMINAL BLOCK (12 POSITION)	17	73	F663269	HANDLE, TILT	9	4
F654618	O-RING	57	4	F663269	HANDLE, TILT	11	4
F654924	CHOKE SOLENOI	15	36	F663366	MEDALLION-FORCE	3	10
F658803	GASKET, SPACER PLATE	27	2	F663366	MEDALLION-FORCE	5	10
F658836	SPACER, FUEL PUMP	27	17	F663366	MEDALLION-FORCE	7	10
F660141	CONNECTOR (CABLE - REMOTE CONTROL)	49	15	F663366	MEDALLION-FORCE	9	10
F660165	SCREW (LEVER TO ACTUATOR)	49	3	F663366	MEDALLION-FORCE	11	10
F660189	BUSHING, CABLE ENTRY	13	13	F663480	RETAINER	13	10
F660253	LINE, LOWER HYDRAULIC TRIM CYLINDER	55	15	F663756	PACKING	13	8
F660254	LINE, UPPER HYDRAULIC TRIM CYLINDER	55	11	F663774-1	BRACKET, ENGINE COVER LATCH	13	2
F660273	STUD	55	1	F663843	CABLE (19' REMOTE ELECT. - 10 WIRE)	49	-
F660327	ACTUATOR (ASSEMBLY - REMOTE CONTROL)	49	14	F663984	BLANKET, TOP (NOT SHOWN)	3	-
F660329	LANYARD, STOP SWITCH (CUP TYPE)	51	33	F663984	BLANKET, TOP (NOT SHOWN)	5	-
F660332	PLUG (WARM-UP BUTTON)	49	4	F663984	BLANKET, TOP (NOT SHOWN)	7	-

PARTS INDEX

Part Number	Description	Pg.	Ref. No.	Part Number	Description	Pg.	Ref. No.
F663984	BLANKET, TOP (NOT SHOWN)	11	-	F7004	STOP NUT, 3/8 - 16	31	49
F664061	CARBURETOR COMPLETE (BOTTOM)	21	27	F7008	ELASTIC STOP NUT	29	32
F664068	THERMOSTAT - 130	33	88	F7008	STOP NUT, 1/4 - 20	25	25
F664258	GROMMET (THERMOSTAT)	33	89	F7009	LOCK NUT, #10 - 24	33	107
F664268	SPRING	33	110	F7012	STOP NUT	37	7
F664384	CLIP, TERMINAL BLOCK COVER	17	72	F702329	LANYARD, STOP SWITCH (FORK TYPE)	51	34
F664386	DECAL, "125"	3	11	F7024	STOP NUT, 1/4 - 20	3	1
F664386	DECAL, "125"	5	11	F7024	STOP NUT, 1/4 - 20	5	1
F664386	DECAL, "125"	11	11	F7024	STOP NUT, 1/4 - 20	7	1
F664672	COVER, TERMINAL BLOCK	17	76	F7024	STOP NUT, 1/4 - 20	9	1
F664843	CABLE (22' REMOTE ELECT. - 10 WIRE)	49	-	F7024	STOP NUT, 1/4 - 20	11	1
F664985	BLANKET, SIDE (NOT SHOWN)	3	-	F7053	NUT, 5/8 - 18 STOP	55	6
F664985	BLANKET, SIDE (NOT SHOWN)	5	-	F7056	LOCK NUT, 1/2 - 20	37	14
F664985	BLANKET, SIDE (NOT SHOWN)	7	-	F74305	GEAR HOUSING COVER SEAL	47	-
F664985	BLANKET, SIDE (NOT SHOWN)	9	-	F74305	SEAL, DRIVESHAFT BEARING CAGE	45	51
F664985	BLANKET, SIDE (NOT SHOWN)	11	-	F8003	PLAIN WASHER	29	38
F665387	DECAL, "US MARINE"	3	7	F8011	PLAIN WASHER	15	39
F665387	DECAL, "US MARINE"	5	7	F8011	WASHER, #10	55	23
F665387	DECAL, "US MARINE"	11	7	F8028	PLAIN WASHER	17	43
F665518	CYLINDER HEAD	31	77	F8038	PLAIN WASHER	29	4
F665995	COVER, CYLINDER HEAD	31	79	F8038	WASHER	39	17
F680374	DECAL, "SWIRL CHARGED INDUCTION"	41	47	F8056	SPRING LOCKWASHER	15	7
F684201	PLATE	37	13	F8058	INTERNAL TOOTH LOCKWASHER	25	24
F685032	STERN BRACKET, STARBOARD	37	11	F8077	WASHER	47	-
F685145	COVER, MOTOR LEG REAR	39	9	F8077	WASHER, GEAR HOUSING PLUG	45	43
F685301	MODULE (BLUE)	17	45	F8080	SPRING LOCKWASHER	39	20
F685387	DECAL, "US MARINE"	9	7	F8083	LOCKWASHER	13	24
F685475	IGNITION COIL (BLUE)	17	46	F8083	LOCKWASHER	27	7
F685528-1	DECAL, REAR	3	12	F8083	LOCKWASHER	47	76
F685528-1	DECAL, REAR	11	12	F8083	SPRING LOCKWASHER	17	63
F685532	STERN BRACKET, PORT	37	6	F8083	SPRING LOCKWASHER	19	13
F685632	HEX BOLT, 1/2 - 20 X 7 S.S.	37	12	F8083	SPRING LOCKWASHER	39	2
F685681	SCOOP, AIR	9	12	F8083	SPRING LOCKWASHER	45	54
F685892-1	DECAL, FRONT	3	6	F8083	SPRING LOCKWASHER	47	-
F685892-1	DECAL, FRONT	11	6	F8088	PLAIN WASHER	15	2
F686151	PLATE, EXHAUST PORT	33	97	F8088	PLAIN WASHER	21	12
F686152	EXHAUST PORT COVER	33	95	F8088	PLAIN WASHER	25	46
F686154	GASKET, EXHAUST PORT PLATE	33	96	F8090	PLAIN WASHER	15	28
F686396	DECAL, STARBOARD	3	9	F8094	WASHER	13	23
F686396-1	DECAL, STARBOARD	11	9	F8095	PLAIN WASHER	31	48
F686397	DECAL, PORT	3	5	F8096	SPRING LOCKWASHER	13	17
F686397	DECAL, PORT	11	5	F8096	SPRING LOCKWASHER	13	6
F686418	WATER JACKET TUBE (TOP)	33	111	F8096	SPRING LOCKWASHER	15	24
F686471-1	CYLINDER DRAIN COVER	29	35	F8096	SPRING LOCKWASHER	33	105
F686472	GASKET, CYLINDER DRAIN COVER	29	36	F8096	SPRING LOCKWASHER	39	37
F686660	STAND TUBE	39	25	F8096	SPRING LOCKWASHER	45	40
F686943	WATER JACKET TUBE	33	-	F8096	WASHER, 5/16 LOCK	55	2
				F8104	PLAIN WASHER	29	10
				F8124	PLAIN WASHER	15	31
				F84286-1	FRICITION WASHER	37	22
				F84305	PROPELLER SHAFT SPOOLS SEAL	47	-
				F84305	SEAL, PROPELLER SHAFT BEARING SPOOL	43	12
				F84307-1	DRIVE SHAFT SEAL	47	-

PARTS INDEX

Part Number	Description	Pg.	Ref. No.	Part Number	Description	Pg.	Ref. No.
F84314-2	ELBOW	31	46	F90619-2	YOKE	45	73
F84314-2	ELBOW - TOP			F90807	RETAINING RING	21	34
	CARBURETOR	21	9	F9095	SHIM, DRIVESHAFT		
F84342	SEAL, INLET WATERLINE, UPPER	43	3		BEARING, UPPER .005 - SILVER	45	-
F84449	INTERLOCK SWITCH	25	45	F9097	SHIM, DRIVESHAFT		
F84449	NEUTRAL INTERLOCK SWITCH	15	3		BEARING, UPPER .010 - BLACK	45	-
F84521-2	CLUTCH	43	27	F9106	SHIM, DRIVESHAFT		
F84748-3	GASKET, CYL. DRAIN REED PLATE	31	44		BEARING, UPPER .003 - BRASS	45	67
F84792	GASKET, FUEL PUMP VALVE	27	23	F91446-1	BRACKET	55	27
				F91446-1	CIRCUIT BREAKER		
F84871-1	PIN, GEAR SHIFT	43	25		BRACKET	17	41
F85017	PISTON PIN	35	4	F92759	THROTTLE ROLLER	23	46
F85033	SWIVEL, CHOKE ROD (BOTTOM CARBURETOR)			F93811	SCREEN	31	43
	(NOT SHOWN)	21	-	F93920	REED STOP	29	39
				F97772	CLAMP	21	6
F85037-1	BOLT, STERN BRACKET PIVOT	37	27	F97772	CLAMP, FUEL LINE	27	9
				F97772	FUEL LINE CLAMP	53	11
F85117	BRACKET, WATERLINE	43	2	F98273	ROD END CONNECTOR		
F85130	BOOT, IDLE EXHAUST	39	5		STUD	31	74
F85161-1	REED STOP	25	39	FA17561-1	O-RING	57	6
F85211	STUD	31	47	FA178233	THROTTLE TIE BAR		
F85258	INSERT	39	4		W/SWIVEL	21	35
F85279-2	GASKET, CYLINDER EXHAUST UPPER	31	66	FA27232	EMERGENCY STARTER		
					ROPE (NOT SHOWN)	15	-
F85311	FUEL FITTING - BOTTOM CARBURETOR	21	7	FA335260	PISTON RINGS (2 PER SET)		
					STANDARD	35	1
F85317-3	SOLENOID CLAMP	25	21	FA411222	TRANSFER PORT COVER	31	51
F85372	PIN, GEAR SHIFT ROD			FA438431	BODY, FUEL PUMP	27	12
	LOWER	45	48	FA439493	BRACKET, TERMINAL		
F85380	SPRING	39	6		BLOCK	15	10
F85410	SNAP RING	35	8	FA440157	CARBURETOR ADAPTER, UPPER	25	-
F85498-1	FLYWHEEL KEY	35	16				
F8550-1	LINK, CHOKE	21	2	FA440167	CARBURETOR ADAPTER, LOWER	25	33
F85502	THROTTLE LINK	29	26				
F85571	BEARING CAGE W/ROLLER	35	10	FA449015	PISTON	57	14
F85606	CAP, KING PIN (20 INCH MODELS)	39	40	FA480876	GEAR SHIFT ARM	31	58
				FA481743	BRACKET, ROLLER LATCH		
F85610	BEARING	31	56		W/ROLLER	13	5
F85615-1	ROD, GEAR SHIFT UPPER (20 INCH MODELS)	39	34	FA500019	KINGPIN (25 INCH MODELS)	37	-
				FA523014	CRANKSHAFT LOWER MAIN BEARING	35	12
F8563	DOWEL PIN	29	14				
F85634-2	CONNECTING ROD SCREW	35	14	FA523054	GEAR HOUSING		
F85660-1	EXHAUST TUBE	39	1		W/DRIVESHAFT BEARING		
F85704	COUPLER, GEAR SHIFT ROD	39	36	FA523109	LOWER	45	42
					PLUG, GEAR HOUSING	45	44
F85772	CLAMP	39	7	FA523485	ANTI-CORROSION ANODE	43	21
F85779-1	BAFFLE, AIR INTAKE	41	46	FA523735	SEAL, INLET WATERLINE, LOWER	45	65
F85859	STUD	29	15				
F85908-1	LEAD WIRE	19	9	FA528018	CRANKSHAFT	35	15
F85909-1	BEARING LOCATING PIN (PRESSED INTO BLOCK)	35	23	FA58976-1	CONNECTOR (THROTTLE)	49	24
				FA607689	BEARING TOWERSHAFT	33	108
F85965	MOUNT, UPPER SHOCK	39	31	FA609853	DECAL, WARNING	17	67
F89758	HOSE, IMPULSE	27	20	FA612754	FUEL LINE, SHORT		
F9018	CAP	37	26		(BAYLINER MODELS)	53	14
F9036	END, CONTROL ROD (TO TRIGGER)	29	2149	FA616497	TERMINAL BLOCK	15	13
				FA630752	FUEL LINE COMPLETE		
F9052	PLUG	37	16		(BAYLINER MODELS)	53	-

PARTS INDEX

Part Number	Description	Pg.	Ref. No.	Part Number	Description	Pg.	Ref. No.
FA654015	PISTON ASSEMBLY	57	5	FO13949	MAIN FUEL JET OPT. .086		
FA654055	HEAD ASSEMBLY	57	3		6000 FT. & UP	23	-
FA658746	COVER, FUEL PUMP	27	1	FO14166	IDLE MIXTURE SCREW	21	29
FA663469	ENGINE COVER LATCH			FO14190	MAIN FUEL JET OPT. .092		
	HANDLE W/SHAFT	13	15		1500 - 3000 FT.	23	-
FA663744	WIRING HARNESS	55	26	FO14191	MAIN FUEL JET STD. .0937		
FA686010	CYLINDER W/CRANKCASE				SEA LEVEL - 1500 FT.	23	40
	COVER	29	1	FO15406	MAIN FUEL JET OPT. .090		
FA686015	PISTON - STANDARD	35	2		3000 - 4500 FT.	23	-
FA686266	BEVEL PINION GEAR	43	35	FO15623	FUEL BOWL GASKET	21	26
FA686662	BEVEL GEAR REAR			FO16128	BODY CHANNEL WELCH		
	W/BEARING CAGE,				PLUG	23	49
	SPACER AND BEARING	43	22	FO16130	FUEL BOWL	21	22
FA84621-1	COUPLING, GEAR SHIFT			FO16132	FUEL BOWL RETAINING		
	ARM W/BUSHING	45	45		SCREW	21	20
FA84754-1	FUEL LINE SHORT			FO16133	MAIN NOZZLE	21	23
	W/FERRULES	53	8	FO16142	THROTTLE SHUTTER	23	50
FA85135-4	COVER, FRONT LEG	39	39	FO16143	THROTTLE SHAFT RETURN		
FA85193	TIE BAR END W/SWIVEL	21	38		SPRING	23	41
FA85355-1	WASHER SET	39	28	FO16301	CHOKE SHAFT AND LEVER	21	17
FA85655-1	CRANKSHAFT MAIN			FO16620	E-RING	21	10
	BEARING RACE	35	9	FO16993	BY-PASS TUBE	23	51
FC529398	DECAL, WIRING	33	93	FO17719	CHOKE, SHUTTER	21	30
FC593054	GEAR HOUSING			FO17884	THROTTLE SHAFT AND		
	COMPLETE.	47	-		LEVER	23	42
FC686010	SHORT BLOCK	29	-	FO17885	CHOKE SHAFT RETURN		
FC686054	GEAR HOUSING				SPRING	21	18
	COMPLETE.	47	-	FO18010	MAIN FUEL JET STD. .101		
FG1026	GASKET SET	33	103		SEA LEVEL - 1500 FT.	23	-
FK10023	GASKET SET	21	-	FO1974	SCREW	23	44
FK10103	REPAIR PARTS KIT	21	1	FO5323	FUEL BOWL RETAINING		
FK10107	INLET NEEDLE AND SEAT	21	19		SCREW GASKET	21	21
FK1063-2	SEAL KIT	45	74	FO8942	CHOKE AND THROTTLE		
FK1069	WATER PUMP KIT	47	75		SHUTTER SCREW	21	31
FK1123	SPARKIE KIT	17	54	FO9678	CLIP, CHOKE SHAFT	21	39
FK405020	SWIVEL W/CLAMP,			FO992	LOCKWASHER	23	43
	SHOULDER SCREW AND			FP539	PROPELLER 13 X 17		
	NUT	29	30		(1258M8C)	59	-
FK460917	STARTER RELAY	15	23	FP682	PROPELLER 13 X 15		
FK684201	WASHER	37	9		(1251A8C)	61	-
FK85228-1	BEARING CAGE W/ROLLER	35	7	FP685	PROPELLER 13 X 17	61	5
FM684392	DECAL, "BASSTACTICS"			FP686	PROPELLER 13 X 19	61	-
	(REAR)	9	16	FPS501	PROPELLER 14 X 13		
FM685392	DECAL, "BASSTACTICS"				(1253X8C)	59	5
	(SIDE)	9	11	FS409752	FUEL LINE COMPLETE		
FM685396	DECAL, BOTTOM-				(FORCE MODELS).	53	-
	STARBOARD	9	9	FS631962	SHOCK ABSORBER		
FM685528	DECAL, BOTTOM-REAR	9	17		W/BUSHING	37	4
FM685585	DECAL, TOP-REAR	9	19	FS654381	TRIM CYLINDER COMPLETE	55	17
FM685892	DECAL, BOTTOM-FRONT	9	6	FS664358	BRACKET (C.D. - COIL)	15	30
FM685894	DECAL, TOP-FRONT	9	5	FS664712	ENGINE COVER (WITHOUT		
FM685915	DECAL, TOP-SIDE	9	14		PAINT, DECALS OR		
FM686386	DECAL, "125XT"	9	18		HARDWARE)	3	8
FO10588	BODY CHANNEL CUP PLUG	23	48	FS664712	ENGINE COVER, (WITHOUT		
FO11103	IDLE MIXTURE SCREW				PAINT, DECALS OR		
	SPRING	21	28		HARDWARE)	5	8
FO13193	MAIN FUEL JET OPT. .088			FS664712	ENGINE COVER, (WITHOUT		
	4500 - 6000 FT.	23	-		PAINT, DECALS OR		
FO13554	FLOAT	21	25		HARDWARE)	7	9
FO13944	FLOAT LEVER PIN	21	24				

PARTS INDEX

Part Number	Description	Pg.	Ref. No.	Part Number	Description	Pg.	Ref. No.
FS664712	ENGINE COVER, (WITHOUT PAINT, DECALS, OR HARDWARE)	9	8	FT8969	LUBRICANT - 7 OZ. LPS-1 LUBRICANT	66	-
FS85019	KINGPIN (20 INCH MODELS)	37	23	FT8978	TIMING LIGHT	62	-
FS85872-1	BRACKET	31	72	FT8983	SEALANT - 3 OZ. RTV SEALANT FORM IN PLACE GASKETS	66	-
FSA335260	PISTON RINGS (2 PER SET) .010 OVERSIZE	35	-	FT8985	SEAL INSTALLER	64	-
FSA686015	PISTON .010 OVERSIZE	35	-	FTA11259	MULTIMETER	65	-
FT1082	SNAP RING PLIER	63	-	FTA2937-1	TIMING TOOL	62	-
FT11204	BEARING CUP INSTALLER	64	-	FTA8997	SHIM TOOL	64	-
FT11205	BEARING INSTALLER/REMOVER	64	-	FTK8999	TEST WHEEL	65	-
FT11207	BEARING CUP REMOVER	64	-	FX685528	DECAL, REAR	5	12
FT11209	BEARING GUIDE SET	64	-	FX685892	DECAL, FRONT	5	6
FT11260	SPARK TESTER	65	-	FX686396	DECAL, STARBOARD	5	9
FT2938-1	CONTINUITY TESTER	65	-	FX686397	DECAL, PORT	5	5
FT2951	CIRCUIT TRACER	65	-	FZ685396	DECAL, STARBOARD	7	11
FT2953	SOCKET	63	-	FZ685397	DECAL, PORT	7	6
FT2961	LUBRICANT - RYKON GREASE #2EP	66	-	FZ685892	DECAL, FRONT	7	7
FT2962-2	SEALANT - 50 CC LOCTITE H, NON-HARDENING GRADE	66	-	FZ686385	DECAL, "125", PORT	7	5
FT2963-2	SEALANT - 2 OZ. LOCTITE 271	66	-	FZ686386	DECAL, "125", STARBOARD & REAR	7	12
FT2987-1	LUBRICANT - ANTI-SEIZE	66	-	22-818103--1	ELBOW, CYLINDER DRAIN LOWER	29	34
FT2990	PISTON PIN TOOL	63	-	32-817738A1	FUEL LINE LONG	53	10
FT2991	CARBON BRUSH	63	-	33-818007--1	SPARK PLUG (CHAMPION UL 18V) - USA	33	83
FT2996	RING COMPRESSOR	63	-	37-F694366-1	DECAL, "US MARINE"	7	8
FT2998	TORQUE WRENCH (0-100 LBS./FT.)	63	-	39-818110A1	PISTON RINGS (2 PER SET) .030 OVERSIZE	35	-
FT2999	TORQUE WRENCH (0-600 LBS./IN.)	63	-	44-817962A2	PROPELLER SHAFT	43	24
FT3012	SEAL INSTALLER	64	-	45-817961A6	DRIVESHAFT W/BEARING	45	-
FT7848	TORQUE ADAPTER	64	-	45-817967A6	DRIVESHAFT W/BEARING	45	69
FT8900	HOSE CLAMP PLIERS	63	-	46-817853A1	WATER PUMP	47	-
FT8901	INDICATOR HOLDER	64	-	46-817853A1	WATER PUMP BODY	45	60
FT8902	DIAL INDICATOR	64	-	200-817865A1	FLYWHEEL	17	61
FT8903	SEAL INSTALLER	63	-	597-	US MARINE OUTBOARD GEAR LUBE	68	-
FT8907	DRIVER HANDLE	63	-	600-818052A4	CONNECTING ROD	35	6
FT8907	DRIVER HANDLE	64	-	700-818111A2	PISTON .030 OVERSIZE	35	-
FT8914	SEAL REMOVER	63	-	F596-	PINT CANS	68	-
FT8918	BEARING GUIDE SET	64	-				
FT8919	SPRING PIN PUNCH	64	-				
FT8925	SEAL INSTALLER	63	-				
FT8925	SEAL INSTALLER	64	-				
FT8926	RING EXPANDER	63	-				
FT8930-1	FEELER GAUGE SET	64	-				
FT8933	LIFTING HOOK	63	-				
FT8935	SEALANT PRIMER LOC QUIC T	66	-				
FT8936-1	SEALANT - 2 CC LOCTITE RETAINING COMPOUND #75	66	-				
FT8948-1	PULLER	62	-				
FT8948-1	PULLER	64	-				
FT8950	LEAKAGE TESTER	65	-				
FT8955	SEALANT - 5 OZ. EC-750 INDUSTRIAL SEALANT	66	-				
FT8957	SEAL INSTALLER	64	-				