



# PARTS CATALOG

## OUTBOARDS SEC E STARTER MOTORS

### SERIAL NUMBER

ELECTRICAL / INSTRUMENTS ..... OB Starter Motors (1985 and Below)

# TABLE OF CONTENTS:

PARTS INDEX .....	38
STARTER MOTOR ASSEMBLY (DIRECT REVERSING MODELS) .....	12
STARTER MOTOR ASSEMBLY (GEAR SHIFT MODELS) A .....	16
STARTER MOTOR ASSEMBLY (GEAR SHIFT MODELS) B .....	18
STARTER MOTOR ASSEMBLY (GEAR SHIFT MODELS) C .....	20
STARTER MOTOR ASSEMBLY (GEAR SHIFT MODELS) D .....	24
STARTER MOTOR ASSEMBLY (GEAR SHIFT MODELS) E .....	26
STARTER MOTOR ASSEMBLY (GEAR SHIFT MODELS) F .....	28
STARTER MOTOR ASSEMBLY A .....	4
STARTER MOTOR ASSEMBLY B .....	8
STARTER MOTOR ASSEMBLY C .....	36
STARTER MOTOR ASSEMBLY, COMPLETE A .....	30
STARTER MOTOR ASSEMBLY, COMPLETE B .....	32
STARTER MOTOR ASSEMBLY, COMPLETE C .....	2

**NOTE:** Indented description indicate that these parts are included in preceding assembly.

**AR** = As Required

**NSS** = Not Sold Separate

**OPT** = Optional

**NS** = Not Shown

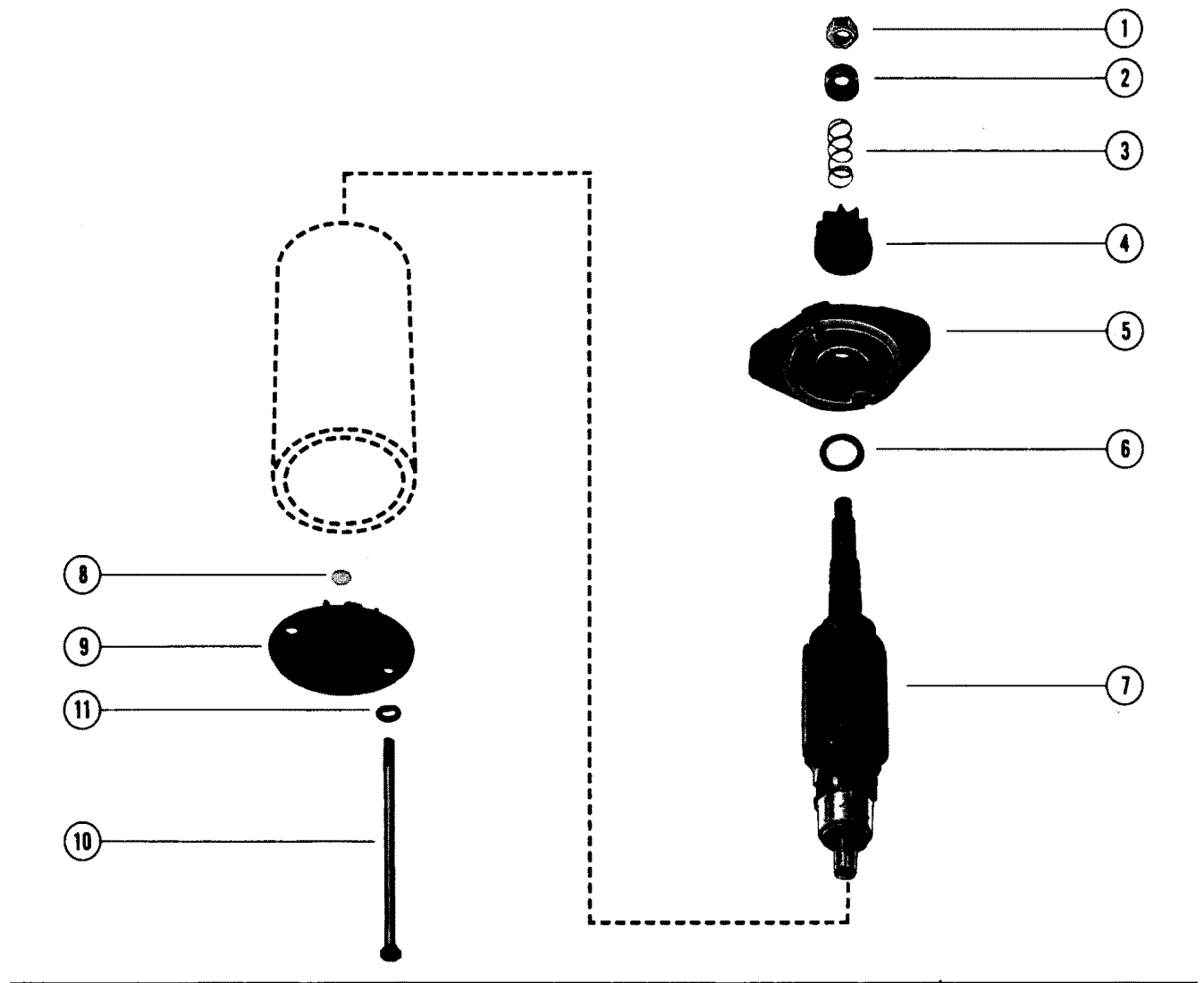
**NOTE:** Following symbols are located in **SYM** column.

- |  |  |
|--|--|
| ● = [A-25942] STARTER MOTOR IS NO LONGER AVAILABLE AND IS SUPERSEDED BY [50-32403] STARTER MOTOR.      | ✚ = INCLUDE ALL 4 BRUSHES PLUS TERMINAL AND LOCKNUT  |
| ■ = [A-50-29105] STARTER MOTOR IS NO LONGER AVAILABLE AND IS SUPERSEDED BY [50-32411] STARTER MOTOR.   | † = ORDER SHIMS AS SHOWN [15-27099005], [15-270999010], [15-27099015]                                  |
| ◇ = PACKAGE CONTAINS VARIOUS THICKNESS WASHERS FOR SERVICE REPLACEMENT                                 | ○ = ONE EACH OF [A-31171] OR [A-31196] AND [A-31172] OR [31197] REPLACEMENT PACKAGE REQUIRED / STARTER |
| ▲ = VENDOR CHANGE, INDIV.PINION GEAR [A-43-29263] & SCREW SHAFT[A-26052-29262] ARE NOT SOLD SEPARATELY | ♣ = NOT REQUIRED HERE STARTER MOUNTING BOSSES HAVE BEEN ADDED TO CRANKCASE FLANGE.                     |

**THESE PARTS BOOKS/FICHE CARD ARE COPYRIGHTED AND MAY NOT BE DISTRIBUTED OR REPRODUCED IN ANY OTHER FORMAT BY ANYONE OTHER THAN MERCURY MARINE WITHOUT THE PRIOR WRITTEN CONSENT OF MERCURY MARINE.**

THIS PAGE INTENTIONALLY LEFT BLANK

# STARTER MOTOR ASSEMBLY, COMPLETE C

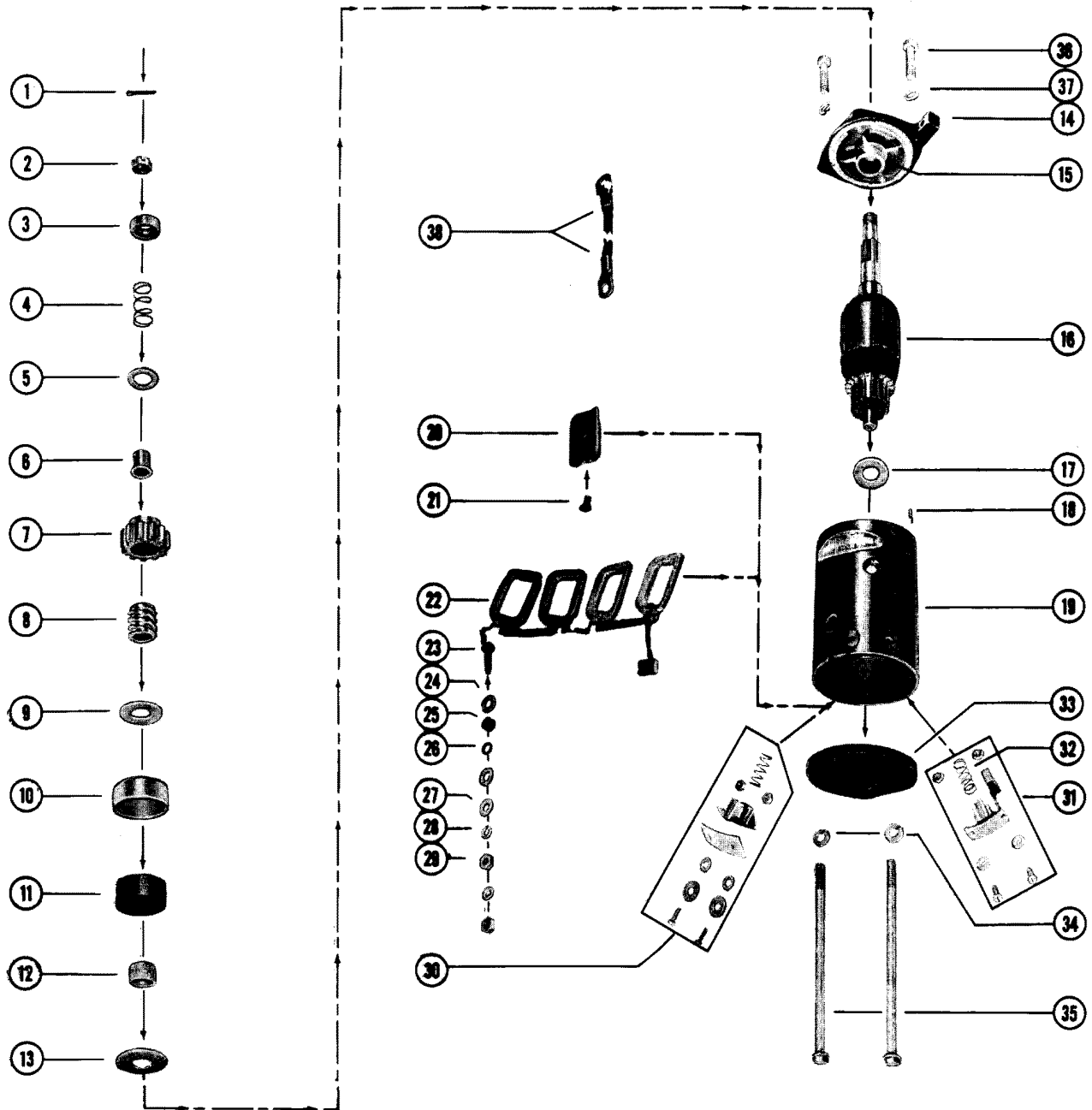


## STARTER MOTOR ASSEMBLY, COMPLETE C

REF. NO.	PART NO.	SYM.	QTY.	DESCRIPTION
-	50-73531		1,-,-	STARTER MOTOR ASSEMBLY, COMPLETE
-	50-76275		-,1,-	STARTER MOTOR ASSEMBLY, COMPLETE
-	50-78011		-,-,1	STARTER MOTOR ASSEMBLY, COMPLETE
1	11-75340		1,1,1	NUT, RETAINING - DRIVE ASSEMBLY
2	23-75321		1,1,1	SPACER, DRIVE ASSEMBLY .
3	24-75431		1,1,1	SPRING, ANTI DRIFT
4	.-75427		1,1,1	DRIVE ASSEMBLY
5	75426		1,-,-	PLATE ASSEMBLY, DRIVE END
	75614		-,1,-	PLATE ASSEMBLY, DRIVE END
	79217		-,-,1	PLATE ASSEMBLY, DRIVE END
6	12-75434		1,1,1,1	WASHER, THRUST-ARMATURE
7	75424		1,1,1	ARMATURE
8	75429		1,1,1	DISC, THRUST
9	75425		1,1,1,1	END CAP, COMMUTATOR <b>END CAP ASSMELBY INCLUDES BRUSHES, SPRINGS AND BRUSH HOLDER</b>
10	10-75428		2,2,2,2	BOLT, THRU - PLATE TO END CAP
11	12-75433		2,2,2	WASHER, THRU BOLT

RECOMMENEDED TRANSOM HEIGHT: LONG SHAFT 20", STANDARD 15".

# STARTER MOTOR ASSEMBLY A



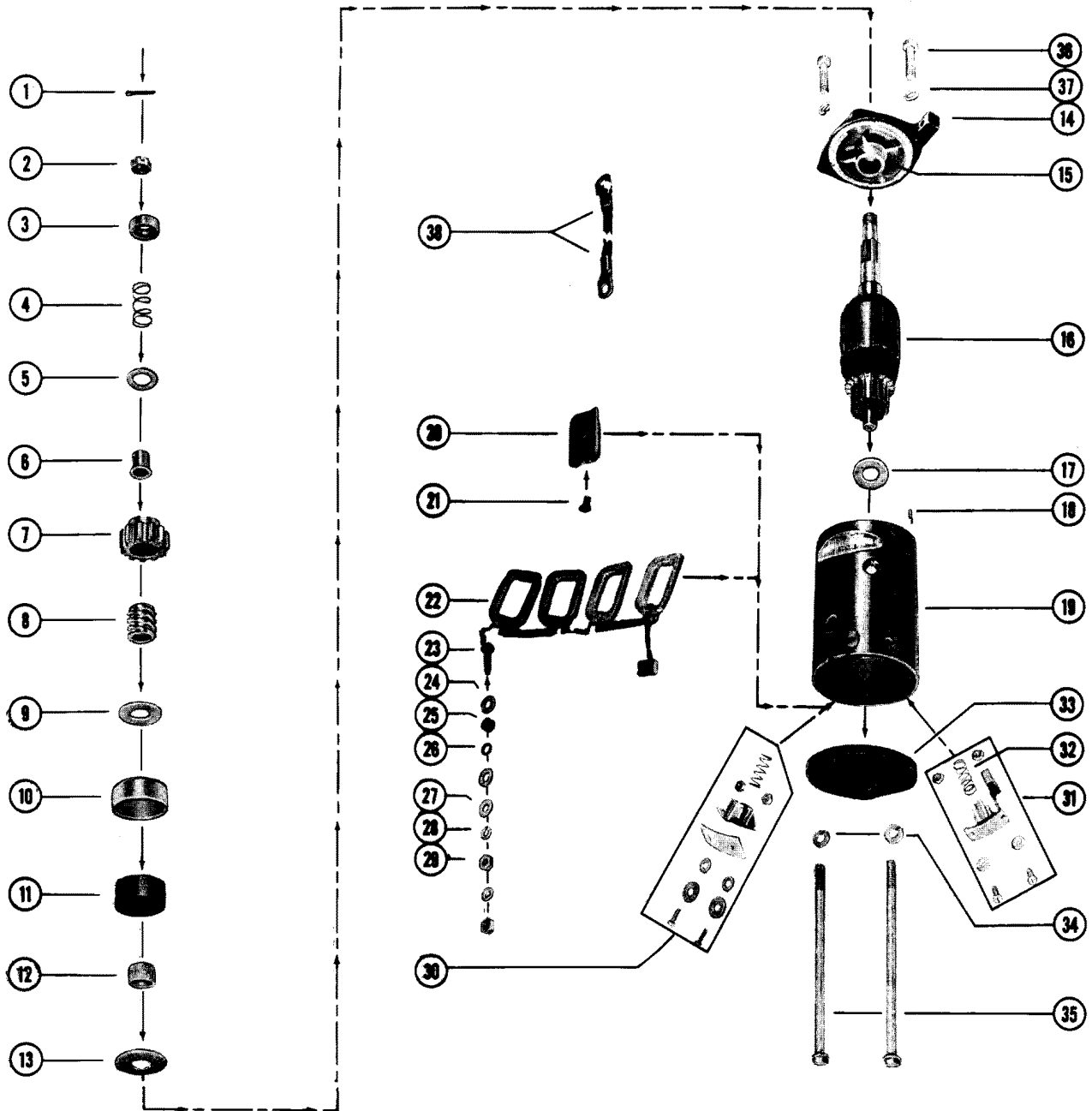
# STARTER MOTOR ASSEMBLY A

REF. NO.	PART NO.	SYM.	QTY.	DESCRIPTION
-	25942	●	1,,,	STARTER MOTOR ASSEMBLY, COMPLETE (DELCO-REMY #1113553)
-	50-32403		,1,,,	STARTER MOTOR ASSEMBLY, COMPLETE (DELCO-REMY #1113510)
-	50-29105	■	,,1,,	STARTER MOTOR ASSEMBLY, COMPLETE (DELCO-REMY #1113569)
-	50-32411		,,,1	STARTER MOTOR ASSEMBLY, COMPLETE (DELCO-REMY #1113518)
1	18-25621		1,,,	COTTER PIN, FASTENING NUTT
2	11-25622		1,,,	NUT, FASTENING
	11-20220		1,1,1,1	NUT, FASTENINGDLATE MODELS
3	26058		1,1,1,1	STOP, PINION
4	24-26057		1,1,1,1	SPRING, ANTI-DRIFT
5	12-26056		1,1,1,1	WASHER, PINION
6	23-26055		1,1,1,1	SLEEVE, ANTI-DRIFT
7&8	43-26054A1	▲	1,1,,,	PINION GEAR AND SCREW SHAFT ASSEMBLY (11 TOOTH)
	43-29263A1	▲	,,1,1	PINION GEAR AND SCREW SHAFT ASSEMBLY (10 TOOTH)
9	12-26052		1,1,1,1	WASHER, THRUST - CUSHION CUP
10	26049		1,1,1,1	CUP, CUSHION
11	26050		1,1,1,1	CUSHION, RUBBER- RECOIL
12	23-26051		1,1,1,1	SPACER, CUSHION
13	12-26048		1,1,1,1	WASHER, THRUST - CUSHION CUP
14	31193		1,1,1,1	FRAME, DRIVE END- UPPER
15	23-26044		1,1,1,1	BUSHING, DRIVE END FRAME
16	26026		1,,1,,	ARMATURE
	32408		,1,,1,	ARMATURE
17	12-26042		1,,1,,	WASHER, THRUST- ARMATURE
	12-31184		,1,,1,	WASHER, THRUST- ARMATURE
18	17-26045		1,1,1,1	DOWEL PIN, DRIVE END
19	26027		1,,1,,	FRAME AND FIELD ASSEMBLY
20	26030		4,,4,,	SHOE, POLE - FRAME AND FIELD
	32412		,4,,4,	SHOE, POLE - FRAME AND FIELD
21	10-29269		4,,4,,	SCREW, POLE SHOE TO FRAME
	10-31178		,4,,4,	SCREW, POLE SHOE TO FRAME
22	26028		1,1,1,1	FIELD COIL ASSEMBLY
23	26029		1,1,1,1	TERMINAL LEAD, FIELD COIL
24	12-31177		,1,,1,	WASHER,INSULATING - TERMINAL LEAD (INSIDE FRAME)
	12-26033		1,1,1,1	WASHER,TERMINAL LEAD - BUSHING (INSIDE FRAME)
25	12-26037		1,1,1,1	WASHER,RUBBER - TERMINAL LEAD (FRAME HOLE)
26	12-26032		2,2,2,,	WASHER,INSULATING - TERMINAL LEAD (OUTSIDE FRAME)

- = [A-25942] STARTER MOTOR IS NO LONGER AVAILABLE AND IS SUPERSEDED BY [50-32403] STARTER MOTOR
- = [A-50-29105] STARTER MOTOR IS NO LONGER AVAILABLE AND IS SUPERSEDED BY [50-32411] STARTER MOTOR
- ▲ = VENDOR CHANGE, INDIV.PINION GEAR [A-43-29263] & SCREW SHAFT[A-26052-29262] ARE NOT SOLD SEPARATELY

CONTINUED ON NEXT PAGE ➡

# STARTER MOTOR ASSEMBLY A



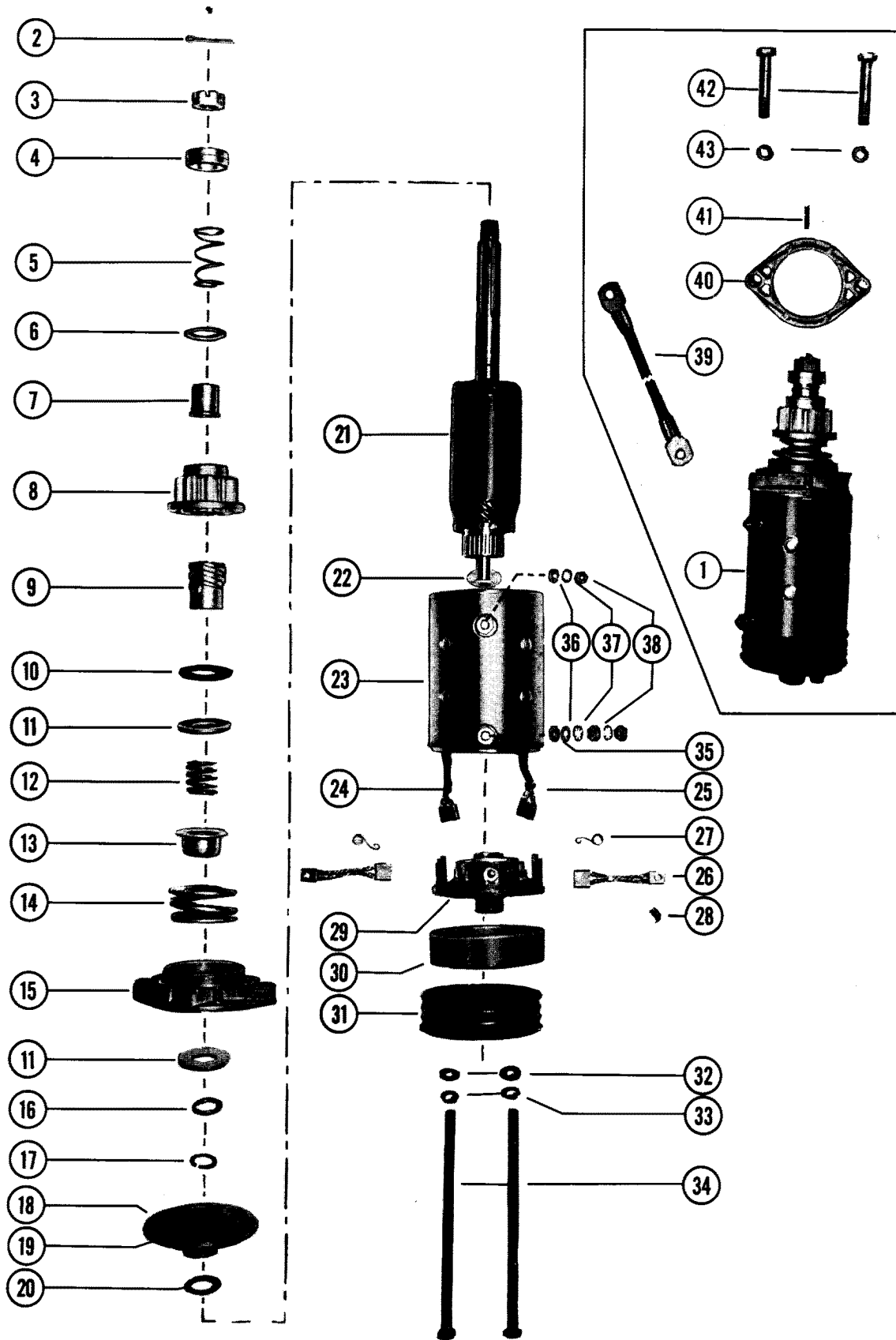


# STARTER MOTOR ASSEMBLY A

REF. NO.	PART NO.	SYM.	QTY.	DESCRIPTION
26	12-26032		,,,1,	WASHER,INSULATING - TERMINAL LEAD (OUTSIDE FRAME)
27	12-23243		1,1,1,1,	WASHER,TERMINAL LEAD (OUTSIDE FRAME)
28	13-26035		2,,2,,	LOCKWASHER, TERMINAL LEAD
	13-26992		,2,,2,	LOCKWASHER, TERMINAL LEAD
29	11-23868		2,2,2,2,	NUT, TERMINAL LEAD
30	26039		1,,1,,	PACKAGE, BRUSH HOLDER REPLACEMENT
	32409		,1,,1,	PACKAGE, BRUSH HOLDER REPLACEMENT
31	26041		1,,1,,	PACKAGE, BRUSH REPLACEMENT
	32410		,1,,1,	PACKAGE, BRUSH REPLACEMENT
32	24-26040		2,,2,,	SPRING, STARTER BRUSH
	24-31170		,2,,2,	SPRING, STARTER BRUSH
33	26038		1,,1,,	FRAME, COMMUTATOR END - LOWER
	32405		,1,,1,	FRAME, COMMUTATOR END - LOWER
34	13-26992		2,2,2,2,	LOCKWASHER, THRU BOLT
35	10-26046		2,2,2,2,	BOLT, THRU - FRAME TO FRAME
-	<b>10-28635</b>		1,1,1,1,1,	<b>SCREW, LEAD WIRE TO STARTER (SEE NOTE 2)</b>
-	<b>13-26992</b>		1,1,1,1,1,	<b>LOCKWASHER, LEAD WIRE TO STARTER SCREW (SEE NOTE 2)</b>
36	10-22698		2,2,2,2,2,	SCREW, STARTER MOTOR TO CRANKCASE FLANGE (SEE NOTE 2)
37	13-26993		2,2,2,2,2,	LOCKWASHER, STARTER MOTOR SCREW (SEE NOTE 2)
38	25469		,1,,,	WIRE, STARTER TO STARTER SOLENOID (SEE NOTE 2)
	25596		,,1,1,1,	WIRE, STARTER TO STARTER SOLENOID (SEE NOTE 2)

WHEN REPLACEMENT PARTS ARE NEEDED FOR ANY ABOVE LISTED STARTER MOTORS, PLEASE CHECK VENDER NUMBER ON PLATE ATTACHED TO STARTER HOUSING FRAME TO INSURE ORDERING CORRECT COMPONET PARTS

# STARTER MOTOR ASSEMBLY B



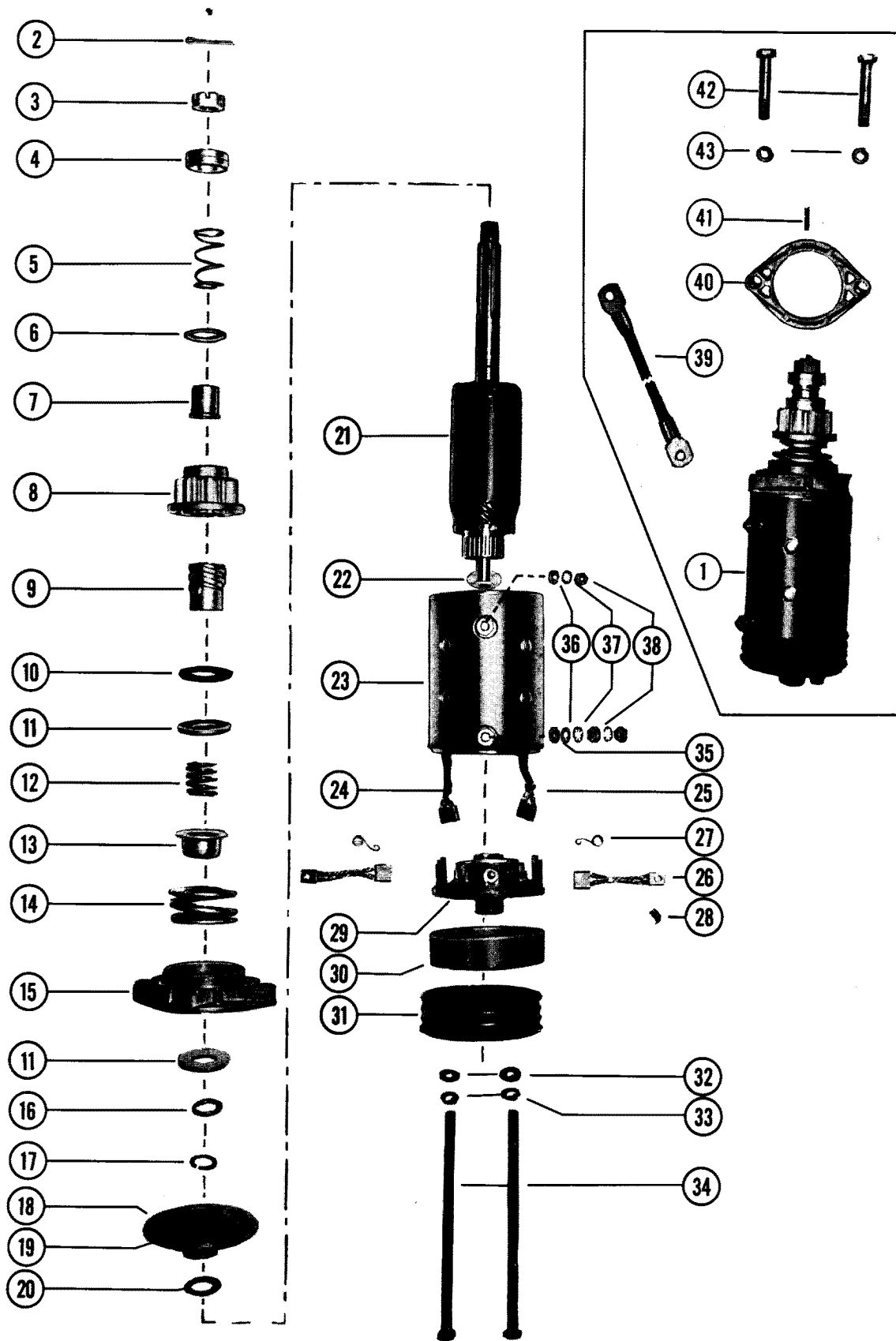
# STARTER MOTOR ASSEMBLY B

REF. NO.	PART NO.	SYM.	QTY.	DESCRIPTION
1	25444		1,,,	STARTER MOTOR ASSEMBLY, COMPLETE (BOSCH)
2	18-25621		1,,,	COTTER PIN, FASTENING NUT
3	11-25622		1,,,	NUT, FASTENING
4	23-25623		1,,,	COLLAR, SPACING
5	24-25624		1,,,	SPRING, ANTI-DRIFT
6	12-25625		1,,,	WASHER, ANTI-DRIFT SPRING
7	23-25626		1,,,	SLEEVE, ANTI-DRIFT SPRING
8	43-25627		1,,,	GEAR, PINION - DRIVE
9	25628		1,,,	SHAFT, SCREW
10	12-25629		1,,,	WASHER, RUBBER - RECOIL CUSHIONING
11	12-25630		2,,,	WASHER, THRUST
12	24-25631		1,,,	SPRING, RE-ENTRY
13	25632		1,,,	SUPPORT, DRIVE SPRING
14	24-25633		1,,,	SPRING, DRIVE
15	25473		1,,,	ADAPTOR, TOP CAP
16	53-25634		1,,,	RING, RETAINING- SPRING
17	53-25635		1,,,	RING, SPRING
18	25636		1,,,	PLATE, DRIVE END
19	23-25637		1,,,	BUSHING, DRIVE END PLATE
20	15-25638005		AR,,,	SHIM, PLATE TO ARMATURE
	15-25639010		AR,,,	SHIM, PLATE TO ARMATURE
	15-25640015		AR,,,	SHIM, PLATE TO ARMATURE
21	25641		1,,,	ARMATURE
22	12-25642		1,,,	WASHER, SHIMMING
23	25643		1,,,	HOUSING ASSEMBLY, STARTER
24	25652		1,,,	BRUSH, HOUSING ASSEMBLY
25	25653		1,,,	BRUSH, HOUSING ASSEMBLY
26	25654		2,,,	BRUSH, END PLATE
27	24-25655		4,,,	SPRING, BRUSH
28	10-25656		2,,,	SCREW, FASTENING - BRUSH (GROUND)
29	25657		1,,,	END PLATE, COMMUTATOR
-	<b>23-29461</b>		<b>1,,,</b>	<b>BUSHING, COMMUTATOR END PLATE</b>
30	25659		1,,,	STRIP, INSULATION - END PLATE
31	25660		1,,,	COVER, END PLATE
32	12-23243		2,,,	WASHER, THRU BOLT
33	13-26992		2,,,	LOCKWASHER, THRU BOLT
34	10-25646		2,,,	BOLT, THRU - COVER TO ADAPTOR
35	12-25647		1,,,	WASHER, INSULATION - HOUSING TERMINAL
36	12-25648		2,,,	WASHER, HOUSING TERMINALS
37	13-21272		3,,,	LOCKWASHER, HOUSING TERMINALS
38	11-25650		3,,,	NUT, HOUSING TERMINALS

♣ = NOT REQUIRED HERE STARTER MOUNTING BOSSES HAVE BEEN ADDED TO CRANKCASE FLANGE.

CONTINUED ON NEXT PAGE ➡

# STARTER MOTOR ASSEMBLY B



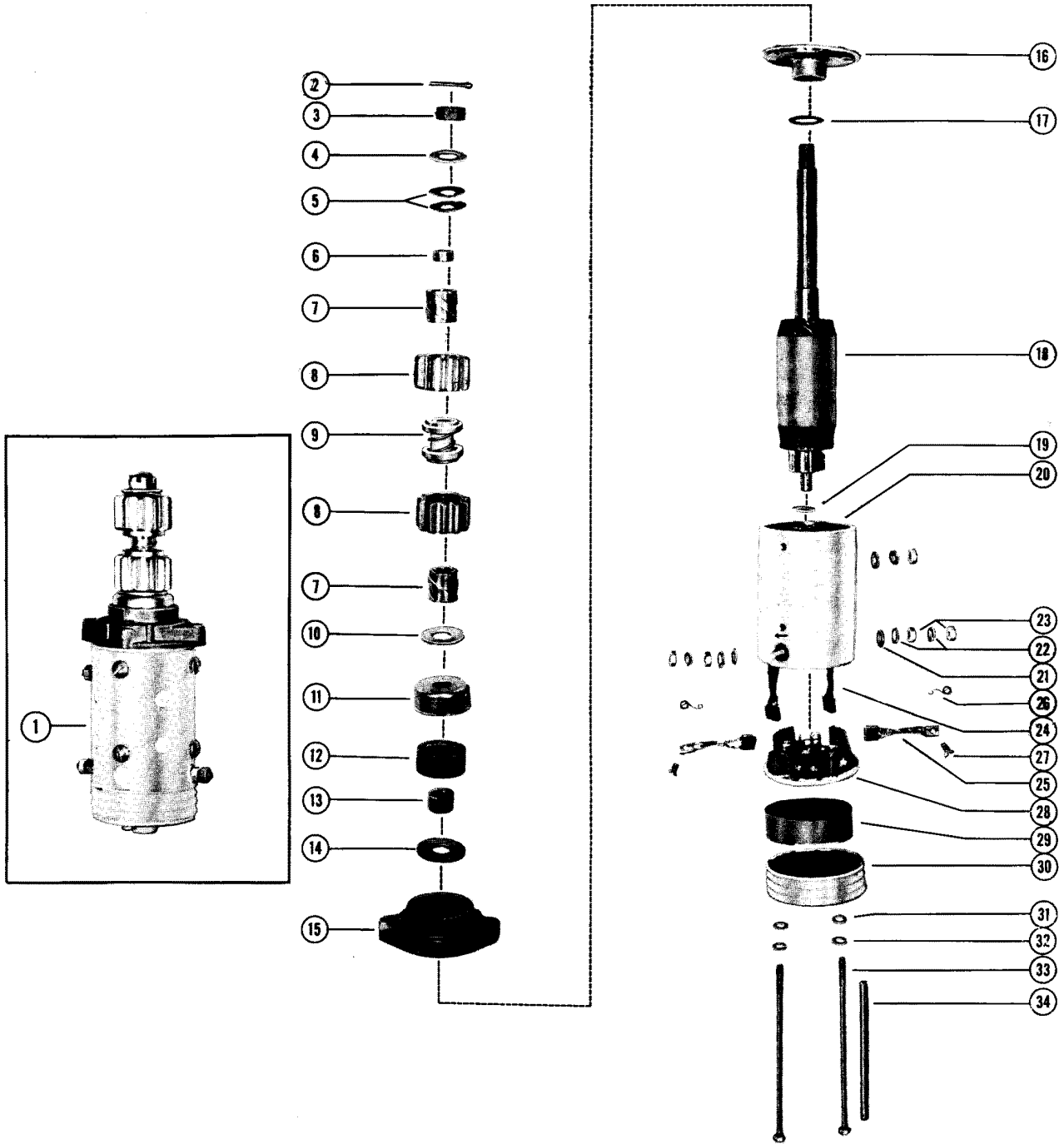
## STARTER MOTOR ASSEMBLY B

REF. NO.	PART NO.	SYM.	QTY.	DESCRIPTION
39	25469	♣	,,1,1	WIRE, STARTER TO STARTER SOLENOID
40	25474	♣	,1,1,1	PLATE, UPPER - STARTER MOTOR FASTENING
41	17-20032	♣	,1,1,1	DOWEL PIN, UPPER PLATE
42	10-25503	♣	,2,2,2	SCREW, UPPER PLATE TO ADAPTOR
43	13-26993	♣	,2,2,2	LOCKWASHER

ALL COMPONENT PARTS FOR [A-25444] STARTER MOTOR (REOF#2-38) ARE STILL AVAILABLE. ORDER YOUR REPLACEMENT PARTS ACCORDINGLY

♣ = NOT REQUIRED HERE STARTER MOUNTING BOSSES HAVE BEEN ADDED TO CRANKCASE FLANGE.

# STARTER MOTOR ASSEMBLY (DIRECT REVERSING MODELS)



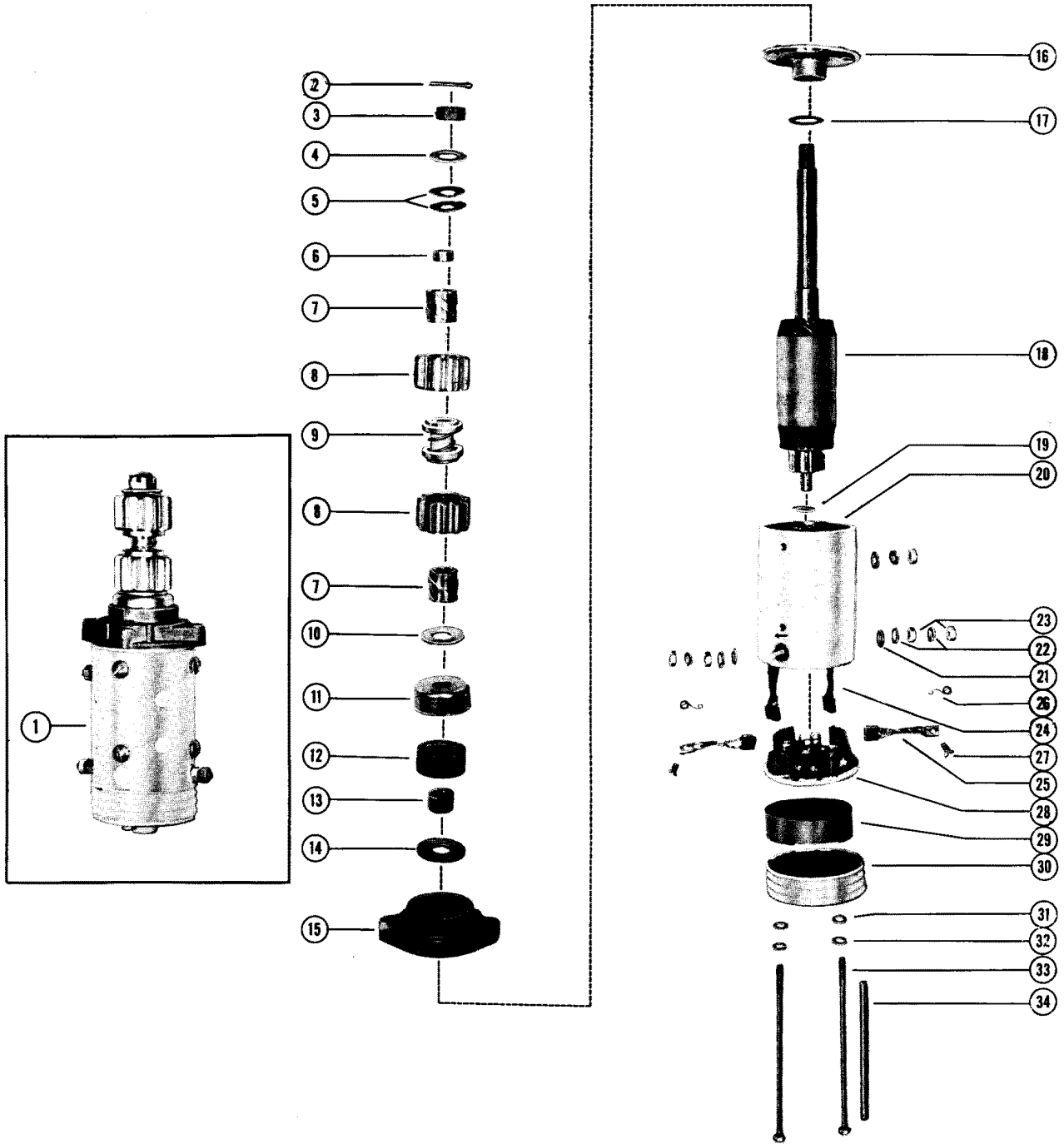
# STARTER MOTOR ASSEMBLY (DIRECT REVERSING MODELS)

REF. NO.	PART NO.	SYM.	QTY.	DESCRIPTION
1	50-26461		1,,,	STARTER MOTOR ASSEMBLY,COMPLETE (BOSCH SMA 12B 60)
	50-27063		,1,,,	STARTER MOTOR ASSEMBLY,COMPLETE (BOSCH SMA 12B 70)
	50-28317		,,1,,	STARTER MOTOR ASSEMBLY,COMPLETE (BOSCH SMA 12B 78)
	50-29037		,,,1,	STARTER MOTOR ASSEMBLY,COMPLETE (BOSCH SMA 12B 80)
	50-30418		,,,1	STARTER MOTOR ASSEMBLY,COMPLETE (BOSCH SMA 12B 81)
2	18-25621		1,1,1,1,1	COTTER PIN, FASTENING NUT
3	11-25622		1,1,1,1,1	NUT, FASTENING
4	12-27110		1,1,1,1,1	WASHER, FASTENING NUT
5	13-27111		2,2,2,2,2	WASHER, WAVE - TENSION
6	23-27112		1,1,1,1,1	SPACER, SCREW SHAFT
7	27113		2,2,2,,2	SHAFT, SCREW N.L.A -ORDER GEAR CND SCREW SHAFT KIT.
	29257		,,,2,	SHAFT, SCREW N.L.A -ORDER GEAR CND SCREW SHAFT KIT.
8	43-27114		2,2,,,	GEAR AND SCREW SHAFT KIT, PINION (11 TOOTH SET)
	43-28536		,,2,,2	GEAR AND SCREW SHAFT KIT, PINION(10 TOOTH SET)
	43-29258A		,,,2,	GEAR AND SCREW SHAFT KIT, PINION (9 TOOTH SET)
9	23-27115A		1,1,,,	SLEEVE ASSEMBLY (WITH ANTI-DRIFT SPRING)
	23-28595A		,,1,,1	SLEEVE ASSEMBLY (WITH ANTI-DRIFT SPRING)
	23-29259A		,,,1,	SLEEVE ASSEMBLY (WITH ANTI-DRIFT SPRING)
10	12-26052		1,1,1,1,1	WASHER, THRUST
11	26049		1,1,1,1,1	CUP, CUSHION
12	26050		1,1,1,1,1	CUSHION, RUBBER- RECOIL
13	23-26051		1,1,1,1,1	SPACER, CUSHION
14	12-26048		1,1,1,1,1	WASHER, THRUST - CUSHION CUP
15	26328		1,,,,	ADAPTOR, TOP CAP
16	27097		1,,,,	PLATE, DRIVE END
	27032		,1,1,1,1	PLATE, DRIVE END
-	<b>23-27098</b>		<b>1,,,,</b>	<b>BUSHING, DRIVE END PLATE</b>
-	<b>23-29460</b>		<b>,1,1,1,1</b>	<b>BUSHING, DRIVE END PLATE</b>
17	15-27099	†	AR,AR,AR,A	SHIM, PLATE TO ARMATURE
18	27100		1,,,,	ARMATURE
	27690		,1,1,1,1	ARMATURE
19	12-25642		1,1,1,1,1	WASHER, THRUST
20	27101		1,,,,	HOUSING AND FIELD,STARTER
	27691		0	HOUSING AND FIELD,STARTER
	28537		,1,,,	HOUSING AND FIELD,STARTER
	29260		,,1,,1	HOUSING AND FIELD,STARTER
-	<b>27102</b>		<b>1,,,1,</b>	<b>STRIP, INSULATION - FIELD COIL WINDINGS</b>

† = ORDER SHIMS AS SHOWN [15-27099005], [15-27099010], [15-27099015]

CONTINUED ON NEXT PAGE ➡

# STARTER MOTOR ASSEMBLY (DIRECT REVERSING MODELS)

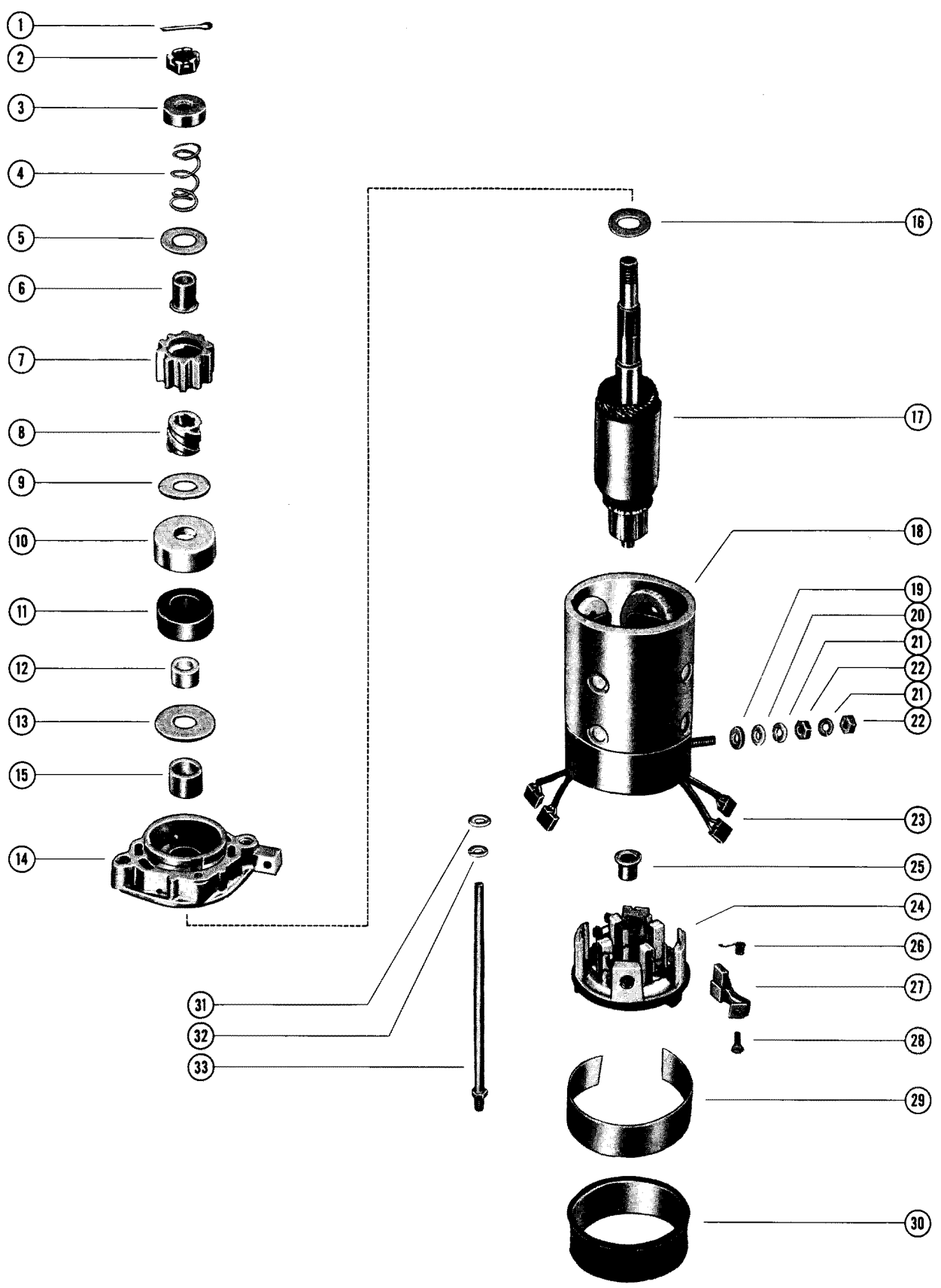




# STARTER MOTOR ASSEMBLY (DIRECT REVERSING MODELS)

REF. NO.	PART NO.	SYM.	QTY.	DESCRIPTION
-	27103		1, , , ,	STRIP, INSULATION - THRU BOLT (DRIVE END)
-	27104		1, , , ,	STRIP, INSULATION - THRU BOLT (COMM. END)
21	12-23243		5, , , ,	WASHER, INPUT AND GROUND TERMINAL
	12-23243		4, 4, 4, 4	WASHER, INPUT AND GROUND TERMINAL
22	13-27692		7, , , ,	LOCKWASHER, INPUT AND GROUND TERMINAL
	13-27692		6, 6, 6, 6	LOCKWASHER, INPUT AND GROUND TERMINAL
23	11-25650		5, , , ,	NUT, INPUT AND GROUND TERMINAL
	11-25650		4, 4, 4, 4	NUT, INPUT AND GROUND TERMINAL
-	12-25647		2, 2, 2, 2, 2	WASHER, INSULATING - INPUT TERMINAL
24	25653		2, , , ,	BRUSH, HOUSING AND FIELD
	27695		2, 2, 2, 2	BRUSH, HOUSING AND FIELD (DOUBLE BRUSH ON SINGLE LEAD)
-	27689		4, , , ,	STRIP, INSULATION - BRUSH SHUNT CLIP
-	27689		8, 8, 8, 8	STRIP, INSULATION - BRUSH SHUNT CLIP
25	25654		2, , , ,	BRUSH, COMMUTATOR END PLATE
	27696		2, , , ,	BRUSH, COMMUTATOR END PLATE (DOUBLE BRUSH ON SINGLE LEAD)
	28538		2, 2, 2, 2	BRUSH, COMMUTATOR END PLATE (DOUBLE BRUSH ON SINGLE LEAD)
26	24-25655		4, , , ,	SPRING, STARTER BRUSH TENSION
	24-25655		8, 8, 8, 8	SPRING, STARTER BRUSH TENSION
27	10-25656		2, , , ,	SCREW, BRUSH FASTENING
	10-25656		4, 4, 4, 4	SCREW, BRUSH FASTENING
28	25657		1, , , ,	END PLATE, COMMUTATOR
	27033A1		1, 1, 1, 1	END PLATE, COMMUTATOR
-	23-29461		1, 1, 1, 1, 1	BUSHING, COMMUTATOR END PLATE
29	25659		1, , , ,	STRIP, INSULATION - END PLATE
	27698		1, 1, 1, 1	STRIP, INSULATION - END PLATE
30	25660		1, , , ,	COVER, END PLATE
	27699		1, 1, 1, 1	COVER, END PLATE
31	12-23243		2, 2, 2, 2, 2	WASHER, THRU BOLT
32	13-27692		2, 2, 2, 2, 2	LOCKWASHER, THRU BOLT
33	10-27105		2, , , ,	BOLT, THRU - COMMUTATOR END PLATE TO ADAPTOR
	10-27693		2, 2, 2, 2	BOLT, THRU - COMMUTATOR END PLATE TO DRIVE END PLATE
34	32-27106		2, , , ,	TUBE, INSULATION - THRU BOLT
	32-27694		2, 2, 2, 2	TUBE, INSULATION - THRU BOLT

# STARTER MOTOR ASSEMBLY (GEAR SHIFT MODELS) A

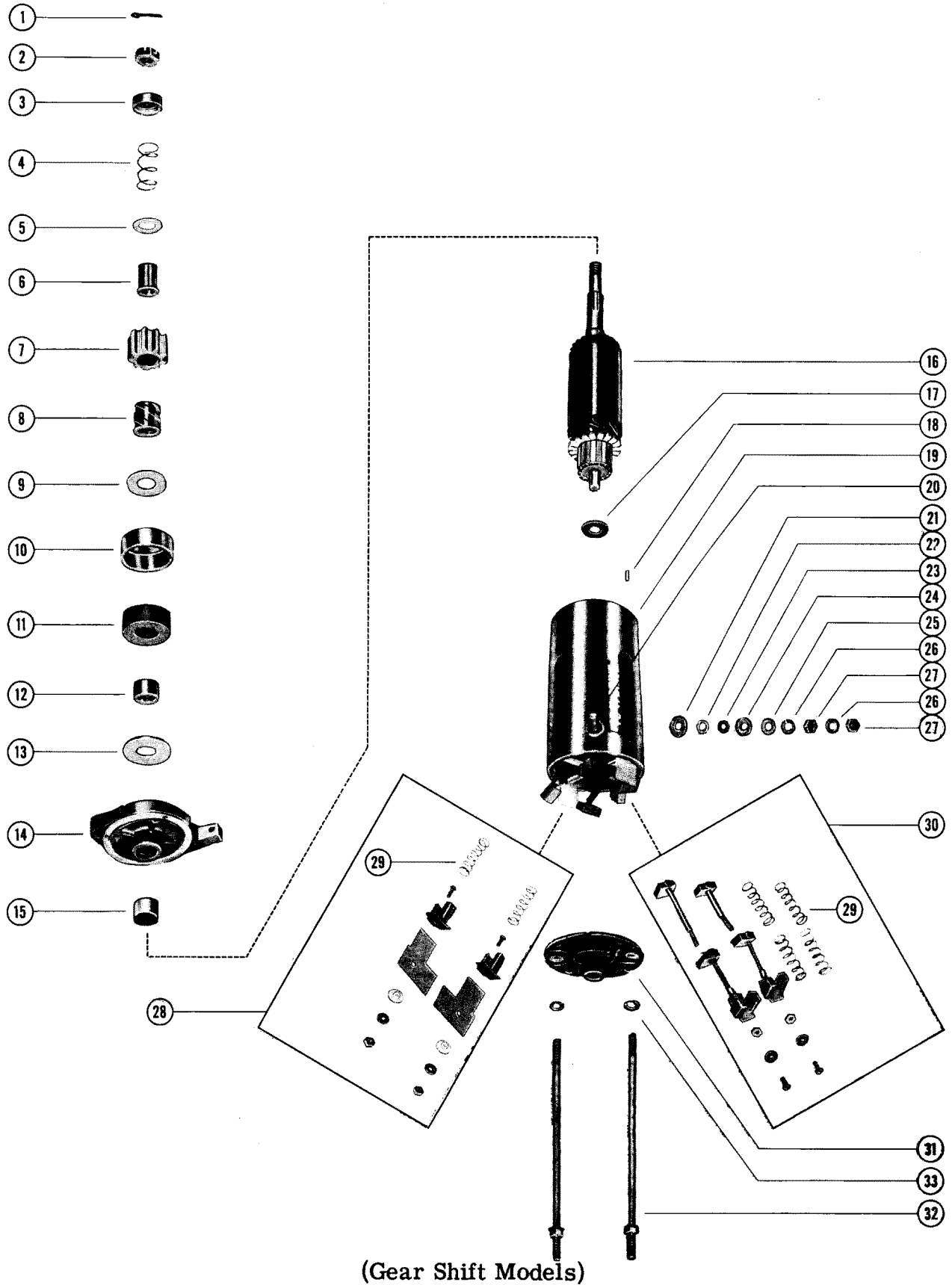


# STARTER MOTOR ASSEMBLY (GEAR SHIFT MODELS) A

REF. NO.	PART NO.	SYM.	QTY.	DESCRIPTION
-	50-30575		1	STARTER MOTOR ASSEMBLY, COMPLETE (BOSCH SAIA 12C 102)
1	18-20209		1	COTTER PIN, FASTENING NUT
2	11-25622		1	NUT, FASTENING
3	26058		1	STOP, PINION
4	24-26057		1	SPRING, ANTI-DRIFT
5	12-26056		1	WASHER, ANTI-DRIFT SPRING SLEEVE
6	23-26055		1	SLEEVE, ANTI-DRIFT SPRING
7	43-28536		1	GEAR, PINION - DRIVE (10 TOOTH)
8	27113		1	SHAFT, SCREW
9	12-26052		1	WASHER, THRUST - CUSHION CUP
10	26049		1	CUP, CUSHION
11	26050		1	CUSHION, RUBBER- RECOIL
12	23-26051		1	SPACER, CUSHION
13	12-26048		1	WASHER, THRUST - CUSHION CUP
14	27032		1	PLATE, DRIVE END
15	23-29460		1	BUSHING, DRIVE END PLATE
16	15-27099	†	AR	SHIM, DRIVE END PLATE TO ARMATURE
17	31230		1	ARMATURE
18	31231		1	HOUSING AND FIELD, STARTER
19	12-25647		1	WASHER, INSULATING - INPUT TERMINAL
20	12-23243		1	WASHER, INPUT TERMINAL
21	13-27692		2	LOCKWASHER, INPUT TERMINAL
22	11-25650		2	NUT, INPUT TERMINAL
23	27695		2	BRUSH, HOUSING AND FIELD (DOUBLE BRUSH)
24	27033A1		1	END PLATE ASSEMBLY, COMMUTATOR
25	23-29461		1	BUSHING, COMMUTATOR END PLATE
26	2S25655		8	SPRING, TENSION - STARTER BRUSH
27	28538		2	BRUSH, COMMUTATOR END PLATE (DOUBLE BRUSH)
28	10-25656		2	SCREW, BRUSH TO END PLATE
29	27698		1	STRIP, INSULATION - COMMUTATOR END PLATE
30	27699		1	COVER, RUBBER - COMMUTATOR END PLATE
31	12-23243		2	WASHER, THRU BOLT
32	13-27692		2	LOCKWASHER, THRU BOLT
33	10-27693		2	BOLT, THRU - COMMUTATOR END PLATE TO DRIVE END PLATE

THE [A-50-30575] STARTER MOTOR USED ON EARLY MERC 800 PRODUCTION OF GEAR SHIFT ENGINES IS NO LONGER AVAILABLE, FOR REPLACEMENT AS A COMPLETE UNIT, ORDER [A-50-30842] STARTER MOTOR. COMPONENT PARTS ARE STILL STOCKED, SO ORDER REPLACEMENT PARTS ACCORDINGLY  
† = ORDER SHIMS AS SHOWN [15-27099005], [15-270999010], [15-27099015]

# STARTER MOTOR ASSEMBLY (GEAR SHIFT MODELS) B

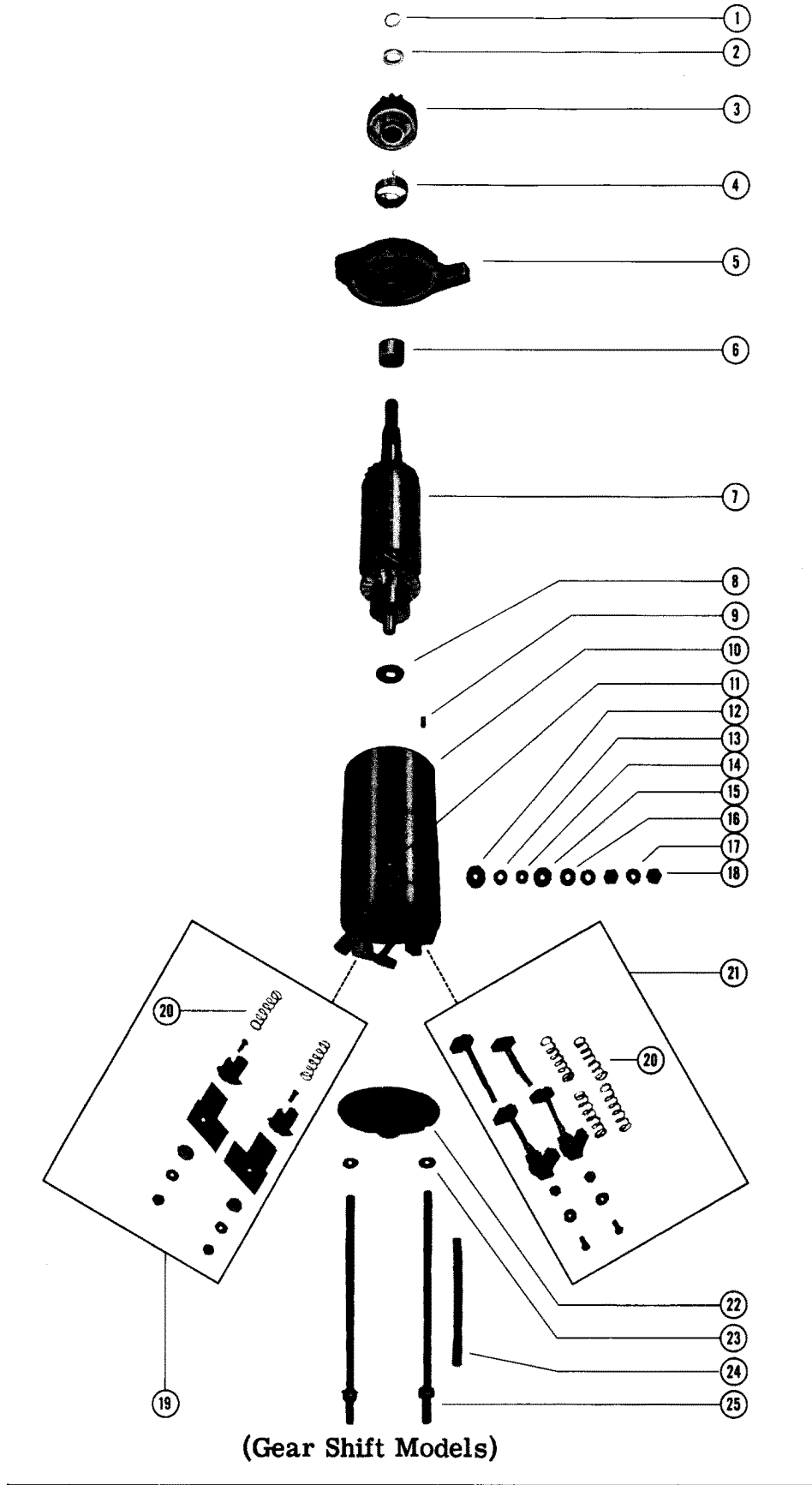


# STARTER MOTOR ASSEMBLY (GEAR SHIFT MODELS) B

REF. NO.	PART NO.	SYM.	QTY.	DESCRIPTION
-	50-30955		1,	STARTER MOTOR ASSEMBLY, COMPLETE DELCO-REMY #1113579
-	50-30842		,1	STARTER MOTOR ASSEMBLY, COMPLETE DELCO-REMY #1113578
1	18-20209		1,1	COTTER PIN, FASTENING NUT
2	11-20220		1,1	NUT, FASTENING
3	26058		1,1	STOP, PINION
4	24-26057		1,1	SPRING, ANTI-DRIFT
5	12-26056		1,1	WASHER, ANTI-DRIFT SPRING SLEEVE
6	23-26055		1,1	SLEEVE, ANTI-DRIFT SPRING
7	43-29258		1,	GEAR, PINION - DRIVE (9 TOOTH) <b>MERC 700</b>
8	29257		1,	SHAFT, SCREW - PINION GEAR <b>MERC 700</b>
7	43-28536		,1	GEAR, PINION - DRIVE (10 TOOTH) <b>MERC 800</b>
8	27113		,1	SHAFT, SCREW - PINION GEAR <b>MERC 800</b>
9	12-26052		1,1	WASHER, THRUST - CUSHION CUP
10	26049		1,1	CUP, CUSHION
11	26050		1,1	CUSHION,, RUBBER - RECOIL
12	23-26051		1,1	SPACER, CUSHION
13	12-26048		1,1	WASHER, THRUST - CUSHION CUP
14	31193		1,1	FRAME, DRIVE END - UPPER
15	23-26044		1,1	BUSHING, DRIVE END FRAME
16	31186		1,1	ARMATURE
17	12-31184		1,1	WASHER, THRUST- ARMATURE
18	17-26045		1,1	DOWEL PIN, DRIVE END PLATE
19	31190		1,1	FRAME AND FIELD ASSEMBLY
20	31189		1,1	TERMINAL LEAD, F IELD COIL
21	12-31177		1,1	WASHER, INSULATING - TERMINAL LEAD (INSIDE FRAME)
22	12-26033		1,1	WASHER, TERMINAL LEAD - BUSHING (INSIDE FRAME)
23	12-26037		1,1	WASHER, RUBBER - TERMINAL LEAD (FRAME HOLE)
24	12-26032		1,1	WASHER, INSULATING - TERMINAL LEAD (OUTSIDE FRAME)
25	12-23243		1,1	WASHER, TERMINAL LEAD (OUTSIDE FRAME)
26	13-26992		2,2	LOCKWASHER, TERMINAL LEAD
27	11-23868		2,2	NUT, TERMINAL LEAD
28	31196	○	1,1	PACKAGE, BRUSHER HOLDER REPLACEMENT (INSULATED)
29	24-31170		2,2	SPRING, STARTER BRUSH
30	31197	○	1,1	PACKAGE, BRUSH REPLACEMENT
29	24-31170		4,4	SPRING, STARTER BRUSH
31	31183		1,1	FRAME, COMMUTATOR END- LOWER
32	10-31191		2,2	BOLT, THRU - FRAME TO FRAME
33	13-26992		2,2	LOCKWASHER, THRU BOLT

○ = ONE EACH OF [A-31171] OR [A-31196] AND [A-31172] OR [31197] REPLACEMENT PACKAGE REQUIRED / STAR

# STARTER MOTOR ASSEMBLY (GEAR SHIFT MODELS) C



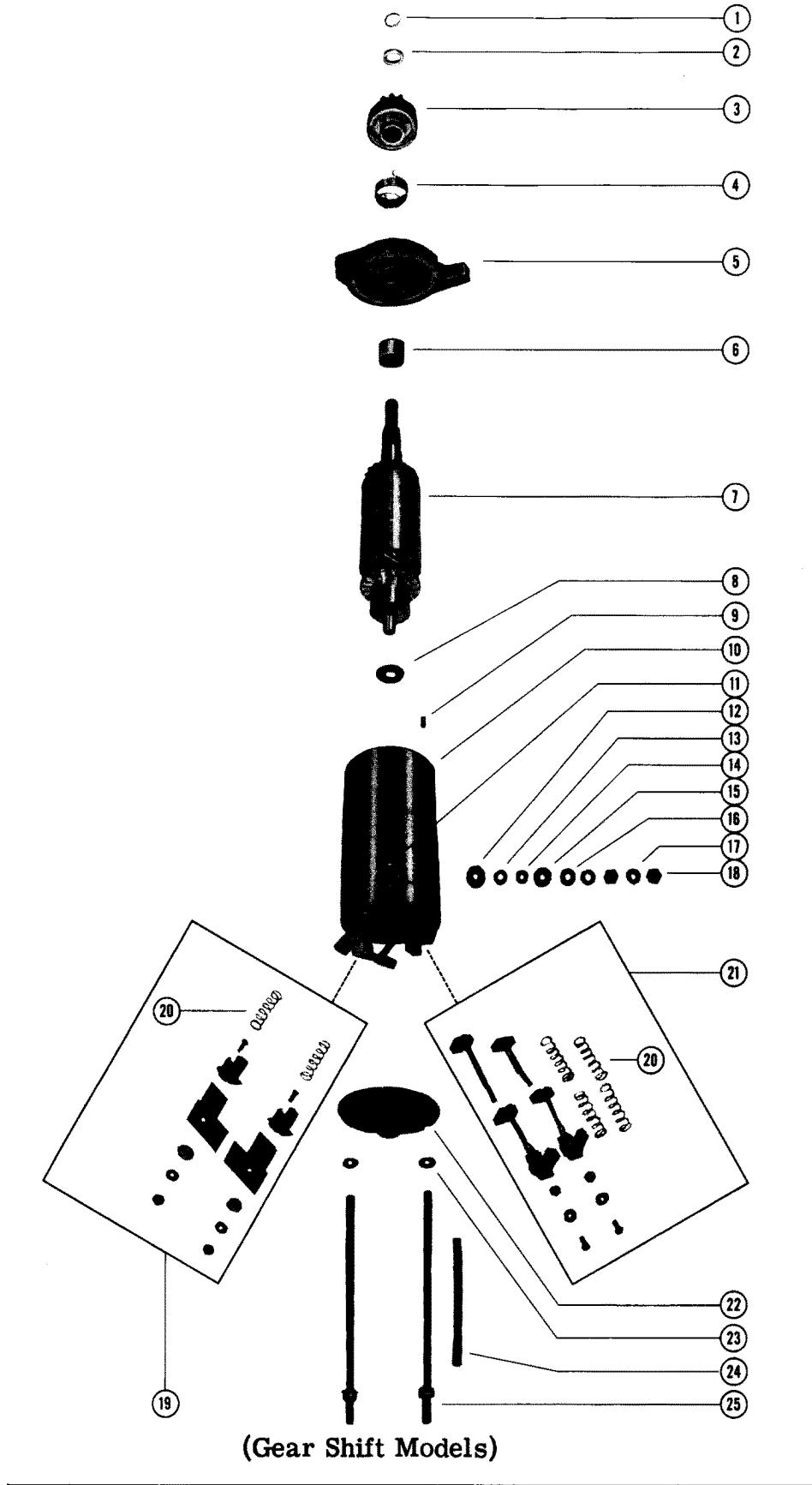
# STARTER MOTOR ASSEMBLY (GEAR SHIFT MODELS) C

REF. NO.	PART NO.	SYM.	QTY.	DESCRIPTION
-	50-30829		1,	STARTER MOTOR ASSEMBLY, COMPLETE DELCO-REMY #1113577
-	50-31976		,1	STARTER MOTOR ASSEMBLY, COMPLETE DELCO-REMY #1113517
1	31175		1,1	LOCKWIRE, PINION STOP COLLAR
2	31176		1,1	COLLAR, PINION STOP
3	32418		1,	MOTOR DRIVE
	32406		,1	MOTOR DRIVE
4	24-32407		1,1	SPRING, TENSION - MOTOR DRIVE
5	31181		1,	FRAME, DRIVE END - UPPER
	31193		,1	FRAME, DRIVE END - UPPER
6	23-31167		1,	BUSHING, DRIVE END FRAME
	23-26044		,1	BUSHING, DRIVE END FRAME
7	31180		1,	ARMATURE
	32404		,1	ARMATURE
8	12-31168		1,	WASHER, THRUST - ARMATURE
	12-31184		,1	WASHER, THRUST- ARMATURE
9	17-26045		1,1	DOWEL PIN, DRIVE END FRAME LOCATING
10	31192		1,	FRAME AND FIELD ASSEMBLY
	31190		,1	FRAME AND FIELD ASSEMBLY
11	31169		1,	TERMINAL LEAD, FIELD COIL
	31189		,1	TERMINAL LEAD, FIELD COIL
12	12-31177		1,1	WASHER,INSULATING - TERMINAL LEAD (INSIDE FRAME)
13	12-26033		1,1	WASHER,TERMINAL LEAD - BUSHING (INSIDE FRAME)
14	12-26037		2,2	WASHER,RUBBER - TERMINAL LEAD (FRAME HOLE)
15	12-26032		2,2	WASHER,INSULATING - TERMINAL LEAD (OUTSIDE FRAME)
16	12-23243		1,1	WASHER,TERMINAL LEAD (OUTSIDE FRAME)
17	13-26992		2,2	LOCKWASHER, TERMINAL LEAD
18	11-23868		2,2	NUT, TERMINAL LEAD
19	31171	○	1,	PACKAGE, BRUSH HOLDER REPLACEMENT (INSULATED)
	31196	○	,1	PACKAGE, BRUSH HOLDER REPLACEMENT (INSULATED)
20	24-31170		2,2	SPRING, STARTER BRUSH
21	31172	○	2,	PACKAGE, BRUSH REPLACEMENT
	31197	○	,1	PACKAGE, BRUSH REPLACEMENT
20	24-31170		4,4	SPRING, STARTER BRUSH
22	31179		1,	FRAME, COMMUTATOR END - LOWER

○ = ONE EACH OF [A-31171] OR [A-31196] AND [A-31172] OR [31197] REPLACEMENT PACKAGE REQUIRED / STAR

CONTINUED ON NEXT PAGE ➡

# STARTER MOTOR ASSEMBLY (GEAR SHIFT MODELS) C

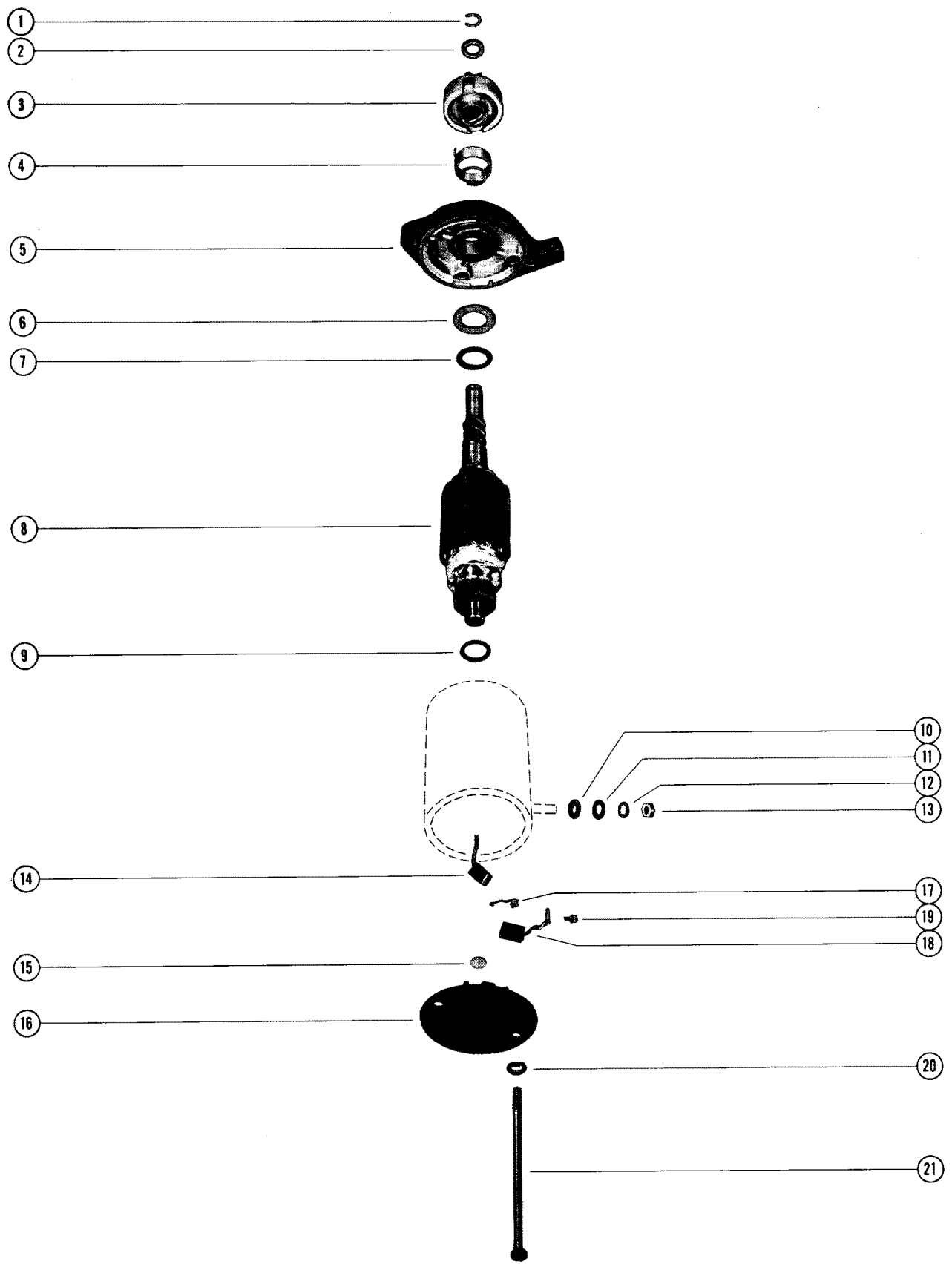




# STARTER MOTOR ASSEMBLY (GEAR SHIFT MODELS) C

REF. NO.	PART NO.	SYM.	QTY.	DESCRIPTION
22	32405		,1	FRAME, COMMUTATOR END- LOWER
23	13-26992		2,2	LOCKWASHER, THRU BOLT
24	32-32663		,2	TUBE, INSULATION - THRU BOLT
25	10-26046		2,	BOLT, THRU - FRAME TO FRAME
	10-31191		,2	BOLT, THRU - FRAME TO FRAME

# STARTER MOTOR ASSEMBLY (GEAR SHIFT MODELS) D

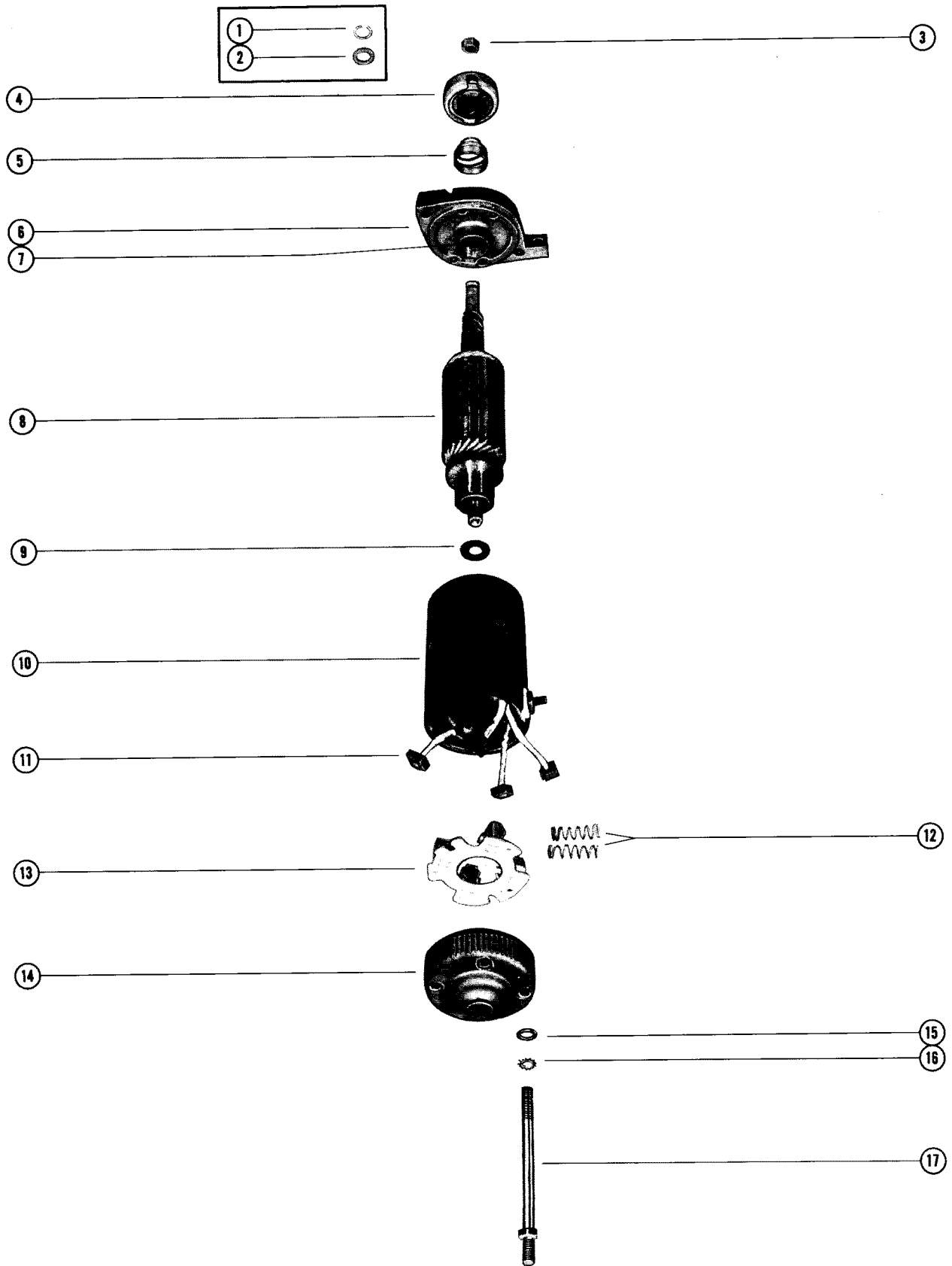


# STARTER MOTOR ASSEMBLY (GEAR SHIFT MODELS) D

REF. NO.	PART NO.	SYM.	QTY.	DESCRIPTION
-	50-37345A1		1,	STARTER MOTOR ASSEMBLY, COMP. MO551014A
-	50-38890A1		,1	STARTER MOTOR ASSEMBLY, COMP. MO551017A
1	31175		1,1	LOCKWASHER, PINION STOP COLLAR
2	31176		1,1	COLLAR, PINION STOP
3	32418		1,1	MOTOR DRIVE
4	24-32407		1,1	SPRING, TENSION - MOTOR DRIVE
5	38007		1,1	PLATE ASSEMBLY, DRIVE END
6	12-38008		1,1	WASHER, SHIMMING - ARMATURE
7	15-38009005		AR,AR	SHIM, END PLATE TO ARMATURE (.005)
	15-38009010		AR,AR	SHIM, END PLATE TO ARMATURE (.010)
	15-38009020		AR,AR	SHIM, END PLATE TO ARMATURE (.020)
8	38010		1,	ARMATURE
	39102		,1	ARMATURE
9	12-38011		1,	WASHER, THRUST- ARMATURE
10	12-38012		1,1	WASHER, INSULATION - INPUT STUD
11	12-38013		1,1	WASHER, INPUT STUD
12	13-26992		1,1	LOCKWASHER, INPUT STUD
13	11-20890		1,1	NUT, INPUT STUD
14			1,1	BRUSH, COMMUTATOR STARTER HOUSING <b>EACH KIT CONTAINS 2 BRUSHES AND 2 SPRINGS</b>
15	38015		1,1	DISC, THRUST- ARMATURE
16	38018		1,	END CAP ASSEMBLY, COMMUTATOR
	39104		,1	END CAP ASSEMBLY, COMMUTATOR
17	24-25655		2,	SPRING, BRUSH <b>EACH KIT CONTAINS 2 BRUSHES AND 2 SPRINGS</b>
	24-39103		,2	SPRING, BRUSH <b>EACH KIT CONTAINS 2 BRUSHES AND 2 SPRINGS</b>
18			1,1	BRUSH, END CAP <b>EACH KIT CONTAINS 2 BRUSHES AND 2 SPRINGS</b>
19	10-38016		1,1	SCREW, BRUSH TO END CAP
20	13-38019		2,2	LOCKWASHER, THRU BOLT
21	10-38020		2,	BOLT, THRU - END CAP TO DRIVE END PLATE
	10-39105		,2	BOLT, THRU - END CAP TO DRIVE END PLATE

WHEN ORDERING REPLACEMENT BRUSHES ON ABOVE STARTER MOTORS, ORDER ONE KIT FOR EACH STARTER MOTOR AS LISTED:[A-50-37345A1] STARTER MOTORé.[A-39101] BRUSH/SPRING KIT: [A-50-38890A1] STARTER MOTORé.[A-39106] BRUSH/SPRING KIT

# STARTER MOTOR ASSEMBLY (GEAR SHIFT MODELS) E



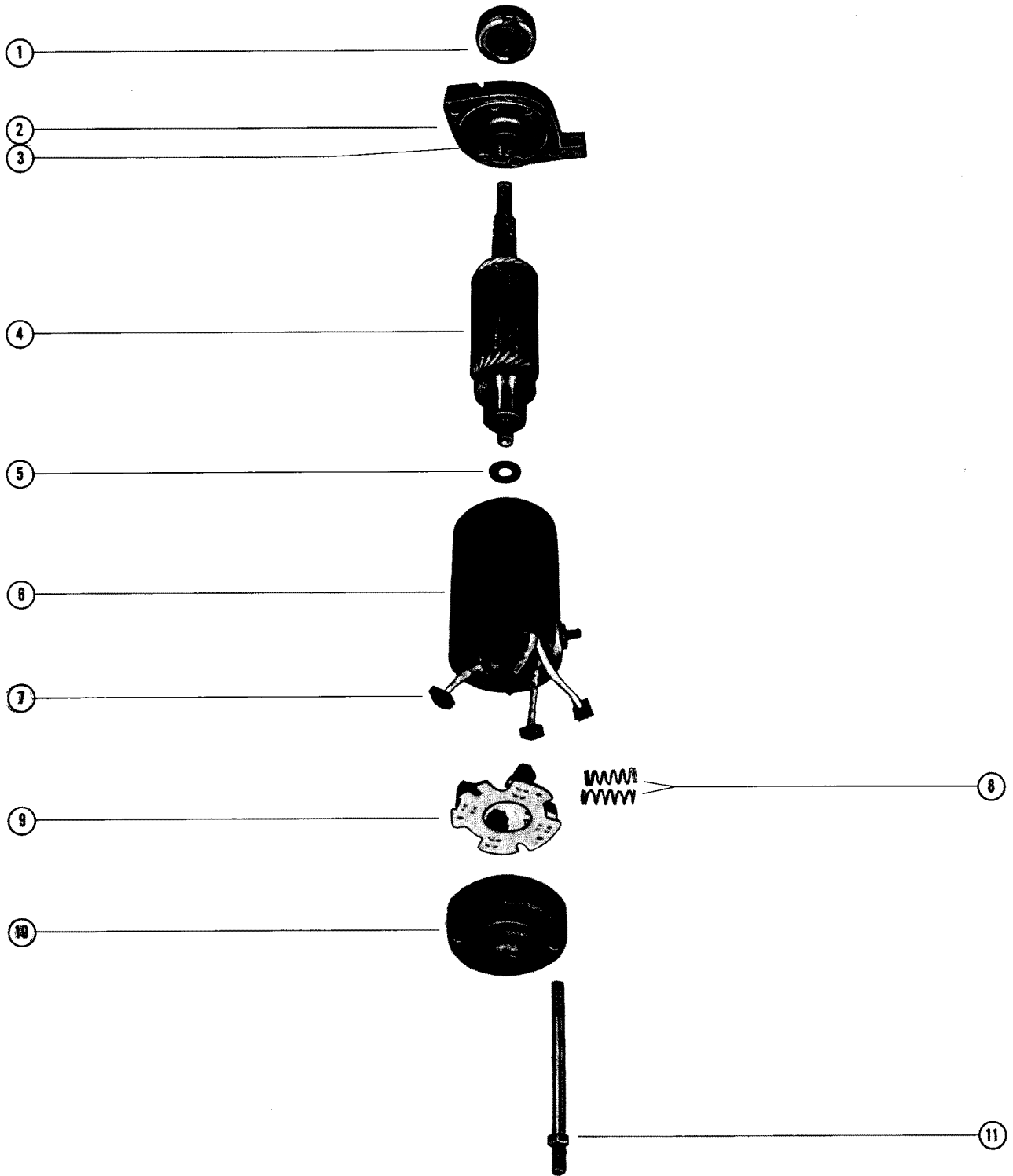
# STARTER MOTOR ASSEMBLY (GEAR SHIFT MODELS) E

REF. NO.	PART NO.	SYM.	QTY.	DESCRIPTION
-	50-37274A1		1,,,	STARTER MOTOR ASSEMBLY,COMPLETE
-	50-45822A1		,1,,,	STARTER MOTOR ASSEMBLY,COMPLETE
-	50-48643A1		,,1,,	STARTER MOTOR ASSEMBLY,COMPLETE
-	50-57465A1		,,,1,	STARTER MOTOR ASSEMBLY,COMPLETE
-	50-57867A1		,,,1	STARTER MOTOR ASSEMBLY,COMPLETE
1	31175		1,1,1,,	LOCKWIRE, PINION STOP COLLAR
2	31176		1,1,1,,	COLLAR, PINION STOP
3	11-35053		,,,1,1	NUT, PINION STOP
4	32406		1,1,1,1,1	MOTOR DRIVE
5	24-32407		1,1,1,1,1	SPRING, TENSION - MOTOR DRIVE
6	392-3170A1		1,,,	PLATE ASSEMBLY, DRIVE END
	392-3170		,1,,,1	PLATE ASSEMBLY, DRIVE END
	392-3409		,,1,,	PLATE ASSEMBLY, DRIVE END
	392-4261		,,,1,	PLATE ASSEMBLY, DRIVE END
7	392-2518		1,1,1,1,1	BUSHING, DRIVE END PLATE
8	392-2522		1,1,,,	ARMATURE
	392-3406		,,1,,	ARMATURE
	392-3906		,,,1,	ARMATURE
	392-4285		,,,1	ARMATURE
9	392-2523	◇	1,1,1,1,1	PACKAGE, ARMATURE THRUST WASHER
10	392-2520		1,,,	FRAME AND FIELD ASSEMBLY
	392-3169		,1,,,	FRAME AND FIELD ASSEMBLY
	392-3407		,,1,1,	FRAME AND FIELD ASSEMBLY
	392-3782		,,,1	FRAME AND FIELD ASSEMBLY
11	392-2521	+	1,1,1,1,1	BRUSH AND TERMINAL SET
12	392-2514		2,2,2,2,2	SPRING SET, BRUSH(2 SPRINGS PER SET)
13	392-2519		1,1,1,1,1	BRUSH PLATE AND HOLDER ASSEMBLY
14	392-2515		1,1,,,1	END CAP ASSEMBLY, COMMUTATOR
	392-3408		,,1,,	END CAP ASSEMBLY, COMMUTATOR
	392-4260		,,,1,	END CAP ASSEMBLY, COMMUTATOR
-	<b>392-2516</b>		1,1,1,1,1	<b>BUSHING, COMMUTATOR END CAP</b>
15	12-31760		2,2,,2,2	WASHER, THRU BOLT
16	13-26908		2,2,,2,2	LOCKWASHER, THRU BOLT
	13-26993		,,3,,	LOCKWASHER, THRU BOLT
17	392-2524		2,,,	BOLT, THRU - END CAP TO END PLATE (1/4 - 20)
	392-3171		2,2,,,2	BOLT, THRU - END CAP TO END PLATE (1/4 - 28)
	392-3410		,,3,,	BOLT, THRU - END CAP TO END PLATE (5/16 - 13)
	392-4262		,,,2,	BOLT, THRU - END CAP TO END PLATE (1/4 - 28)

◇ = PACKAGE CONTAINS VARIOUS THICKNESS WASHERS FOR SERVICE REPLACEMENT

⊕ = INCLUDE ALL 4 BRUSHES PLUS TERMINAL AND LOCKNUT

# STARTER MOTOR ASSEMBLY (GEAR SHIFT MODELS) F



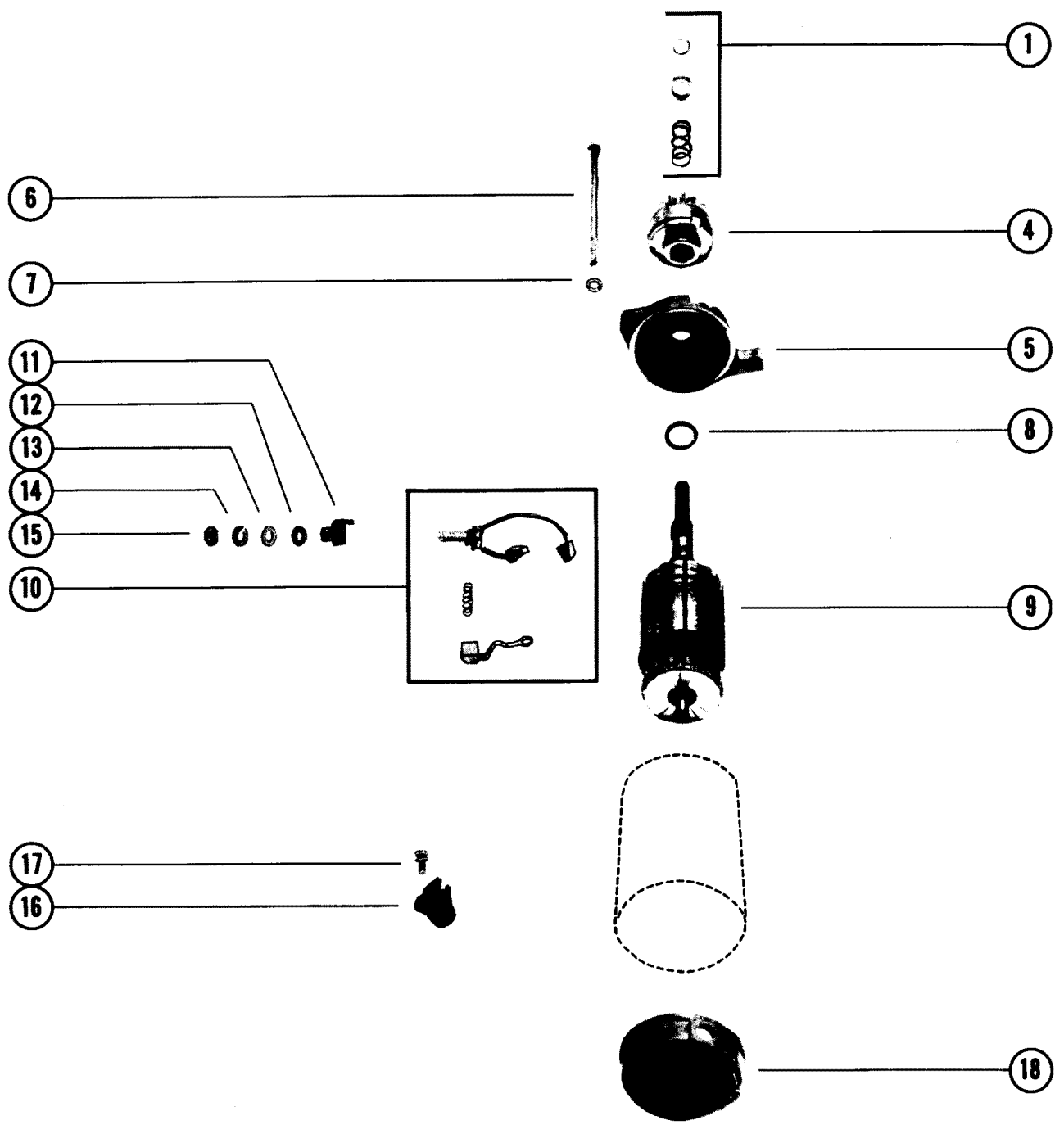
# STARTER MOTOR ASSEMBLY (GEAR SHIFT MODELS) F

REF. NO.	PART NO.	SYM.	QTY.	DESCRIPTION
-	50-58788		1,,	STARTER MOTOR ASSEMBLY, COMPLETE
-	50-60315		,1,	STARTER MOTOR ASSEMBLY, COMPLETE
-	50-64975		,,1	STARTER MOTOR ASSEMBLY, COMPLETE
1	392-4530		1,1,	MOTOR DRIVE INCLUDES NUT, SPRING AND COLLAR
	392-5053		,,1	MOTOR DRIVE INCLUDES NUT, SPRING AND COLLAR
2	392-3170		1,,	PLATE ASSEMBLY, DRIVE END
	392-4261		,1,1	PLATE ASSEMBLY, DRIVE END
3	392-2518		1,1,1	BUSHING, DRIVE END PLATE
4	392-4529		1,,	ARMATURE
	392-4863		,1,	ARMATURE
	392-5150		,,1	ARMATURE
5	392-2523	◇	1,1,	PACKAGE, ARMATURE THRUST WASHER
	392-2523	◇	,,1	PACKAGE, ARMATURE THRUST WASHER
6	392-3782		1,,	FRAME AND FIELD ASSEMBLY
	392-4865		,1,	FRAME AND FIELD ASSEMBLY
	392-3407		,,1	FRAME AND FIELD ASSEMBLY
7	392-2521	+	1,,1	BRUSH AND TERMINAL SET
	392-4866	+	,1,	BRUSH AND TERMINAL SET
8	392-2514		2,2,2	SPRING SET, BRUSH (2 SPRINGS PER SET)
9	392-2519		1,,1	BRUSH PLATE AND HOLDER ASSEMBLY
	392-4864		,1,	BRUSH PLATE AND HOLDER ASSEMBLY
10	392-2515		1,,	END CAP ASSEMBLY, COMMUTATOR
	392-4260		,1,1	END CAP ASSEMBLY, COMMUTATOR
11	392-3171		2,,	BOLT, THRU - END CAP TO END PLATE (1/4 - 28)
	392-4867		,2,	BOLT, THRU - END CAP TO END PLATE
	392-4262		,,2	BOLT, THRU - END CAP TO END PLATE

◇ = PACKAGE CONTAINS VARIOUS THICKNESS WASHERS FOR SERVICE REPLACEMENT

⊕ = INCLUDE ALL 4 BRUSHES PLUS TERMINAL AND LOCKNUT

# STARTER MOTOR ASSEMBLY, COMPLETE A

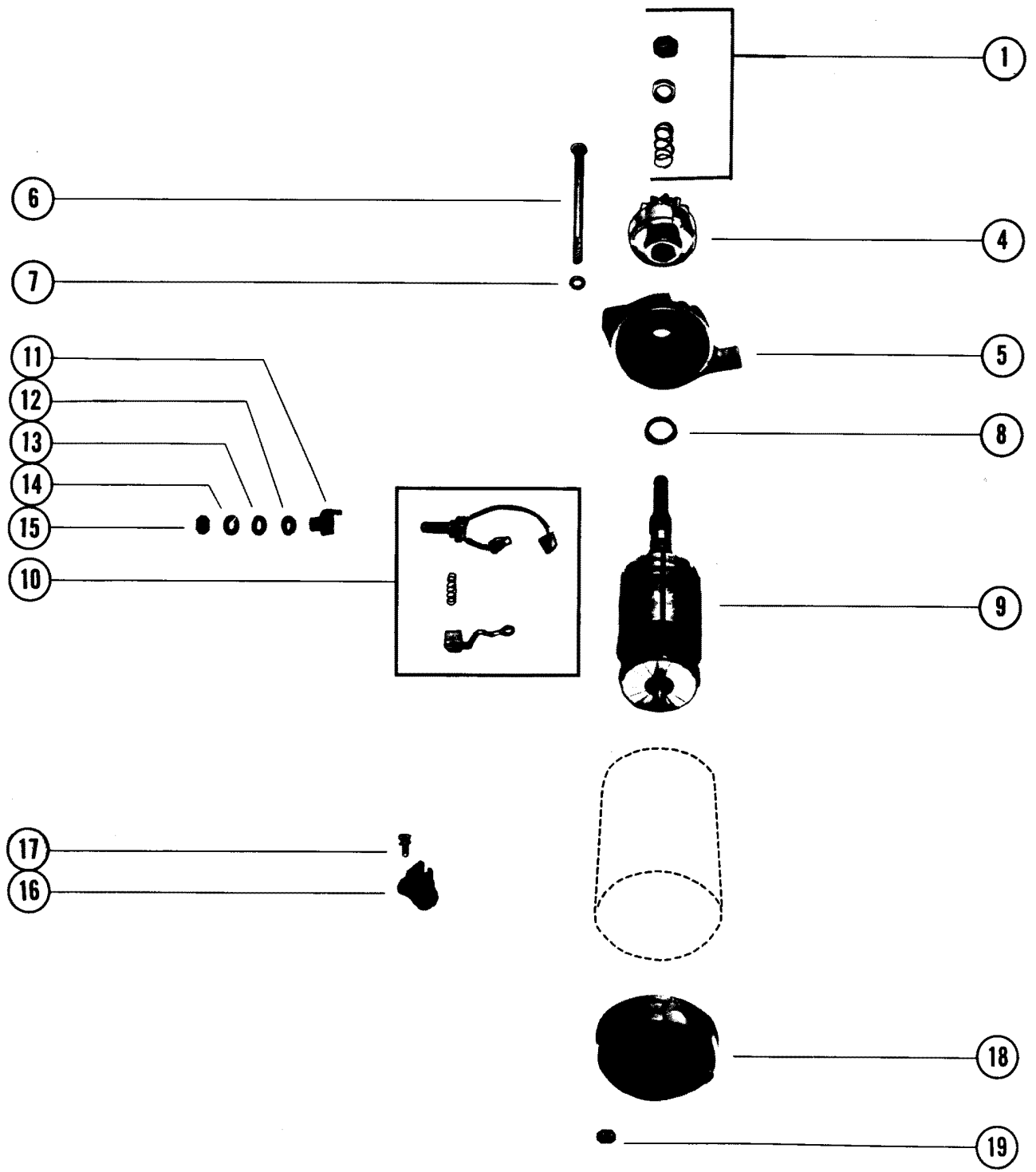




## STARTER MOTOR ASSEMBLY, COMPLETE A

REF. NO.	PART NO.	SYM.	QTY.	DESCRIPTION
-	50-55601		1	STARTER MOTOR ASSEMBLY, COMPLETE
1	90642		1	DRIVE KIT
4	57380		1	DRIVE ASSEMBLY
5	57382		1	PLATE ASSEMBLY, DRIVE END
6	10-57381		2	BOLT, THRU - PLATE TO END CAP
7	13-38019		2	LOCKWASHER, THRU BOLT
8	12-57383		1	WASHER, THRUST - ARMATURE
9	57384		1	ARMATURE
L0	57390		1	BRUSH SET
11	23-57387		1	BUSHING, INSULATING - INPUT STUD
12	12-57388		1	WASHER, INSULATING - INPUT STUD
13	12-38013		1	WASHER, INPUT STUD
14	13-38019		1	LOCKWASHER, INPUT STUD
15	11-20890		1	NUT, INPUT STUD
16	57385		2	HOLDER, BRUSH
17	10-57386		2	SCREW, BRUSH AND HOLDER TO END CAP
18	57389		1	END CAP ASSEMBLY, COMMUTATOR

# STARTER MOTOR ASSEMBLY, COMPLETE B

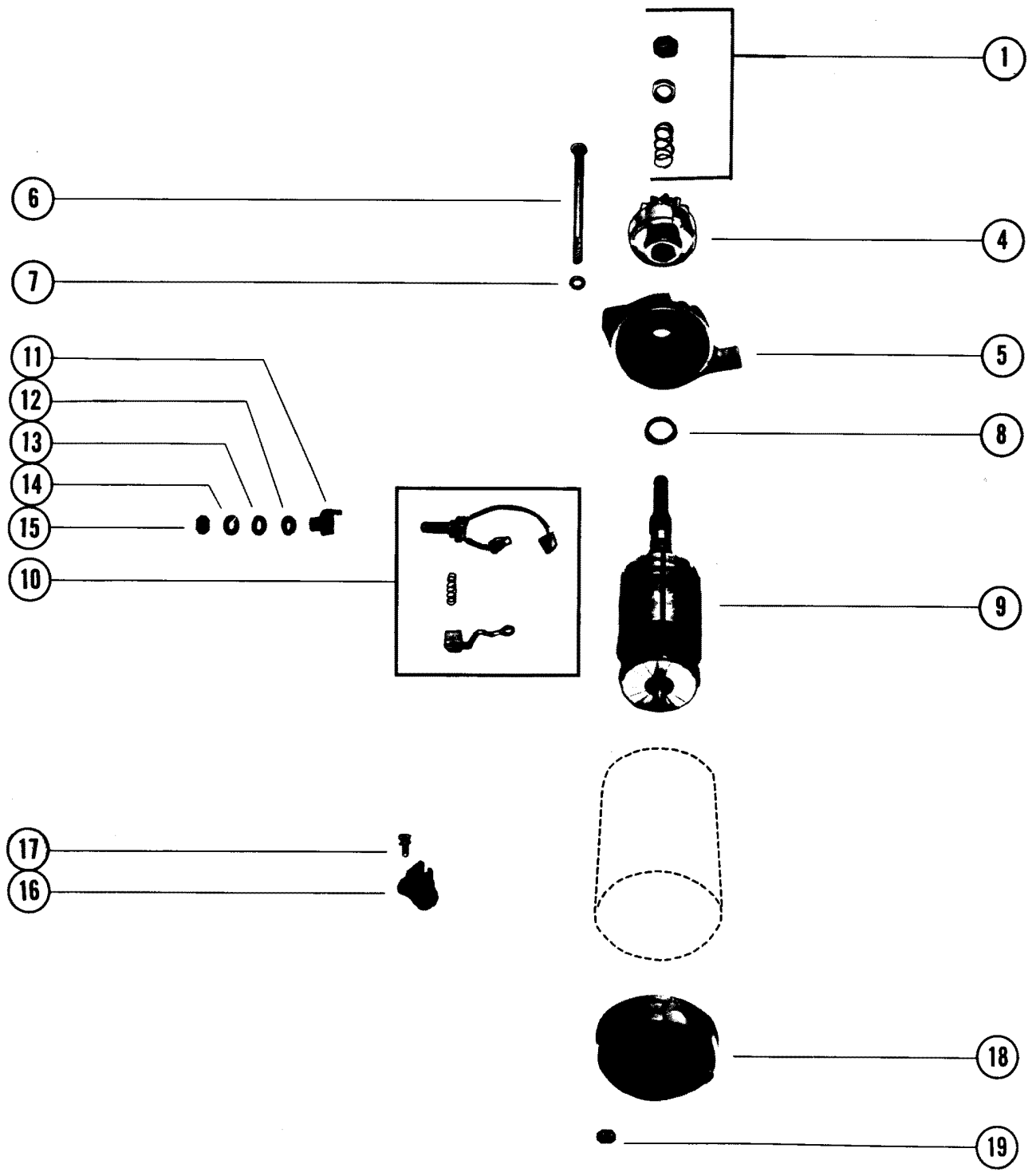


# STARTER MOTOR ASSEMBLY, COMPLETE B

REF. NO.	PART NO.	SYM.	QTY.	DESCRIPTION
-	50-67341		1, , , , , , , , , ,	STARTER MOTOR ASSEMBLY
-	50-65436		, 1, , , , , , , , ,	STARTER MOTOR ASSEMBLY
-	50-72467		, , 1, , , , , , , , ,	STARTER MOTOR ASSEMBLY
-	50-73521		, , , 1, , , , , , , , ,	STARTER MOTOR ASSEMBLY
-	50-66015		, , , , 1, , , , , , , , ,	STARTER MOTOR ASSEMBLY
-	50-77141		, , , , , 1, , , , , , , , ,	STARTER MOTOR ASSEMBLY
-	50-79472		, , , , , , 1, , , , , , , , ,	STARTER MOTOR ASSEMBLY
-	50-86976		, , , , , , , 1, , , , , , , , ,	STARTER MOTOR ASSEMBLY
1	90643		1, 1, , 1, 1, , , , , , , , ,	DRIVE KIT
	90644		, , 1, , , , , , , , , ,	DRIVE KIT
	90645		, , , , , 1, 1, , , , , , , , ,	DRIVE KIT
	90646		, , , , , , 1, , , , , , , , ,	DRIVE KIT
4	68575		1, 1, 1, 1, 1, , , , , , , , , ,	DRIVE ASSEMBLY
	75661		, , , , , 1, 1, , , , , , , , ,	DRIVE ASSEMBLY
	86177		, , , , , , 1, , , , , , , , ,	DRIVE ASSEMBLY
5	68584		1, , , , , , , , , , , , , , ,	PLATE,DRIVE END
	63291		, 1, , , , , , , , , , , , , , ,	PLATE,DRIVE END
	74966		, , 1, , , , , , , , , , , , , , ,	PLATE,DRIVE END
	75381		, , , 1, 1, , , , , , , , , , , , , ,	PLATE,DRIVE END
	75660		, , , , , 1, 1, 1, , , , , , , , , ,	PLATE,DRIVE END
6	10-68581		2, , , , , , , , , , , , , , ,	BOLT,THRU
	10-68576		, 2, , , , , , , , , , , , , , ,	BOLT,THRU
	10-74968		, , 2, , , 2, 2, , , , , , , , , ,	BOLT,THRU
	10-75379		, , , 2, , , , , , , , , , , , , , ,	BOLT,THRU
	10-75385		, , , , 2, , , , , , , , , , , , , , ,	BOLT,THRU
7	13-68583		2, , , , , , , , , , , , , , ,	LOCKWASHER,THRU BOLT
	13-61789		, 2, 2, , 2, 2, , , , , , , , , ,	LOCKWASHER,THRU BOLT
	13-26992		, , , 2, , , , , , , , , , , , , , ,	LOCKWASHER,THRU BOLT
8	12-57383		1, 1, 1, 1, 1, , , , , , , , , ,	WASHER, THRU
9	68585		1, , , , , , , , , , , , , , ,	ARMATURE
	68578		, 1, , , , , , , , , , , , , , ,	ARMATURE
	74964		, , 1, , , , , , , , , , , , , , ,	ARMATURE
	75382		, , , 1, , , , , , , , , , , , , , ,	ARMATURE
	75386		, , , , 1, , , , , , , , , , , , , , ,	ARMATURE
	75658		, , , , , 1, , , , , , , , , , , , , , ,	ARMATURE
	79216		, , , , , , 1, , , , , , , , , , , , , , ,	ARMATURE
	86178		, , , , , , , 1, , , , , , , , , , , , , , , ,	ARMATURE
10	63292		1, 1, 1, , , , , , , , , , , , , , , ,	BRUSH SET
	75384		, , , 1, 1, 1, 1, , , , , , , , , , , , , , , ,	BRUSH SET
11	23-57387		1, 1, 1, 1, 1, 1, , , , , , , , , , , , , , , ,	BUSHING, INSULATING
12	12-57388		1, 1, 1, 1, 1, 1, , , , , , , , , , , , , , , ,	WASHER, INSULATING
13	12-38013		1, 1, 1, 1, 1, 1, , , , , , , , , , , , , , , ,	WASHER, INPUT STUD
14	13-26992		1, 1, 1, 1, 1, 1, , , , , , , , , , , , , , , ,	LOCKWASHER, INPUT STUD

CONTINUED ON NEXT PAGE ➡

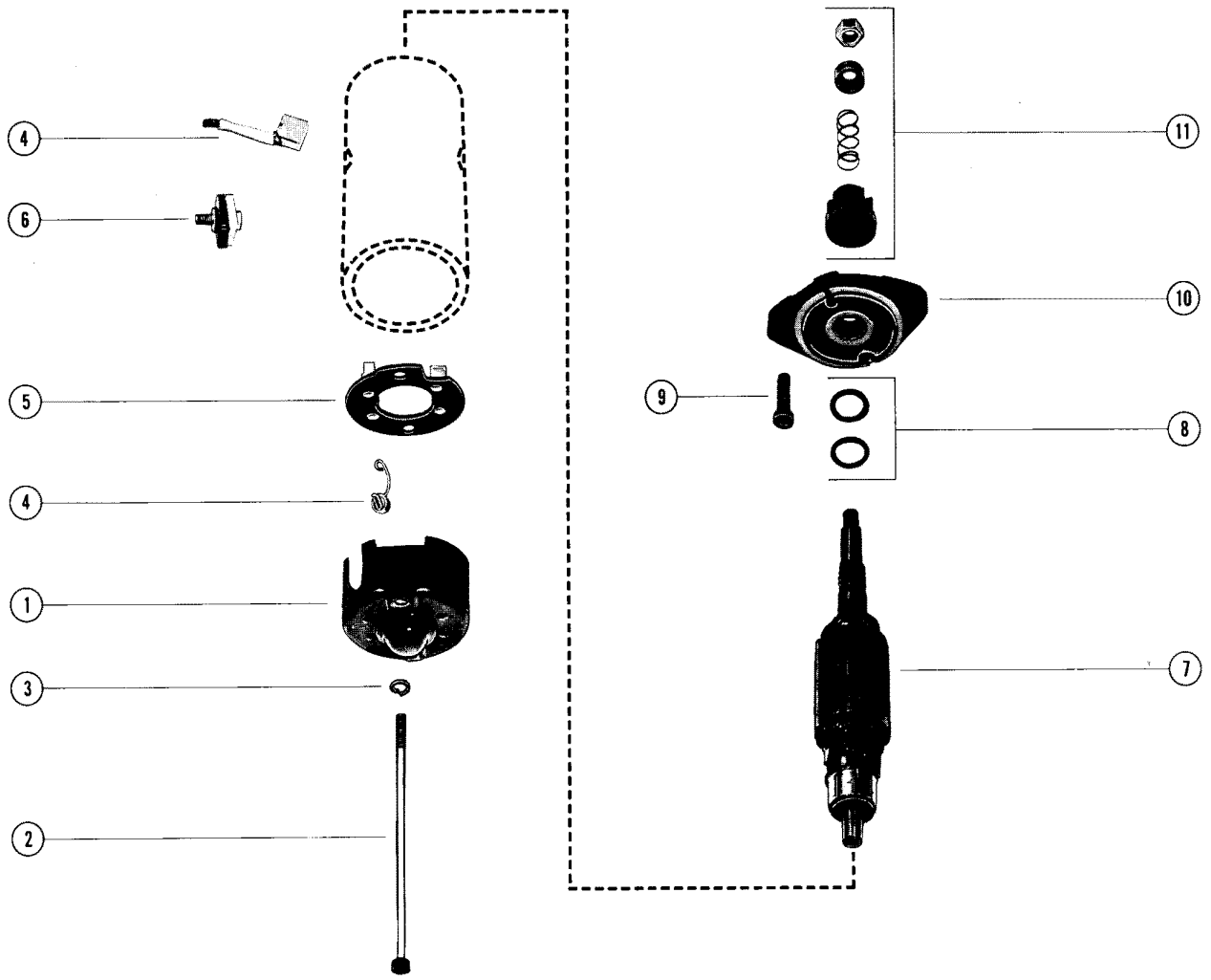
# STARTER MOTOR ASSEMBLY, COMPLETE B



## STARTER MOTOR ASSEMBLY, COMPLETE B

REF. NO.	PART NO.	SYM.	QTY.	DESCRIPTION
15	11-20890		1,1,1,1,1,	NUT, INPUT STUD
16	61787		2,2,2,2,2,	HOLDER, BRUSH
17	10-68586		2,2,2,2,2,	SCREW, BRUSH AND HOLDER
18	68587		1,,,,,,	END CAP,COMMUTATOR
	68579		,1,1,,,,,	END CAP,COMMUTATOR
	75383		,,,1,,,,,	END CAP,COMMUTATOR
	75387		,,,,1,,,,	END CAP,COMMUTATOR
	75657		,,,,,1,,,	END CAP,COMMUTATOR
	79215		,,,,,,1,1	END CAP,COMMUTATOR
-	<b>23-68589</b>		<b>1,,,,,,</b>	<b>SPACER, THRU BOLT</b>
19	11-68588		1,,,,,,	NUT, THRU BOLT

# STARTER MOTOR ASSEMBLY C



## STARTER MOTOR ASSEMBLY C

REF. NO.	PART NO.	SYM.	QTY.	DESCRIPTION
-	50-47216		1	STARTER MOTOR ASSEMBLY, COMPLETE BOSCH SMF 12A 2
1	48208		1	CAP ASSEMBLY, COMMUTATOR END
2	10-48205		2	BOLT, THRU - CAP TO END PLATE
3	13-26996		2	LOCKWASHER, THRU BOLT
4	48211		1	SPRING AND BRUSH SET (2 PER SET)
5	48212		1	PLATE AND HOLDER ASSEMBLY, BRUSH
6	48213		1	TERMINAL ASSEMBLY, STARTER MOTOR
7	48207		1	ARMATURE
8	12-48468		AR	WASHER, SPACING - ARMATURE
9	10-48206		2	SCREW, STARTER MOTOR MOUNTING
10	48209		1	END PLATE ASSEMBLY, DRIVE END
11	48210		1	DRIVE ASSEMBLY, COMPLETE

# PARTS INDEX

Part Number	Description	Pg.	Ref. No.	Part Number	Description	Pg.	Ref. No.
25444	STARTER MOTOR ASSEMBLY, COMPLETE (BOSCH)	9	1	26050	CUSHION,, RUBBER - RECOIL	19	11
25469	WIRE, STARTER TO STARTER SOLENOID	9	39	26058	STOP, PINION	5	3
25469	WIRE, STARTER TO STARTER SOLENOID (SEE NOTE 2)	7	38	26058	STOP, PINION	17	3
25473	ADAPTOR, TOP CAP	9	15	26058	STOP, PINION	19	3
25474	PLATE, UPPER - STARTER MOTOR FASTENING	11	40	26328	ADAPTOR, TOP CAP	13	15
25596	WIRE, STARTER TO STARTER SOLENOID (SEE NOTE 2)	7	38	27032	PLATE, DRIVE END	13	16
25628	SHAFT, SCREW	9	9	27032	PLATE, DRIVE END	17	14
25632	SUPPORT, DRIVE SPRING	9	13	27033A1	END PLATE ASSEMBLY, COMMUTATOR	17	24
25636	PLATE, DRIVE END	9	18	27033A1	END PLATE, COMMUTATOR	15	28
25641	ARMATURE	9	21	27097	PLATE, DRIVE END	13	16
25643	HOUSING ASSEMBLY, STARTER	9	23	27100	ARMATURE	13	18
25652	BRUSH, HOUSING ASSEMBLY	9	24	27101	HOUSING AND FIELD,STARTER	13	20
25653	BRUSH, HOUSING AND FIELD	15	24	27102	STRIP, INSULATION - FIELD COIL WINDINGS	13	--
25653	BRUSH, HOUSING ASSEMBLY	9	25	27103	STRIP, INSULATION - THRU BOLT (DRIVE END)	15	--
25654	BRUSH, COMMUTATOR END PLATE	15	25	27104	STRIP, INSULATION - THRU BOLT (COMM. END)	15	--
25654	BRUSH, END PLATE	9	26	27113	SHAFT, SCREW	13	7
25657	END PLATE, COMMUTATOR	9	29	27113	SHAFT, SCREW	17	8
25657	END PLATE, COMMUTATOR	15	28	27113	SHAFT, SCREW - PINION GEAR	19	8
25659	STRIP, INSULATION - END PLATE	9	30	27689	STRIP, INSULATION - BRUSH SHUNT CLIP	15	--
25659	STRIP, INSULATION - END PLATE	15	29	27689	STRIP, INSULATION - BRUSH SHUNT CLIP	15	--
25660	COVER, END PLATE	9	31	27690	ARMATURE	13	18
25660	COVER, END PLATE	15	30	27691	HOUSING AND FIELD,STARTER	13	20
25942	STARTER MOTOR ASSEMBLY, COMPLETE	5	-	27695	BRUSH, HOUSING AND FIELD	15	24
26026	ARMATURE	5	16	27695	BRUSH, HOUSING AND FIELD (DOUBLE BRUSH)	17	23
26027	FRAME AND FIELD ASSEMBLY	5	19	27696	BRUSH, COMMUTATOR END PLATE	15	25
26028	FIELD COIL ASSEMBLY	5	22	27698	STRIP, INSULATION - COMMUTATOR END PLATE	17	29
26029	TERMINAL LEAD, FIELD COIL	5	23	27698	STRIP, INSULATION - END PLATE	15	29
26030	SHOE, POLE - FRAME AND FIELD	5	20	27699	COVER, END PLATE	15	30
26038	FRAME, COMMUTATOR END - LOWER	7	33	27699	COVER, RUBBER - COMMUTATOR END PLATE	17	30
26039	PACKAGE, BRUSH HOLDER REPLACEMENT	7	30	28537	HOUSING AND FIELD,STARTER	13	20
26041	PACKAGE, BRUSH REPLACEMENT	7	31	28538	BRUSH, COMMUTATOR END PLATE	15	25
26049	CUP, CUSHION	5	10	28538	BRUSH, COMMUTATOR END PLATE (DOUBLE BRUSH)	17	27
26049	CUP, CUSHION	13	11	29257	SHAFT, SCREW	13	7
26049	CUP, CUSHION	17	10	29257	SHAFT, SCREW - PINION GEAR	19	8
26049	CUP, CUSHION	19	10	29260	HOUSING AND FIELD,STARTER	13	20
26050	CUSHION, RUBBER- RECOIL	5	11	2S25655	SPRING, TENSION - STARTER BRUSH	17	26
26050	CUSHION, RUBBER- RECOIL	13	12				
26050	CUSHION, RUBBER- RECOIL	17	11				



# PARTS INDEX

Part Number	Description	Pg.	Ref. No.	Part Number	Description	Pg.	Ref. No.
31169	TERMINAL LEAD, FIELD COIL .....	21	11	32409	PACKAGE, BRUSH HOLDER REPLACEMENT .....	7	30
31171	PACKAGE, BRUSH HOLDER REPLACEMENT (INSULATED) .....	21	19	32410	PACKAGE, BRUSH REPLACEMENT .....	7	31
31172	PACKAGE, BRUSH REPLACEMENT .....	21	21	32412	SHOE, POLE - FRAME AND FIELD .....	5	20
31175	LOCKWASHER, PINION STOP COLLAR .....	25	1	32418	MOTOR DRIVE .....	21	3
31175	LOCKWIRE, PINION STOP COLLAR .....	21	1	32418	MOTOR DRIVE .....	25	3
31175	LOCKWIRE, PINION STOP COLLAR .....	27	1	38007	PLATE ASSEMBLY, DRIVE END .....	25	5
31176	COLLAR, PINION STOP ....	21	2	38010	ARMATURE .....	25	8
31176	COLLAR, PINION STOP ....	25	2	38015	DISC, THRUST- ARMATURE	25	15
31176	COLLAR, PINION STOP ....	27	2	38018	END CAP ASSEMBLY, COMMUTATOR .....	25	16
31179	FRAME, COMMUTATOR END - LOWER .....	21	22	39102	ARMATURE .....	25	8
31180	ARMATURE .....	21	7	39104	END CAP ASSEMBLY, COMMUTATOR .....	25	16
31181	FRAME, DRIVE END - UPPER .....	21	5	48207	ARMATURE .....	37	7
31183	FRAME, COMMUTATOR END- LOWER .....	19	31	48208	CAP ASSEMBLY, COMMUTATOR END ....	37	1
31186	ARMATURE .....	19	16	48209	END PLATE ASSEMBLY, DRIVE END .....	37	10
31189	TERMINAL LEAD, F IELD COIL .....	19	20	48210	DRIVE ASSEMBLY,COMPLETE ..	37	11
31189	TERMINAL LEAD, FIELD COIL .....	21	11	48211	SPRING AND BRUSH SET (2 PER SET) .....	37	4
31190	FRAME AND FIELD ASSEMBLY .....	19	19	48212	PLATE AND HOLDER ASSEMBLY, BRUSH ....	37	5
31190	FRAME AND FIELD ASSEMBLY .....	21	10	48213	TERMINAL ASSEMBLY, STARTER MOTOR .....	37	6
31192	FRAME AND FIELD ASSEMBLY .....	21	10	57380	DRIVE ASSEMBLY .....	31	4
31193	FRAME, DRIVE END - UPPER .....	19	14	57382	PLATE ASSEMBLY, DRIVE END .....	31	5
31193	FRAME, DRIVE END - UPPER .....	21	5	57384	ARMATURE .....	31	9
31193	FRAME, DRIVE END- UPPER	5	14	57385	HOLDER, BRUSH .....	31	16
31196	PACKAGE, BRUSH HOLDER REPLACEMENT (INSULATED) .....	21	19	57389	END CAP ASSEMBLY,COMMUTATOR	31	18
31196	PACKAGE, BRUSHER HOLDER REPLACEMENT (INSULATED) .....	19	28	57390	BRUSH SET .....	31	L0
31197	PACKAGE, BRUSH REPLACEMENT .....	19	30	61787	HOLDER, BRUSH .....	35	16
31197	PACKAGE, BRUSH REPLACEMENT .....	21	21	63291	PLATE,DRIVE END .....	33	5
31230	ARMATURE .....	17	17	63292	BRUSH SET .....	33	10
31231	HOUSING AND FIELD, STARTER .....	17	18	68575	DRIVE ASSEMBLY .....	33	4
32404	ARMATURE .....	21	7	68578	ARMATURE .....	33	9
32405	FRAME, COMMUTATOR END - LOWER .....	7	33	68579	END CAP,COMMUTATOR ..	35	18
32405	FRAME, COMMUTATOR END- LOWER .....	23	22	68584	PLATE,DRIVE END .....	33	5
32406	MOTOR DRIVE .....	21	3	68585	ARMATURE .....	33	9
32406	MOTOR DRIVE .....	27	4	68587	END CAP,COMMUTATOR ..	35	18
32408	ARMATURE .....	5	16	74964	ARMATURE .....	33	9
				74966	PLATE,DRIVE END .....	33	5
				75381	PLATE,DRIVE END .....	33	5
				75382	ARMATURE .....	33	9
				75383	END CAP,COMMUTATOR ..	35	18
				75384	BRUSH SET .....	33	10
				75386	ARMATURE .....	33	9
				75387	END CAP,COMMUTATOR ..	35	18
				75424	ARMATURE .....	3	7
				75425	END CAP, COMMUTATOR .	3	9
				75426	PLATE ASSEMBLY, DRIVE END .....	3	5
				75429	DISC, THRUST .....	3	8

# PARTS INDEX

Part Number	Description	Pg.	Ref. No.	Part Number	Description	Pg.	Ref. No.
75614	PLATE ASSEMBLY, DRIVE END .....	3	5	10-39105	BOLT, THRU - END CAP TO DRIVE END PLATE .....	25	21
75657	END CAP, COMMUTATOR ..	35	18	10-48205	BOLT, THRU - CAP TO END PLATE .....	37	2
75658	ARMATURE .....	33	9	10-48206	SCREW, STARTER MOTOR MOUNTING .....	37	9
75660	PLATE, DRIVE END .....	33	5	10-57386	SCREW, BRUSH AND HOLDER TO END CAP ..	31	17
75661	DRIVE ASSEMBLY .....	33	4	10-68576	BOLT, THRU .....	33	6
79215	END CAP, COMMUTATOR ..	35	18	10-68581	BOLT, THRU .....	33	6
79216	ARMATURE .....	33	9	10-68586	SCREW, BRUSH AND HOLDER .....	35	17
79217	PLATE ASSEMBLY, DRIVE END .....	3	5	10-74968	BOLT, THRU .....	33	6
86177	DRIVE ASSEMBLY .....	33	4	10-75379	BOLT, THRU .....	33	6
86178	ARMATURE .....	33	9	10-75385	BOLT, THRU .....	33	6
90642	DRIVE KIT .....	31	1	10-75428	BOLT, THRU - PLATE TO END CAP .....	3	10
90643	DRIVE KIT .....	33	1	11-20220	NUT, FASTENING .....	19	2
90644	DRIVE KIT .....	33	1	11-20220	NUT, FASTENING PLATE MODELS .....	5	2
90645	DRIVE KIT .....	33	1	11-20890	NUT, INPUT STUD .....	25	13
90646	DRIVE KIT .....	33	1	11-20890	NUT, INPUT STUD .....	31	15
.-75427	DRIVE ASSEMBLY .....	3	4	11-20890	NUT, INPUT STUD .....	35	15
10-22698	SCREW, STARTER MOTOR TO CRANKCASE FLANGE (SEE NOTE 2) .....	7	36	11-23868	NUT, TERMINAL LEAD ....	7	29
10-25503	SCREW, UPPER PLATE TO ADAPTOR .....	11	42	11-23868	NUT, TERMINAL LEAD ....	19	27
10-25646	BOLT, THRU - COVER TO ADAPTOR .....	9	34	11-23868	NUT, TERMINAL LEAD ....	21	18
10-25656	SCREW, BRUSH FASTENING	15	27	11-25622	NUT, FASTENING .....	5	2
10-25656	SCREW, BRUSH FASTENING	15	27	11-25622	NUT, FASTENING .....	9	3
10-25656	SCREW, BRUSH TO END PLATE .....	17	28	11-25622	NUT, FASTENING .....	13	3
10-25656	SCREW, FASTENING - BRUSH (GROUND) .....	9	28	11-25650	NUT, FASTENING .....	17	2
10-26046	BOLT, THRU - FRAME TO FRAME .....	7	35	11-25650	NUT, HOUSING TERMINALS	9	38
10-26046	BOLT, THRU - FRAME TO FRAME .....	23	25	11-25650	NUT, INPUT AND GROUND TERMINAL .....	15	23
10-27105	BOLT, THRU - COMMUTATOR END PLATE TO ADAPTOR ....	15	33	11-25650	NUT, INPUT AND GROUND TERMINAL .....	15	23
10-27693	BOLT, THRU - COMMUTATOR END PLATE TO DRIVE END PLATE .....	15	33	11-35053	NUT, INPUT TERMINAL ....	17	22
10-27693	BOLT, THRU - COMMUTATOR END PLATE TO DRIVE END PLATE .....	17	33	11-68588	NUT, PINION STOP .....	27	3
10-28635	SCREW, LEAD WIRE TO STARTER (SEE NOTE 2) .	7	--	11-75340	NUT, THRU BOLT .....	35	19
10-29269	SCREW, POLE SHOE TO FRAME .....	5	21	12-23243	NUT, RETAINING - DRIVE ASSEMBLY .....	3	1
10-31178	SCREW, POLE SHOE TO FRAME .....	5	21	12-23243	WASHER, INPUT AND GROUND TERMINAL ....	15	21
10-31191	BOLT, THRU - FRAME TO FRAME .....	19	32	12-23243	WASHER, INPUT AND GROUND TERMINAL ....	15	21
10-31191	BOLT, THRU - FRAME TO FRAME .....	23	25	12-23243	WASHER, INPUT TERMINAL	17	20
10-38016	SCREW, BRUSH TO END CAP .....	25	19	12-23243	WASHER, TERMINAL LEAD (OUTSIDE FRAME) .....	19	25
10-38020	BOLT, THRU - END CAP TO DRIVE END PLATE .....	25	21	12-23243	WASHER, THRU BOLT ....	9	32
				12-23243	WASHER, THRU BOLT ....	15	31
				12-23243	WASHER, THRU BOLT ....	17	31
				12-23243	WASHER, TERMINAL LEAD (OUTSIDE FRAME) .....	7	27
				12-23243	WASHER, TERMINAL LEAD (OUTSIDE FRAME) .....	21	16
				12-25625	WASHER, ANTI-DRIFT SPRING .....	9	6
				12-25629	WASHER, RUBBER - RECOIL CUSHIONING .....	9	10
				12-25630	WASHER, THRUST .....	9	11
				12-25642	WASHER, SHIMMING .....	9	22

# PARTS INDEX

Part Number	Description	Pg.	Ref. No.	Part Number	Description	Pg.	Ref. No.
12-25642	WASHER, THRUST . . . . .	13	19	12-31177	WASHER, INSULATING - TERMINAL LEAD (INSIDE FRAME) . . . . .	19	21
12-25647	WASHER, INSULATING - INPUT TERMINAL . . . . .	15	--	12-31177	WASHER,INSULATING - TERMINAL LEAD (INSIDE FRAME) . . . . .	5	24
12-25647	WASHER, INSULATING - INPUT TERMINAL . . . . .	17	19	12-31177	WASHER,INSULATING - TERMINAL LEAD (INSIDE FRAME) . . . . .	21	12
12-25647	WASHER, INSULATION - HOUSING TERMINAL . . . . .	9	35	12-31184	WASHER, THRUST- ARMATURE . . . . .	5	17
12-25648	WASHER, HOUSING TERMINALS . . . . .	9	36	12-31184	WASHER, THRUST- ARMATURE . . . . .	19	17
12-26032	WASHER, INSULATING - TERMINAL LEAD (OUTSIDE FRAME) . . . . .	19	24	12-31184	WASHER, THRUST- ARMATURE . . . . .	21	8
12-26032	WASHER,INSULATING - TERMINAL LEAD (OUTSIDE FRAME) . . . . .	5	26	12-31760	WASHER, THRUBOLT . . . . .	27	15
12-26032	WASHER,INSULATING - TERMINAL LEAD (OUTSIDE FRAME) . . . . .	7	26	12-38008	WASHER, SHIMMING - ARMATURE . . . . .	25	6
12-26032	WASHER,INSULATING - TERMINAL LEAD (OUTSIDE FRAME) . . . . .	21	15	12-38011	WASHER, THRUST- ARMATURE . . . . .	25	9
12-26033	WASHER, TERMINAL LEAD - BUSHING (INSIDE FRAME) . . . . .	19	22	12-38012	WASHER, INSULATION - INPUT STUD . . . . .	25	10
12-26033	WASHER,TERMINAL LEAD - BUSHING (INSIDE FRAME) . . . . .	5	24	12-38013	WASHER, INPUT STUD . . . . .	25	11
12-26033	WASHER,TERMINAL LEAD - BUSHING (INSIDE FRAME) . . . . .	21	13	12-38013	WASHER, INPUT STUD . . . . .	31	13
12-26037	WASHER, RUBBER - TERMINAL LEAD (FRAME HOLE) . . . . .	19	23	12-48468	WASHER, SPACING - ARMATURE . . . . .	37	8
12-26037	WASHER,RUBBER - TERMINAL LEAD (FRAME HOLE) . . . . .	5	25	12-57383	WASHER, THRU . . . . .	33	8
12-26037	WASHER,RUBBER - TERMINAL LEAD (FRAME HOLE) . . . . .	21	14	12-57383	WASHER, THRUST - ARMATURE . . . . .	31	8
12-26042	WASHER, THRUST- ARMATURE . . . . .	5	17	12-57388	WASHER, INSULATING . . . . .	33	12
12-26048	WASHER, THRUST - CUSHION CUP . . . . .	5	13	12-57388	WASHER, INSULATING - INPUT STUD . . . . .	31	12
12-26048	WASHER, THRUST - CUSHION CUP . . . . .	13	14	12-75433	WASHER, THRU BOLT . . . . .	3	11
12-26048	WASHER, THRUST - CUSHION CUP . . . . .	17	13	12-75434	WASHER, THRUST- ARMATURE . . . . .	3	6
12-26048	WASHER, THRUST - CUSHION CUP . . . . .	19	13	13-21272	LOCKWASHER, HOUSING TERMINALS . . . . .	9	37
12-26052	WASHER, THRUST . . . . .	13	10	13-26035	LOCKWASHER, TERMINAL LEAD . . . . .	7	28
12-26052	WASHER, THRUST - CUSHION CUP . . . . .	5	9	13-26908	LOCKWASHER, THRU BOLT . . . . .	27	16
12-26052	WASHER, THRUST - CUSHION CUP . . . . .	17	9	13-26992	LOCKWASHER, INPUT STUD . . . . .	25	12
12-26052	WASHER, THRUST - CUSHION CUP . . . . .	19	9	13-26992	LOCKWASHER, INPUT STUD . . . . .	33	14
12-26056	WASHER, ANTI-DRIFT SPRING SLEEVE . . . . .	17	5	13-26992	LOCKWASHER, LEAD WIRE TO STARTER SCREW (SEE NOTE 2) . . . . .	7	--
12-26056	WASHER, ANTI-DRIFT SPRING SLEEVE . . . . .	19	5	13-26992	LOCKWASHER, TERMINAL LEAD . . . . .	7	28
12-26056	WASHER, PINION . . . . .	5	5	13-26992	LOCKWASHER, TERMINAL LEAD . . . . .	19	26
12-27110	WASHER, FASTENING NUT . . . . .	13	4	13-26992	LOCKWASHER, TERMINAL LEAD . . . . .	21	17
				13-26992	LOCKWASHER, THRU BOLT . . . . .	7	34
				13-26992	LOCKWASHER, THRU BOLT . . . . .	9	33
				13-26992	LOCKWASHER, THRU BOLT . . . . .	19	33
				13-26992	LOCKWASHER, THRU BOLT . . . . .	23	23
				13-26992	LOCKWASHER, THRU BOLT . . . . .	33	7
				13-26993	LOCKWASHER . . . . .	11	43

# PARTS INDEX

Part Number	Description	Pg.	Ref. No.	Part Number	Description	Pg.	Ref. No.
13-26993	LOCKWASHER, THRU BOLT	27	16	23-26051	SPACER, CUSHION . . . . .	13	13
13-26996	LOCKWASHER, THRU BOLT	37	3	23-26051	SPACER, CUSHION . . . . .	17	12
13-27111	WASHER, WAVE - TENSION	13	5	23-26051	SPACER, CUSHION . . . . .	19	12
13-27692	LOCKWASHER, INPUT AND GROUND TERMINAL . . . .	15	22	23-26055	SLEEVE, ANTI-DRIFT . . . . .	5	6
13-27692	LOCKWASHER, INPUT AND GROUND TERMINAL . . . .	15	22	23-26055	SLEEVE, ANTI-DRIFT SPRING . . . . .	17	6
13-27692	LOCKWASHER, INPUT TERMINAL . . . . .	17	21	23-26055	SLEEVE, ANTI-DRIFT SPRING . . . . .	19	6
13-27692	LOCKWASHER, THRU BOLT	15	32	23-27098	BUSHING, DRIVE END PLATE . . . . .	13	--
13-27692	LOCKWASHER, THRU BOLT	17	32	23-27112	SPACER, SCREW SHAFT . .	13	6
13-38019	LOCKWASHER, INPUT STUD	31	14	23-27115A	SLEEVE ASSEMBLY (WITH ANTI-DRIFT SPRING) . . . .	13	9
13-38019	LOCKWASHER, THRU BOLT	25	20	23-28595A	SLEEVE ASSEMBLY (WITH ANTI-DRIFT SPRING) . . . .	13	9
13-38019	LOCKWASHER, THRU BOLT	31	7	23-29259A	SLEEVE ASSEMBLY (WITH ANTI-DRIFT SPRING) . . . .	13	9
13-61789	LOCKWASHER, THRU BOLT	33	7	23-29460	BUSHING, DRIVE END PLATE . . . . .	13	--
13-68583	LOCKWASHER, THRU BOLT	33	7	23-29460	BUSHING, DRIVE END PLATE . . . . .	17	15
15-25638005	SHIM, PLATE TO ARMATURE . . . . .	9	20	23-29461	BUSHING, COMMUTATOR END PLATE . . . . .	9	--
15-25639010	SHIM, PLATE TO ARMATURE . . . . .	9	20	23-29461	BUSHING, COMMUTATOR END PLATE . . . . .	15	--
15-25640015	SHIM, PLATE TO ARMATURE . . . . .	9	20	23-29461	BUSHING, COMMUTATOR END PLATE . . . . .	17	25
15-27099	SHIM, DRIVE END PLATE TO ARMATURE . . . . .	17	16	23-31167	BUSHING, DRIVE END FRAME . . . . .	21	6
15-27099	SHIM, PLATE TO ARMATURE . . . . .	13	17	23-57387	BUSHING, INSULATING . . . .	33	11
15-38009005	SHIM, END PLATE TO ARMATURE (.005) . . . . .	25	7	23-57387	BUSHING, INSULATING - INPUT STUD . . . . .	31	11
15-38009010	SHIM, END PLATE TO ARMATURE (.010) . . . . .	25	7	23-68589	SPACER, THRU BOLT . . . . .	35	--
15-38009020	SHIM, END PLATE TO ARMATURE (.020) . . . . .	25	7	23-75321	SPACER, DRIVE ASSEMBLY	3	2
17-20032	DOWEL PIN, UPPER PLATE	11	41	24-25624	SPRING, ANTI-DRIFT . . . . .	9	5
17-26045	DOWEL PIN, DRIVE END . . .	5	18	24-25631	SPRING, RE-ENTRY . . . . .	9	12
17-26045	DOWEL PIN, DRIVE END FRAME LOCATING . . . . .	21	9	24-25633	SPRING, DRIVE . . . . .	9	14
17-26045	DOWEL PIN, DRIVE END PLATE . . . . .	19	18	24-25655	SPRING, BRUSH . . . . .	9	27
18-20209	COTTER PIN, FASTENING NUT . . . . .	17	1	24-25655	SPRING, BRUSH . . . . .	25	17
18-20209	COTTER PIN, FASTENING NUT . . . . .	19	1	24-25655	SPRING, STARTER BRUSH TENSION . . . . .	15	26
18-25621	COTTER PIN, FASTENING NUT . . . . .	9	2	24-26040	SPRING, STARTER BRUSH . .	7	32
18-25621	COTTER PIN, FASTENING NUT . . . . .	13	2	24-26057	SPRING, ANTI-DRIFT . . . . .	5	4
18-25621	COTTER PIN, FASTENING NUT . . . . .	5	1	24-26057	SPRING, ANTI-DRIFT . . . . .	17	4
23-25623	COLLAR, SPACING . . . . .	9	4	24-26057	SPRING, ANTI-DRIFT . . . . .	19	4
23-25626	SLEEVE, ANTI-DRIFT SPRING . . . . .	9	7	24-31170	SPRING, STARTER BRUSH . .	7	32
23-25637	BUSHING, DRIVE END PLATE . . . . .	9	19	24-31170	SPRING, STARTER BRUSH . .	19	29
23-26044	BUSHING, DRIVE END FRAME . . . . .	5	15	24-31170	SPRING, STARTER BRUSH . .	19	29
23-26044	BUSHING, DRIVE END FRAME . . . . .	19	15	24-31170	SPRING, STARTER BRUSH . .	21	20
23-26044	BUSHING, DRIVE END FRAME . . . . .	21	6	24-32407	SPRING, STARTER BRUSH . .	21	20
23-26051	SPACER, CUSHION . . . . .	5	12	24-32407	SPRING, TENSION - MOTOR DRIVE . . . . .	21	4
				24-32407	SPRING, TENSION - MOTOR DRIVE . . . . .	25	4
				24-32407	SPRING, TENSION - MOTOR DRIVE . . . . .	27	5
				24-39103	SPRING, BRUSH . . . . .	25	17
				24-75431	SPRING, ANTI DRIFT . . . . .	3	3

# PARTS INDEX

Part Number	Description	Pg.	Ref. No.	Part Number	Description	Pg.	Ref. No.
32-27106	TUBE, INSULATION - THRU BOLT .....	15	34	50-45822A1	STARTER MOTOR ASSEMBLY, COMPLETE ..	27	-
32-27694	TUBE, INSULATION - THRU BOLT .....	15	34	50-47216	STARTER MOTOR ASSEMBLY, COMPLETE ..	37	-
32-32663	TUBE, INSULATION - THRU BOLT .....	23	24	50-48643A1	STARTER MOTOR ASSEMBLY, COMPLETE ..	27	-
43-25627	GEAR, PINION - DRIVE .....	9	8	50-55601	STARTER MOTOR ASSEMBLY, COMPLETE ..	31	-
43-26054A1	PINION GEAR AND SCREW SHAFT ASSEMBLY (11 TOOTH) .....	5	7&8	50-57465A1	STARTER MOTOR ASSEMBLY, COMPLETE ..	27	-
43-27114	GEAR AND SCREW SHAFT KIT, PINION (11 TOOTH SET) .....	13	8	50-57867A1	STARTER MOTOR ASSEMBLY, COMPLETE ..	27	-
43-28536	GEAR AND SCREW SHAFT KIT, PINION(10 TOOTH SET) .....	13	8	50-58788	STARTER MOTOR ASSEMBLY, COMPLETE ..	29	-
43-28536	GEAR, PINION - DRIVE (10 TOOTH) .....	17	7	50-60315	STARTER MOTOR ASSEMBLY, COMPLETE ..	29	-
43-28536	GEAR, PINION - DRIVE (10 TOOTH) .....	19	7	50-64975	STARTER MOTOR ASSEMBLY, COMPLETE ..	29	-
43-29258	GEAR, PINION - DRIVE (9 TOOTH) .....	19	7	50-65436	STARTER MOTOR ASSEMBLY .....	33	-
43-29258A	GEAR AND SCREW SHAFT KIT, PINION (9 TOOTH SET) .....	13	8	50-66015	STARTER MOTOR ASSEMBLY .....	33	-
43-29263A1	PINION GEAR AND SCREW SHAFT ASSEMBLY (10 TOOTH) .....	5	7&8	50-67341	STARTER MOTOR ASSEMBLY .....	33	-
50-26461	STARTER MOTOR ASSEMBLY, COMPLETE ..	13	1	50-72467	STARTER MOTOR ASSEMBLY .....	33	-
50-27063	STARTER MOTOR ASSEMBLY, COMPLETE ..	13	1	50-73521	STARTER MOTOR ASSEMBLY .....	33	-
50-28317	STARTER MOTOR ASSEMBLY, COMPLETE ..	13	1	50-73521	STARTER MOTOR ASSEMBLY .....	33	-
50-29037	STARTER MOTOR ASSEMBLY, COMPLETE ..	13	1	50-73531	STARTER MOTOR ASSEMBLY, COMPLETE ..	3	-
50-29105	STARTER MOTOR ASSEMBLY, COMPLETE ..	5	-	50-76275	STARTER MOTOR ASSEMBLY, COMPLETE ..	3	-
50-30418	STARTER MOTOR ASSEMBLY, COMPLETE ..	13	1	50-77141	STARTER MOTOR ASSEMBLY .....	33	-
50-30575	STARTER MOTOR ASSEMBLY, COMPLETE ..	17	-	50-78011	STARTER MOTOR ASSEMBLY, COMPLETE ..	3	-
50-30829	STARTER MOTOR ASSEMBLY, COMPLETE ..	21	-	50-79472	STARTER MOTOR ASSEMBLY .....	33	-
50-30842	STARTER MOTOR ASSEMBLY, COMPLETE ..	19	-	50-86976	STARTER MOTOR ASSEMBLY .....	33	-
50-30955	STARTER MOTOR ASSEMBLY, COMPLETE ..	19	-	53-25634	RING, RETAINING- SPRING	9	16
50-31976	STARTER MOTOR ASSEMBLY, COMPLETE ..	21	-	53-25635	RING, SPRING .....	9	17
50-32403	STARTER MOTOR ASSEMBLY, COMPLETE ..	5	-	10-57381	BOLT, THRU - PLATE TO END CAP .....	31	6
50-32411	STARTER MOTOR ASSEMBLY, COMPLETE ..	5	-	392-2514	SPRING SET, BRUSH (2 SPRINGS PER SET) .....	29	8
50-37274A1	STARTER MOTOR ASSEMBLY, COMPLETE ..	27	-	392-2514	SPRING SET, BRUSH(2 SPRINGS PER SET) .....	27	12
50-37345A1	STARTER MOTOR ASSEMBLY, COMP. ....	25	-	392-2515	END CAP ASSEMBLY, COMMUTATOR .....	27	14
50-38890A1	STARTER MOTOR ASSEMBLY, COMP. ....	25	-	392-2515	END CAP ASSEMBLY, COMMUTATOR .....	29	10
				392-2516	BUSHING, COMMUTATOR END CAP .....	27	--
				392-2518	BUSHING, DRIVE END PLATE .....	27	7
				392-2518	BUSHING, DRIVE END PLATE .....	29	3
				392-2519	BRUSH PLATE AND HOLDER ASSEMBLY .....	27	13

# PARTS INDEX

Part Number	Description	Pg.	Ref. No.	Part Number	Description	Pg.	Ref. No.
392-2519	BRUSH PLATE AND HOLDER ASSEMBLY . . . .	29	9	392-4865	FRAME AND FIELD ASSEMBLY . . . . .	29	6
392-2520	FRAME AND FIELD ASSEMBLY . . . . .	27	10	392-4866	BRUSH AND TERMINAL SET	29	7
392-2521	BRUSH AND TERMINAL SET	27	11	392-4867	BOLT, THRU - END CAP TO END PLATE . . . . .	29	11
392-2521	BRUSH AND TERMINAL SET	29	7	392-5053	MOTOR DRIVE . . . . .	29	1
392-2522	ARMATURE . . . . .	27	8	392-5150	ARMATURE . . . . .	29	4
392-2523	PACKAGE, ARMATURE THRUST WASHER . . . . .	27	9				
392-2523	PACKAGE, ARMATURE THRUST WASHER . . . . .	29	5				
392-2523	PACKAGE, ARMATURE THRUST WASHER . . . . .	29	5				
392-2524	BOLT, THRU - END CAP TO END PLATE (1/4 - 20) . . .	27	17				
392-3169	FRAME AND FIELD ASSEMBLY . . . . .	27	10				
392-3170	PLATE ASSEMBLY, DRIVE END . . . . .	27	6				
392-3170	PLATE ASSEMBLY, DRIVE END . . . . .	29	2				
392-3170A1	PLATE ASSEMBLY, DRIVE END . . . . .	27	6				
392-3171	BOLT, THRU - END CAP TO END PLATE (1/4 - 28) . . .	29	11				
392-3171	BOLT, THRU - END CAP TO END PLATE (1/4 - 28) . . .	27	17				
392-3406	ARMATURE . . . . .	27	8				
392-3407	FRAME AND FIELD ASSEMBLY . . . . .	27	10				
392-3407	FRAME AND FIELD ASSEMBLY . . . . .	29	6				
392-3408	END CAP ASSEMBLY, COMMUTATOR . . . . .	27	14				
392-3409	PLATE ASSEMBLY, DRIVE END . . . . .	27	6				
392-3410	BOLT, THRU - END CAP TO END PLATE (5/16 - 13) . . .	27	17				
392-3782	FRAME AND FIELD ASSEMBLY . . . . .	27	10				
392-3782	FRAME AND FIELD ASSEMBLY . . . . .	29	6				
392-3906	ARMATURE . . . . .	27	8				
392-4260	END CAP ASSEMBLY, COMMUTATOR . . . . .	27	14				
392-4260	END CAP ASSEMBLY, COMMUTATOR . . . . .	29	10				
392-4261	PLATE ASSEMBLY, DRIVE END . . . . .	27	6				
392-4261	PLATE ASSEMBLY, DRIVE END . . . . .	29	2				
392-4262	BOLT, THRU - END CAP TO END PLATE . . . . .	29	11				
392-4262	BOLT, THRU - END CAP TO END PLATE (1/4 - 28) . . .	27	17				
392-4285	ARMATURE . . . . .	27	8				
392-4529	ARMATURE . . . . .	29	4				
392-4530	MOTOR DRIVE . . . . .	29	1				
392-4863	ARMATURE . . . . .	29	4				