



PARTS CATALOG

MERC "THRUSTER"

SERIAL NUMBER

THRUSTER 4208828 THRU 5147771

TABLE OF CONTENTS:

BASE ASSEMBLY (FOOT PEDAL MODEL AND DECK MODEL)	2
CLAMP AND SWIVEL BRACKET (TRANSOM MODEL)	20
DRIVE SHAFT AND CONTROL HOUSING (DECK AND TRANSOM MODEL)	16
DRIVE SHAFT AND CONTROL HOUSING (FOOT PEDAL MODEL)	12
ELECTRIC MOTOR AND GEAR HOUSING (ALL MODELS)	4
LIFT ARM AND PIVOT SHAFT (FOOT PEDAL AND DECK MODEL)	14
MISCELLANEOUS PARTS/ACCESSORIES	1
PARTS INDEX	22
WIRING HARNESS AND FOOT PLATE (FOOT PEDAL MODEL)	8

NOTE: Indented description indicate that these parts are included in preceeding assembly.

AR = As Required

NSS = Not Sold Separate

OPT = Optional

NS = Not Shown

NOTE: Following symbols are located in **SYM** column.

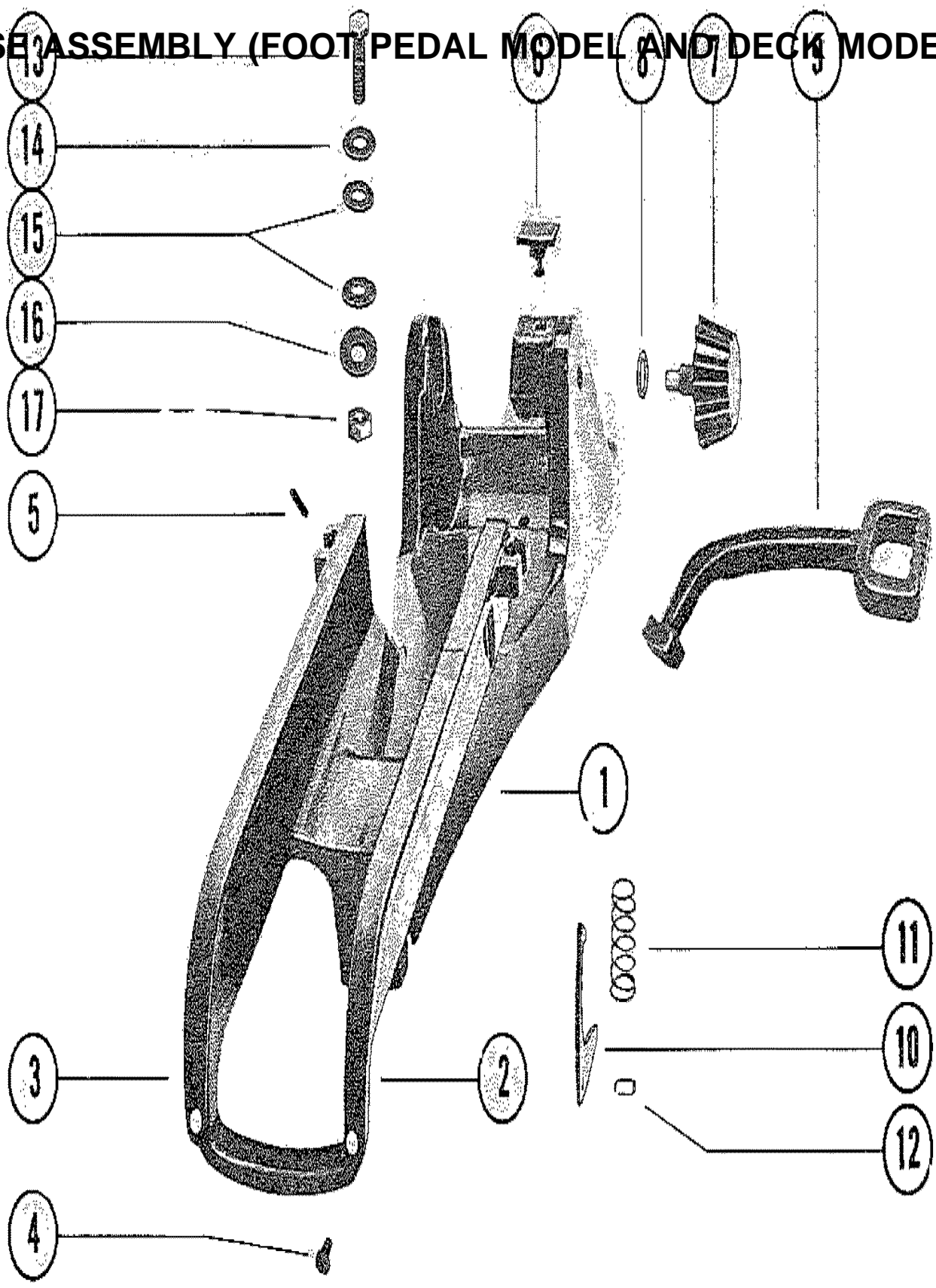
● = COMPONENT OF A-[27-72863A1] GASKET
SET

THESE PARTS BOOKS/FICHE CARD ARE COPYRIGHTED AND MAY NOT BE DISTRIBUTED OR REPRODUCED IN ANY OTHER FORMAT BY ANYONE OTHER THAN MERCURY MARINE WITHOUT THE PRIOR WRITTEN CONSENT OF MERCURY MARINE.

MISCELLANEOUS PARTS/ACCESSORIES

REF. NO.	PART NO.	SYM.	QTY.	DESCRIPTION
-	A-37-73470A76		0	DECAL SET (FOOT PEDAL MODEL)
-	A-37-76486A77		0	DECAL SET (DECK MODEL AND TRANSOM MODEL)

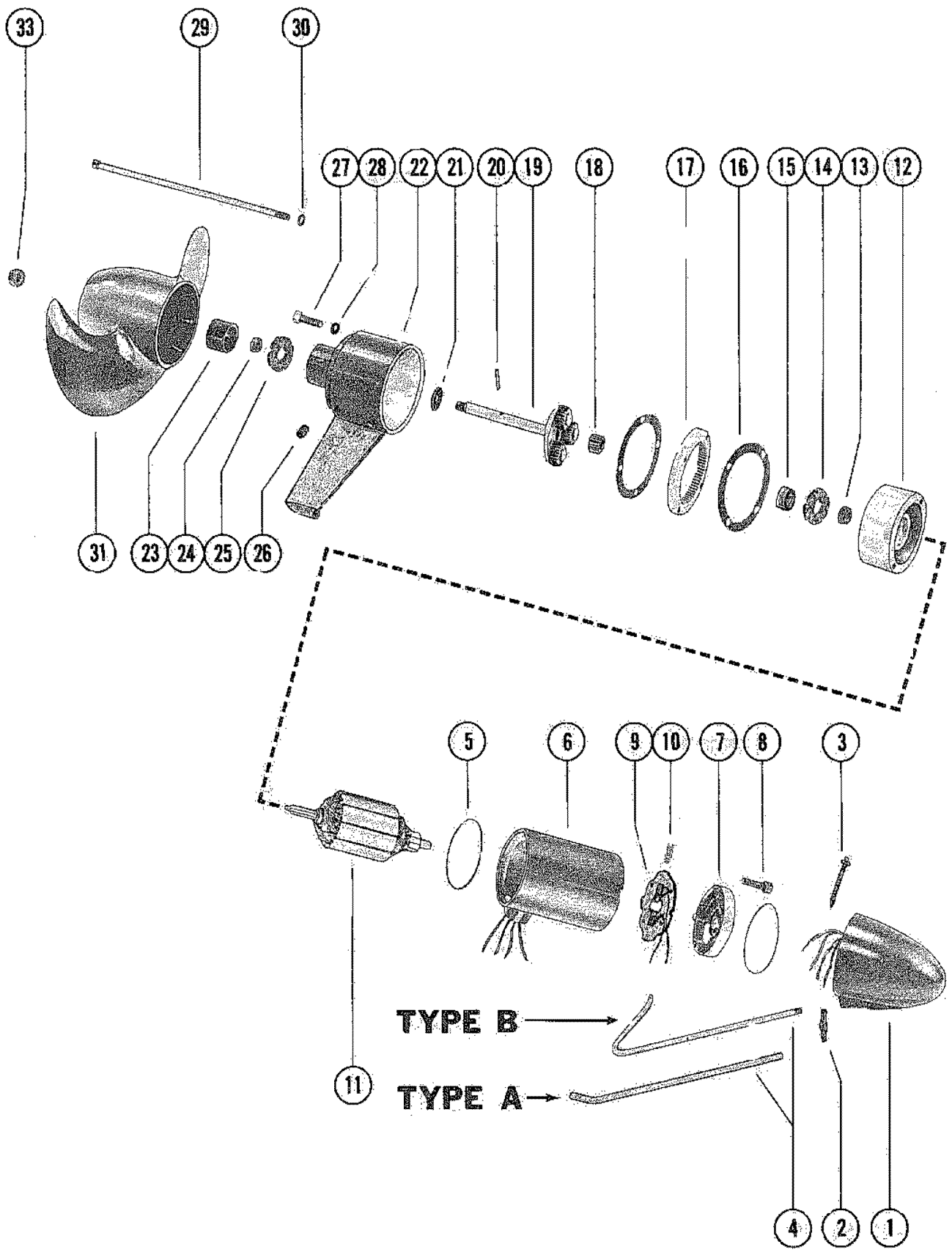
BASE ASSEMBLY (FOOT PEDAL MODEL AND DECK MODEL)



BASE ASSEMBLY (FOOT PEDAL MODEL AND DECK MODEL)

REF. NO.	PART NO.	SYM.	QTY.	DESCRIPTION
1	72079A2		1	BASE ASSEMBLY
2	72402		1	BUMPER, BASE - PORT
3	74413		1	BUMPER, BASE - STARBOARD
4	10-47828		2	SCREW, BUMPER TO BASE
5	17-27055		4	ROLL PIN, BASE
6	25-72421		1	GROMMET, BASE
7	72254		2	KNOB, PIVOT
8	13-39227		2	WAVE WASHER, PIVOT KNOB
9	72544		1	STRAP, HOLD-DOWN
10	72147		1	HOOK
11	24-72256		1	SPRING, COMPRESSION - HOOK
12	17-72250		1	ROLL PIN, HOOK TO BASE
13	10-31471		1	SCREW, BASE TO BOAT (3")
	10-26889		2	SCREW, BASE TO BOAT (2 1/4")
14	12-29245		3	WASHER, BASE SCREW (1/2" O.D.)
15	12-57428		6	WASHER, BASE SCREW (RUBBER)
16	12-57427		3	WASHER, BASE SCREW (1" O.D.)
17	11-35045		3	NUT, BASE SCREW

ELECTRIC MOTOR AND GEAR HOUSING (ALL MODELS)



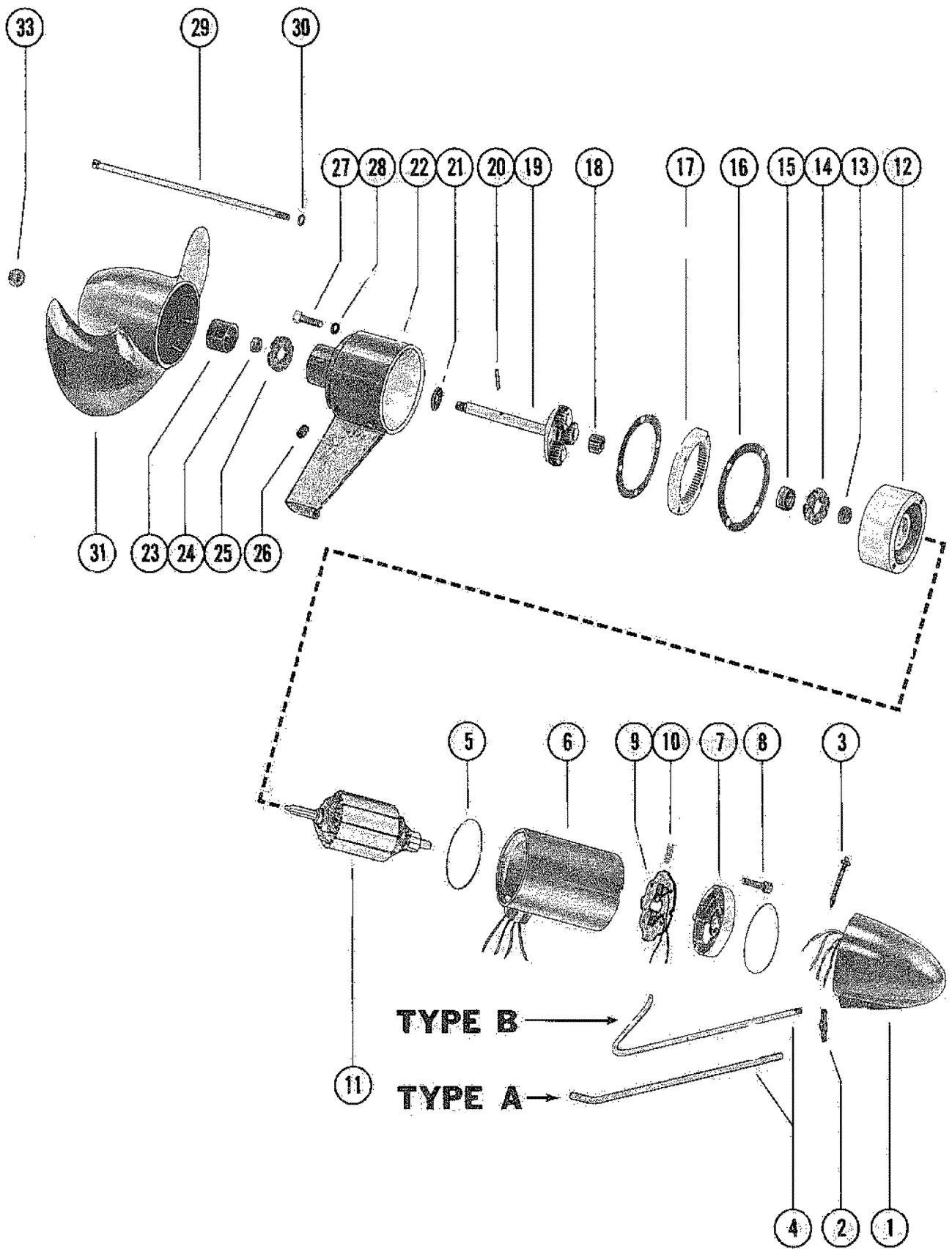
ELECTRIC MOTOR AND GEAR HOUSING (ALL MODELS)

REF. NO.	PART NO.	SYM.	QTY.	DESCRIPTION
1	72081A1		1	NOSE CONE ASS'Y (FOOT PEDAL MODEL) SERIAL 00000000-04848238
	72081A4		1	NOSE CONE ASS'Y(FOOT PEDAL MODEL) SERIAL 04848239-09999999
	72081A2		1	NOSE CONE ASS'Y (DECK MODEL AND TRANSOM MODEL)
2	57908--2		4	SLEEVE, NOSE CONE LEADS
3	56762		1	STA-STRAP, NOSE CONE LEADS
4	74885		1	SKEG (TYPE A)
	72186		1	SKEG (TYPE B)
5	25-59712	●	2	"O" RING, NOSE CONE
6	72703A2		1	ELECTRIC MOTOR ASSEMBLY (FOOT PEDAL MODEL) SERIAL 00000000-04848238
	78796A3		1	ELECTRIC MOTOR ASSEMBLY (FOOT PEDAL MODEL) SERIAL 04848239-09999999
7	72184A1		1	RETAINER AND BEARING ASSEMBLY, NOSE CONE FOOT PEDAL MODEL 3/8" DIAMETER ARMATURE
8	10-79168		4	SCREW, RETAINER TO ELECTRIC MOTOR FOOT PEDAL MODEL 3/8" DIAMETER ARMATURE
9	75532A1		1	BRUSH CARD ASSEMBLY FOOT PEDAL MODEL 3/8" DIAMETER ARMATURE
10	24-75533		2	SPRING, BRUSH FOOT PEDAL MODEL 3/8" DIAMETER ARMATURE
11	72704		1	ARMATURE FOOT PEDAL MODEL 3/8" DIAMETER ARMATURE
7	77110A1		1	RETAINER AND BEARING ASSEMBLY FOOT PEDAL MODEL 5/16" DIAMETER ARMATURE
8	10-79168		4	SCREW, RETAINER TO ELECTRIC MOTOR FOOT PEDAL MODEL 5/16" DIAMETER ARMATURE
9	75532A1		1	BRUSH CARD ASSEMBLY FOOT PEDAL MODEL 5/16" DIAMETER ARMATURE
10	24-75533		2	SPRING, BRUSH FOOT PEDAL MODEL 5/16" DIAMETER ARMATURE
11	77112		1	ARMATURE FOOT PEDAL MODEL 5/16" DIAMETER ARMATURE
6	76513A2		1	ELECTRIC MOTOR ASSEMBLY DECK MODEL AND TRANSOM MODEL
7	72184A1		1	RETAINER AND BEARING ASSEMBLY DECK MODEL AND TRANSOM MODEL
8	10-79168		4	SCREW, RETAINER TO ELECTRIC MOTOR DECK MODEL AND TRANSOM MODEL
9	75532A1		2	BRUSH CARD ASSEMBLY DECK MODEL AND TRANSOM MODEL
10	24-75533		1	SPRING, BRUSH DECK MODEL AND TRANSOM MODEL
11	72704		1	ARMATURE DECK MODEL AND TRANSOM MODEL
12	72182A1		1	RETAINER ASSEMBLY, GEAR HOUSING
13	23-72482		1	BUSHING, RETAINER
14	72475		1	RETAINER, BUSHING

● = COMPONENT OF A-[27-72863A1] GASKET SET

CONTINUED ON NEXT PAGE ➡

ELECTRIC MOTOR AND GEAR HOUSING (ALL MODELS)

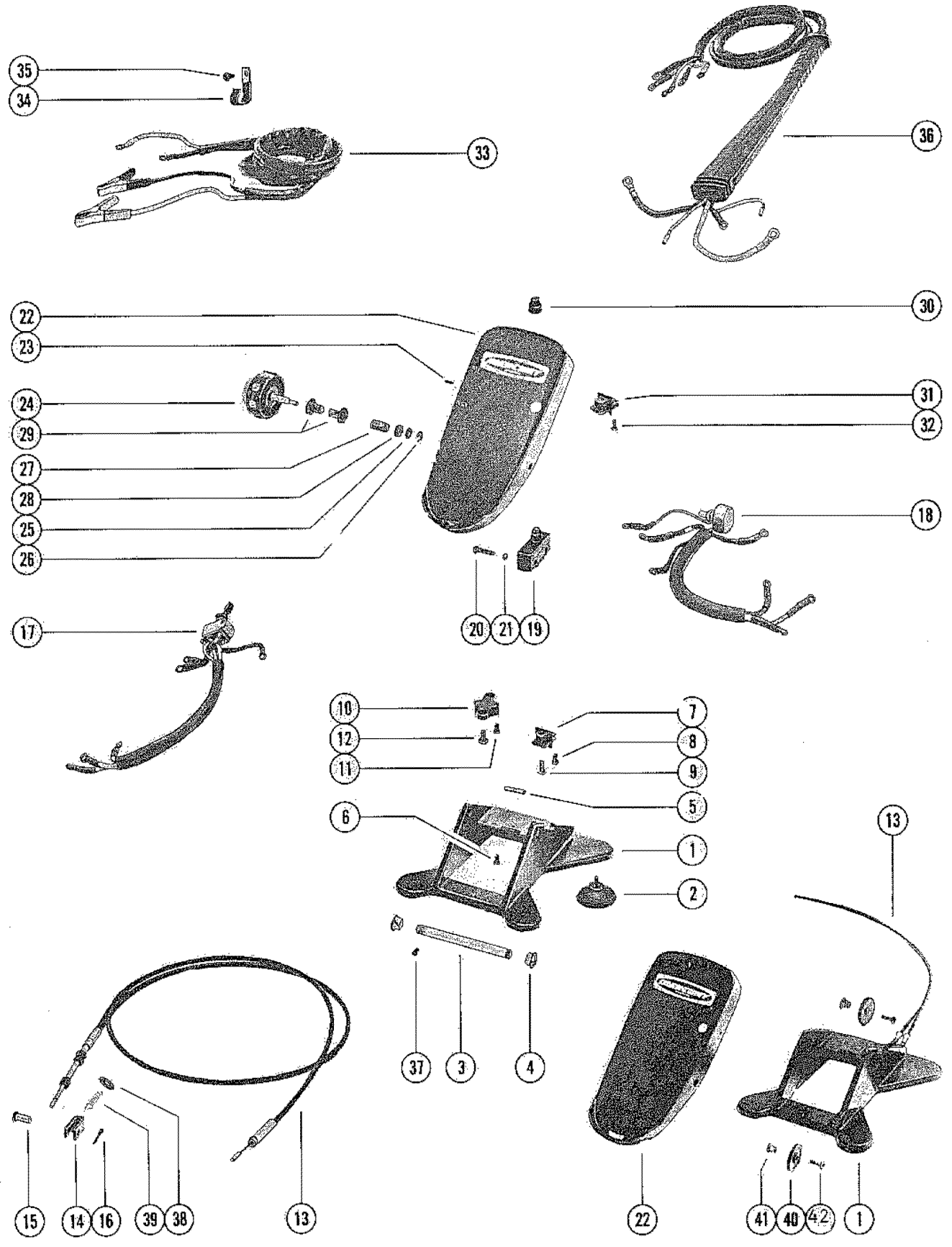


ELECTRIC MOTOR AND GEAR HOUSING (ALL MODELS)

REF. NO.	PART NO.	SYM.	QTY.	DESCRIPTION
15	26-72461		1	SEAL, RETAINER
16	27-85515	●	2	GASKET, RETAINER TO GEAR HOUSING
17	43-72859		1	RING GEAR
18	43-72385		1	SUN GEAR
19	72390A1		1	GEAR AND PROPELLER SHAFT ASSEMBLY
20	17-70733		1	PIN, PROPELLER DRIVE
21	12-58790		1	WASHER, PROPELLER SHAFT
22	1649-5848A1		1	GEAR HOUSING ASSEMBLY
23	23-72173A1		1	SLEEVE ASSEMBLY, GEAR HOUSING
24	23-72482		1	BUSHING, GEAR HOUSING
25	72475		1	RETAINER, GEAR HOUSING BUSHING
26	22-52644		1	PLUG, PIPE - GEAR HOUSING (DRAIN)
27	10-69010		2	SCREW, RETAINER TO GEAR HOUSING (1")
28	12-29070	●	2	WASHER, SEALING - RETAINER SCREW
29	10-72378		2	SCREW, GEAR HOUSING TO NOSE COVER (7")
30	12-29070	●	2	WASHER, SEALING - GEAR HOUSING SCREW
31	48-72426		1	PROPELLER (FOOT PEDAL MODEL)
	48-77970		1	PROPELLER (DECK MODEL AND TRAMSOM MODEL)
33	11-26062		1	NUT, PROPELLER
-	A-27-72863A1		0	GASKET SET

● = COMPONENT OF A-[27-72863A1] GASKET SET

WIRING HARNESS AND FOOT PLATE (FOOT PEDAL MODEL)

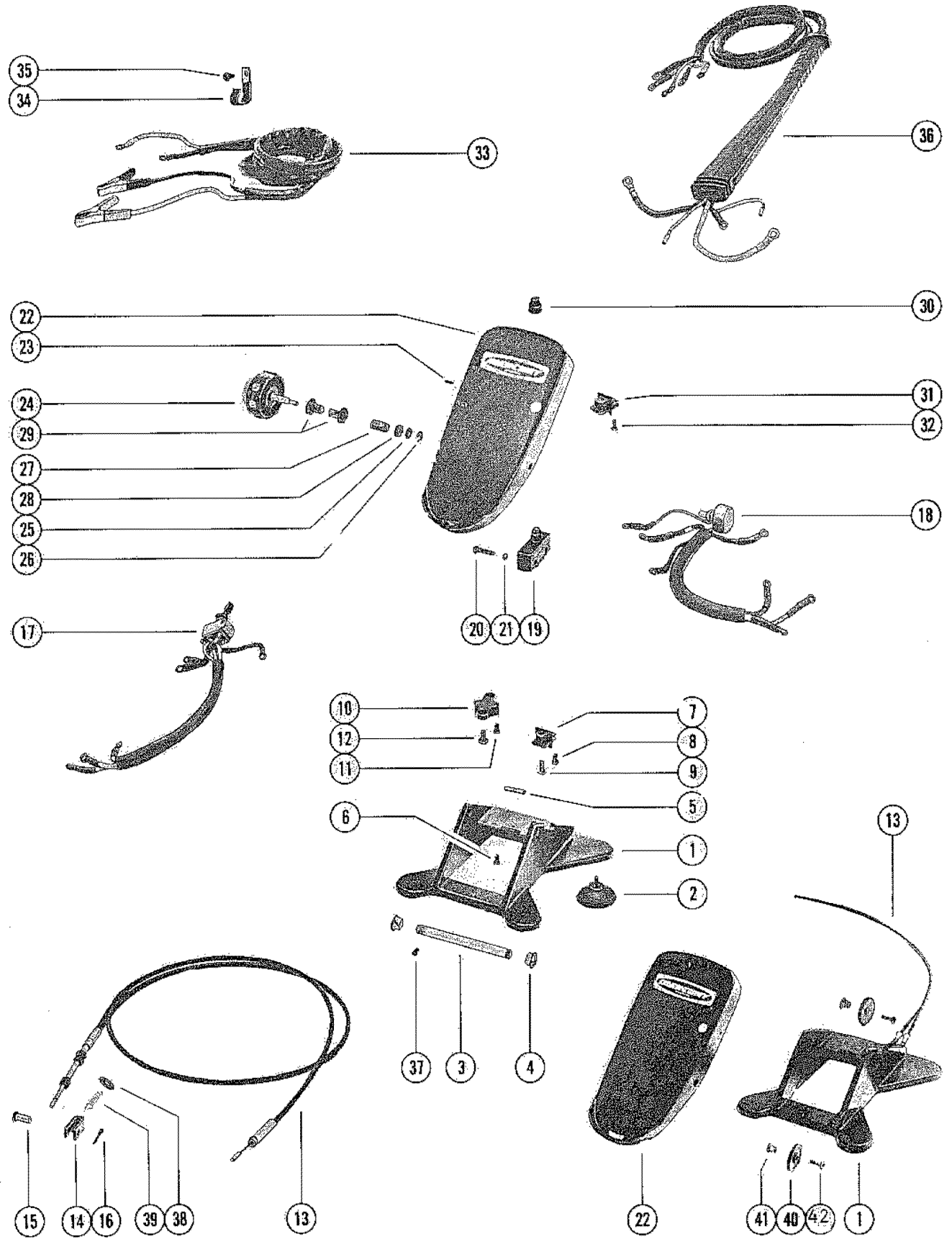


WIRING HARNESS AND FOOT PLATE (FOOT PEDAL MODEL)

REF. NO.	PART NO.	SYM.	QTY.	DESCRIPTION
1	72121		1	BASE, FOOT CONTROL SERIAL 00000000-04850312
	78422		1	BASE, FOOT CONTROL SERIAL 04850313-09999999
2	72474		4	SUCTION CUPS, FOOT CONTROL BASE
3	72423		1	SHAFT, PIVOT
4	23-29638		2	BUSHING, NYLON - PIVOT SHAFT
5	72179		2	RETAINER, WIRING HARNESS
6	10-20597		2	SCREW, RETAINER TO FOOT CONTROL BASE (3/8")
7	86-66986		1	TERMINAL BLOCK, FOOT CONTROL BASE
8	10-73287		1	SCREW, HARNESS LEADS ATTACHING (3/8")
9	10-37370		3	SCREW, TERMINAL BLOCK ATTACHING (1/2")
10	86-67460		2	TERMINAL BLOCK, FOOT CONTROL BASE
11	10-73287		4	SCREW, HARNESS LEADS ATTACHING (3/8")
12	10-37655		4	SCREW TERMINAL BLOCK TO FOOT CONTROL BASE (1/2")
13	72420A1		1	CONTROL CABLE ASSEMBLY SERIAL 00000000-04850312
14	74860		1	TRUNNION, CONTROL CABLE SERIAL 00000000-04850312
15	17-74859		1	CLEVIS PIN, TRUNNION TO CONTROL CABLE SERIAL 00000000-04850312
16	18-29623		1	COTTER PIN, CLEVIS SERIAL 00000000-04850312
13	78418		1	CONTROL CABLE (SEE NOTE) SERIAL 04850313-09999999
17	87-72438A1		1	SWITCH AND HARNESS ASSEMBLY
18	82-76626A1		1	POTENTIOMETER AND HARNESS ASSEMBLY SERIAL 00000000-04850312
	82-76626A3		1	POTENTIOMETER AND HARNESS ASSEMBLY SERIAL 04850313-09999999
19	87-72439		1	SWITCH, PUSH BUTTON
20	10-77478		2	SCREW, PUSH BUTTON SWITCH TO FOOT PLATE
21	13-21423		2	LOCKWASHER, PUSH BUTTON SWITCH SCREW
22	72122A1		1	FOOT PLATE ASSEMBLY SERIAL 00000000-04850312
	78421A3		1	FOOT PLATE ASSEMBLY SERIAL 04850313-09999999
23	17-72250		1	ROLL PIN, FOOT PLATE
24	72425A1		1	INDICATOR ASSEMBLY
25	12-35950		1	WASHER, INDICATOR
26	53-27290		1	RETAINING RING, INDICATOR
27	32-72545		1	TUBE, RUBBER, - INDICATOR
28	13-34632		1	WAVE WASHER, COUPLING LATE MODELS
29	23-60762		2	BUSHING, NYLON - INDICATOR
30	72473		1	CAP, RUBBER - PUSH BUTTON SWITCH
31	86-66986		1	TERMINAL BLOCK, FOOT PLATE
32	10-37655		2	SCREW HARNESS LEADS/TERMINAL BLOCK ATTACHING (1/2")
33	84-72535A1		1	BATTERY CABLE ASSEMBLY
34	54-63153		1	"J" CLIP, BATTERY CABLE
35	10-73287		1	SCREW, "J" CLIP ATTACHING

CONTINUED ON NEXT PAGE ➡

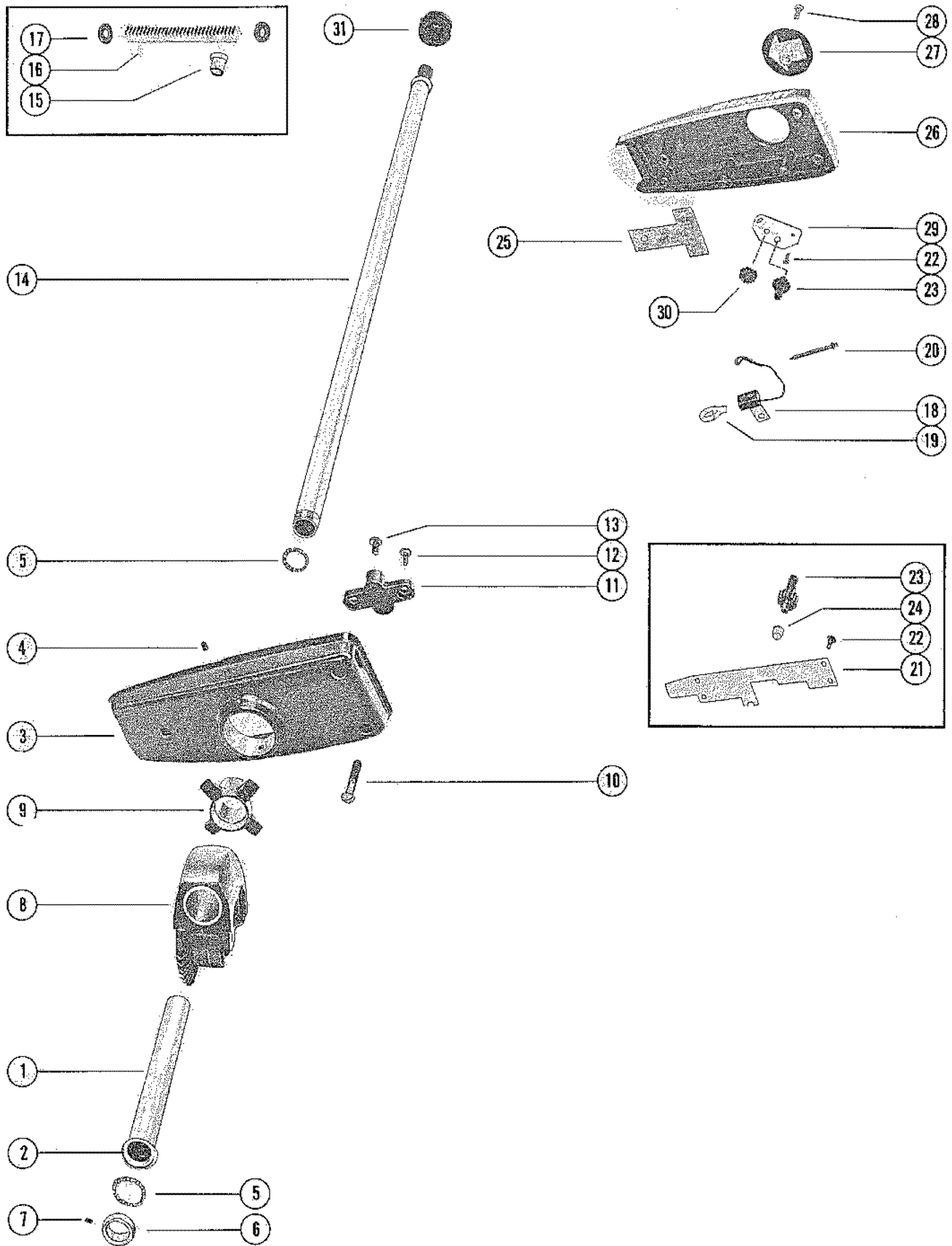
WIRING HARNESS AND FOOT PLATE (FOOT PEDAL MODEL)



WIRING HARNESS AND FOOT PLATE (FOOT PEDAL MODEL)

REF. NO.	PART NO.	SYM.	QTY.	DESCRIPTION
36	84-72551A1		1	WIRING HARNESS AND HANDLE ASSEMBLY SERIAL 00000000-04850312
	84-79141A2		1	WIRING HARNESS AND HANDLE ASSEMBLY SERIAL 04850313-09999999
37	10-22928		1	SCREW, SET - PIVOT SHAFT TO FOOT PLATE
38	12-72761		1	WASHER, TRUNNION SPRING SERIAL 00000000-04850312
39	24-76913		1	SPRING, TRUNNION SERIAL 00000000-04850312
40	78416		2	PULLEY, CONTROL CABLE SERIAL 04850313-09999999
41	78417		2	PIVOT, PULLEY SERIAL 04850313-09999999
42	10-37370		2	SCREW, PIVOT PULLEY SERIAL 04850313-09999999

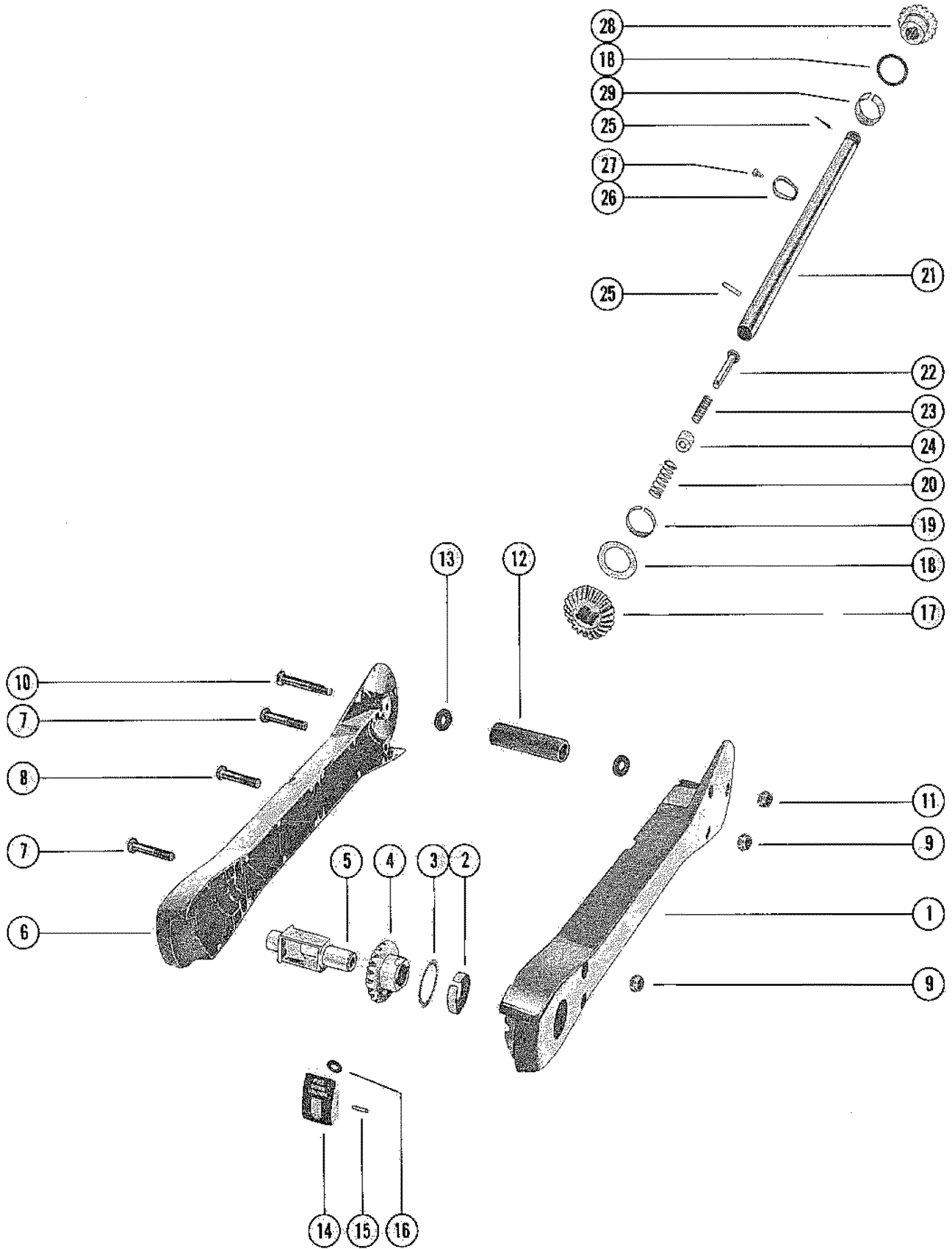
DRIVE SHAFT AND CONTROL HOUSING (FOOT PEDAL MODEL)



DRIVE SHAFT AND CONTROL HOUSING (FOOT PEDAL MODEL)

REF. NO.	PART NO.	SYM.	QTY.	DESCRIPTION
1	72260A1		1	SHAFT ASSEMBLY, UPPER
2	72252		2	RETAINER, UPPER SHAFT
3	72125		1	HOUSING, CONTROL SERIAL 00000000-04850312
	78420		1	HOUSING, CONTROL SERIAL 04850313-09999999
4	10-72398		2	SET SCREW, CONTROL HOUSING TO UPPER SHAFT
5	30-72388		2	BEARING, UPPER SHAFT
6	72172		1	RETAINER, LOWER SHAFT
7	10-22928		1	SET SCREW, RETAINER TO LOWER SHAFT
8	72056A1		1	HOUSING ASSEMBLY, COLUMN
9	72263		1	HANDLE, CLAMPING-COLUMN HOUSING
10	10-68918		3	SCREW, CONTROL HOUSING TO COVER (1")
11	86-67460		1	TERMINAL BLOCK, CONTROL HOUSING
12	10-62568		1	SCREW TERMINAL BLOCK TO CONTROL HOUSING (3/8")
13	10-73287		2	SCREW HARNESS LEADS TO TERMINAL BLOCK (3/8")
14	72261A1		1	SHAFT ASSWEMBLY, LOWER SERIAL 00000000-04850312
	78559A1		1	SHAFT ASSEMBLY, LOWER SERIAL 04850313-09999999
15	23-72258		1	SLEEVE. LOWER SHAFT (TOP) SERIAL 00000000-04850312
16	72251		1	RACK, GEAR SERIAL 00000000-04850312
17	12-76912		2	WASHERM GEAR RACK SERIAL 00000000-04850312
18	72517		1	HOLDER, LIGHT BULB
19	88-72729		1	LIGHT BULB
20	56762		1	STA-STRAP, WIRES
21	72180		1	COVER, GEAR RACK SERIAL 00000000-04850312
22	10-20597		4	SCREW, COVER TO CONTROL HOUSING (3/8")
23	43-72994		1	GEAR, INDICATOR SERIAL 00000000-04850312
	43-78413		1	GEAR, INDICATOR SERIAL 04850313-09999999
24	23-26856		1	BUSHING, NYLON-INDICATOR GEAR SERIAL 00000000-04850312
25	85-72661		1	INSULATOR, CONTROL
26	72124		1	COVERM CONTROL HOUSING
27	73636		1	INDICATOR, DIRECTIONAL
28	10-37370		1	SCREW, DIRECTIONAL INDICATOR TO GEAR (5/8")
29	78414		1	RETAINER, IDLER GEAR SERIAL 04850313-09999999
30	43-78415		1	IDLER GEAR SERIAL 04850313-09999999
31	78419		1	DRUM SERIAL 04850313-09999999

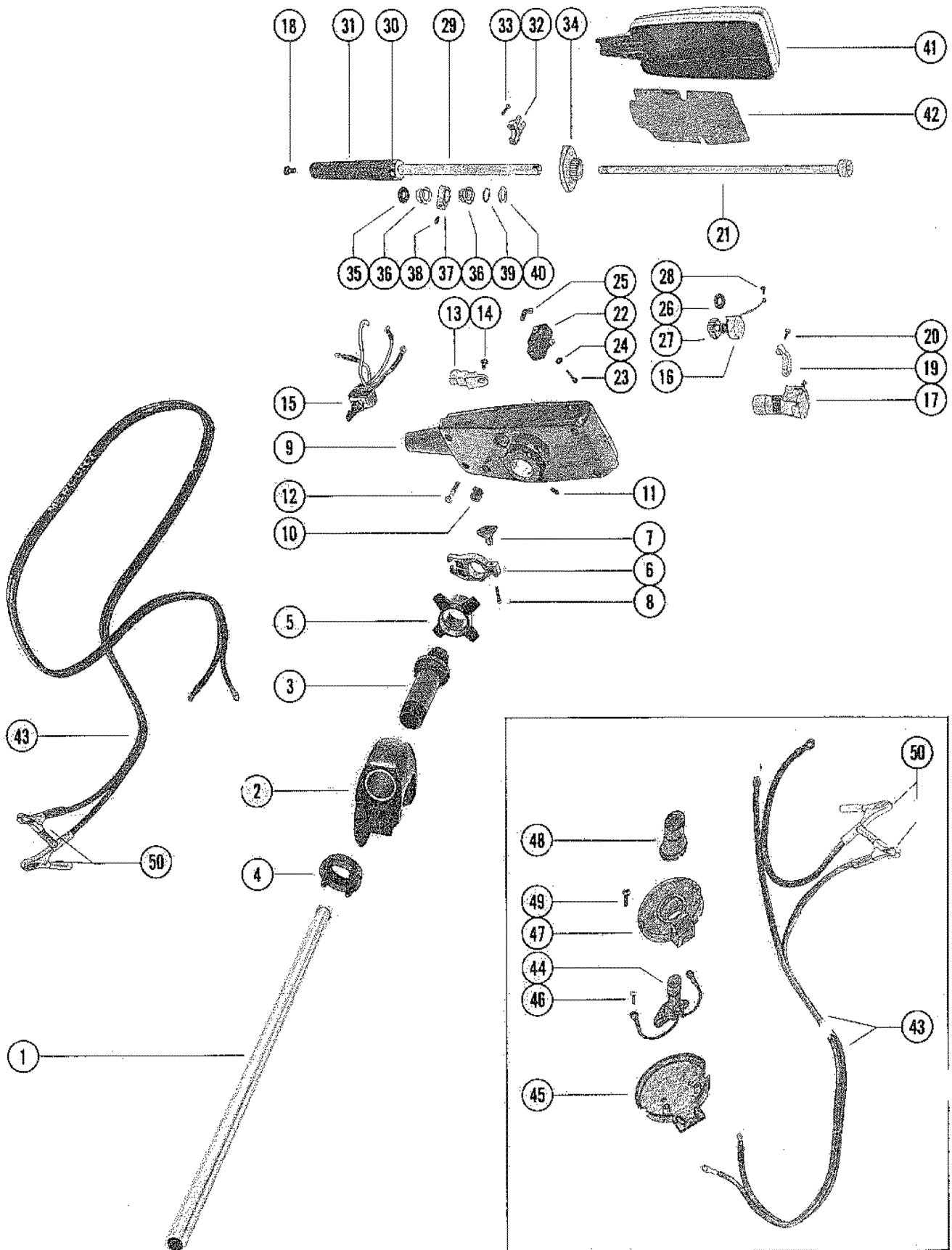
LIFT ARM AND PIVOT SHAFT (FOOT PEDAL AND DECK MODEL)



LIFT ARM AND PIVOT SHAFT (FOOT PEDAL AND DECK MODEL)

REF. NO.	PART NO.	SYM.	QTY.	DESCRIPTION
1	72055A2		1	LIFT ARM ASSEMBLY, PORT
2	23-72387		1	BUSHING, LIFT ARM
3	12-72389		1	WASHER, MILTER MITER GEAR
4	43-72860		1	MITER GEAR, PIVOT SHAFT
5	72153		1	SHAFT, PIVOT
6	72054		1	LIFT ARM, STARBOARD
7	10-77951		2	SCREW, LIFT ARM CLAMPING (2 1/4")
8	10-77950		4	SCREW, LIFT ARM CLAMPING (2 3/4")
9	11-45592		4	NUT, LIFT ARM CLAMPING SCREW
10	10-75334		1	SCREW, COLUMN HOUSING TO LIFT ARM (3")
11	11-34932		1	NUT, COLUMN HOUSING SCREW
12	23-72253		1	BUSHING, COLUMN HOUSING
13	12-72371		2	WASHER, COLUMN HOUSING BUSHING
14	72155		1	LEVER, RELEASE
15	17-72255		1	ROLL PIN, RELEASE LEVER
16	12-30644		1	WASHER, RELEASE LEVER PIN
17	43-72860		1	MITER GEAR, DRIVE TUBE
18	12-72389		2	WASHER, THRUST-MITER GEAR AND LEVEL GEAR
19	23-72387		1	BUSHING, MITER GEAR
20	24-72257		1	SPRING, COMPRESSION
21	72154A2		1	DRIVE TUBE ASSEMBLY
22	17-72149		1	PIN, RELEASE LEVER
23	24-65553		1	SPRING, RELEASE LEVER PIN
24	23-72146		1	BUSHING, RELEASE LEVER PIN
25	17-72148		2	PIN, MITER GEAR AND BEVEL GEAR TO DRIVE TUBE
26	72150		1	LATCH, DRIVE TUBE
27	10-37655		1	SCREW, LATCH TO DRIVE TUBE
28	43-72861		1	BEVEL GEAR, DRIVE TUBE
29	23-72386		1	BUSHING, BEVEL GEAR

DRIVE SHAFT AND CONTROL HOUSING (DECK AND TRANSOM MODEL)

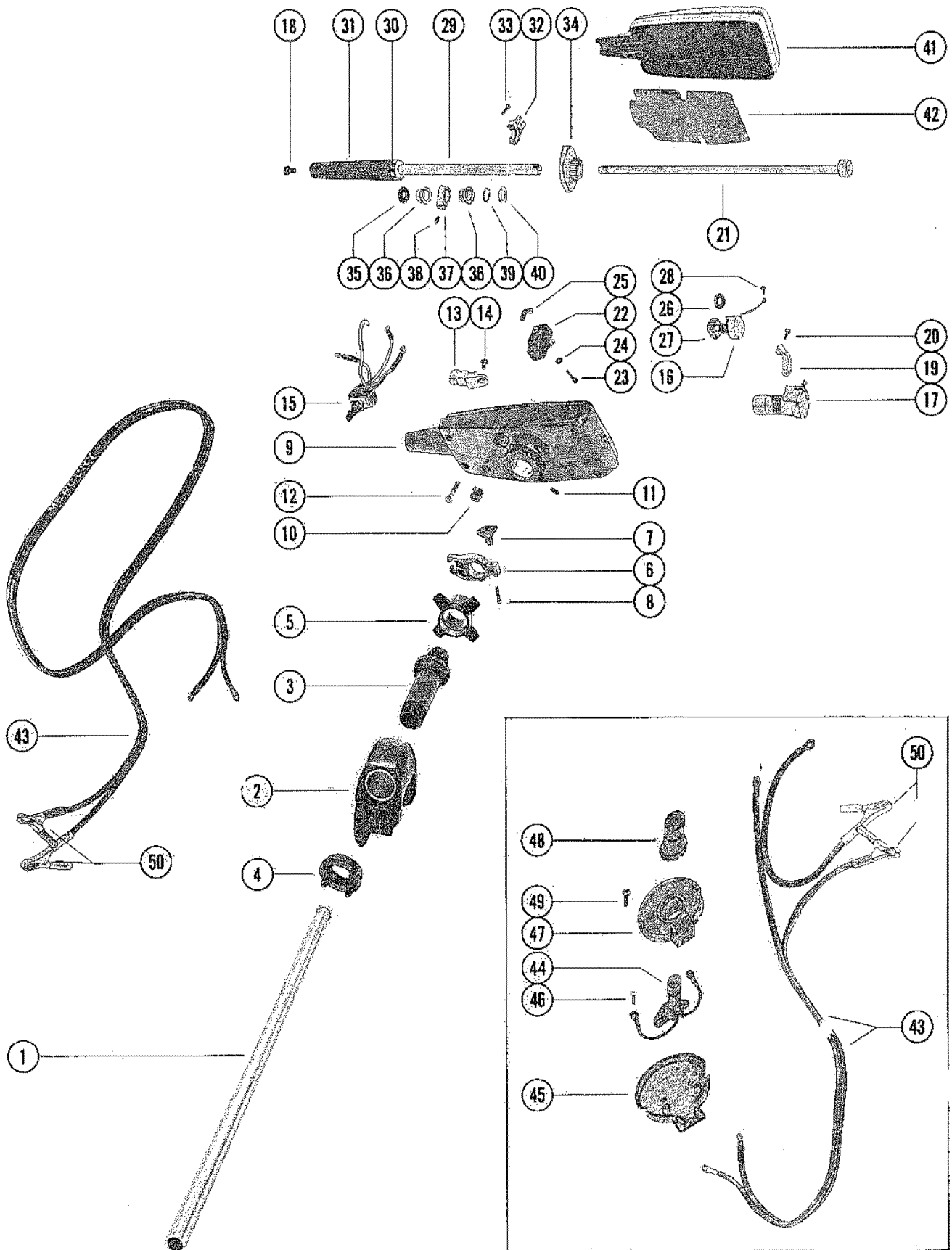


DRIVE SHAFT AND CONTROL HOUSING (DECK AND TRANSOM MODEL)

REF. NO.	PART NO.	SYM.	QTY.	DESCRIPTION
1	45-76487		1	DRIVE SHAFT
2	76460		1	HOUSING, COLUMN DECK MODEL
3	76459		1	TUBE, SWIVEL DECK MODEL
4	76937		1	RETAINER, SWIVEL TUBE DECK MODEL
5	76938		1	KNOB, ADJUSTMENT -SWIVEL TUBE DECK MODEL
6	54-76936A1		1	CLAMP ASSEMBLY
7	76935		1	KNOB, CLAMP
8	10-32228		1	SCREW, CLAMP KNOB (5/8")
9	76492		1	HOUSING, CONTROL
10	25-76468		1	GROMMET, CONTROL HOUSING
11	10-35057		2	SET SCREW, CONTROL HOUSING TO DRIVE SHAFT
12	10-68918		4	SCREW, COVER ATTACHING
13	86-76477		1	TERMINAL BLOCK
14	10-73287		5	SCREW TERMINAL BLOCK AND WIRES ARRACHING (3/8")
-	76335A2		1	SWITCH AND POTENTIOMETER ASSEMBLY DECK MODEL
15	87-72438		1	SWITCH TOGGLE DECK MODEL
16	82-76626		1	POTENTIOMETER DECK MODEL
18	19-48323		1	PLUG, CONTROL SHAFT DECK MODEL
-	87-76335A1		1	SWITCH AND POTENTIOMETER ASSEMBLY TRANSOM MODEL
15	87-72438		1	SWITCH, TOGGLE TRANSOM MODEL
16	82-76626		1	POTENTIOMETER TRANSOM MODEL
17	87-76335		1	SWITCH, PUSH BUTTON TRANSOM MODEL
19	76474		1	CAP, PUSH BUTTON SWITCH TRANSOM MODEL SERIAL 00000000-04850312
	79400		1	CAP, PUSH BUTTON SWITCH TRANSOM MODEL SERIAL 04850313-09999999
20	10-76466		2	SCREW, CAP TO CONTROL HOUSING (1/2") TRANSOM MODEL
21	76480		1	PUSH ROD TRANSOM MODEL
22	87-72439		1	SWITCH, PUSH BUTTON
23	10-76465		1	SCREW, PUSH BUTTON SWITCH
24	13-21423		1	LOCKWASHER, SWITCH SCREW
25	76476		1	GROUND PALTE (BASS)
26	12-29629		1	WASHER, POTENTIOMETER
27	43-78859		1	GEAR, POTENTIOMETER
28	10-62568		1	SCREW, WIRE TO CONTROL HOUSING (3/8)
29	76482A2		1	SHAFT ASSEMBLY, CONTROL
30	76483A1		1	INDICATOR ASSEMBLY, SPEED
31	76481		1	GRIP. CONTROL SHAFT
32	76475		1	CAP, CONTROL SHAFT
33	10-76466		2	SCREW, CAP TO CONTROL HOUSING (1/2")
34	76484		1	CAM, HI-SPEED - CONTROL SHAFT
35	12-76472		1	WASHER, FRICTION - CONTROL SHAFT

CONTINUED ON NEXT PAGE ➡

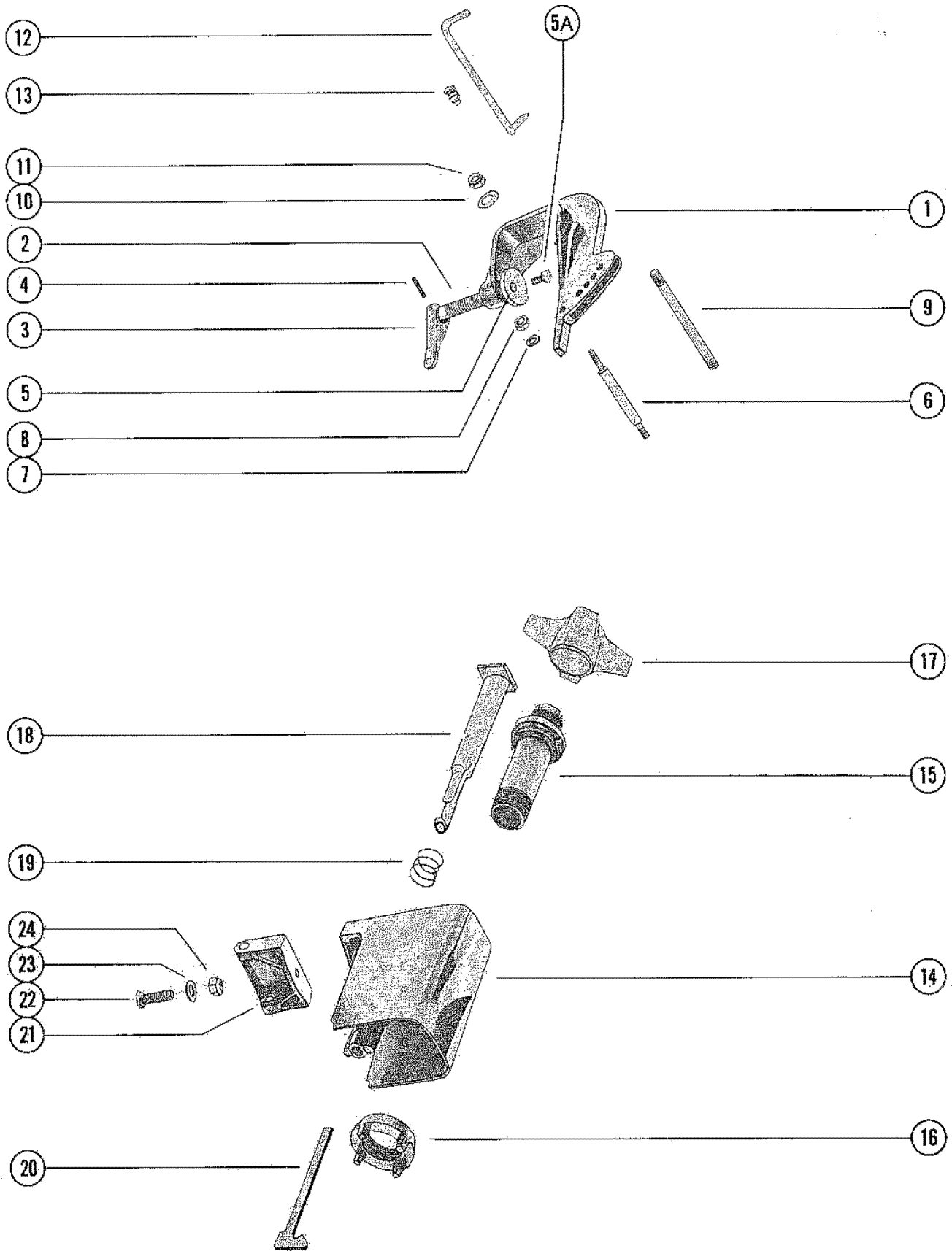
DRIVE SHAFT AND CONTROL HOUSING (DECK AND TRANSOM MODEL)



DRIVE SHAFT AND CONTROL HOUSING (DECK AND TRANSOM MODEL)

REF. NO.	PART NO.	SYM.	QTY.	DESCRIPTION
36	23-76470		2	BUSHING, NYLON - CONTROL SHAFT
37	76469		1	STOP, CONTROL SHAFT
38	10-72398		1	SET SCREW, STOP TO CONTROL SHAFT
39	53-76471		1	SNAP RING, CONTROL SHAFT
40	12-76473		1	WASHER, NYLON - CONTROL SHAFT
41	76491		1	COVER, CONTROL HOUSING
42	85-76716		1	INSULATOR, CONTROL HOUSING COVER
43	84-72535A2		1	BATTERY CABLE ASSEMBLY TRANSOM MODEL
	84-76454A1		1	BATTERY CABLE ASSEMBLY DECK MODEL
44	87-76449A1		1	SWITCH AND CABLE ASSEMBLY, REMOTE DECK MODEL
45	76489		1	BASE, SWITCH DECK MODEL
46	10-73287		2	SCREW, SWITCH CABLE TO BASE (3/8") DECK MODEL
47	76490		1	COVER, SWITCH BASE DECK MODEL
48	76488		1	BOOT, SWITCH DECK MODEL
49	10-69013		2	SCREW, SWITCH BASE ATTACHING (7/8") DECK MODEL
50	54-64391--1		1	BATTERY CLIP (POSITIVE)
	54-64391--2		1	BATTERY CLIP (NEGATIVE)

CLAMP AND SWIVEL BRACKET (TRANSOM MODEL)



CLAMP AND SWIVEL BRACKET (TRANSOM MODEL)

REF. NO.	PART NO.	SYM.	QTY.	DESCRIPTION
1	1479-5555A1		1	CLAMP BRACKET ASSEMBLY (PORT) WASHER ATTACHED WITH A RETAINING RING.
	1478-5553A1		1	CLAMP BRACKET ASSEMBLY (STARBOARD) WASHER ATTACHED WITH A RETAINING RING.
2	10-70183A1		2	THUMB SCREW ASSEMBLY WASHER ATTACHED WITH A RETAINING RING.
3	70185		2	HANDEL, THUMB SCREW WASHER ATTACHED WITH A RETAINING RING.
4	17-70733		4	GROOVE PIN, THUMB SCREW WASHER ATTACHED WITH A RETAINING RING.
5	12-70184		2	WASHER, THUMB SCREW WASHER ATTACHED WITH A RETAINING RING.
1	1479-7044A1		1	CLAMP BRACKET ASSEMBLY (PORT) WASHER WITH A SCREW.
	1478-7045A1		1	CLAMP BRACKET ASSEMBLY (STARBOARD) WASHER WITH A SCREW.
2	10-77190A4		2	THUMB SCREW ASSEMBLY WASHER WITH A SCREW.
3	78971		2	HANDLE, THUMB SCREW WASHER WITH A SCREW.
4	17-78970		2	GROOVE PIN, THUMB SCREW WASHER WITH A SCREW.
5	12-73719		2	WASHER, THUMB SCREW WASHER WITH A SCREW.
5A	76804		2	SCREW, THUMB SCREW WASHER WASHER WITH A SCREW.
6	16-68925		1	STUD, TILT PIN
7	13-26992		2	LOCKWASHER, TILT PIN STUD
8	11-29598		2	NUT, TILT PIN STUD
9	16-68926		1	STUD, CLAMP BRACKET
10	12-68920		2	WASHER, CLAMP BRACKET STUD
11	11-34863		2	NUT, CLAMP BRACKET STUD
12	17-68929A1		1	TILT PIN ASSEMBLY
13	24-62143		1	SPRING, TILT PIN
14	1483-6399		1	SWIVEL BRACKET
15	76459		1	TUBE, SWIVEL
16	76937		1	RETAINER, SWIVEL TUBE
17	76938		1	KNOB, ADJUSTMENT -SWIVEL TUBE
18	76464		1	ROD, RELEASE HOOK
19	24-76462		1	SPRING, RELEASE HOOK ROD
20	76461		1	HOOK, RELEASE
21	76463		1	BRACKET, PIVOT
22	10-65263		1	SCREW, PIVOT BRACKET TO SWIVEL BRACKET (1")
23	12-70132		1	WASHER, PIVOT BRACKET SCREW
24	11-35814		1	NUT, PIVOT BRACKET SCREW

PARTS INDEX

Part Number	Description	Pg.	Ref. No.	Part Number	Description	Pg.	Ref. No.
56762	STA-STRAP, NOSE CONE			72544	STRAP, HOLD-DOWN	3	9
	LEADS	5	3	72703A2	ELECTRIC MOTOR		
56762	STA-STRAP, WIRES	13	20		ASSEMBLY (FOOT PEDAL		
57908--2	SLEEVE, NOSE CONE				MODEL)	5	6
	LEADS	5	2	72704	ARMATURE	5	11
70185	HANDEL, THUMB SCREW	21	3	72704	ARMATURE	5	11
72054	LIFT ARM, STARBOARD	15	6	73636	INDICATOR, DIRECTIONAL	13	27
72055A2	LIFT ARM ASSEMBLY, PORT	15	1	74413	BUMPER, BASE -		
72056A1	HOUSING ASSEMBLY,				STARBOARD	3	3
	COLUMN	13	8	74860	TRUNNION, CONTROL		
72079A2	BASE ASSEMBLY	3	1		CABLE	9	14
72081A1	NOSE CONE ASS'Y (FOOT			74885	SKEG (TYPE A)	5	4
	PEDAL MODEL)	5	1	75532A1	BRUSH CARD ASSEMBLY	5	9
72081A2	NOSE CONE ASS'Y	5	1	75532A1	BRUSH CARD ASSEMBLY	5	9
72081A4	NOSE CONE ASS'Y(FOOT			75532A1	BRUSH CARD ASSEMBLY	5	9
	PEDAL MODEL)	5	1	76335A2	SWITCH AND		
72121	BASE, FOOT CONTROL	9	1		POTENTIOMETER		
72122A1	FOOT PLATE ASSEMBLY	9	22		ASSEMBLY	17	--
72124	COVERM CONTROL			76459	TUBE, SWIVEL	21	15
	HOUSING	13	26	76459	TUBE, SWIVEL DECK		
72125	HOUSING, CONTROL	13	3		MODEL	17	3
72147	HOOK	3	10	76460	HOUSING, COLUMN DECK		
72150	LATCH, DRIVE TUBE	15	26		MODEL	17	2
72153	SHAFT, PIVOT	15	5	76461	HOOK, RELEASE	21	20
72154A2	DRIVE TUBE ASSEMBLY	15	21	76463	BRACKET, PIVOT	21	21
72155	LEVER, RELEASE	15	14	76464	ROD, RELEASE HOOK	21	18
72172	RETAINER, LOWER SHAFT	13	6	76469	STOP, CONTROL SHAFT	19	37
72179	RETAINER, WIRING			76474	CAP, PUSH BUTTON		
	HARNESS	9	5		SWITCH TRANSOM		
72180	COVER, GEAR RACK	13	21		MODEL	17	19
72182A1	RETAINER ASSEMBLY,			76475	CAP,CONTROL SHAFT	17	32
	GEAR HOUSING	5	12	76476	GROUND PALTE (BASS)	17	25
72184A1	RETAINER AND BEARING			76480	PUSH ROD TRANSOM		
	ASSEMBLY	5	7		MODEL	17	21
72184A1	RETAINER AND BEARING			76481	GRIP. CONTROL SHAFT	17	31
	ASSEMBLY, NOSE CONE	5	7	76482A2	SHAFT ASSEMBLY,		
72186	SKEG (TYPE B)	5	4		CONTROL	17	29
72251	RACK, GEAR	13	16	76483A1	INDICATOR ASSEMBLY,		
72252	RETAINER, UPPER SHAFT	13	2		SPEED	17	30
72254	KNOB, PIVOT	3	7	76484	CAM, HI-SPEED - CONTROL		
72260A1	SHAFT ASSEMBLY, UPPER	13	1		SHAFT	17	34
72261A1	SHAFT ASSWSEMBLY,			76488	BOOT, SWITCH DECK		
	LOWER	13	14		MODEL	19	48
72263	HANDLE, CLAMPING-			76489	BASE, SWITCH DECK		
	COLUMN HOUSING	13	9		MODEL	19	45
72390A1	GEAR AND PROPELLER			76490	COVER, SWITCH BASE		
	SHAFT ASSEMBLY	7	19		DECK MODEL	19	47
72402	BUMPER, BASE - PORT	3	2	76491	COVER, CONTROL		
72420A1	CONTROL CABLE				HOUSING	19	41
	ASSEMBLY	9	13	76492	HOUSING, CONTROL	17	9
72423	SHAFT, PIVOT	9	3	76513A2	ELECTRIC MOTOR		
72425A1	INDICATOR ASSEMBLY	9	24		ASSEMBLY	5	6
72473	CAP, RUBBER - PUSH			76804	SCREW, THUMB SCREW		
	BUTTON SWITCH	9	30		WASHER	21	5A
72474	SUCTION CUPS, FOOT			76935	KNOB, CLAMP	17	7
	CONTROL BASE	9	2	76937	RETAINER, SWIVEL TUBE	21	16
72475	RETAINER, BUSHING	5	14	76937	RETAINER, SWIVEL TUBE		
72475	RETAINER, GEAR HOUSING				DECK MODEL	17	4
	BUSHING	7	25	76938	KNOB, ADJUSTMENT		
72517	HOLDER, LIGHT BULB	13	18		-SWIVEL TUBE	21	17

PARTS INDEX

Part Number	Description	Pg.	Ref. No.	Part Number	Description	Pg.	Ref. No.
76938	KNOB, ADJUSTMENT -SWIVEL TUBE DECK MODEL	17	5	10-68918	SCREW, CONTROL HOUSING TO COVER (1")	13	10
77110A1	RETAINER AND BEARING ASSEMBLY	5	7	10-68918	SCREW, COVER ATTACHING	17	12
77112	ARMATURE	5	11	10-69010	SCREW, RETAINER TO GEAR HOUSING (1")	7	27
78414	RETAINER, IDLER GEAR . . .	13	29	10-69013	SCREW, SWITCH BASE ATTACHING (7/8")	19	49
78416	PULLEY, CONTROL CABLE .	11	40	10-70183A1	THUMB SCREW ASSEMBLY	21	2
78417	PIVOT, PULLEY	11	41	10-72378	SCREW, GEAR HOUSING TO NOSE COVER (7")	7	29
78418	CONTROL CABLE (SEE NOTE)	9	13	10-72398	SET SCREW, CONTROL HOUSING TO UPPER SHAFT	13	4
78419	DRUM	13	31	10-72398	SET SCREW, STOP TO CONTROL SHAFT	19	38
78420	HOUSING, CONTROL	13	3	10-73287	SCREW	13	13
78421A3	FOOT PLATE ASSEMBLY . .	9	22	10-73287	SCREW	17	14
78422	BASE, FOOT CONTROL . . .	9	1	10-73287	SCREW, "J" CLIP ATTACHING	9	35
78559A1	SHAFT ASSEMBLY, LOWER	13	14	10-73287	SCREW, HARNESS LEADS ATTACHING (3/8")	9	11
78796A3	ELECTRIC MOTOR ASSEMBLY (FOOT PEDAL MODEL)	5	6	10-73287	SCREW, HARNESS LEADS ATTACHING (3/8")	9	8
78971	HANDLE, THUMB SCREW . .	21	3	10-75334	SCREW, SWITCH CABLE TO BASE (3/8")	19	46
79400	CAP, PUSH BUTTON SWITCH TRANSOM MODEL	17	19	10-76465	SCREW, COLUMN HOUSING TO LIFT ARM (3")	15	10
A-27-72863A1	GASKET SET	7	-	10-76465	SCREW, PUSH BUTTON SWITCH	17	23
A-37-73470A76	DECAL SET (FOOT PEDAL MODEL)	1	-	10-76466	SCREW, CAP TO CONTROL HOUSING (1/2")	17	33
A-37-76486A77	DECAL SET (DECK MODEL AND TRANSOM MODEL) .	1	-	10-76466	SCREW, CAP TO CONTROL HOUSING (1/2") TRANSOM MODEL	17	20
10-20597	SCREW, COVER TO CONTROL HOUSING (3/8")	13	22	10-77190A4	THUMB SCREW ASSEMBLY	21	2
10-20597	SCREW, RETAINER TO FOOT CONTROL BASE (3/8")	9	6	10-77478	SCREW, PUSH BUTTON SWITCH TO FOOT PLATE	9	20
10-22928	SCREW, SET - PIVOT SHAFT TO FOOT PLATE	11	37	10-77950	SCREW, LIFT ARM CLAMPING (2 3/4")	15	8
10-22928	SET SCREW, RETAINER TO LOWER SHAFT	13	7	10-77951	SCREW, LIFT ARM CLAMPING (2 1/4")	15	7
10-26889	SCREW, BASE TO BOAT (2 1/4")	3	13	10-79168	SCREW, RETAINER TO ELECTRIC MOTOR	5	8
10-31471	SCREW, BASE TO BOAT (3")	3	13	10-79168	SCREW, RETAINER TO ELECTRIC MOTOR	5	8
10-32228	SCREW, CLAMP KNOB (5/8")	17	8	10-79168	SCREW, RETAINER TO ELECTRIC MOTOR	5	8
10-35057	SET SCREW, CONTROL HOUSING TO DRIVE SHAFT	17	11	11-26062	NUT, PROPELLER	7	33
10-37370	SCREW, DIRECTIONAL INDICATOR TO GEAR (5/8")	13	28	11-29598	NUT, TILT PIN STUD	21	8
10-37370	SCREW, PIVOT PULLEY . . .	11	42	11-34863	NUT, CLAMP BRACKET STUD	21	11
10-37370	SCREW, TERMINAL BLOCK ATTACHING (1/2")	9	9	11-34932	NUT, COLUMN HOUSING SCREW	15	11
10-37655	SCREW	9	12	11-35045	NUT, BASE SCREW	3	17
10-37655	SCREW	9	32	11-35814	NUT, PIVOT BRACKET SCREW	21	24
10-37655	SCREW, LATCH TO DRIVE TUBE	15	27	11-45592	NUT, LIFT ARM CLAMPING SCREW	15	9
10-47828	SCREW, BUMPER TO BASE	3	4				
10-62568	SCREW	13	12				
10-62568	SCREW, WIRE TO CONTROL HOUSING (3/8)	17	28				
10-65263	SCREW, PIVOT BRACKET TO SWIVEL BRACKET (1")	21	22				

PARTS INDEX

Part Number	Description	Pg.	Ref. No.	Part Number	Description	Pg.	Ref. No.
12-29070	WASHER, SEALING - RETAINER SCREW	7	28	18-29623	COTTER PIN, CLEVIS	9	16
12-29245	WASHER, BASE SCREW (1/2" O.D.)	3	14	19-48323	PLUG, CONTROL SHAFT DECK MODEL	17	18
12-29629	WASHER, POTENTIOMETER	17	26	22-52644	PLUG, PIPE - GEAR HOUSING (DRAIN)	7	26
12-30644	WASHER, RELEASE LEVER PIN	15	16	23-26856	BUSHING, NYLON- INDICATOR GEAR	13	24
12-35950	WASHER, INDICATOR	9	25	23-29638	BUSHING, NYLON - PIVOT SHAFT	9	4
12-57427	WASHER, BASE SCREW (1" O.D.)	3	16	23-60762	BUSHING, NYLON - INDICATOR	9	29
12-57428	WASHER, BASE SCREW (RUBBER)	3	15	23-72146	BUSHING, RELEASE LEVER PIN	15	24
12-58790	WASHER, PROPELLER SHAFT	7	21	23-72173A1	SLEEVE ASSEMBLY, GEAR HOUSING	7	23
12-68920	WASHER, CLAMP BRACKET STUD	21	10	23-72253	BUSHING, COLUMN HOUSING	15	12
12-70132	WASHER, PIVOT BRACKET SCREW	21	23	23-72258	SLEEVE, LOWER SHAFT (TOP)	13	15
12-70184	WASHER, THUMB SCREW .	21	5	23-72386	BUSHING, BEVEL GEAR . . .	15	29
12-72371	WASHER, COLUMN HOUSING BUSHING	15	13	23-72387	BUSHING, LIFT ARM	15	2
12-72389	WASHER, MILTER MITER GEAR	15	3	23-72387	BUSHING, MITER GEAR . . .	15	19
12-72389	WASHER, THRUST-MITER GEAR AND LEVEL GEAR	15	18	23-72482	BUSHING, GEAR HOUSING	7	24
12-72761	WASHER, TRUNNION SPRING	11	38	23-72482	BUSHING, RETAINER	5	13
12-73719	WASHER, THUMB SCREW .	21	5	23-76470	BUSHING, NYLON - CONTROL SHAFT	19	36
12-76472	WASHER, FRICTION - CONTROL SHAFT	17	35	24-62143	SPRING, TILT PIN	21	13
12-76473	WASHER, NYLON - CONTROL SHAFT	19	40	24-65553	SPRING, RELEASE LEVER PIN	15	23
12-76912	WASHERM GEAR RACK . . .	13	17	24-72256	SPRING, COMPRESSION - HOOK	3	11
13-21423	LOCKWASHER, PUSH BUTTON SWITCH SCREW	9	21	24-72257	SPRING, COMPRESSION . .	15	20
13-21423	LOCKWASHER, SWITCH SCREW	17	24	24-75533	SPRING, BRUSH	5	10
13-26992	LOCKWASHER, TILT PIN STUD	21	7	24-75533	SPRING, BRUSH	5	10
13-34632	WAVE WASHER, COUPLING LATE MODELS	9	28	24-75533	SPRING, BRUSH	5	10
13-39227	WAVE WASHER, PIVOT KNOB	3	8	24-76462	SPRING, RELEASE HOOK ROD	21	19
16-68925	STUD, TILT PIN	21	6	24-76913	SPRING, TRUNNION	11	39
16-68926	STUD, CLAMP BRACKET . .	21	9	25-59712	"O" RING, NOSE CONE	5	5
17-27055	ROLL PIN, BASE	3	5	25-72421	GROMMET, BASE	3	6
17-68929A1	TILT PIN ASSEMBLY	21	12	25-76468	GROMMET, CONTROL HOUSING	17	10
17-70733	GROOVE PIN, THUMB SCREW	21	4	26-72461	SEAL, RETAINER	7	15
17-70733	PIN, PROPELLER DRIVE . . .	7	20	27-85515	GASKET, RETAINER TO GEAR HOUSING	7	16
17-72148	PIN, MITER GEAR AND BEVEL GEAR TO DRIVE TUBE	15	25	30-72388	BEARING, UPPER SHAFT . .	13	5
17-72149	PIN, RELEASE LEVER	15	22	32-72545	TUBE, RUBBER, - INDICATOR	9	27
17-72250	ROLL PIN, FOOT PLATE . . .	9	23	43-72385	SUN GEAR	7	18
17-72250	ROLL PIN, HOOK TO BASE .	3	12	43-72859	RING GEAR	7	17
17-72255	ROLL PIN, RELEASE LEVER	15	15	43-72860	MITER GEAR, DRIVE TUBE .	15	17
17-74859	CLEVIS PIN, TRUNNION TO CONTROL CABLE	9	15	43-72860	MITER GEAR, PIVOT SHAFT	15	4
				43-72861	BEVEL GEAR, DRIVE TUBE	15	28
				43-72994	GEAR, INDICATOR	13	23
				43-78413	GEAR, INDICATOR	13	23
				43-78415	IDLER GEAR	13	30
				43-78859	GEAR, POTENTIOMETER . .	17	27
				45-76487	DRIVE SHAFT	17	1
				48-72426	PROPELLER (FOOT PEDAL MODEL)	7	31

PARTS INDEX

Part Number	Description	Pg.	Ref. No.	Part Number	Description	Pg.	Ref. No.
48-77970	PROPELLER (DECK MODEL AND TRANSOM MODEL)	7	31	1479-5555A1	CLAMP BRACKET ASSEMBLY (PORT)	21	1
53-27290	RETAINING RING, INDICATOR	9	26	1479-7044A1	CLAMP BRACKET ASSEMBLY (PORT)	21	1
53-76471	SNAP RING, CONTROL SHAFT	19	39	1483-6399	SWIVEL BRACKET	21	14
54-63153	"J" CLIP, BATTERY CABLE	9	34	1649-5848A1	GEAR HOUSING ASSEMBLY	7	22
54-64391--1	BATTERY CLIP (POSITIVE)	19	50				
54-64391--2	BATTERY CLIP (NEGATIVE)	19	50				
54-76936A1	CLAMP ASSEMBLY	17	6				
82-76626	POTENTIOMETER DECK MODEL	17	16				
82-76626	POTENTIOMETER TRANSOM MODEL	17	16				
82-76626A1	POTENTIOMETER AND HARNESS ASSEMBLY	9	18				
82-76626A3	POTENTIOMETER AND HARNESS ASSEMBLY	9	18				
84-72535A1	BATTERY CABLE ASSEMBLY	9	33				
84-72535A2	BATTERY CABLE ASSEMBLY TRANSOM MODEL	19	43				
84-72551A1	WIRING HARNESS AND HANDLE ASSEMBLY	11	36				
84-76454A1	BATTERY CABLE ASSEMBLY DECK MODEL	19	43				
84-79141A2	WIRING HARNESS AND HANDLE ASSEMBLY	11	36				
85-72661	INSULATOR, CONTROL	13	25				
85-76716	INSULATOR, CONTROL HOUSING COVER	19	42				
86-66986	TERMINAL BLOCK, FOOT CONTROL BASE	9	7				
86-66986	TERMINAL BLOCK, FOOT PLATE	9	31				
86-67460	TERMINAL BLOCK, CONTROL HOUSING	13	11				
86-67460	TERMINAL BLOCK, FOOT CONTROL BASE	9	10				
86-76477	TERMINAL BLOCK	17	13				
87-72438	SWITCH TOGGLE DECK MODEL	17	15				
87-72438	SWITCH, TOGGLE TRANSOM MODEL	17	15				
87-72438A1	SWITCH AND HARNESS ASSEMBLY	9	17				
87-72439	SWITCH, PUSH BUTTON	9	19				
87-72439	SWITCH, PUSH BUTTON	17	22				
87-76335	SWITCH, PUSH BUTTON TRANSOM MODEL	17	17				
87-76335A1	SWITCH AND POTENTIOMETER ASSEMBLY	17	--				
87-76449A1	SWITCH AND CABLE ASSEMBLY, REMOTE	19	44				
88-72729	LIGHT BULB	13	19				
1478-5553A1	CLAMP BRACKET ASSEMBLY (STARBOARD)	21	1				