



PARTS CATALOG

MERC 90

SERIAL NUMBER

900, 90 USA 4845301 THRU 5299505
900, 90 CAN 7111698 THRU 7123762

TABLE OF CONTENTS:

BOTTOM COWL AND SHIFT LINKAGE	34
CARBURETOR ASSEMBLY	24
CARBURETOR LINKAGE AND CHOKE SOLENOID	22
CLAMP BRACKET AND REVERSE LOCK	40
COWLING AND FRONT COVER	6
CRANKSHAFT, PISTONS AND CONNECTING RODS	32
CYLINDER BLOCK AND CRANKCASE ASSEMBLY	28
DISTRIBUTOR ADAPTOR AND VERTICAL LINKAGE	16
DISTRIBUTOR HOUSING AND ROTOR	10
DRIVE SHAFT HOUSING ASSEMBLY	44
END CAP, MANIFOLD AND EXHAUST COVERS	30
EXHAUST EXTENSION PLATE	36
FLYWHEEL ASSEMBLY AND STATOR	8
FUEL PUMP AND FUEL LINE ASSEMBLY	26
GEAR HOUSING ASSEMBLY, COMPLETE (PAGE 1)	46
GEAR HOUSING ASSEMBLY, COMPLETE (PAGE 2)	50
HYDRAULIC PUMP AND CONTROL VALVE	56
HYDRAULIC PUMP ASSEMBLY	54
IGNITION COIL	14
MISCELLANEOUS PARTS/ACCESSORIES	1
PARTS INDEX	69
POWER TRIM CYLINDER REPAIR KITS	64
PROPELLERS (RIGHT HAND ROTATION)	68
SERIAL GROUP CHART	66
STARTER MOTOR, STARTER SOLENOID, RECTIFIER AND WIRING HARNES	20
SWIVEL BRACKET ASSEMBLY	38
TOP COWL AND SUPPORT BRACKETS	2
TRIM CYLINDERS AND HYDRAULIC HOSES	60

NOTE: Indented description indicate that these parts are included in preceeding assembly.

AR = As Required

NSS = Not Sold Separate

OPT = Optional

NS = Not Shown

NOTE: Following symbols are located in **SYM** column.

● = CONTENTS OF [27-60476A75] GASKET SET

■ = COMPONENT OF REPAIR PARTS KIT

■ = NOT SOLD SEPARATELY.

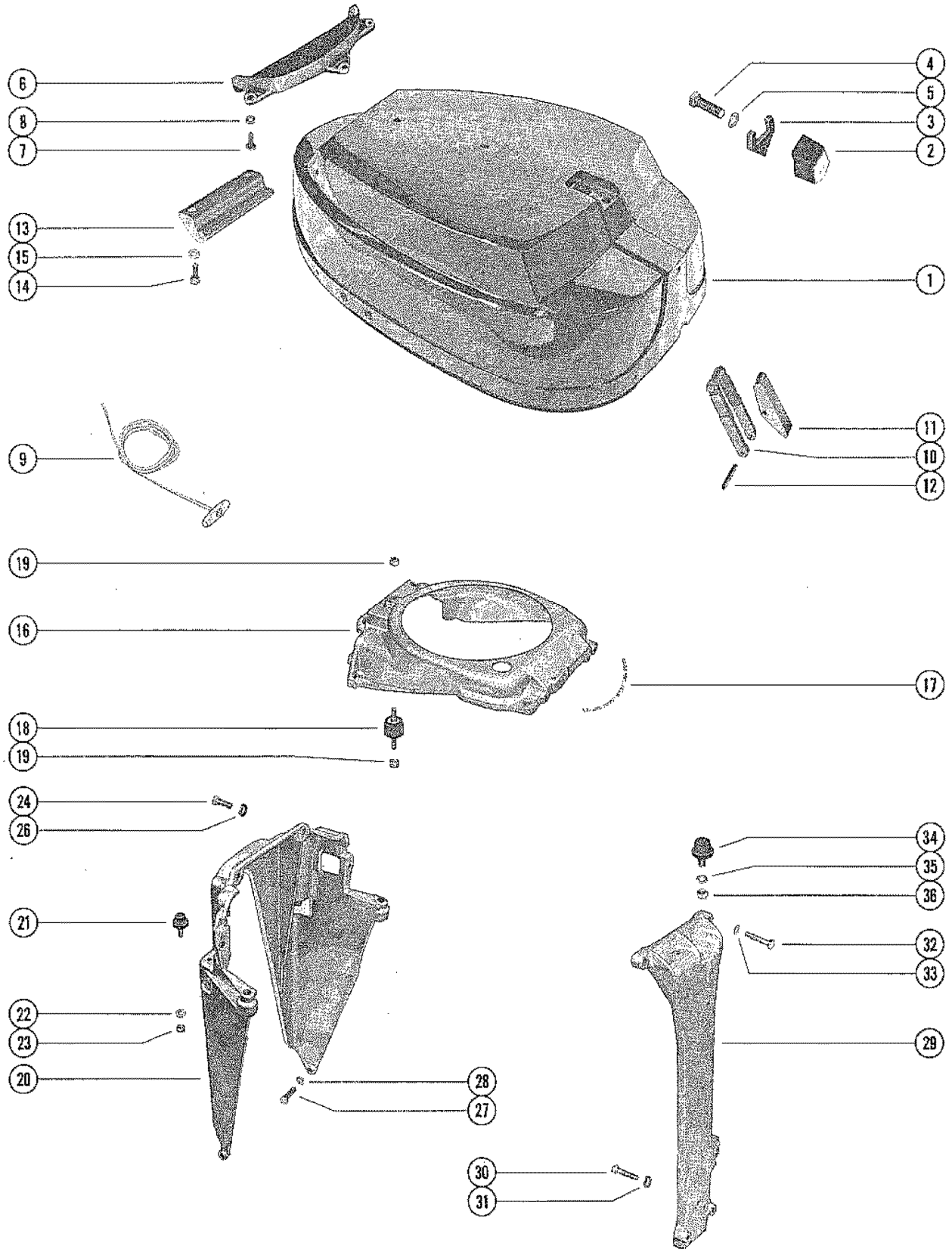
▲ = COMPONENT OF GASKET AND PACKING SET

THESE PARTS BOOKS/FICHE CARD ARE COPYRIGHTED AND MAY NOT BE DISTRIBUTED OR REPRODUCED IN ANY OTHER FORMAT BY ANYONE OTHER THAN MERCURY MARINE WITHOUT THE PRIOR WRITTEN CONSENT OF MERCURY MARINE.

MISCELLANEOUS PARTS/ACCESSORIES

REF. NO.	PART NO.	SYM.	QTY.	DESCRIPTION
-	90-79176		0	MERC 90 PARTS LIST
-	27-60476A75		0	GASKET SET
-	37-78741A78		0	DECAL SET - SERIAL GROUP #1 .
-	37-86432A79		0	DECAL SET - SERIAL GROUP #2

TOP COWL AND SUPPORT BRACKETS

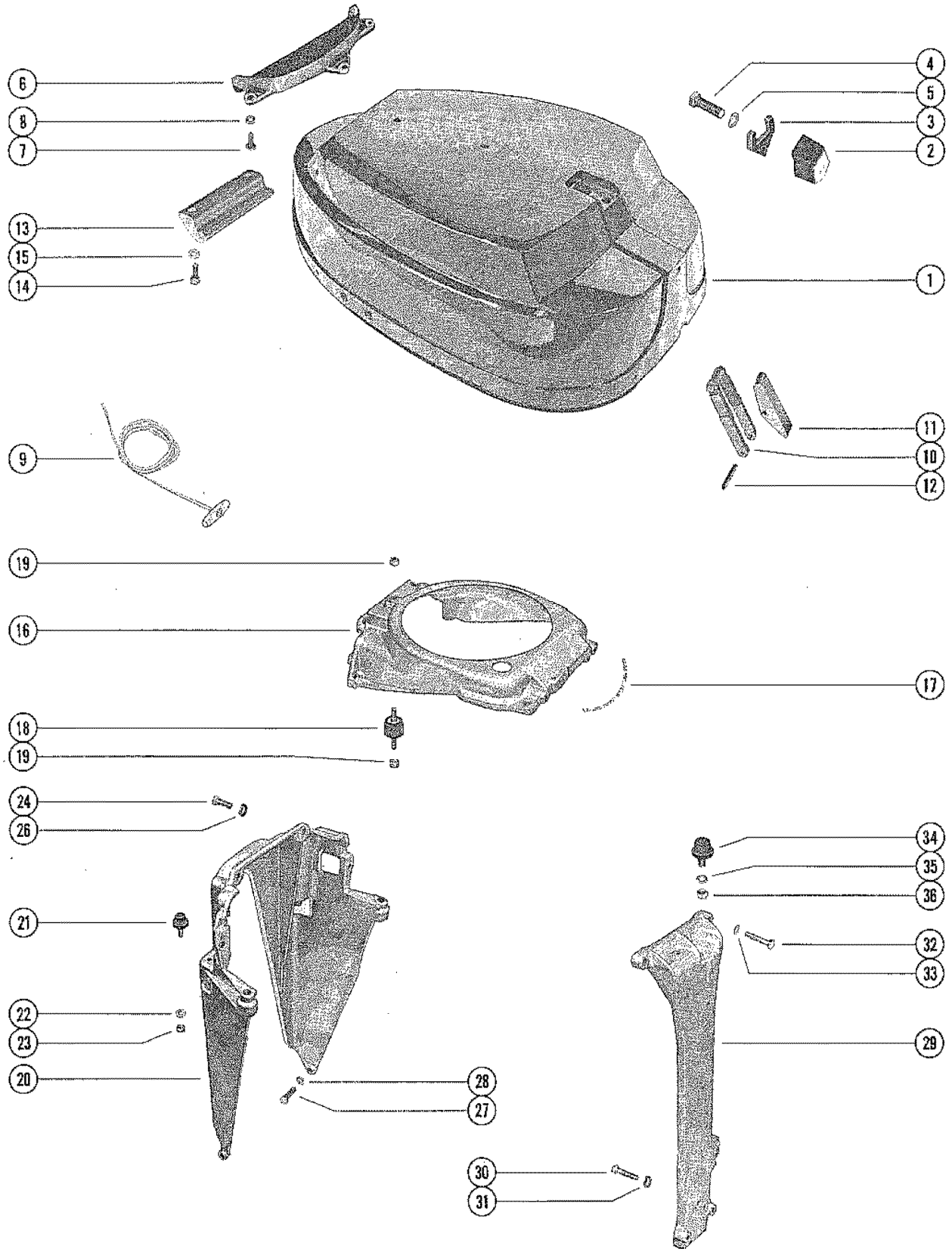


TOP COWL AND SUPPORT BRACKETS

REF. NO.	PART NO.	SYM.	QTY.	DESCRIPTION
1	2114-5999		1	COWL, TOP (WITHOUT DECALS)
2	52733A9		1	RETAINER ASSEMBLY, TOP COWL
3	35496		1	PAD, BUMPER - TOP COWL RETAINER
4	10-37558		1	SCREW, RETAINER TO TOP COWL (1 1/4")
5	13-39107		1	LOCKWASHER, RETAINER TO TOP COWL SCREW
6	76370		1	SHIELD, TOP COWL - REAR
7	10-37370		3	SCREW, SHIELD TO TOP COWL (5/8")
8	13-37371		3	LOCKWASHER, SHIELD SCREW
9	47341A1		1	ROPE, STARTER (FOR MANUAL STARTING ONLY)
10	52739		1	HING, COWL LATCH - TOP COWL
11	52737		1	LEVER, COWL LATCH HINGE
12	17-58998		1	PIN, ROLL - COWL LATCH LEVER TO HINGE
13	55455		1	HOOK, TOP COWL LATCH - REAR
14	10-22956		2	SCREW, REAR HOOK TO TOP COWL (7/8")
15	13-26992		2	LOCKWASHER, REAR HOOK MOUNTING SCREW
16	75971A1		1	FRAME ASSEMBLY, TOP COWL SUPPORT UNITED STATES 5160323 AND BELOW AUSTRALIA 8056844 AND BELOW CANADA 7123412 AND BELOW
	86922A1		1	FRAME ASSEMBLY, TOP COWL SUPPORT UNITED STATES 5160324 AND UP AUSTRALIA 8056845 AND UP CANADA 7123413 AND UP
17	37-73291		1	DECAL, TIMING (FLYWHEEL) UNITED STATES 5160323 AND BELOW AUSTRALIA 8056844 AND BELOW CANADA 7123412 AND BELOW
18	37639		3	MOUNT, RUBBER - TOP COW FRAME
	46096		OPT	MOUNT RUBBER - TOP COWL FRAME (HEAVY DUTY)
19	11-35888		6	NUT, RUBBER MOUNT TO TOP COWL FRAME
20	64954		1	BRACKET, TOP COWL SUPPORT - REAR
21	31014		2	MOUNT, RUBBER - REAR SUPPORT BRACKET
22	13-26992		2	LOCKWASHER RUBBER MOUNT TO REAR SUPPORT BRACKET
23	11-29598		2	NUT RUBBER MOUNT TO REAR SUPPORT BRACKET
24	10-37562		4	SCREW, REAR BRACKET TO FRAME (1")
26	13-26993		4	LOCKWASHER, REAR BRACKET SCREW
27	10-37562		4	SCREW, REAR BRACKET TO BOTTOM COWL (1")
28	13-26993		4	LOCKWASHER, REAR SUPPORT BRACKET SCREW
29	77103A3		1	BRACKET ASSEMBLY, TOP COWL - FRONT
30	10-69092		2	SCREW FRONT BRACKET TO BOTTOM COWL (1 1/4")
31	13-26992		2	LOCKWASHER FRONT SUPPORT BRACKET SCREW

CONTINUED ON NEXT PAGE ➡

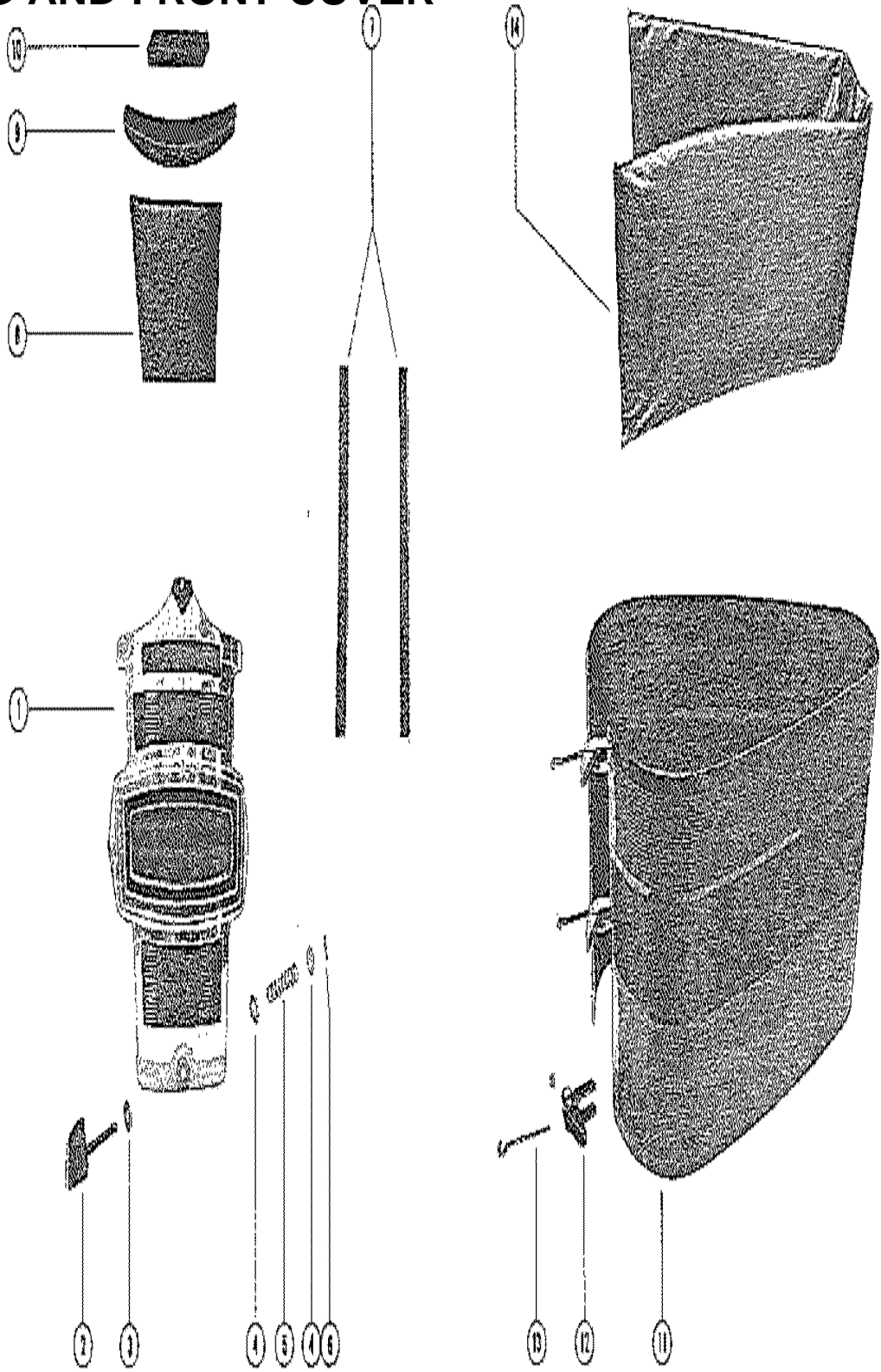
TOP COWL AND SUPPORT BRACKETS



TOP COWL AND SUPPORT BRACKETS

REF. NO.	PART NO.	SYM.	QTY.	DESCRIPTION
32	10-55511		2	SCREW FRONT BRACKET TO TOP COWL FRAME (1 1/2")
33	13-26993		2	LOCKWASHER FRONT SUPPORT BRACKET SCREW
34	37640		1	MOUNT, RUBBER FRONT SUPPORT BRACKET
35	13-26993		1	LOCKWASHER RUBBER MOUNT TO FRONT SUPPORT BRACKET
36	11-28770		1	NUT RUBBER MOUNT TO FRON SUPPORT BRACKET

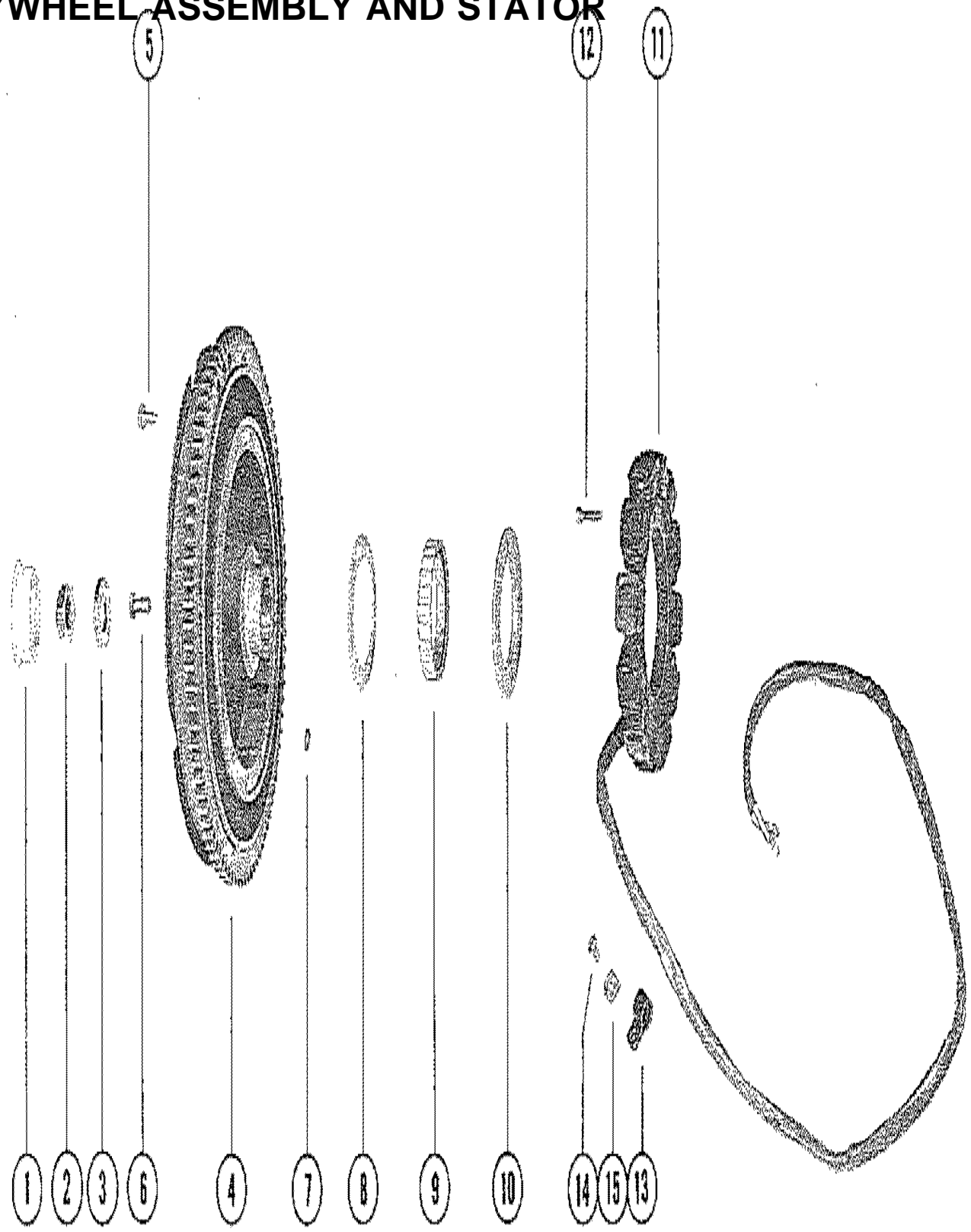
COWLING AND FRONT COVER



COWLING AND FRONT COVER

REF. NO.	PART NO.	SYM.	QTY.	DESCRIPTION
1	2113-5631A4		1	COWL FRONT COVER ASSEMBLY (WITHOUT DECALS)
2	56849		1	KNOB, COWL FRONT COVER FASTENING
3	12-30771		2	WASHER, COVER FASTENING KNOB (RUBBER)
4	12-59572		2	WASHER, COVER FASTENING KNOB (PLASTIC)
5	24-30772		1	SPRING, TENSION - FASTENING KNOB
6	17-29077		1	ROLL PIN, TENSION SPRING TO KNOB
7	31089		2	STRIP, SOUND ABSORBING
8	38674		1	BAG, STARTER ROPE
9	35769		1	SEAL, SOUND ABSORBING - UPPER
10	53334		1	SEAL, SOUND ABSORBING - TOP
11	2136-4660A4		1	WRAP AROUND COWL ASSEMBLY (WITHOUT DECALS)
12	46785A1		3	COWL LATCH ASSEMBLY
13	30413		3	HOOK, COWL LATCH FASTENING
14	30021		1	BLANKET, SOUND ABSORBING
-	92-25234--1		1	GLUE, ADHESIVE - BLANKET FASTENING
-	92-27109--1		1	ADHESIVE COMPOUND, EMBLEM FASTENING

FLYWHEEL ASSEMBLY AND STATOR

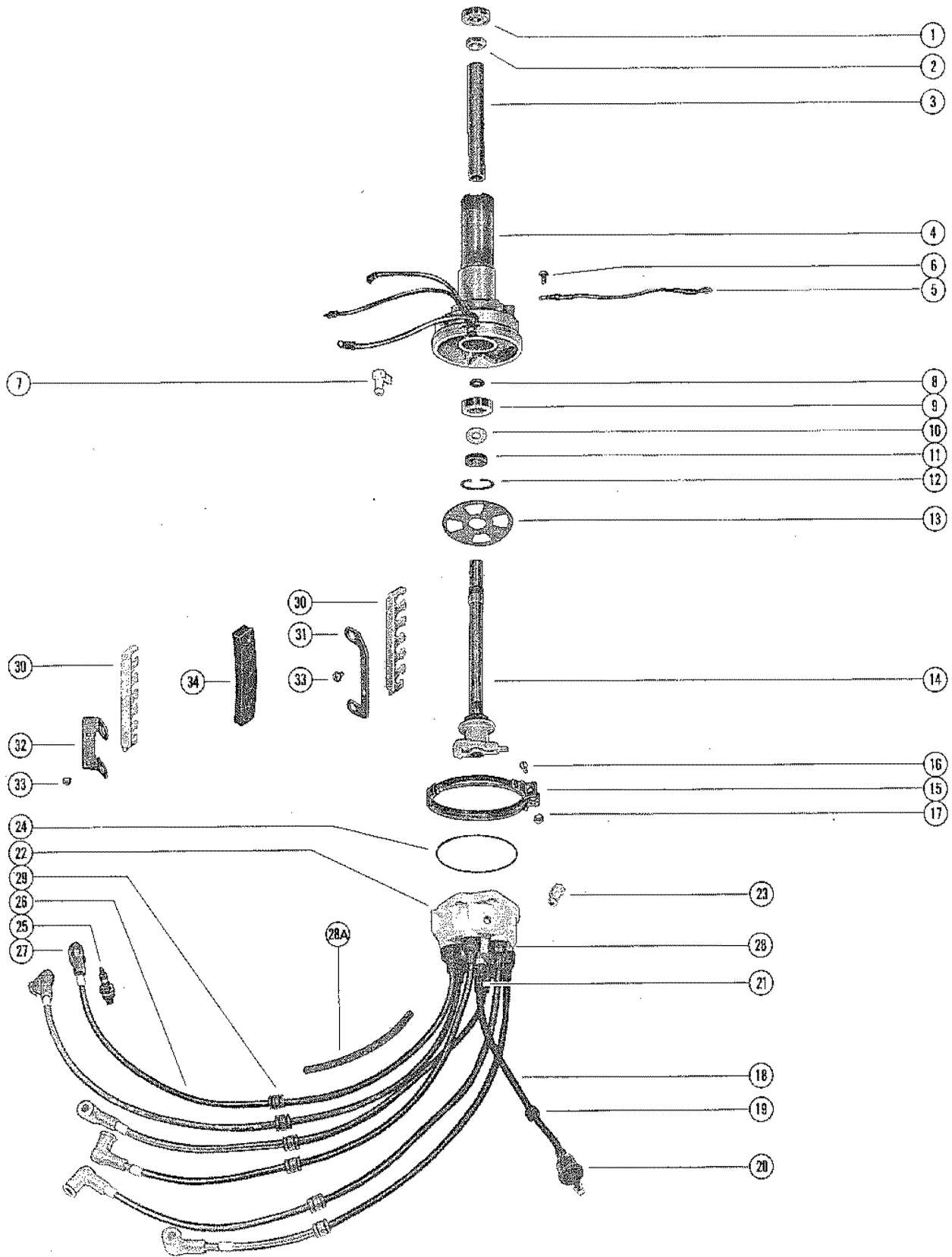


FLYWHEEL ASSEMBLY AND STATOR

REF. NO.	PART NO.	SYM.	QTY.	DESCRIPTION
1	19-45907		1	PLUG, FLYWHEEL PULLER THREADS
2	11-52901		1	NUT, FLYWHEEL (PART OF A-436-6646A2 CRANKSHAFT ASSEMBLY)
3	12-68229		1	WASHER, FLYWHEEL NUT
4	225-2494A30		1	FLYWHEEL ASSEMBLY, COMPLETE UNITED STATES 5160323 AND BELOW AUSTRALIA 8056844 AND BELOW CANADA 7123412 AND BELOW
	225-2494A37		1	FLYWHEEL ASSEMBLY, COMPLETE UNITED STATES 5160324 AND UP AUSTRALIA 8056845 AND UP CANADA 7123413 AND UP
5	10-32417		8	SCREW, FLEXIBLE PLATE TO FLYWHEEL (5/8")
6	10-68997		8	SCREW, PLATE/HUB TO FLEX.PLATE
7	17-26618		1	PIN, DOWEL - PULLEY TO FLYWHEEL
8	29788		1	FLANGE, FLYWHEEL PULLEY
9	30306		1	PULLEY, FLYWHEEL
10	29787		1	HUB, FLYWHEEL PULLEY
11	398-4793		1	STATOR, ALTERNATOR (NOT AS SHOWN)
12	10-75840		4	SCREW, STATOR TO UPPER END CAP (7/8")
13	54-24871		1	CLIP, STATOR LEAD FASTENING (5/8")
	54-22627		1	CLIP STATOR/WIRING HARNESS LEADS FASTENING (1/2")
14	10-62568		3	SCREW, STATOR LEAD CLIP FASTENING (3/8")
15	69205		3	"D" WASHER, CLIP FASTENING SCREW

FOR REPLACEMENT FLYWHEEL FLEX PLATES, ORDER A-[55623A5] REPLACEMENT KIT.

DISTRIBUTOR HOUSING AND ROTOR



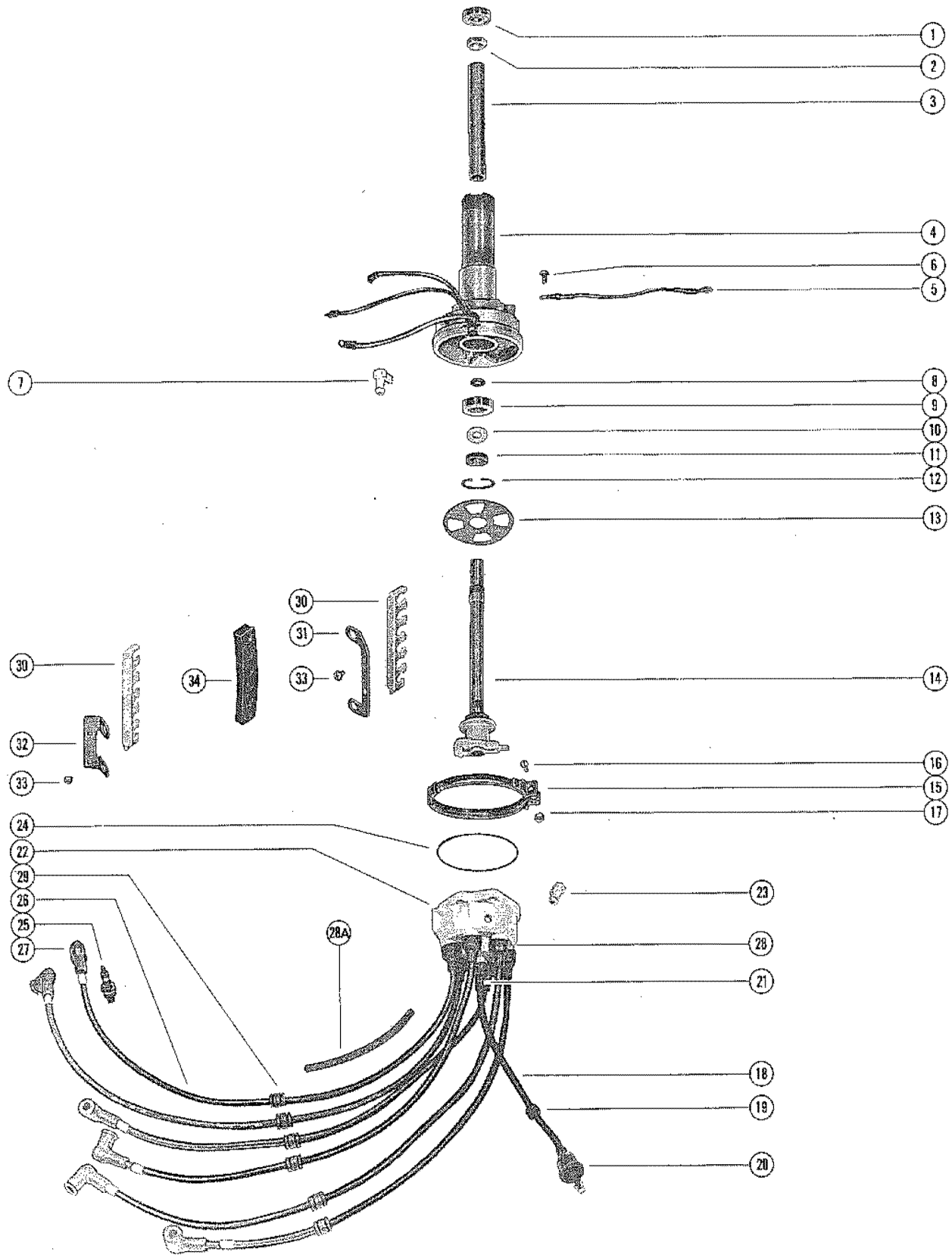
DISTRIBUTOR HOUSING AND ROTOR

REF. NO.	PART NO.	SYM.	QTY.	DESCRIPTION
1	30-20066		1	BALL BEARING, DISTRIBUTOR HOUSING (UPPER)
2	11-54209		1	NUT, ROTOR SHAFT TO DISTRIBUTOR HOUSING
3	23-53539		1	SLEEVE, ROTOR SHAFT
4	393-3736A77		1	HOUSING ASSEMBLY, DISTRIBUTOR
5	53417		1	GROUND STRAP ASSEMBLY DISTRIBUTOR TO CRANKCASE
6	10-62568		1	SCREW, GROUND STRAP ATTACHING (3/8")
7	58807A1		1	FLAME, ARRESTOR, VENT - DISTRIBUTOR HOUSING
8	15-55853		1	SHIM, BALL BEARING TO DISTRIBUTOR HOUSING
9	30-26379		1	BALL BEARING, DISTRIBUTOR HOUSING (LOWER)
10	15-21148A1		AR	SHIM, BALL BEARING TO SPACER
11	23-53538		1	SPACER, ROTOR SHAFT
12	53-26406		1	RING RETAINER - BALL BEARING TO DISTRIBUTOR HOUSING
13	393-4313		1	DISC, ROTOR
14	393-4312		1	ROTOR, DISTRIBUTOR
15	54-60768		1	CLAMP, DISTRIBUTOR CAP TO DISTRIBUTOR HSG. PART OF DISTRIBUTOR CAP ASSEMBLY
16	10-65774		1	SCREW, DISTRIBUTOR CAP CLAMP (1 1/8") PART OF DISTRIBUTOR CAP ASSEMBLY
17	11-26768		1	NUT, DISTRIBUTOR CAP CLAMP SCREW PART OF DISTRIBUTOR CAP ASSEMBLY
18	84-69207A1		1	CABLE ASSEMBLY, CAP TO COIL
19	25-26547		1	GROMMET, HIGH TENSION CABLE
20	332-2854		1	BOOT, HIGH TENSION CABLE TO COIL
21	60096		1	BOOT, HIGH TENSION CABLE
22	393-4841A2		1	DISTRIBUTOR CAP ASSEMBLY
-	393-1293A1		1	BRUSH AND SPRING ASSEMBLY
23	58807A1		1	FLAME ARRESTOR, VENT - DISTRIBUTOR CAP
24	27-55896	●	1	GASKET, DISTRIBUTOR CAP
25	33-68057		6	SPARK PLUG (CHAMPION L-76V)
26	84-63212A2		6	SPARK PLUG LEAD ASS'Y #1, 2, 3, 4, 5, AND 6 ORDER A-[36549A1] KIT FOR REPLACEMENT OF LEAD WIRE MARKERS.
-	20121		6	CONNECTOR, SPARK PLUG LEAD
27	85-71006A1		6	PROTECTOR, SPARK PLUG LEAD
28	60096		6	BOOT, SPARK PLUG LEAD TO DISTRIBUTOR
28A	23-62238--1		6	SLEEVE, SPARK PLUG LEAD (7")
29	25-26547		12	GROMMET, SPARK PLUG LEADS
30	45409		2	WIRE RETAINER, HIGH TENSION LEADS

● = CONTENTS OF [27-60476A75] GASKET SET

CONTINUED ON NEXT PAGE ➡

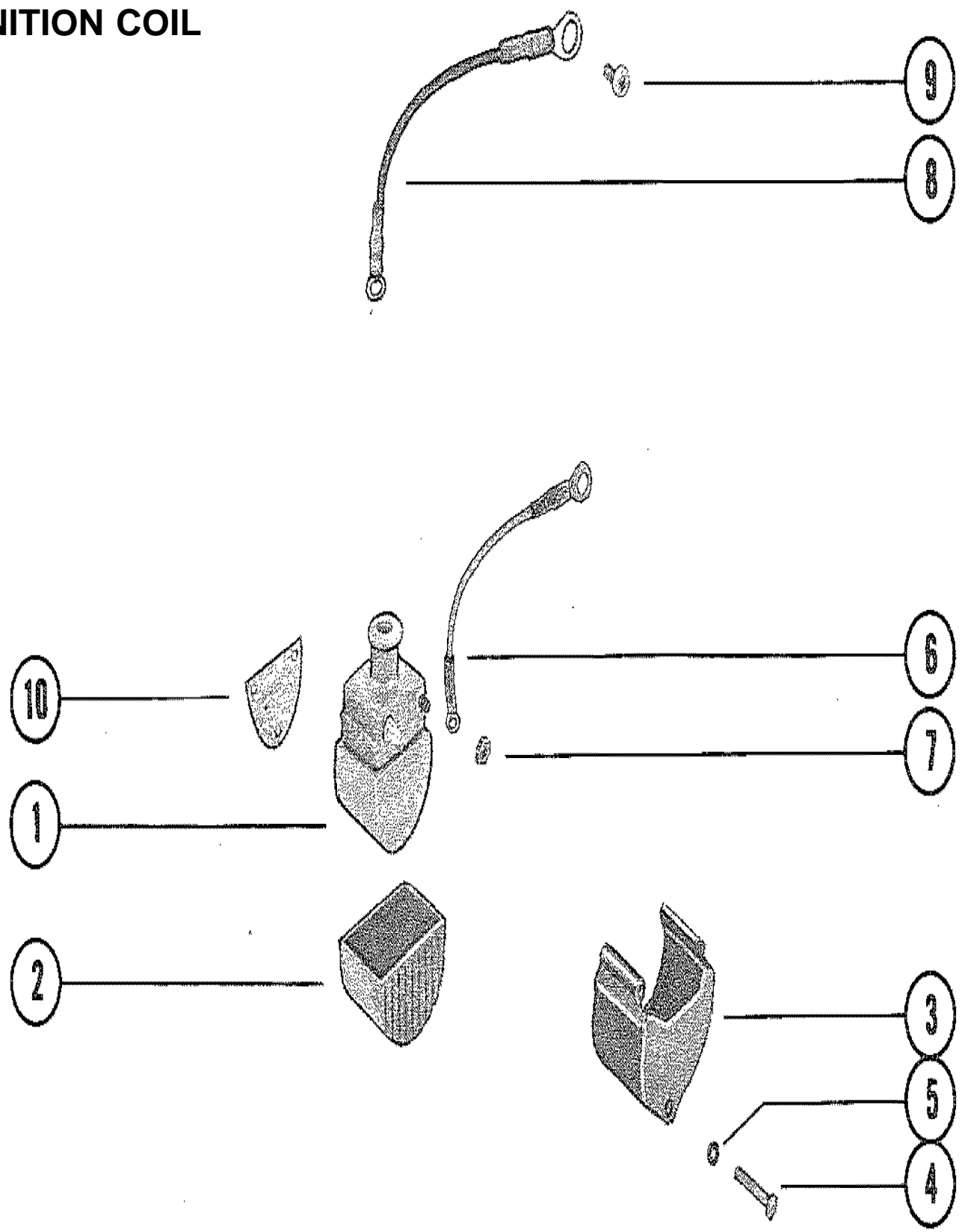
DISTRIBUTOR HOUSING AND ROTOR



DISTRIBUTOR HOUSING AND ROTOR

REF. NO.	PART NO.	SYM.	QTY.	DESCRIPTION
31	45392		1	BRACKET, FRON - WIRE RETAINER
32	47398		1	BRACKET, REAR - WIRE RETAINER
33	10-62568		4	SCREW, FRONT AND REAR BRACKET ATTACHING
34	45391		2	SPACER, RUBBER - HIGH TENSION LEADS
-	27-60476A75		0	GASKET SET

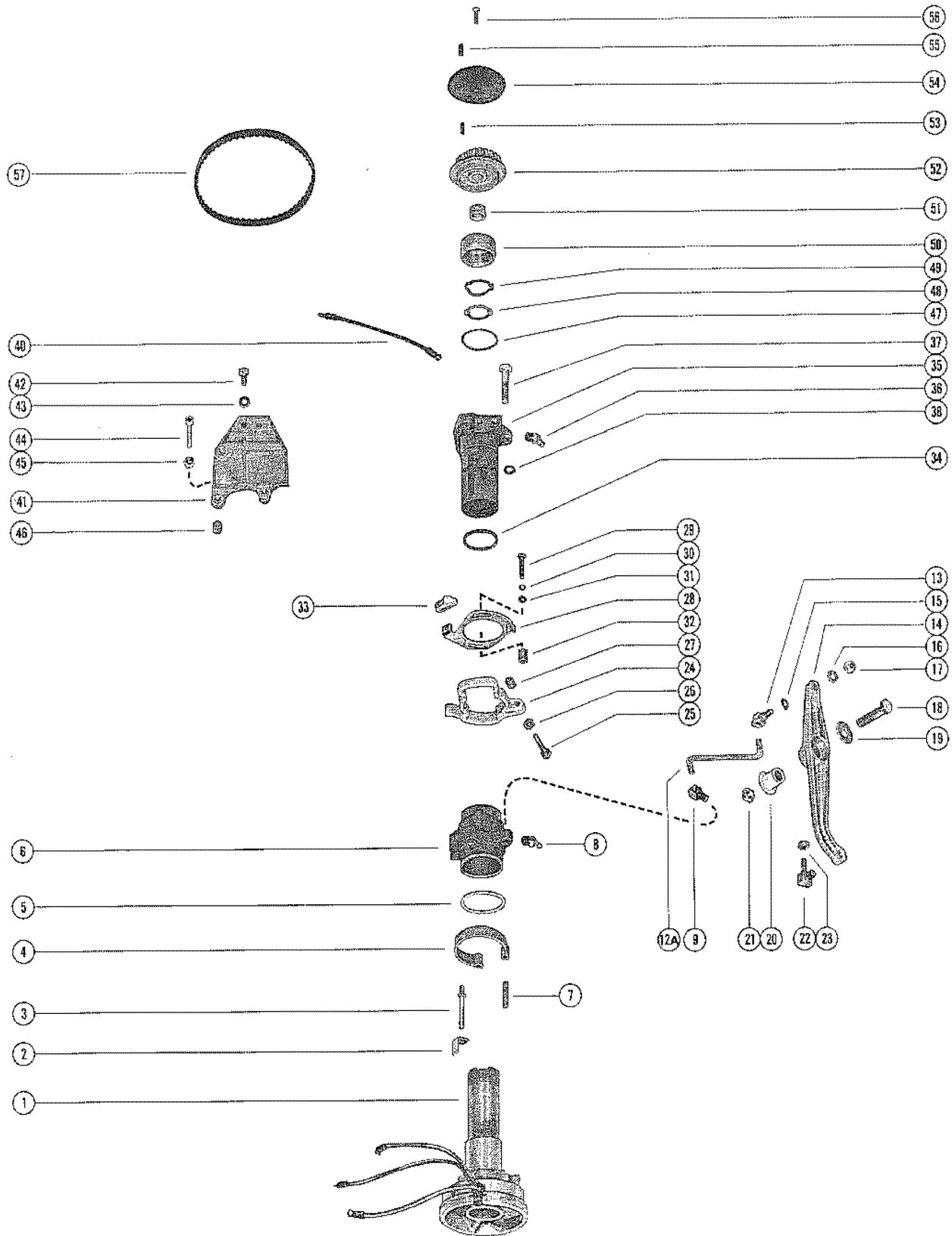
IGNITION COIL



IGNITION COIL

REF. NO.	PART NO.	SYM.	QTY.	DESCRIPTION
1	332-4895A2		1	IGNITION COIL ASSEMBLY
2	63194		1	PAD, RUBBER - IGNITION COIL
3	63195		1	COVER, IGNITION COIL
4	10-69046		3	SCREW, COIL TO CYLINDER BLOCK (2")
5	12-30164		3	WASHER, COIL SCREW
6	84-60466A1		1	CABLE ASSEMBLY
7	11-45076		2	NUT, IGNITION COIL TERMINAL (#10)
8	84-66054A2		1	CABLE ASSEMBLY, COIL TO SWITCH BOX
9	10-62568		1	SCREW, IGINTION COIL WIRE TO SWITCH BOX (3/8")
10	69190		1	PLATE, COIL MOUNTING

DISTRIBUTOR ADAPTOR AND VERTICAL LINKAGE

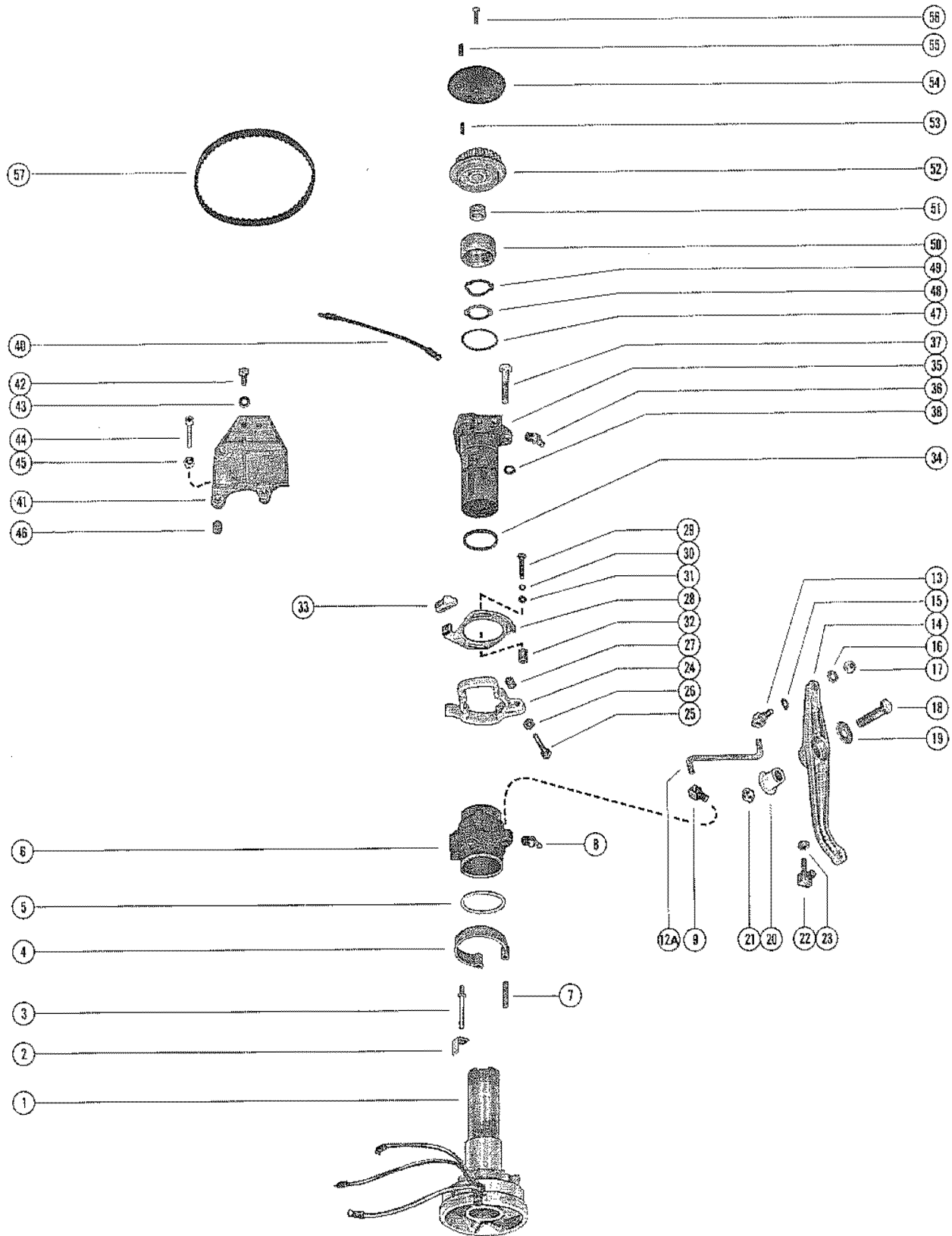


DISTRIBUTOR ADAPTOR AND VERTICAL LINKAGE

REF. NO.	PART NO.	SYM.	QTY.	DESCRIPTION
1	393-3736A77		1	HOUSING ASSEMBLY, DISTRIBUTOR
2	32197		1	STOP, SPARK ADVANCE - DISTRIBUTOR HOUSING
3	17-27962		1	PIN, ANCHOR SPRING - DISTRIBUTOR HOUSING
4	24-27944		1	SPRING, HORSESHOE - DISTRIBUTOR HOUSING
5	12-53540		1	WASHER ECONOMIZER COLLAR - DISTRIBUTOR HOUSING
6	55804A1		1	ECONOMIZER COLLAR ASSEMBLY
7	17-27961		1	PIN, ECONOMIZER COLLAR - SPRING RETAINER
8	22-25094		1	FITTING, GREASE - ECONOMIZER COLLAR
9	27947		1	SWIVEL, LINKAGE - ECONOMIZER COLLAR
12A	67469		1	ROD, LINK - UPPER
13	27948		1	SWIVEL UPPER LINK ROD TO THROTTLE CONTROL LEVER
14	78992		1	LEVER, THROTTLE CONTROL
15	13-39954		1	WASHER WAVE - THROTTLE CONTROL LEVER SWIVEL
16	12-29245		1	WASHER, THROTTLE CONTROL LEVER SWIVEL
17	11-35888		1	NUT, UPPER LINK ROD THROTTLE CONTROL LEVER
18	10-37559		1	SCREW THROTTLE LEVER TO EXHAUST COVER (1 3/4")
19	12-29395		1	WASHER, THROTTLE CONTROL LEVER SCREW
20	23-45818		1	BUSHING, THROTTLE CONTROL LEVER SCREW
21	11-20509		1	NUT, THROTTLE CONTROL LEVER SCREW
22	37587		1	SWIVEL LOWER - THROTTLE CONTROL LEVER TO THROTTLE CABLE
23	11-35888		1	NUT, THROTTLE CABLE TO LOWER SWIVEL
24	48692		1	COLLAR, THROTTLE ACTUATOR
25	10-48675		1	SCREW, ADJUSTING - THROTTLE ACTUATOR COLLAR (1 1/2")
26	11-64015		1	NUT, THROTTLE ACTUATOR COLLAR ADJUSTING SCREW
27	52023		1	CAP, NYLON - THROTTLE ACTUATOR COLLAR ADJUSTING SCREW
28	48671		1	PLATE, THROTTLE ACTUATOR
29	10-37892		2	SCREW THROTTLE ACTUATOR PLATE TO ECONOMIZER COLLAR (1")
30	12-30164		2	WASHER THROTTLE ACTUATOR PLATE FASTENING SCREW
31	13-26996		2	LOCKWASHER THROTTLE ACTUATOR PLATE FASTENING SCREW
32	23-48674		2	SPACER, THROTTLE ACTUATOR PLATE SCREW
33	58454		1	CAM, THROTTLE ACTUATOR PLATE
34	12-46246		1	WASHER, ADAPTOR - DISTRIBUTOR HOUSING
35	66165A2		1	ADAPTOR ASSEMBLY, DISTRIBUTOR
36	22-25094		1	FITTING, GREASE - DISTRIBUTOR ADAPTOR
37	10-20362		3	SCREW DISTRIBUTOR HOUSING TO CRANKCASE (1 1/2")
38	12-20084		3	WASHER, DISTRIBUTOR HOUSING SCREW
40	84-66008A1		1	WIRE GROUND - DISTRIBUTOR ADAPTOR TO FRONT SUPPORT BRACKET
41	55805		1	BRACKET, STOP
42	10-28636		2	SCREW DISTRIBUTOR ADAPTOR TO STOP BRACKET (3/4")

CONTINUED ON NEXT PAGE ➡

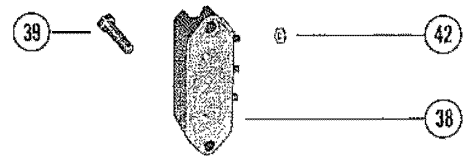
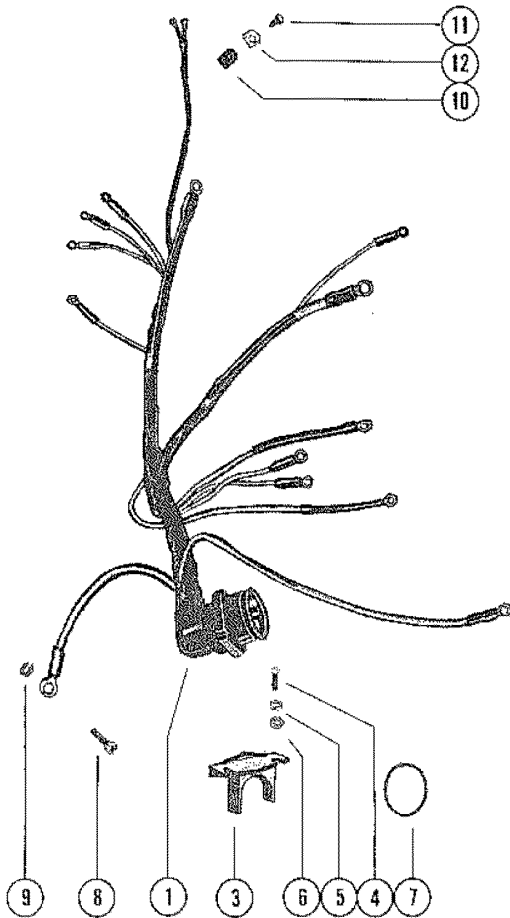
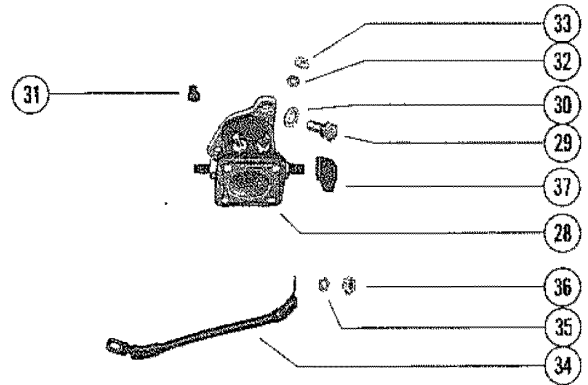
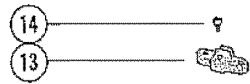
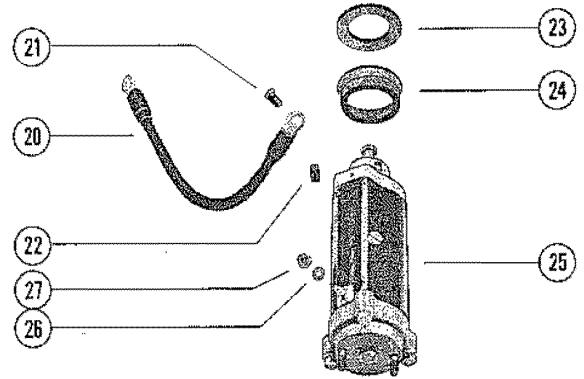
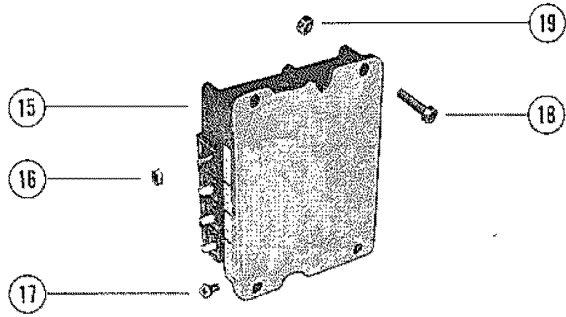
DISTRIBUTOR ADAPTOR AND VERTICAL LINKAGE



DISTRIBUTOR ADAPTOR AND VERTICAL LINKAGE

REF. NO.	PART NO.	SYM.	QTY.	DESCRIPTION
43	12-35462		2	WASHER, STOP BRACKET FASTENING SCREW
44	10-64022		3	SCREW, STOP BRACKET ADJUSTING (2 1/8")
45	11-64015		3	NUT, STOP BRACKET ADJUSTING SCREW
46	52023		3	CAP, NYLON - STOP BRACKET ADJUSTING SCREW
47	12-27939		1	WASHER, DISTRIBUTOR HOUSING
48	14-27960		1	TAB WASHER, ADAPTOR CAP FASTENING
49	13-27959		1	WASHER WAVE - DISTRIBUTOR BALL BEARING TENSION
50	54567		1	CAP, DISTRIBUTOR HOUSING
51	23-47250		1	SPACER, DRIVE PULLEY
52	29906A1		1	DRIVEN PULLEY ASSEMBLY
53	17-29908		1	PIN, ROLL - FLANGE LOCATING
54	29907		1	FLANGE, DRIVEN PULLEY
55	28-29910		1	KEY, DISTRIBUTOR DRIVER
56	10-68554		1	SCREW, PULLEY CLAMPING
57	20140		1	BELT, TIMING

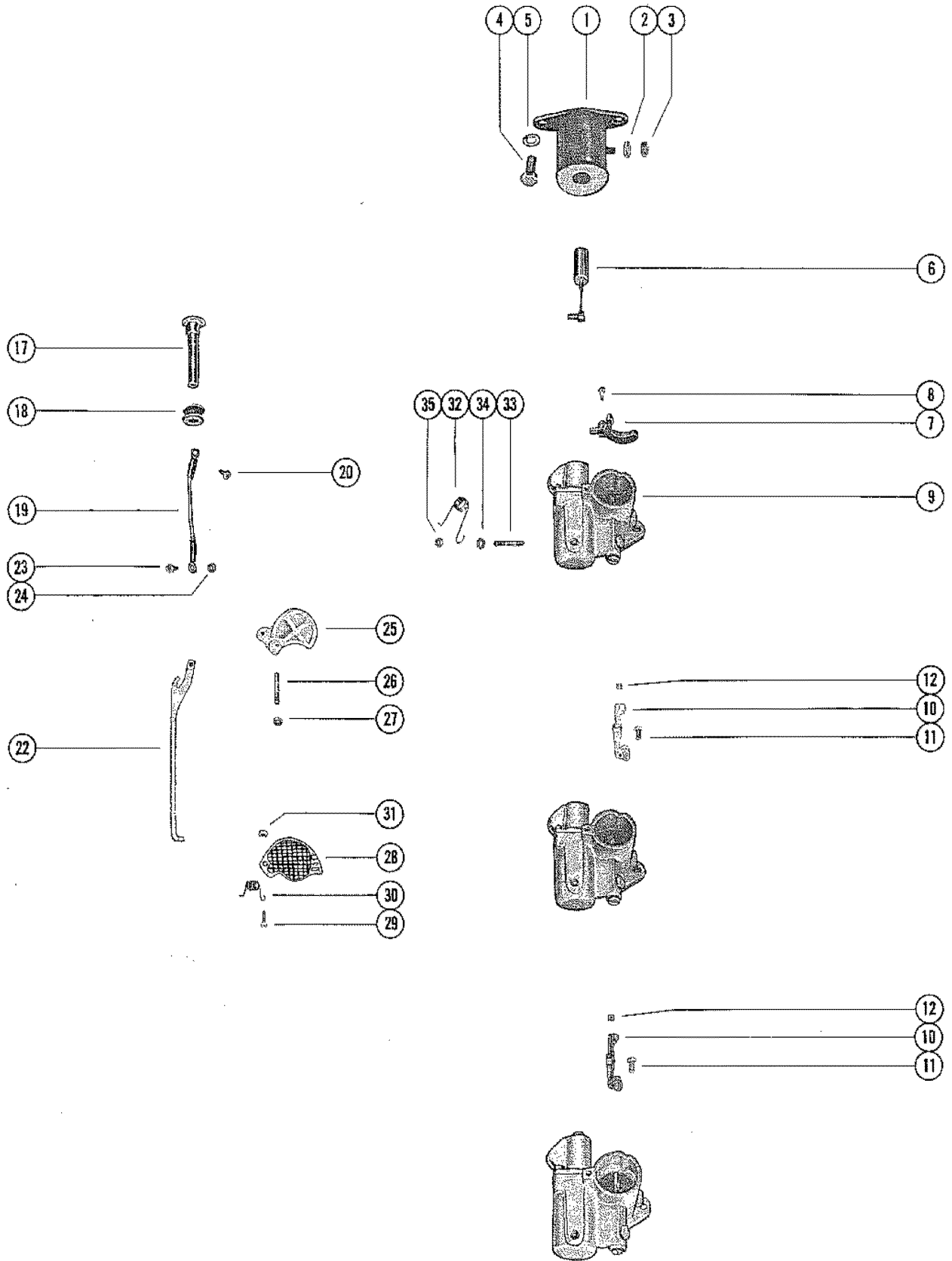
STARTER MOTOR, STARTER SOLENOID, RECTIFIER AND WIRING HARNESS



STARTER MOTOR, STARTER SOLENOID, RECTIFIER AND WIRING HARNES

REF. NO.	PART NO.	SYM.	QTY.	DESCRIPTION
1	84-69236		1	WIRING HARNESS, INTERNAL
3	54-76368		1	CLAMP, WIRING HARNESS TO BOTTOM COWL
4	10-69020		2	SCREW WIRING HARNESS CLAMP TO BOTTOM COWL (7/8")
5	13-26996		2	LOCKWASHER, WIRING HARNESS CLAMP SCREW
6	12-30164		2	WASHER, WIRING HARNESS CLAMP SCREW
7	24-28975		1	SPRING, GARTER - INTERNAL WIRING HARNESS
8	10-69052		1	SCREW, GROUND WIRE TO BOTTOM COWL
9	13-26992		1	LOCKWASHER, GROUND WIRE SCREW
10	54-26538		1	CLIP, STATOR LEADS TO BLOCK (1/8")
11	10-62568		1	SCREW WIRING HARNESS TO FRONT BRACKET (3/8")
12	69205		1	"D" WASHER, WIRING HARNESS CLIP SCREW
13	45559		1	TERMINAL BLOCK, STATOR LEADS
14	10-62568		4	SCREW,STATOR LEADS TO TERMINAL BLOCK (3/8")
15	332-2986A21		1	SWITCH BOX ASSEMBLY
16	11-45076		7	NUT, SWITCH BOX TERMINAL
17	10-29794		1	SCREW, SWITCH BOX (3/8")
18	10-64279		4	SCREW SWITCH BOX TO FRONT MOUNTING BRACKET (3/4")
19	11-46887		4	NUT, SWITCH BOX SCREW
20	54651		1	CABLE WIRE - STARTER MOTOR TO FRONT SUPPORT BRACKET
21	10-69035		1	SCREW, WIRE CABLE TO STARTER MOTOR
22	57247		2	STOP, RUBBE - STARTER MOTOR
23	23-56774		AR	SPACER, COLLAR TO TOP MOUNTING CAP
24	56703		2	COLLAR, RUBBER - STARTER MOTOR MOUNT
25	50-72467		1	STARTER MOTOR ASSEMBLY
26	13-26992		1	LOCKWASHER, STARTER MOTOR TERMINAL
27	11-64015		1	NUT, STARTER MOTOR TERMINAL
28	89-68258		1	SOLENOID, STARTER
29	10-38601		2	SCREW, SOLENOID TO BOTTOM COWL (5/8")
30	13-26992		2	LOCKWASHER STARTER SOLENOID FASTENING SCREW
31	26901		1	BUMPER, RUBBER - STARTER SOLENOID
32	13-26996		2	LOCKWASHER, SOLENOID TERMINAL (#10)
33	11-68219		2	NUT, SOLENOID TERMINAL (#10)
34	84-69237		1	CABLE, WIRE - STARTER MOTOR TO SOLENOID
35	13-26993		2	LOCKWASHER, SOLENOID TERMINAL (5/16")
36	11-68292		2	NUT, SOLENOIDD TERMINAL (5/16")
37	46265		1	BOOT, SOLENOID TERMINAL
38	62351A1		1	RECTIFIER ASSEMBLY
39	10-37656		2	SCREW, RECTIFIER TO FRONT BRACKET (5/8")
42	11-45076		3	NUT, STATOR LEADS TO RECTIFIER

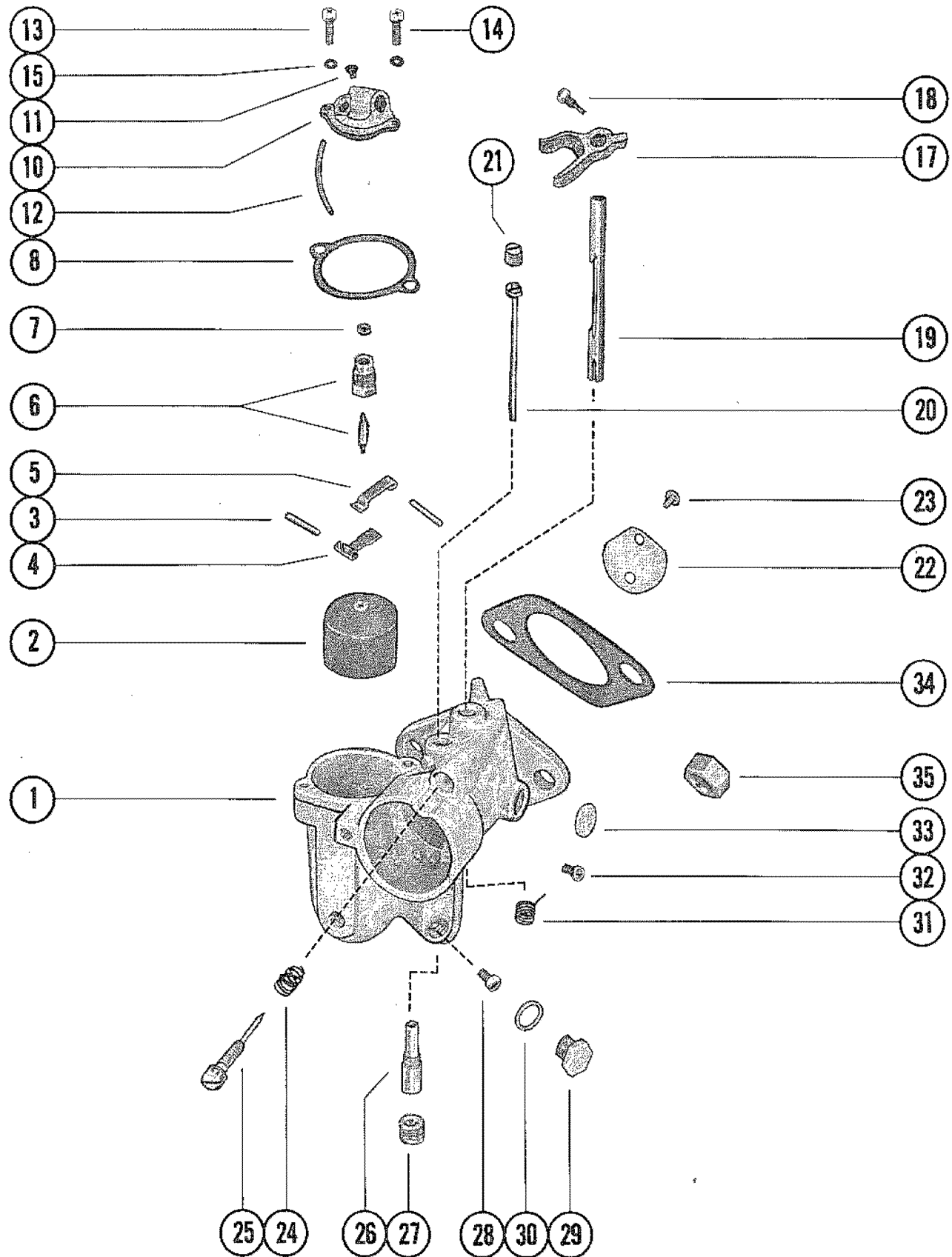
CARBURETOR LINKAGE AND CHOKE SOLENOID



CARBURETOR LINKAGE AND CHOKE SOLENOID

REF. NO.	PART NO.	SYM.	QTY.	DESCRIPTION
1	54293A4		1	CHOKE SOLENOID
2	13-26996		1	LOCKWASHER, SOLENOID TERMINAL
3	11-68219		1	NUT, SOLENOID TERMINAL
4	10-25299		2	SCREW, CHOKE SOLENOID (3/4")
5	13-26993		2	LOCKWASHER, CHOKE SOLENOID SCREW
6	54283A1		1	PLUNGER AND LINK ASSEMBLY, CHOKE SOLENOID
7	52518		1	CLUSTER THROTTLE LEVER (UPPER CARBURETOR)
8	10-20847		1	SCREW, CLUSTER TO THROTTLE LEVER
9	1368-5702A9		3	CARBURETOR ASSEMBLY, COMPLETE
10	53720A2		2	THROTTLE PICK-UP BRACKET ASSEMBLY
11	10-66104		2	SCREW, THROTTLE BRACKET MOUNTING
12	53665		2	INSERT, THROTTLE COUPLING
17	73755A1		1	KNOB, CHOKE ROD
18	25-20116		1	GROMMET, CHOKE ROD
19	49589		1	STRAP, CHOKE KNOB TO CHOKE ROD
20	10-76196		1	SCREW, STRAP TO CHOKE KNOB (5/8")
22	48203		1	ROD, CHOKE
23	10-48591		1	SCREW, STRAP TO CHOKE ROD (1/2")
24	11-46438		1	NUT, STRAP TO CHOKE ROD SCREW
25	48152		2	SHUTTER, CHOKE - CARBURETOR
26	16-69037		2	STUD, CARBURETOR - CHOKE SHUTTER PIVOT
27	11-20110		2	NUT, CHOKE SHUTTER TO CARBURETOR STUD
28	35-57819		3	SCREEN ASSEMBLY, FILTE - CARBURETOR
29	10-22523		1	SCREW LOWER CARBURETOR FILTER SCREEN TO CARB. (5/8")
	10-23015		2	SCREW UPPER CARBURETOR FILTER SCREEN TO CARB. (1")
30	24-57818		2	SPRING, UPPER FILTER SCREEN SCREW
31	11-20110		3	NUT CARBURETOR FILTER SCREEN FASTENING SCREW
32	24-48230		1	SPRING, CHOKE ROD TENSION
33	16-39937		1	STUD, CHOKE ROD SPRING TO CARBURETOR
34	23-32427		1	SPACER, CHOKE ROD SPRING STUD
35	11-46887		1	NUT, CHOKE ROD SPRING TO CARBURETOR STUD

CARBURETOR ASSEMBLY



CARBURETOR ASSEMBLY

REF. NO.	PART NO.	SYM.	QTY.	DESCRIPTION
1	1368-5702A9		3	CARBURETOR ASSEMBLY
2	1395-5353		3	FLOAT ASSEMBLY
3		■	6	PIN, FLOAT LEVER PINION
4		■	3	LEVER, FLOAT (LOWER)
5		■	3	LEVER, FLOAT (UPPER)
6	1395-4555		3	INLET NEDLE, SEAT AND GASKET
7		■▲	3	GASKET, INLET SEAT
8		■▲	3	GASKET, FLOAT BOWL COVER
10	1395-5680		3	COVER, FLOAT BOWL
11	1395-5733		3	JET, BOWL VENT
12	1395-5734		3	HOSE, ECONOMIZER
13	10-52195		3	SCREW, FLOAT BOWL COVER
14	1395-4804		3	SCREW, FLOAT BOWL COVER
15	13-26995		6	LOCKWASHER, FLOAT BOWL COVER SCREW
17	97-		3	LEVER, THROTTLE (SEE NOTE BELOW) USED ON CENTER AND LOWER CARBURETOR ONLY--REPLACED WITH A-52518 CLUSTER ON UPPER CARBURETOR
18	10-20847	■	3	SCREW, THROTTLE STOP LEVER
19	1399-3527		3	SHAFT, THROTTLE
20		■	3	TUBE IDLE
21	1395-4540		3	SCREW, BODY (IDLE TUBE)
22	1395-5108		3	SHUTTER, THROTTLE
23		■	6	SCREW AND LOCKWASHER, THROTTLE SHUTTER
24		■	3	SPRING, IDLE ADJUSTMENT SCREW
25		■	3	SCREW, IDLE ADJUSTMENT
26		■	3	NOZZLE, MAIN
27	1395-4542		3	SCREW, PLUG - MAIN NOZZLE
28	1399-3794		OPT	JET, MAIN FUEL (.074)
	1395-6207		OPT	JET, MAIN FUEL (.072)
	1395-6030	■	3	JET, MAIN FUEL (.070) - STANDARD
	1395-6029		OPT	JET, MAIN FUEL (.068)
29	195-4541		3	SCREW, PLUG - MAIN FUEL JET CHANNEL
30		■▲	3	GASKET, JET CHANNEL PLUG SCREW
31		■	3	SPRING, THROTTLE SHAFT RETURN
32	1395-4543		3	SCREW, BODY CHANNEL
33		■	3	WELCH PLUG, BODY CHANNEL
-	1395-4808	■	3	GASKET AND PACKING SET (1 PER CARBURETOR)
-	1395-7257		3	REPAIR PARTS KIT (1 PER CARBURETOR)
34	27-48164	●■▲	3	GASKET, CARBURETOR FLANGE
35	11-64809		6	NUT, CARBURETOR MOUNTING STUD
-	27-60476A75		0	GASKET SET

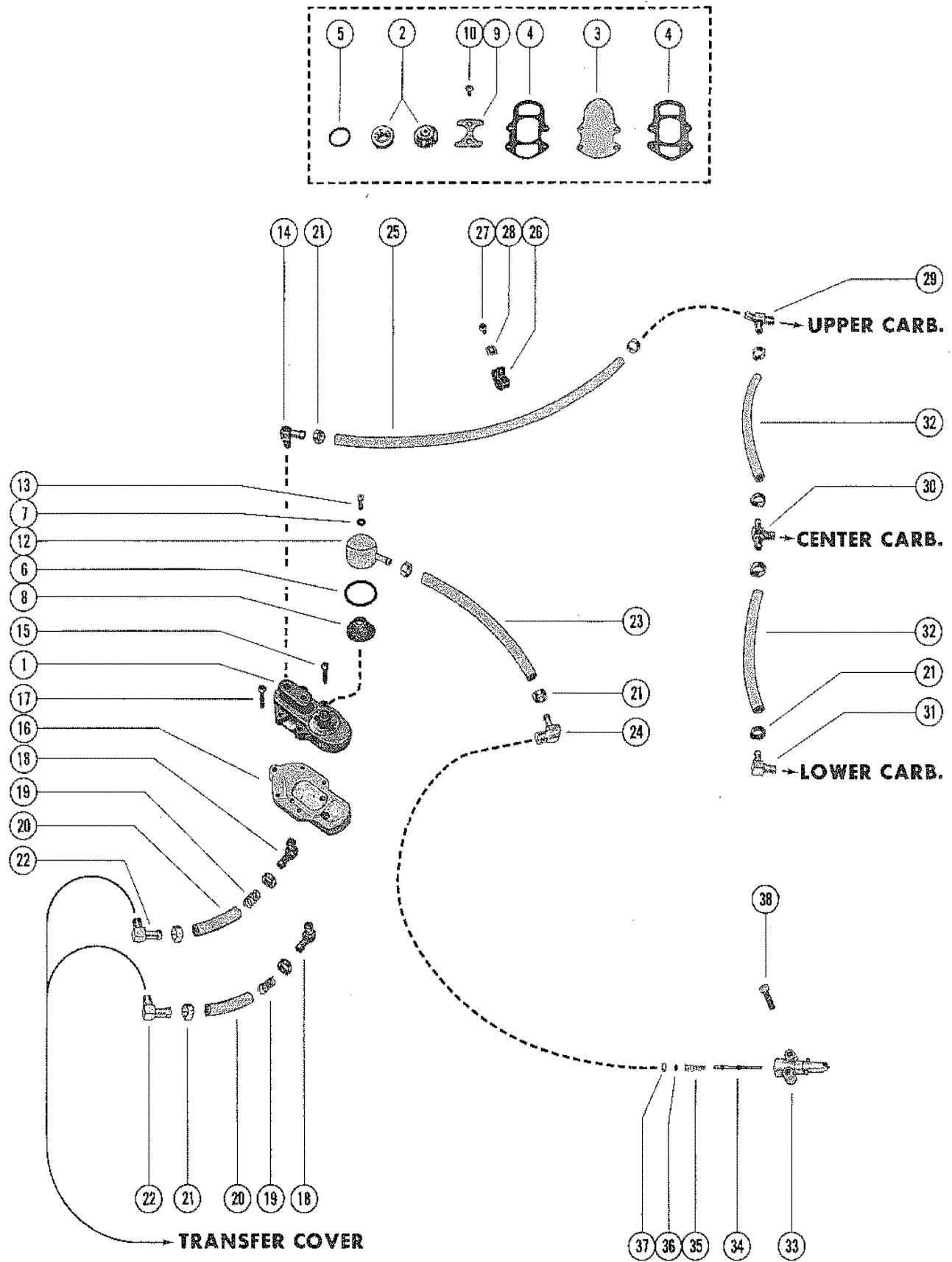
USED ON CENTER AND LOWER CARBURETOR ONLY--REPLACED WITH A-[52518] CLUSTER ON UPPER CARBURETOR
 FOR PLASTIC VENTURI ORDER A-[52106A1]

● = CONTENTS OF [27-60476A75] GASKET SET

■ = COMPONENT OF REPAIR PARTS KIT

▲ = COMPONENT OF GASKET AND PACKING SET

FUEL PUMP AND FUEL LINE ASSEMBLY

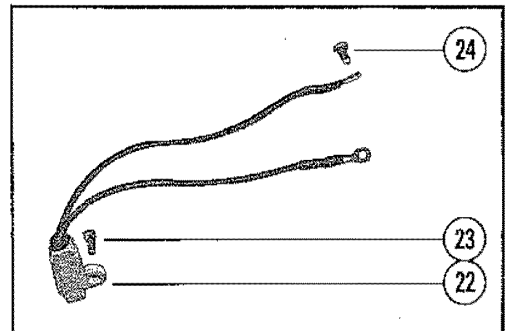
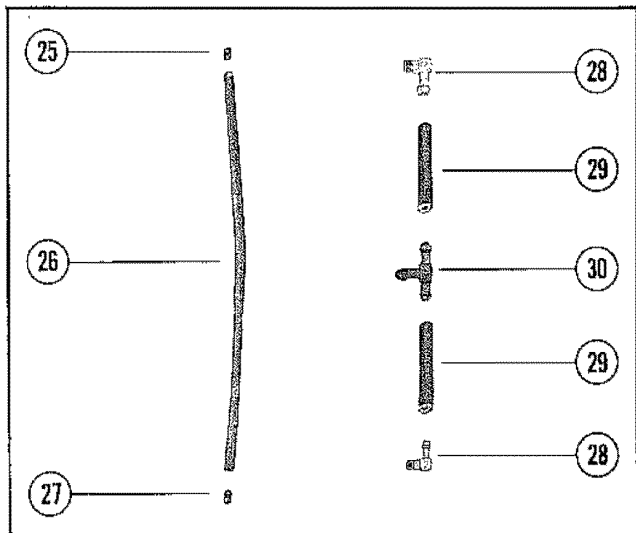
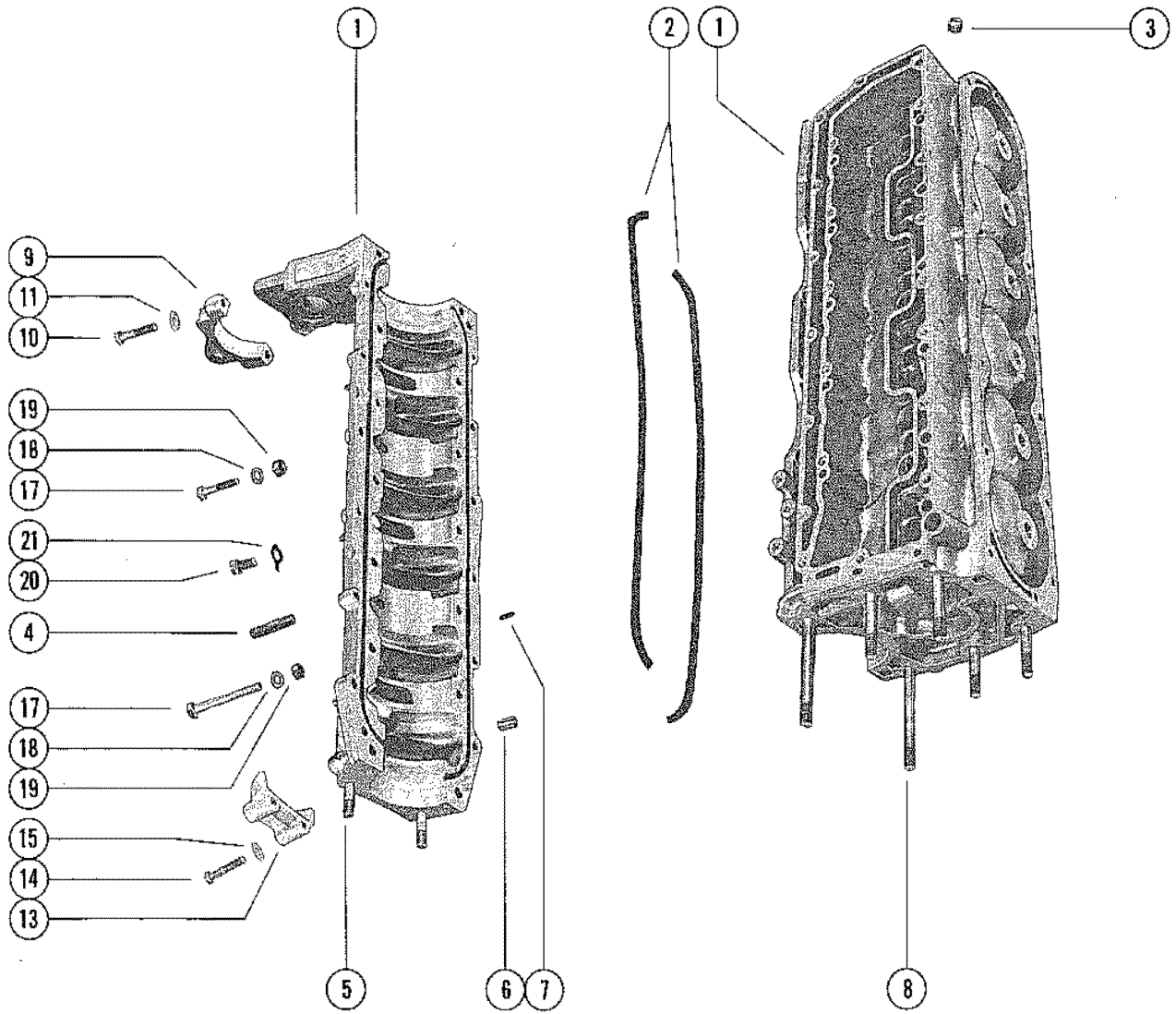


FUEL PUMP AND FUEL LINE ASSEMBLY

REF. NO.	PART NO.	SYM.	QTY.	DESCRIPTION
1	66530A2		1	FUEL PUMP ASSEMBLY
2	21-30430A7		1	CHECK VALVE ASSEMBLY
3	66599A1	●	1	DIAPHRAGM ASSEMBLY
4		●	2	GASKET, DIAPHRAGM
5		●	2	GASKET, CHECK VALVE
6		●	1	"O" RING, COVER TO HOUSING
7		●	1	GASKET, NYLON - FILTER COVER SCREW
8	35-59072	●	1	SCREEN, FILTER - INLET
9	23004		1	RETAINER, CHECK VALVE
10	10-20037		2	SCREW, RETAINER TO FUEL PUMP (1/4")
12	59071		1	COVER, FUEL INLET
13	10-37370		1	SCREW, COVER TO FUEL PUMP (5/8")
14	22-64704		1	FITTING, FUEL OUTLET
15	10-66686		2	SCREW, FUEL PUMP TOBASE (1")
16	66575		1	BASE, FUEL PUMP
17	10-66687		3	SCREW, FUEL PUMP TO BOTTOM COWL (1 1/2")
18	22-64704		2	FITTING, PULSE LINE (90 DEG.)
19	24-68434		2	SPRING, PULSE LINE
20	32-70432		2	PULSE LINE (3 1/4")
21	54-68424		12	CLAMP, FUEL LINE ATTACHING
22	22-64704		2	FITTING, PULSE LINE TO TRANSFER COVER (90 DEG.)
23	32-70432		1	FUEL LINE, ADAPTOR TO FUEL PUMP (6 3/4")
24	22-63981		1	ELBOW, FUEL LINE TO ADAPTOR
25	32-70432		1	FUEL LINE FUEL PUMP TO UPPER CARBURETOR (15 3/4")
26	54-22627		1	CLIP, FUEL LINE ATTACHING
27	10-62568		1	SCREW, FUEL LINE CLIP (3/8")
28	69205		1	"D" WASHER, FUEL LINE CLIP SCREW
29	22-66328		1	FITTING, TEE - UPPER CARBURETOR
30	22-64706		1	FITTING, TEE - CENTER CARBURETOR
31	22-64704		1	FITTING, ELBOW - LOWER CARBURETOR
32	32-70432		2	FUEL LINE CARBURETOR TO CARBURETOR (6 1/4")
33	22833		1	ADAPTOR, CHECK UNIT (FUEL LINE)
34	23069		1	STEM, CHECK UNIT ADAPTOR
35	24-23067		1	SPRING, ADAPTOR STEM
36	25-20415	●	1	"O" RING, ADAPTOR STEM
37	30188		1	CUP WASHER, ADAPTOR
38	10-69029		2	SCREW, ADAPTOR TO BOTTOM COWL (1 3/4")
-	27-60476A75		0	GASKET SET

● = CONTENTS OF [27-60476A75] GASKET SET

CYLINDER BLOCK AND CRANKCASE ASSEMBLY

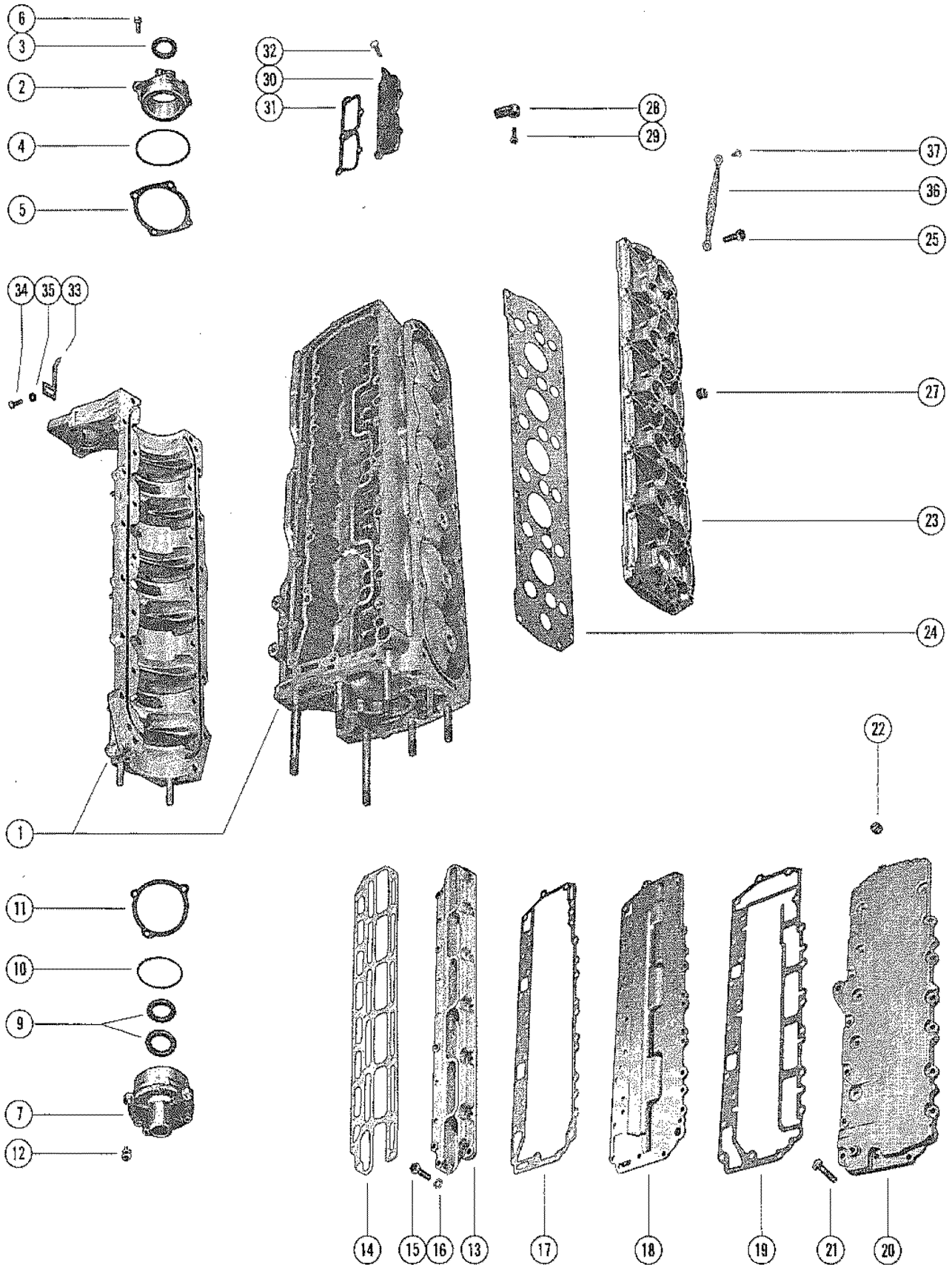


CYLINDER BLOCK AND CRANKCASE ASSEMBLY

REF. NO.	PART NO.	SYM.	QTY.	DESCRIPTION
1	852-6622A3		1	CYLINDER BLOCK AND CRANKCASE ASSEMBLY
2	27-53862	●	2	GASKET, CRANKCASE TO CYLINDER BLOCK
3	66517		5	RESTRICTOR, CRANKCASE BLEED
4	16-64280		6	STUD, CARBURETOR MOUNTING (1 3/16")
5	16-64281		2	STUD CRANKCASE TO EXHAUST EXTENSION PLATE (1 7/8")
6	17-20033		2	PIN, DOWEL - CRANKCASE TO CYLINDER BLOCK
7	17-63779		3	PIN, DOWEL - CYLINDER BLOCK TO MAIN BEARING
8	16-64282		6	STUD CYLINDER BLOCK TO DRIVE SHAFT HOUSING PALTE (4")
9	56029		1	COVER, STARTER MOTOR BRACKET - TOP
10	10-69762		1	SCREW, TOP COVER ATTACHING (1 3/8")
	10-69267		1	SCREW, TOP COVER ATTACHING (1 3/4")
11	13-26993		2	LOCKWASHER, TOP COVER SCREWS
13	76867		1	COVER, STARTER MOTOR BRACKET - BOTTOM
14	10-69268		2	SCREW, BOTTOM ATTACHING (1 7/8")
15	13-26993		2	LOCKWASHER, BOTTOM COVER SCREW
17	10-57841		3	SCREW, CRANKCASE TO CYLINDER BLOCK (2 3/4")
	10-32293		4	SCREW, CRANKCASE TO CYLINDER BLOCK (1 3/4")
	10-73657		20	SCREW, CRANKCASE TO CYLINDER BLOCK (1 1/2")
18	12-22753		25	WASHER CRANKCASE TO CYLINDER BLOCK SCREWS
19	11-29250		4	NUT CRANKCASE TO CYLINDER BLOCK SCREWS (LOWER)
20	10-20359		2	SCREW, CENTER MAIN BEARING LOCKING
21	14-20091		2	TAB WASHER, BEARING LOCKING SCREW
22	58124A4		1	SWITCH, MERCURY
23	10-69235		1	SCREW SWITCH TO FRONT MOUNTING BRACKET (1/2")
24	10-62568		1	SCREW, MERCURY SWITCH LEAD
25	21-77560		1	CHECK VALVE, BLEED HOSE - UPPER
26	32-54936		1	HOSE, BLEED (22")
27	21-77561		1	CHECK VALVE, BLEED HOSE - LOWER
28	22-20781		2	ELBOW, BALANCE HOSE
29	32-34395A1		2	HOSE, BALANCE - MAIN BEARING (6 1/4")
30	22-78742		1	TEE, BALANCE HOSE
-	26-60476A75		0	GASKET SET

FOR REPLACEMENT OF POWERHEAD ASSEMBLY, COMPLETE, WHICH INCLUDES CYLINDER BLOCK AND CRANKCASE, PISTONS, CONNECTING RODS AND BEARINGS, ETC. ORDER POWERHEAD ASSEMBLY A-[78911A78]
 ● = CONTENTS OF [27-60476A75] GASKET SET

END CAP, MANIFOLD AND EXHAUST COVERS

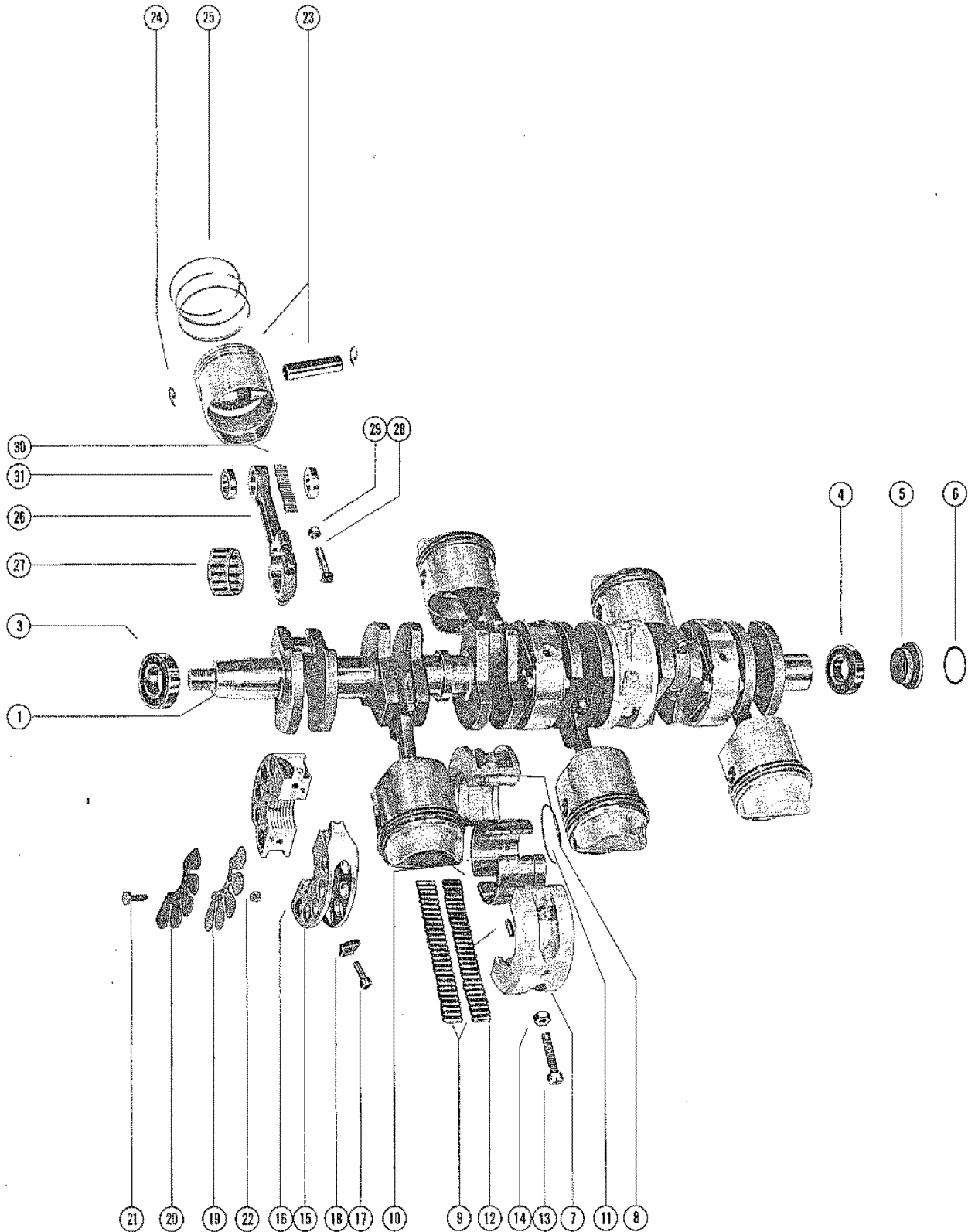


END CAP, MANIFOLD AND EXHAUST COVERS

REF. NO.	PART NO.	SYM.	QTY.	DESCRIPTION
1	852-6622A3		1	CYLINDER BLOCK AND CRANKCASE ASSEMBLY
2	1134-3197A1		1	END CAP ASSEMBLY
3	26-29476		1	OIL SEAL, END CAP
4	25-47254	●	1	"O" RING
5	15-47248A1		AR	SHIM, END CAP TO CRANKCASE (.006-8-10)
6	10-69034		4	SCREW, END CAP MOUNTING
7	1148-5410A1		1	END CAP ASSEMBLY, LOWER
9	26-29476		2	OIL SEAL, END CAP
10	25-32546	●	1	"O" RING, END CAP
11	15-20085A1		AR	SHIM, END CAP TO CRANKCASE (.002-3-5-10)
12	10-69034		3	SCREW, END CAP MOUNTING (1")
13	71808		1	COVER, WATER JACKET - CYLINDER BLOCK
14	27-72142	●	1	GASKET, WATER JACKET COVER
15	10-53167		23	SCREW WATER JACKET COVER TO CYLINDER BLOCK (7/8")
16	12-70132		23	WASHER WATER JACKET COVER FASTENING SCREW
17	27-72507	●	1	GASKET, CYLINDER BLOCK TO BAFFLE PLATE
18	75778		1	PLATE, BAFFLE - EXHAUST MANIFOLD
19	27-72509	●	1	GASKET BAFFLE PLATE TO EXHAUST MANIFOLD COVER
20	79019		1	COVER, EXHAUST MANIFOLD
21	10-53576		24	SCREW, MANIFOLD COVER MOUNTING
22	22-32802		1	PLUG, PIPE - EXHAUST MANIFOLD COVER
23	1023-5070		1	COVER, CYLINDER BLOCK
24	27-72506	●	1	GASKET, CYLINDR BLOCK COVER
25	10-69100		16	SCREW.COVER MOUNTING (1")
27	22-68307		1	PLUG, PIPE - CYLINDER BLOCK COVER
28	37440		1	BRACKET, MOUNT SUPPORT - CYLINDER LBOCK
29	10-24234		1	SCREW, BRACKET TO CYLINDER BLOCK (1")
30	62301		2	COVER, TRANSFER PORT (TOP/MIDDLE)
	66094		1	COVER, TRANSFER PORT (BOTTOM)
31	27-64941	●	1	GASKET, TRANSFER PORT COVER
32	10-69100		16	SCREW, TRANSFER PORT COVER MOUNTING (1")
	10-28636		11	SCREW TRANSFER PORT COVER MOUNTING (3/4")
33	76367		1	POINTER, TIMING
34	10-28636		1	SCREW, TIMING POINTER ATTACHING (3/4")
35	12-35462		1	WASHER, TIMING POINTER SCREW
36	46933A3		2	GROUNG STRAP ASSEMBLY, EXHAUST COVER
37	10-62568		2	SCREW, GROUNG STRAP ATTACHING (3/8")
-	27-60476A75		0	GASKET SET

● = CONTENTS OF [27-60476A75] GASKET SET

CRANKSHAFT, PISTONS AND CONNECTING RODS



CRANKSHAFT, PISTONS AND CONNECTING RODS

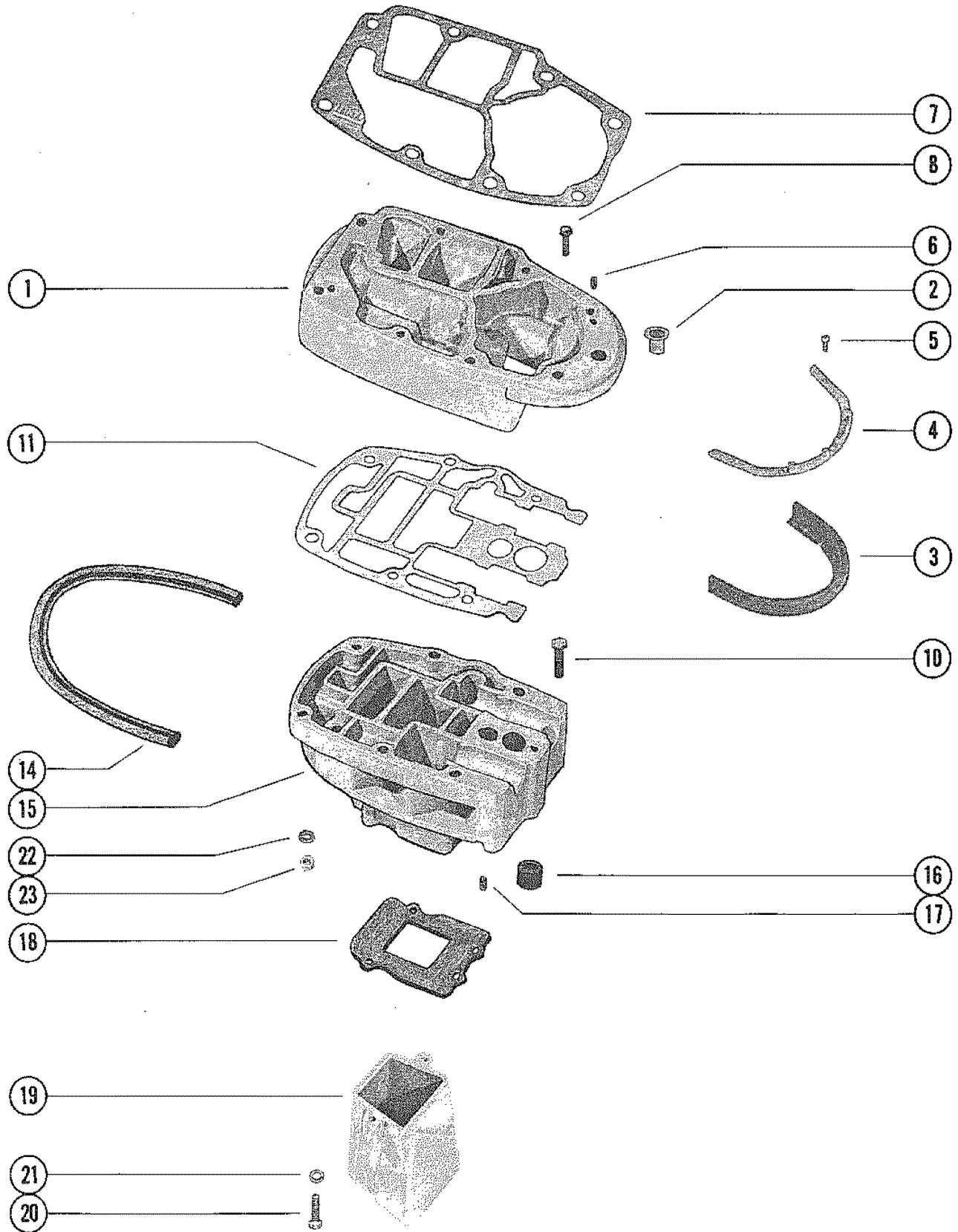
REF. NO.	PART NO.	SYM.	QTY.	DESCRIPTION
1	436-6646A2		1	CRANKSHAFT ASSEMBLY
3	30-62567		1	BEARING, BALL - UPPER
4	30-63742		1	BEARING, BALL - LOWER
5	54196A6		1	CARRIER ASSEMBLY, "O" RING
6	65800	●	1	"O" RING, CARRIER
7	535-5397A4		2	CENTER MAIN BEARING ASSEMBLY
8	17-20032		4	DOWL PIN, CENTER MAIN BEARING
9	29-52168		112	BEARING, NEEDLE - OUTER RACE
10	26113		2	RACE, OUTER (PAIR)
11	53-26933		2	RING, SNAP - OUTER RACE
12	17-47246		2	DOWEL PIN, STEPPED
13	10-22968		4	SCREW, CENTER MAIN BEARING CLAMPING
14	11-46887		4	NUT, BEARING CLAMPING SCREW
15	540-5266A5		3	MAIN BEARING ASSEMBLY, VALVE TYPE
16	17-20032		6	DOWEL PIN, MAIN BEARING
17	10-45775		6	SCREW, MAIN BEARING CLAMPING
18	11-45774		6	NUT, MAIN BEARING CLAMPING SCREW
19	34-56007A1		3	REED SET, MATCHED - MAIN BEARING
20	34-56008		12	REED STOP, MAIN BEARING REED VALVES
21	10-62204		30	SCREW, REED STOP MOUNTING
22	11-53153		30	NUT, REED STOP SCREW
23	745-6661A4		6	PISTON AND PISTON PIN ASSEMBLY
24	40-52035		12	LOCK RING, PISTON PIN
25	39-78816A12		2	RING, PISTON
26	622-4850A3		6	CONNECTING ROD AND CAP ASSEMBLY
27	31-62596A1		6	BEARING ASSEMBLY, CRANKPIN
28	10-54803		12	SCREW, CONNECTING ROD
29	11-49091		12	NUT, CONNECTING ROD SCREW
30	29-47270		174	BEARING, NEEDLE - PISTON PIN
31	12-47247		12	WASHER, NEEDLE LOCATING
-	745-6696A2		6	PISTON AND PISTON ASSEMBLY .015 OVERSIZE PISTONS AND RINGS
-	39-78811A12		2	RING, PISTON .015 OVERSIZE PISTONS AND RINGS
-	27-60476A75		0	GASKET SET

● = CONTENTS OF [27-60476A75] GASKET SET

BOTTOM COWL AND SHIFT LINKAGE

REF. NO.	PART NO.	SYM.	QTY.	DESCRIPTION
1	2115-6462		1	COWL, BOTTOM
2	52862A2		1	DRIP TRAY ASSEMBLY, BOTTOM COWL
3	37940		1	PAD, SOUND - DRIP TRAY
4	10-48408		4	SCREW, DRIP TRAY TO BOTTOM COWL (1/2")
5	32-34395A1		1	HOSE, DRIP TRAY TO BOTTOM COWL (8")
6	39616		1	BOOT, CONTROL CABLES - BOTTOM COWL
7	76369		1	SPACER, BOTTOM COWL (COWL FRONT COVER)
8	10-48591		2	SCREW, SPACER TO BOTTOM COWL (1/2")
9	37637		1	BOOT, FUEL CONNECTOR - BOTTOM COWL
10	37445		1	SUPPORT, WIRING HARNESS - BOTTOM COWL
11	10-69029		2	SCREW, SUPPORT TO BOTTOM COWL (1 3/4")
13	32-34395A1		1	HOSE TELL TALE - EXHAUST COVER TO BOTTOM COWL (21 1/2")
14	52889		1	NOZZLE, TELL TALE HOSE TO BOTTOM COWL
15	10-48408		1	SCREW TELL TALE NOZZLE TO BOTTOM COWL (1/2")
16	22-78279		1	ELBOW, TELL TALE HOSE TO CYLINDER BLOCK
17	60304A54		1	SHIFT SHAFT ASSEMBLY, UPPER
18	23-26600		1	BUSHING, SHIFT SHAFT
20	48047A1		1	LINK ROD ASSEMBLY
21	12-35462		2	WASHER, LINK ROD
22	11-36069		2	NUT, LINK ROD
23	13-29720		1	WASHER, WAVE - LINK ROD
24	52732		1	BRACKET, ANCHOR - CONTROL CABLES
25	39519		1	CAP, BARREL RETAINER - ANCHOR BRACKET
26	39618		1	LEVER, NYLON - SHIFT CABLE LOCKING
27	17-47175		3	PIN, LOCKING LEVER AND COVER FASTENING
28	39667		1	COVER, NYLON - SHIFT CABLE
29	65799		1	LINK, LOCKING LEVER TO COVER
30	10-24234		3	SCREW ANCHOR BRACKET TO CYLINDER BLOCK (1")
31	24-20099		1	SPRING, LINK ROD TO GUIDE BLOCK
32	37896		1	GUIDE BLOCK, LINK ROD
33	52100		1	WEAR PLATE, LINK ROD
34	38279		1	LATCH CONTROL CABLE FASTENING - ANCHOR BRACKET

EXHAUST EXTENSION PLATE

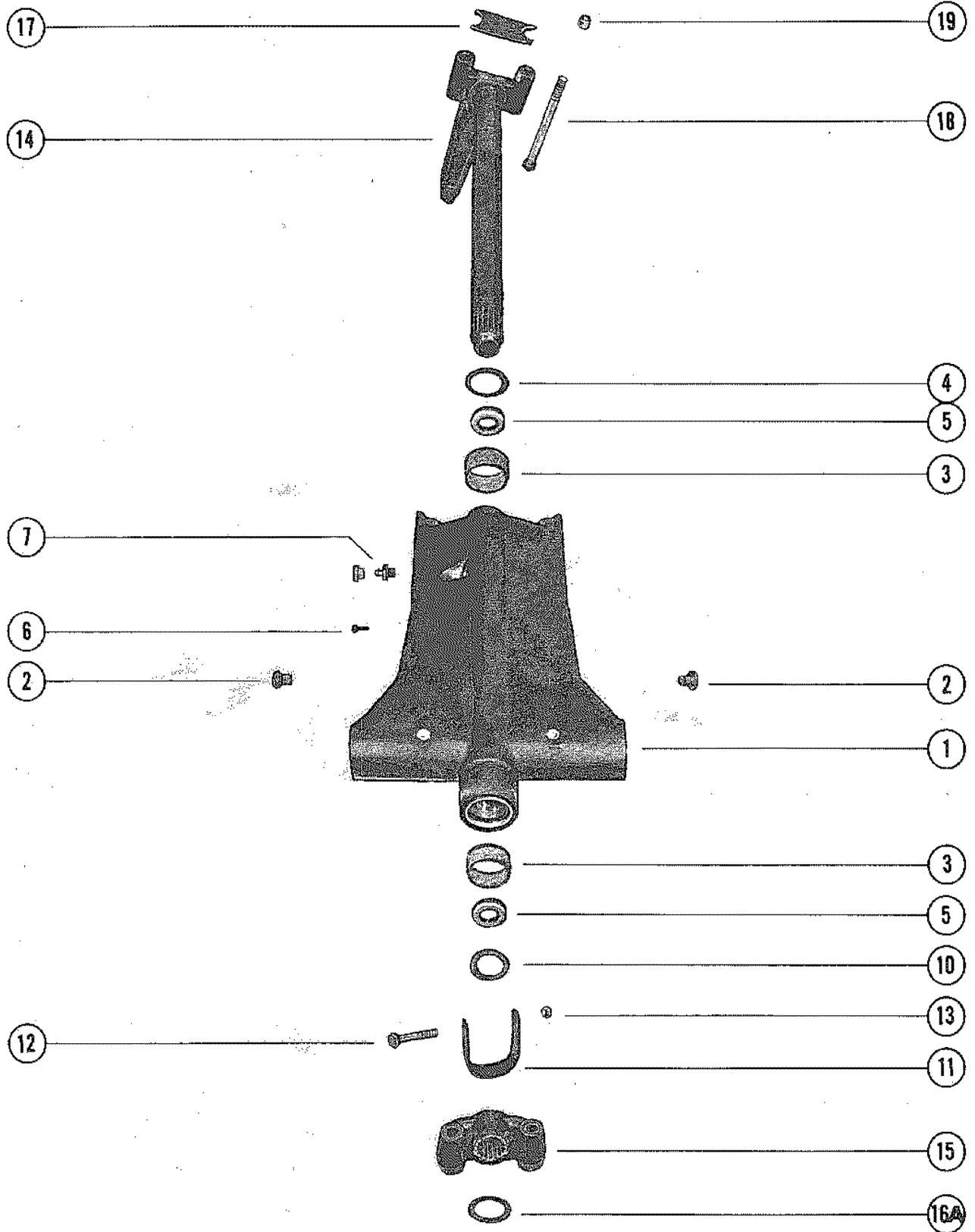


EXHAUST EXTENSION PLATE

REF. NO.	PART NO.	SYM.	QTY.	DESCRIPTION
1	66096A1		1	PLATE ASSEMBLY, EXHAUST EXTENSION
2	23-27132		1	BUSHING,NYLON - EXHAUST EXTENSION PLATE
3	37918		1	SEAL, EXHAUST EXTENSION PLATE
4	38032		1	STRIP RETAINING - EXHAUST EXTENSION PLATE SEAL
5	10-37571		5	SCREW SEAL AND RETAINING STRIP TO EXT. PLATE (1/2")
6	17-23784		2	DOWEL PIN, EXHAUST EXTENSION PLATE
7	27-69238	●	1	GASKET, POWERHEAD TO EXTENSION PLATE
8	10-66023		2	SCREW, ADAPTOR PLATE TO HOUSING PLATE (2")
10	10-66023		7	SCREW HOUSING PLATE TO DRIVE SHAFT HSG. (2")
11	27-66102	●	1	GASKET, PLATE TO DRIVE SHAFT HSG. PLATE
14	26-60898		1	SEAL, DRIVE SHAFT HOUSING PLATE
15	74257A3		1	PLATE ASSEMBLY, DRIVE SHAFT HOUSING
16	26-38970	●	1	SEAL, RUBBER - WATER INLET TUBE
17	17-23784		2	DOWEL PIN, DRIVE SHAFT HOUSING PLATE
18	27-62362	●	1	GASKET MEGAPHONE TO DRIVE SHAFT HOUSING PLATE
19	60437		1	MEGAPHONE, EXHAUST
20	10-60480		3	SCREW MEGAPHONE TO DRIVE SHAFT HOUSING PLATE (1 1/8")
21	12-29245		3	WASHER, MEGAPHONE SCREW
22	12-25970		6	WASHER, POWERHEAD STUD
23	11-34932		6	NUT, POWERHEAD STUD
-	27-60476A75		0	GASKET SET

● = CONTENTS OF [27-60476A75] GASKET SET

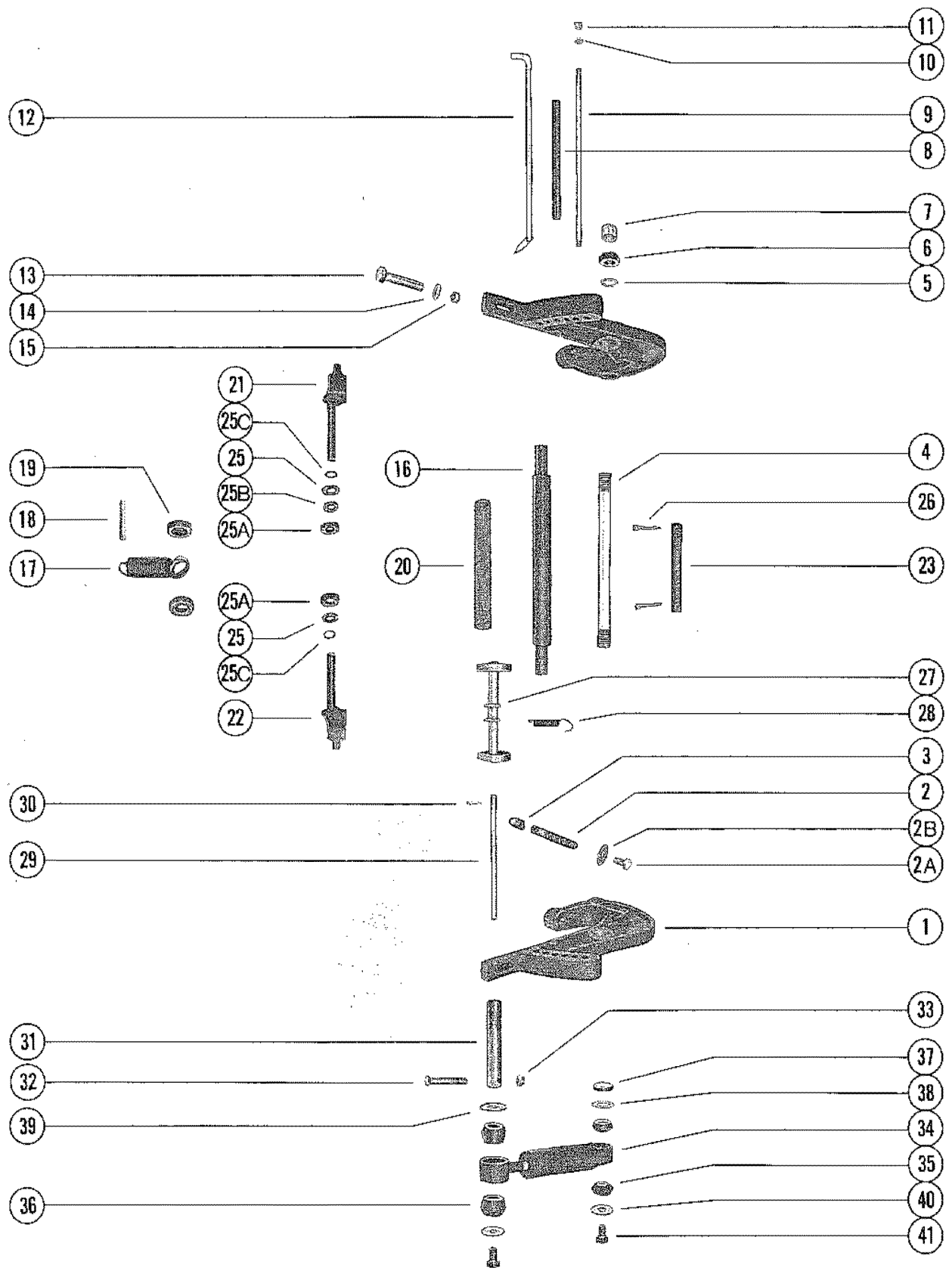
SWIVEL BRACKET ASSEMBLY



SWIVEL BRACKET ASSEMBLY

REF. NO.	PART NO.	SYM.	QTY.	DESCRIPTION
1	1482-6386A4		1	SWIVEL BRACKET ASSEMBLY
2	23-69132		2	BUSHING, REVERSE LOCK PIVOT SHAFT
3	23-69341		2	BUSHING, SWIVEL BRACKET
4	12-69342		1	WASHER, SWIVEL - UPPER
5	26-37448		2	OIL SEAL, SWIVEL BRACKET
6	10-47828		1	SCREW, DRIVE - SWIVLE BRACKET
7	22-74036		4	FITTING, GREASE - SWIVEL BRACKET
10	12-69380		1	WASHER, SWIVEL PIN - LOWER
11	28205		1	STRAP STOP DRIVE SHAFT HOUSING TO SWIVEL BRACKET
12	10-28200		1	SCREW STRAP STOP TO DRIVE SHAFT HOUSING (2 7/8")
13	11-25269		1	NUT, STRAP STOP FASTENING SCREW
14	17-73593A1		1	SWIVEL PIN AND ARM ASSEMBLY
15	73984		1	YOKE, BOTTOM
16A	53-73591		1	RETAINING RING, BOTTOM YOKE ATTACHING
17	28203		1	BUMPER, STEERINGARM
18	10-49554		2	BOLT STEERING ARM TO UPPER MOUNT (5 7/8")
19	11-34933		2	NUT, STEERING ARM BOLT FASTENING

CLAMP BRACKET AND REVERSE LOCK



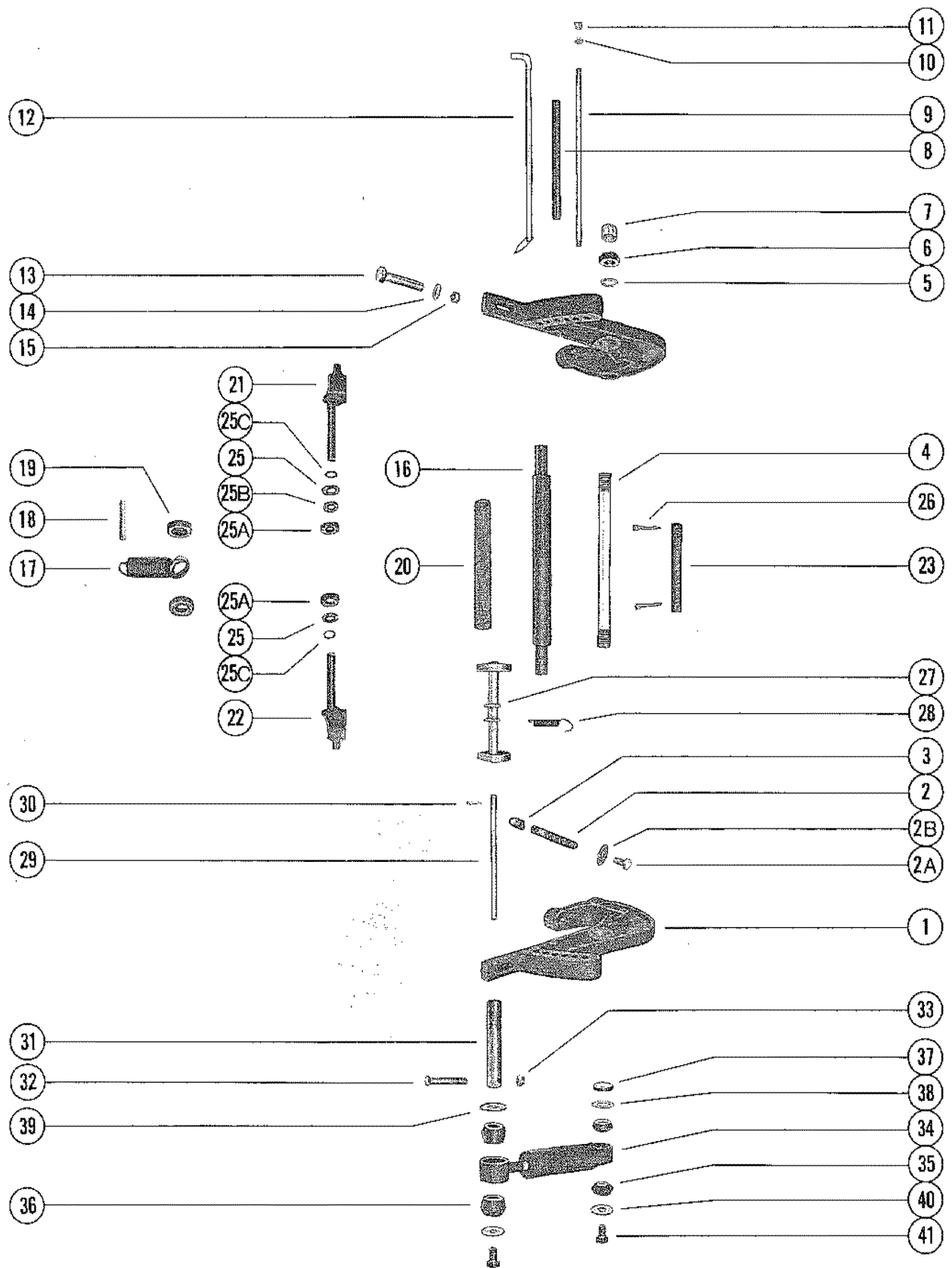
CLAMP BRACKET AND REVERSE LOCK

REF. NO.	PART NO.	SYM.	QTY.	DESCRIPTION
1	1440-6625A3		2	CLAMP BRACKET ASSEMBLY
2	10-78492A1		2	THUMB SCRW ASSEMBLY
2A	10-78495		2	SCREW, WASHER ATTACHING
2B	12-78493		2	WASHER, THUMB SCREW
3	75043		2	CAP, THUMB SCREW
4	74528		1	TUBE, TILT - CLAMP BRACKET TO SWIVEL BRACKET
5	12-52864		2	WASHER, CLAMP BRACKET TILT TUBE
6	11-56041		2	NUT, TILT TUBE FASTENING
7	53078		2	CAP, PLASTIC - TILT TUBE
8	23-59624		1	SPACER, CLAMP BRACKET STUD
9	16-59625		1	STUD CLAMP BRACKET (NOT USED WITH FULL POWER TRIM)
10	13-26993		2	LOCKWASHER, CLAMP BRACKET STUD
11	11-28770		2	NUT, CLAMP BRACKET STUD
12	17-49930A1		1	TILT LOCK PIN ASSEMBLY (NOT USED WITH FULL POWER TRIM)
13	10-68298		2	BOLT CLAMP BRACKET TO BOAT TRANSOM (LOWER)
	10-68299		2	BOLT CLAMP BRACKET TO BOAT TRANSOM (UPPER)
14	12-68410		2	WASHER, CLAMP BRACKET BOLT (LOWER)
	12-68300		2	WASHER, CLAMP BRACKET BOLT (UPPER)
15	11-68411		4	NUT, CLAMP BRACKET BOLT
16	55-28416		1	PIN, UPPER SHOCK MOUNTING
17	24-28659		1	SPRING, COIL - SWIVEL BRACKET NOT USED WITH FULL POWER TRIM
18	17-38311		1	PIN, COIL SPRIN MOUNTING NOT USED WITH FULL POWER TRIM
19	23-28688		2	SPACER, RUBBER - COIL SPRING POSITIONING NOT USED WITH FULL POWER TRIM
20	63473		1	TUBE CUSHING - SHOCK PIN (USED WITH FULL POWER TRIM)
21	76386		1	TILT LCOK ASSEMBLY (STARBOARD)
22	76385		1	TILT LOCK ASSEMBLY (PORT)
23	76387		1	TUBE, TILT LOCK
25	13-69150		1	WASHER WAVE - TILT LOCK (STARBOARD SIDE ONLY)
25A	26-22734		2	OIL SEAL, SWIVEL BRACKET (TILT LOCK)
25B	12-76388		1	WASHER, TILT LOCK (STARBOARD SIDE ONLY)
25C	25-62702	●	2	"O" RING, TILT LOCK
26	18-47959		2	COTTER PIN, TILT LCOK
27	70692		1	REVERSE LOCK ASSEMBLY NOT USED WITH FULL POWER TRIM
28	24-78203A1		1	SPRING, REVERSE LOCK TENSION NOT USED WITH FULL POWER TRIM
29	56349		1	SHAFT, REVERSE LOCK PIVOT NOT USED WITH FULL POWER TRIM

● = CONTENTS OF [27-60476A75] GASKET SET

CONTINUED ON NEXT PAGE ➡

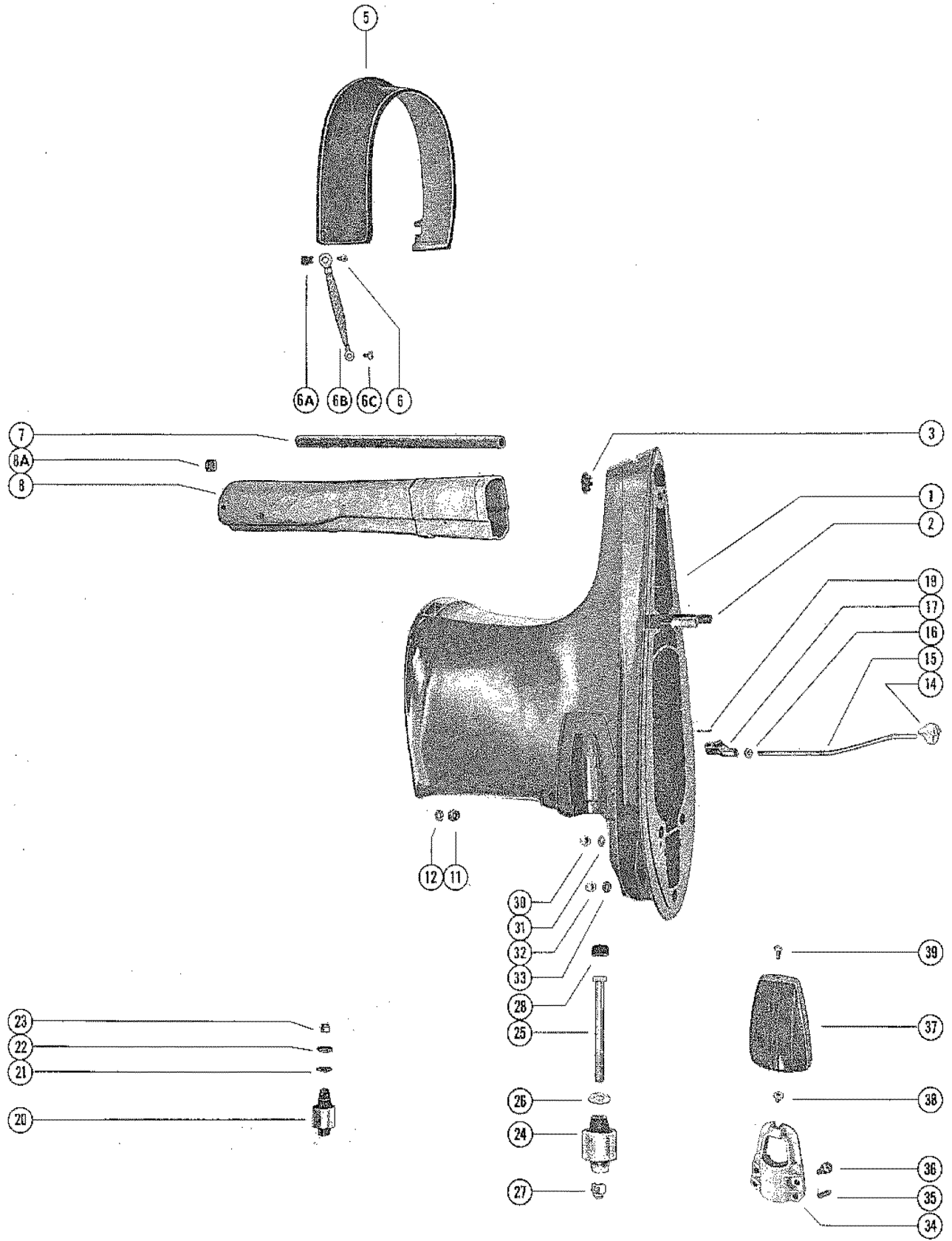
CLAMP BRACKET AND REVERSE LOCK



CLAMP BRACKET AND REVERSE LOCK

REF. NO.	PART NO.	SYM.	QTY.	DESCRIPTION
30	18-45882		1	COTTER PIN, REVERSE LOCK TO SHAFT NOT USED WITH FULL POWER TRIM
31	55-28414		2	PIN, LOWER SHOCK MOUNTING
32	10-21937		2	SCREW, LOWER SHOCK PIN
33	11-46887		2	NUT, LOWER SHOCK PIN SCREW
34	55-58780A2		2	SHOCK ABSORBER NOT USED WITH FULL POWER TRIM
35	23-32171		4	BUSHING, RUBBER - SHOCK ABSORBER (UPPER) NOT USED WITH FULL POWER TRIM
36	23-28198		4	BUSHING, RUBBER - SHOCK ABSORBER (LOWER) NOT USED WITH FULL POWER TRIM
37	23-73203		2	SPACER UPPER SHOCK BUSHING TO CLAMP BRACKET
38	12-28196		2	WASHER, UPPER BUSHING RETIANER (INNER)
39	12-59378		2	WASHER, LOWER BUSHING RETAINER (INNER)
40	12-69374		4	WASHER UPPER AND LOWER BUSHING RETAINER (OUTER)
41	10-69375		4	SCREW UPPER AND LOWER SHOCK MOUNTING PIN
-	27-60476A75		0	GASKET SET

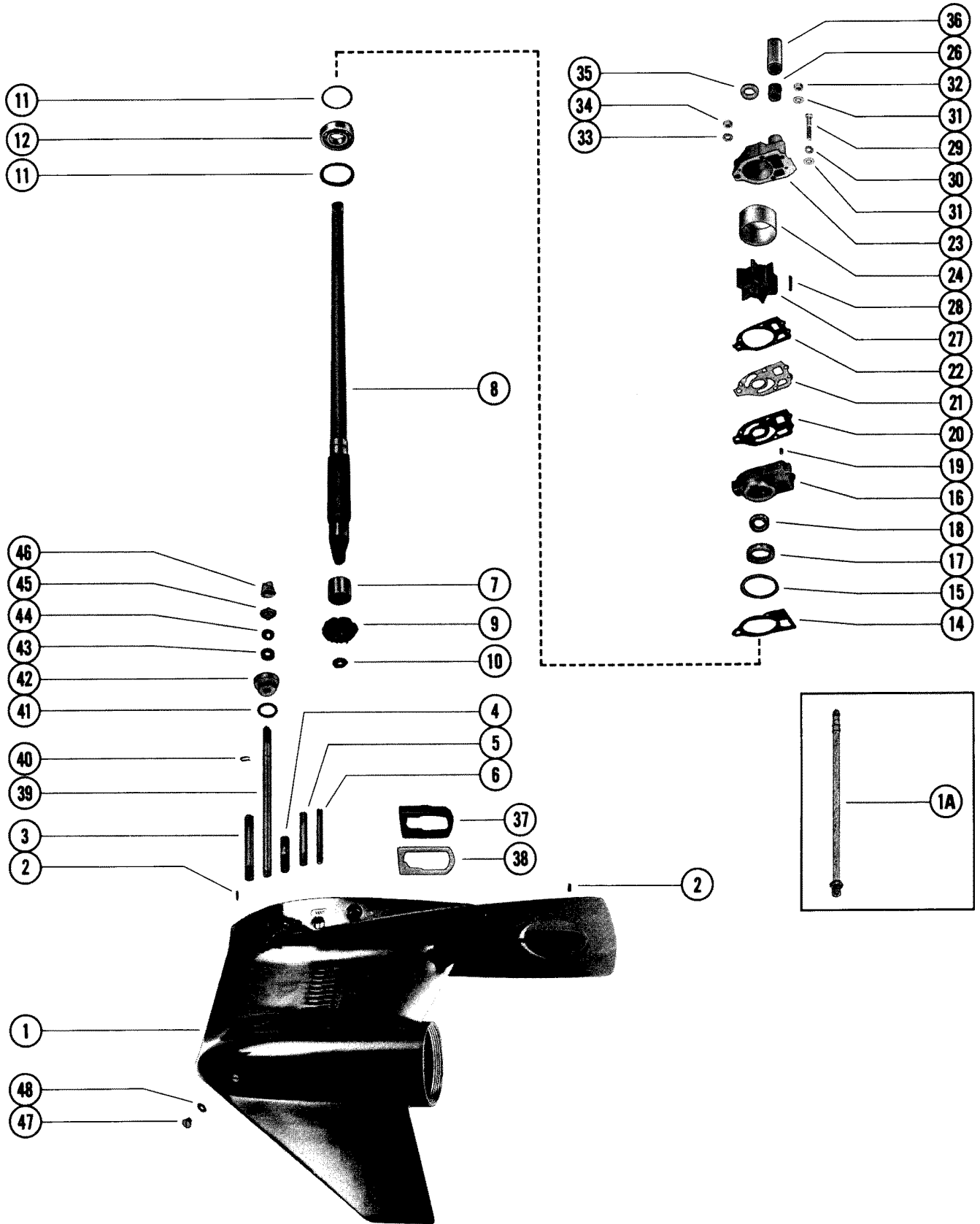
DRIVE SHAFT HOUSING ASSEMBLY



DRIVE SHAFT HOUSING ASSEMBLY

REF. NO.	PART NO.	SYM.	QTY.	DESCRIPTION
1	1573-5239A4		1	DRIVE SHAFT HOUSING ASSEMBLY
2	16-56295		2	STUD DRIVE SHAFT HOUSING TO GEAR HOUSING (2 11/16")
3	19-64649		1	PLUG, PLASTIC - TRIM TAB SCREW HOLE
5	37417		1	COVER, TIRM - DRIVE SHAFT HOUSING
6	10-57807		4	SCREW, TRIM COVER TO BOTTOM COWL
6A	25-57806		4	GROMMET, PLASTIC - TRIM COVER SCREW
6B	46933A2		2	GROUND STRAP ASSEMBLY, TRIM COVER SCREW
6C	10-62568		2	SCREW, GROUND STRAP ATTACHING
7	32-60897		1	TUBE, WATER INLET
8	78184		1	TUBE, EXHAUST
8A	65638		2	BOOT, TUBE MOUNT
11	11-69254		2	NUT, POWERHEAD STUDS (3/8-24)
12	12-25970		2	WASHER, POWERHEAD STUDS
14	52887		1	GUIDE, PUSH ROD - REVERSE LOCKING NOT USED WITH FULL POWER TRIM
15	47558		1	ROD, PUSH - REVERSE LOCK NOT USED WITH FULL POWER TRIM
16	11-47661		1	NUT, JAM - PUSH ROD NOT USED WITH FULL POWER TRIM
17	47559		1	YOKE, PUSH ROD NOT USED WITH FULL POWER TRIM
19	18-25191		1	COTTER PIN, PUSH ROD PIN NOT USED WITH FULL POWER TRIM
20	75296		2	MOUNT, RUBBER - UPPER
21	12-47840		2	WASHER, RUBBER - UPPER MOUNT BOLT
22	12-31263		2	WASHER, UPPER MOUNT BOLT
23	11-34933		2	NUT, UPPER MOUNT BOLT
24	75299		2	MOUNT, RUBBER - LOWER
25	10-49318		2	SCREW, LOWER MOUNT (5 1/2")
26	12-49339		2	WASHER, LOWER MOUNT SCREW
27	11-25096		2	NUT, LOWER MOUNT SCREW
28	25067		2	BUMPER, RUBBER - LOWER MOUNTING SCEW
30	11-34933		2	NUT GEAR HOUSING AND DRIVE SHAFT HOUSING STUDS
31	12-45176		2	WASHER GEAR HOUSING TO DRIVE SHAFT HOUSING STUDS
32	11-29489		1	NUT GEAR HOUSING AND DRIVE SHAFT HOUSING STUDS
33	12-45176		1	WASHER GEAR HOUSING TO DRIVE SHAFT HOUSING STUDS
34	35608		2	CLAMP, LOWER MOUNT TO DRIVE SHAFT HOUSING
35	24-35522		4	SPRING, TENSION - LOWER MOUNT CLAMP
36	10-29256		4	SCREW LOWER MOUNT CLAMP TO DRIVE SHAFT HOUSING
37	35474		2	COVER, LOWER MOUNT CLAMP
38	11-35521		2	NUT, LOWER MOUNT CLAMP COVER
39	10-29722		2	SCREW, COVER TO LOWER CLAMP MOUNT

GEAR HOUSING ASSEMBLY, COMPLETE (PAGE 1)



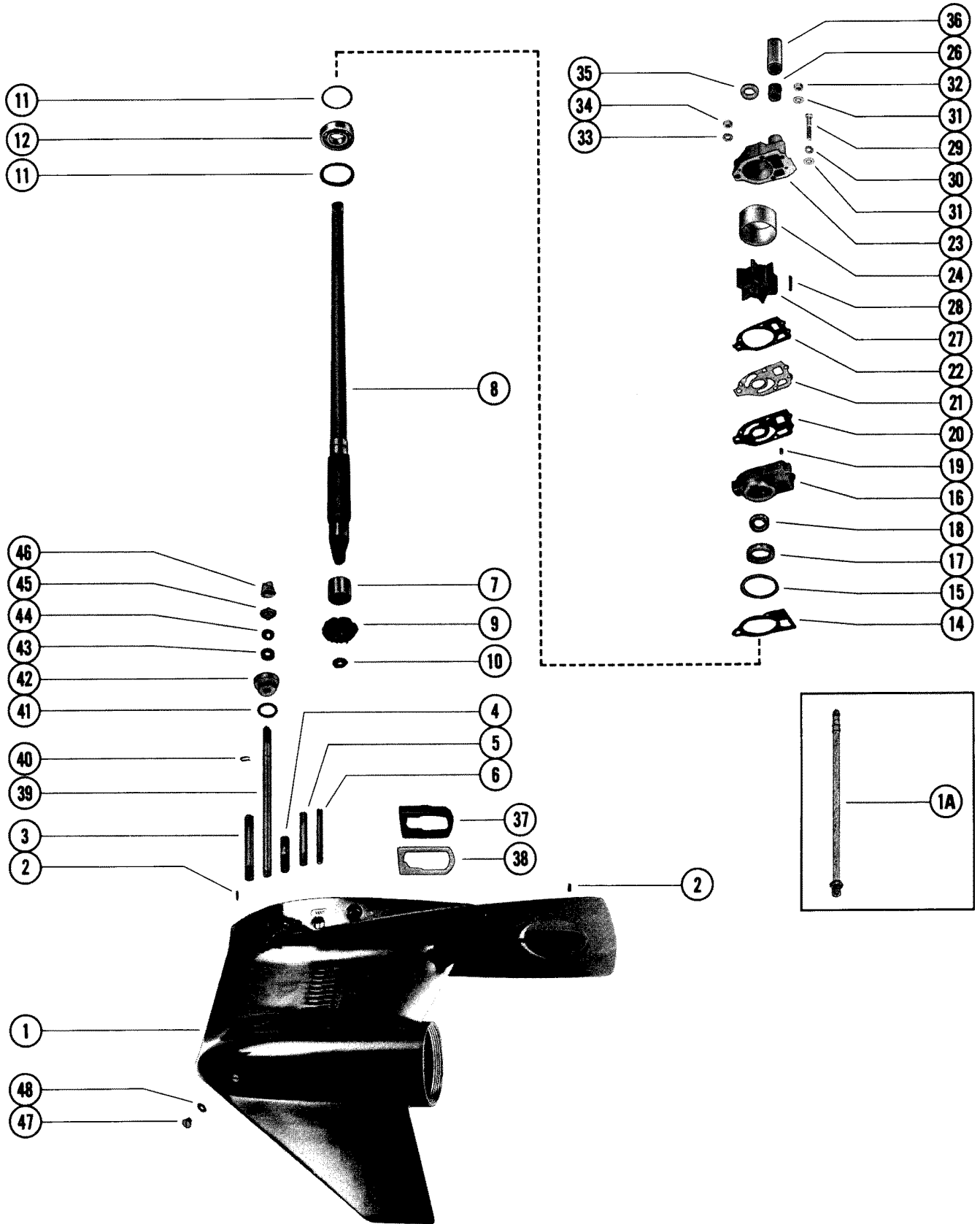
GEAR HOUSING ASSEMBLY, COMPLETE (PAGE 1)

REF. NO.	PART NO.	SYM.	QTY.	DESCRIPTION
-	1623-6053A15		1	GEAR HOUSING ASS'Y, OCMP. THE ENCLOSED GEAR HOUSINGS INCLUDE ALL PARTS FROM REFERENCE #1 THRU #71 AS LISTED ON F12 AND F14 UNITED STATES 5160323 AND BELOW AUSTRALIA 8056844 AND BELOW CANADA 7123412 AND BELOW
-	1655-7333A24		1	GEAR HOUSING ASS'Y, COMP. THE ENCLOSED GEAR HOUSINGS INCLUDE ALL PARTS FROM REFERENCE #1 THRU #71 AS LISTED ON F12 AND F14 UNITED STATES 5160324 AND UP AUSTRALIA 8056845 AND UP CANADA 7123413 AND UP
1	1623-6053A5		1	GEAR HOUSING ASS'Y UNITED STATES 5160323 AND BELOW AUSTRALIA 8056844 AND BELOW CANADA 7123412 AND BELOW
	1655-7333A23		1	GEAR HOUSING ASS'Y UNITED STATES 5160324 AND UP AUSTRALIA 8056845 AND UP CANADA 7123413 AND UP
1A	22-85822A1		1	CONNECOTR ASSEMBLY, SPEEDOMETER UNITED STATES 5160324 AND UP AUSTRALIA 8056845 AND UP CANADA 7123413 AND UP
2	17-46912		2	DOWEL PIN, GEAR HOUSING LOCATING
3	16-57921		1	STUD, GEAR HOUSING TO DRIVE SHAFT HOUSING (4")
4	16-57920		2	STUD GEAR HOUSING TO DRIVE SHAFT HOUSING (2 1/16")
5	16-56297		1	STUD WATER PUMP BASE AND BODY TO GEAR HOUSING (3 3/8")
6	16-30667		2	STUD WATER PUMP BASE AND BODY TO GEAR HOUSING (3 1/8")
7	31-32898		1	BEARING, ROLLER - DRIVE SHAFT
8	45-69251		1	DRIVE SHAFT
9	43-68548		1	GEAR, PINION - DRIVE SHAFT
10	11-35921		1	NUT, PINION GEAR TO DRIVE SHAFT
11	23-70412		1	SPACER, BALL BEARING TO BASE
	15-57007A1		AR	SHIM, BALL BEARING TO BASE
12	31-69220		1	ROLLER BEARING, DRIVE SHAFT
14	27-33146	●	1	GASKET, WATER PUMP BASE
15	25-33145	●	1	"O" RING, WATER PUMP BASE
16	46-73804A1		1	WATER PUMP BASE ASSEMBLY
17	26-31489		1	OIL SEAL, WATER PUMP BASE
18	26-31507		1	OIL SEAL, WATER PUMP BASE
19	17-35973		2	DOWL PIN WATER PUMP BASE TO WATER PUMP BODY
20	27-32433	●	1	GASKET LOWER - WATER PUMP BASE TO FACE PLATE
21	32435		1	PLATE FACE - WATER PUMP BASE TO WATER PUMP BODY
22	27-32434	●	1	GASKET UPPER - FACE PLATE TO WATER PUMP BODY
23	46-64141A1		1	WATER PUMP BODY ASSEMBLY
24	48752		1	INSERT, WATER PUMP BODY
26	26-38970		1	SEAL, RUBBER - WATER INLET TUBE

● = CONTENTS OF [27-60476A75] GASKET SET

CONTINUED ON NEXT PAGE ➡

GEAR HOUSING ASSEMBLY, COMPLETE (PAGE 1)



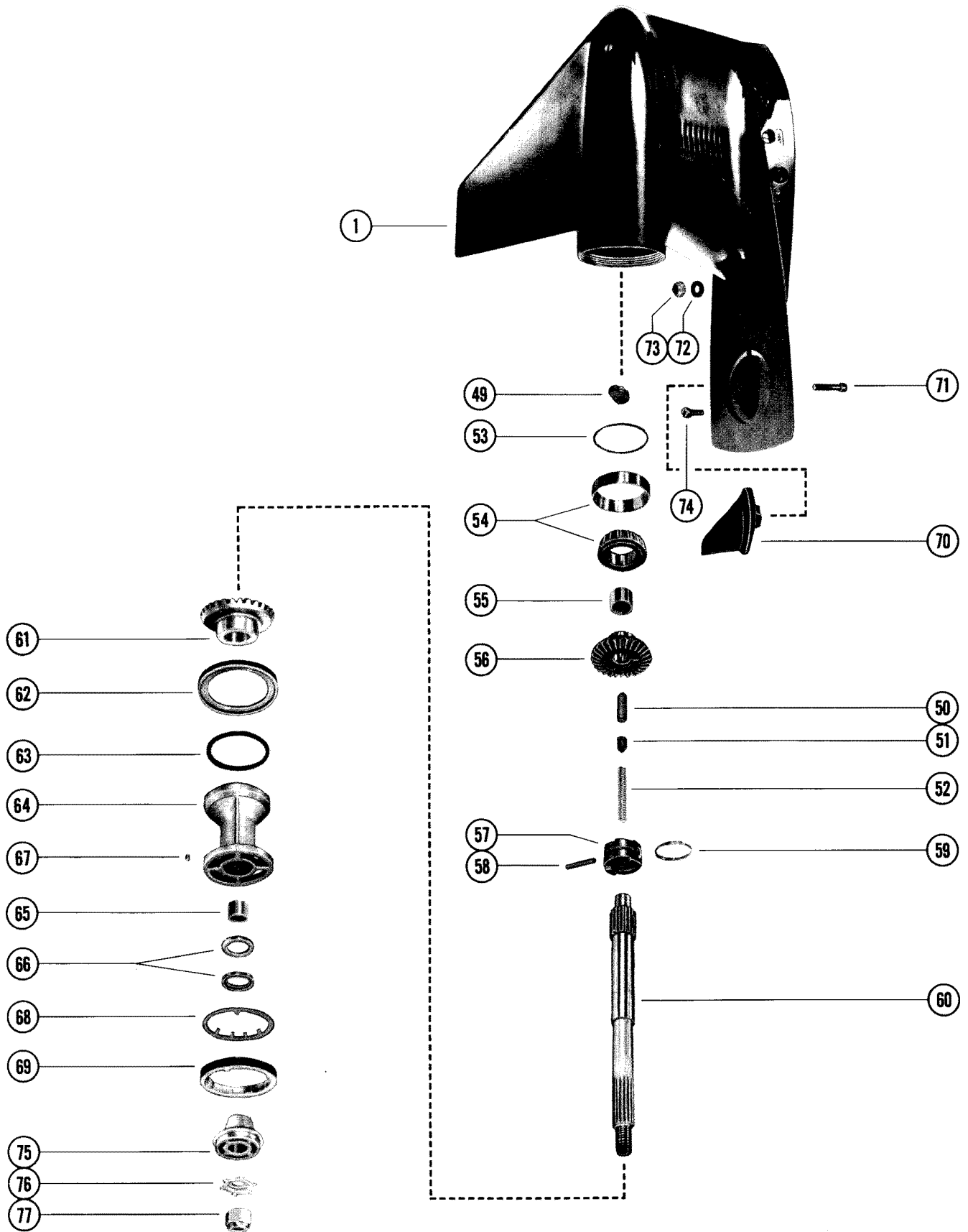
GEAR HOUSING ASSEMBLY, COMPLETE (PAGE 1)

REF. NO.	PART NO.	SYM.	QTY.	DESCRIPTION
27	47-65960		1	IMPELLER, WATER PUMP
28	28-56654		1	KEY, IMPELLER DRIVE
29	10-30720		1	SCREW WATER PUMP BODY TO GEAR HOUSING (2 1/4")
30	13-26992		1	LOCKWASHER, WATER PUMP BODY SCREW
31	12-29245		3	WASHER WATER PUMP BODY FASTENING SCREW AND STUD
32	11-35888		2	NUT, WATER PUMP FASTENING SCREW
33	12-36001		1	WASHER, WATER PUMP BODY FASTENING STUD
34	11-35814		1	NUT, WATER PUMP BODY FASTENING STUD
35	25-30271	●	1	RING RUBBER - CENTRIFUGAL SLINGER (DRIVE SHAFT)
36	23-29804		1	SLEEVE, GUIDE - WATE INLET TUBE
37	37641		1	SEAL, EXHAUST ELBOW
38	38051		1	PLATE, SUPPORT - EXHAUST TUBE SEAL
39	76062A1		1	SHAFT ASSEMBLY, SHIFT - LOWER
40	53-29641		1	"E" RING, RETAINING - SHIFT SHAFT
41	25-25439	●	1	"O" RING, SHIFT SHAFT BUSHING
42	23-77631A2		1	BUSHING ASSEMBLY, SHIFT SHAFT
43	26-76384		1	OIL SEAL, SHIFT SHAFT BUSHING
44	12-77674		1	WASHER, RUBBER - SHIFT SHAFT BUSHING
45	39019		1	SPACER, LOWER - REVERSE LOCKING NOT USED WITH FULL POWER TRIM
46	39021		1	CAM, REVERSE LOCKING NOT USED WITH FULL POWER TRIM
47	10-79953		1	SCREW, GREASE FILLER AND VENT HOLE
	22-67892		1	PLUG, DRAIN (MAGNETIC)
48	12-20260		2	WASHER GREASE FILLER AND VENT HOLE SCREW
-	27-60476A75		0	GASKET SET
-	46-73804A3		0	WATER PUMP KIT
-	26-55682A1		0	SEAL KIT

THE ENCLOSED GEAR HOUSINGS INCLUDE ALL PARTS FROM REF. #1-#71 AS LISTED UNDER "GEAR HOUSING ASSEMBLY, COMPLETE"

● = CONTENTS OF [27-60476A75] GASKET SET

GEAR HOUSING ASSEMBLY, COMPLETE (PAGE 2)



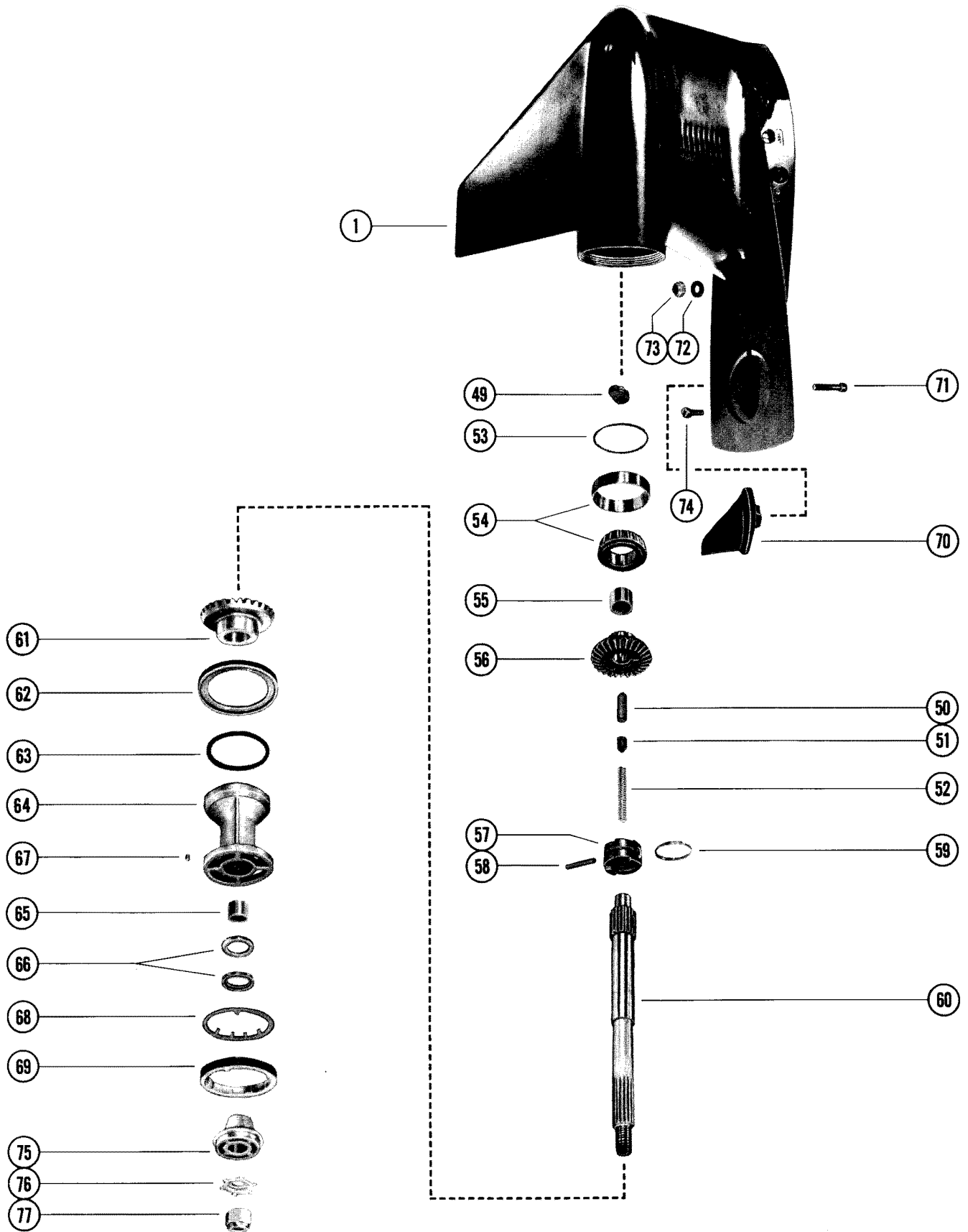
GEAR HOUSING ASSEMBLY, COMPLETE (PAGE 2)

REF. NO.	PART NO.	SYM.	QTY.	DESCRIPTION
-	1623-6053A15		1	GEAR HOUSING ASS'Y, COMP. THE ENCLOSED GEAR HOUSING INCLUDE ALL PARTS FROM REFERENCE #1 THRU #71 AS LISTED ON F12 AND F14 UNITED STATES 5160323 AND BELOW AUSTRALIA 8056844 AND BELOW CANADA 7123412 AND BELOW
-	1655-7333A24		1	GEAR HOUSING ASS'Y, COMP. THE ENCLOSED GEAR HOUSING INCLUDE ALL PARTS FROM REFERENCE #1 THRU #71 AS LISTED ON F12 AND F14 UNITED STATES 5160324 AND UP AUSTRALIA 8056845 AND UP CANADA 7123413 AND UP
1	1623-6053A5		1	GEAR HOUSING ASS'Y UNITED STATES 5160323 AND BELOW AUSTRALIA 8056844 AND BELOW CANADA 7123412 AND BELOW
	1655-7333A23		1	GEAR HOUSING ASS'Y UNITED STATES 5160324 AND UP AUSTRALIA 8056845 AND UP CANADA 7123413 AND UP
49	54346		1	CAM SHIFT UNITED STATES 5160323 AND BELOW AUSTRALIA 8056844 AND BELOW CANADA 7123412 AND BELOW
	76039		1	CAM, SHIFT UNITED STATES 5160324 AND UP AUSTRALIA 8056845 AND UP CANADA 7123413 AND UP
50	30625		1	FOLLOWER, CAM
51	30624		1	SLIDE, CROSS PIN
52	24-30622		1	SPRING, COMPRESSION - CAM FOLLOWER
53	15-30923A1		AR	SHIM BEARING OUTER RACE TO HOUSING (.002-3-5-10)
54	31-30894A1		1	TAPERED ROLLER BEARING ASSEMBLY
55	31-30895		1	BEARING, ROLLER - FORWARD GEAR
56	43-68447		1	FORWARD GEAR
57	52-34239		1	RATCHET, SLIDING GEAR
58	17-30632		1	PIN, CROSS - RATCHET TO PROPELLAR SHAFT
59	24-30893		1	SPRING, RETAINING - CROSS PIN
60	44-52542		1	SHAFT, PROPELLER
61	43-76250		1	REVERSE GEAR
62	12-76805		1	WASHER THRUST - BEARING CARRIER TO GEAR HOUSING
63	25-29976	●	1	"O" RING, BEARING CARRIER
64	77520A1		1	BEARING CARRIER ASSEMBLY
65	31-30956		1	BEARING, ROLLER - BEARING CARRIER
66	26-76868		2	OIL SEAL, BEARING CARRIER
67	28-30281		1	KEY, LOCATING - BEARING CARRIER
68	14-52700		1	TAB WASHER, GEAR HOUSING COVER
69	52699		1	COVER, GEAR HOUSING
70	31640A1		1	TRIM TAB, GEAR HOUSING
71	10-66024		1	SCREW, TRIM TAB TO GEAR HOUSING (1 3/4")
72	12-45176		2	WASHER GEAR HOUSING TO DRIVE SHAFT HOUSING STUDS
73	11-34933		2	NUT GEAR HOUSING TO DRIVE SHAFT HOUSING STUDS

● = CONTENTS OF [27-60476A75] GASKET SET

CONTINUED ON NEXT PAGE ➡

GEAR HOUSING ASSEMBLY, COMPLETE (PAGE 2)

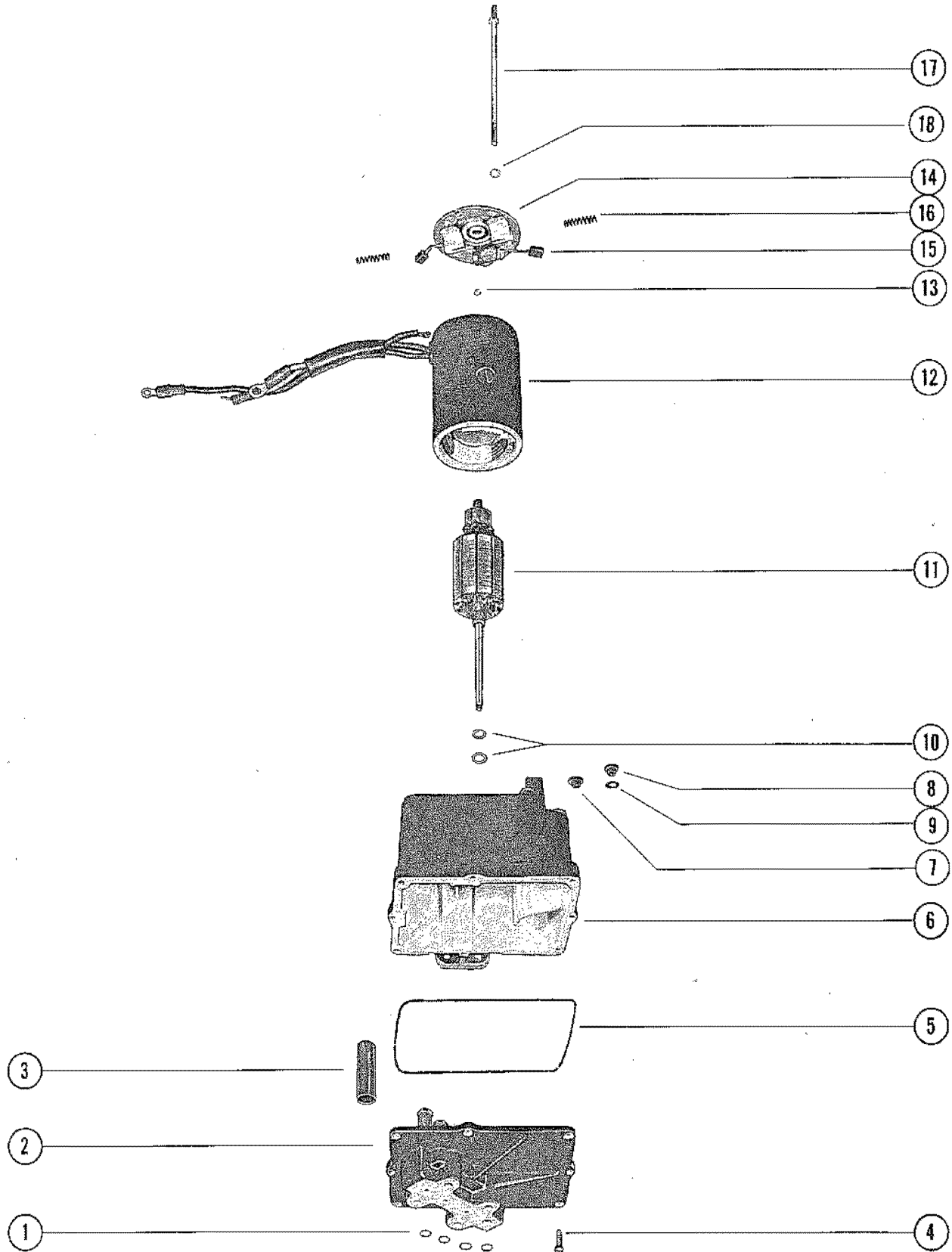


GEAR HOUSING ASSEMBLY, COMPLETE (PAGE 2)

REF. NO.	PART NO.	SYM.	QTY.	DESCRIPTION
74	10-65210		1	SCREW GEAR HOUSING TO DRIVE SHAFT HOUSING (1")
75	75282		1	THRUST HUB AND WASHER ASSEMBLY
76	14-31210		1	TAB WASHER, PROPELLER NUT
77	11-52707		1	NUT, PROPELLER
-	27-60476A75		0	GASKET SET

THE ENCLOSED GEAR HOUSING INCLUDES ALL PARTS FROM REF. #1-#71 AS LISTED UNDER GEAR HOUSING ASSEMBLY, COMPLETE

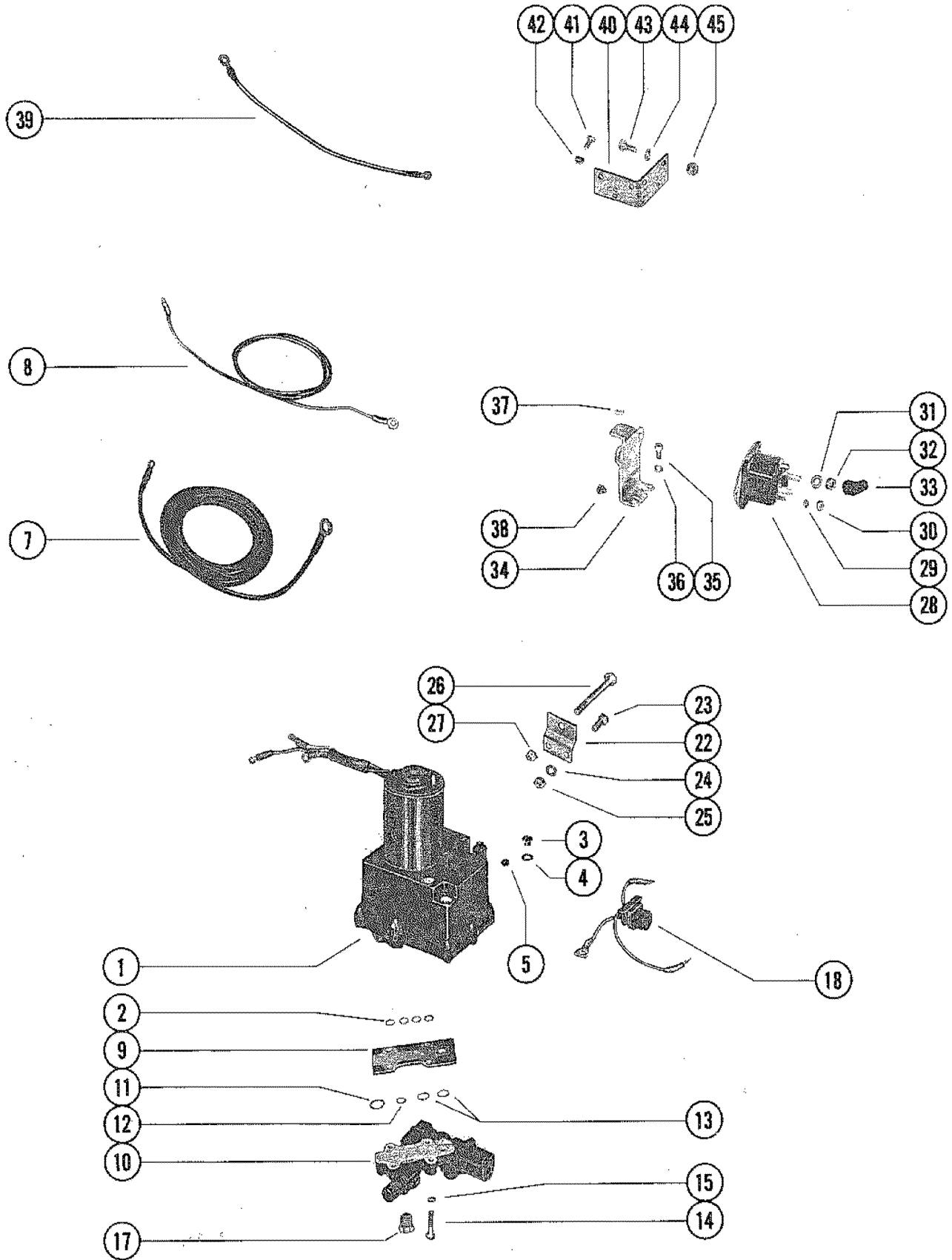
HYDRAULIC PUMP ASSEMBLY



HYDRAULIC PUMP ASSEMBLY

REF. NO.	PART NO.	SYM.	QTY.	DESCRIPTION
-	76395A5		1	HYDRUALIC PUMP ASSEMBLY, COMPLETE
1	25-21720		4	"O" RING, HYDRAULIC PUMP
2	392-2936		1	VALVE BODY AND GEAR ASSEMBLY
3	392-2618		2	CAN, VALVE BODY
4	10-20411		8	SCREW, VALVE BODY TO RESERVOIR
5	392-2937		1	SEAL, RESERVOIR TO VALVE BODY AND GEAR
6	392-2939		1	RESERVOIR ASSEMBLY
7	10-38257		1	SCREW, VENT - HYDRAULIC PUMP
8	10-28634		1	SCREW, FILLER - HYDRAULIC PUMP
9	12-20260		1	WASHER, SEALING - FILLER SCREW
10	392-2623		AR	WASHER, THRU - ARMATURE
11	392-2943		1	ARMATURE, FIELD AND FRAME
12	392-2942		1	FIELD AND FRAME ASSEMBLY
13	392-2944		1	BALL, COMMUTATOR END PLATE
14	392-2940		1	PLATE ASSEMBLY, COMMUTATOR END
15	392-2941		1	BRUSH SET, COMMUTATOR END PLATE
16	392-2529		1	SPRING SET, BRUSH TENSION
17	392-2938		1	BOLT SET THRU - PLATE AND FRAME TO RESERVOIR
18	13-26996		2	LOCKWASHER, THRU BOLT

HYDRAULIC PUMP AND CONTROL VALVE

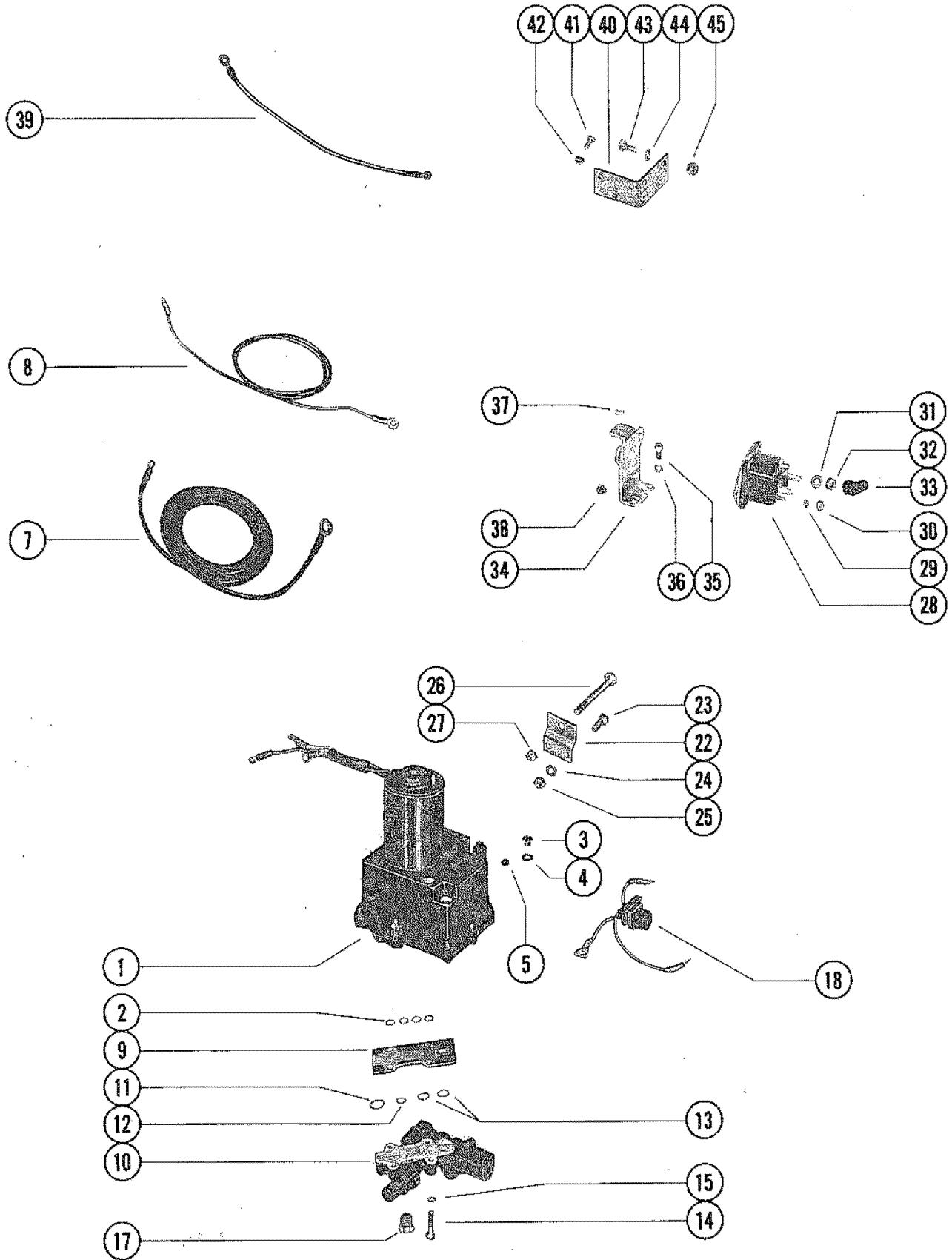


HYDRAULIC PUMP AND CONTROL VALVE

REF. NO.	PART NO.	SYM.	QTY.	DESCRIPTION
1	76395A5		1	HYDRAULIC PUMP ASSEMBLY SEE G2 FOR BREAKDOWN
2	25-21720		4	"O" RING, HYDRAULIC PUMP TO MANIFOLD PLATE
3	10-28634		1	SCREW, FILLER - HYDRAULIC PUMP
4	12-20260		1	WASHER SEALING - HYDRAULIC PUMP FILLER SCREW
5	10-38257		1	SCREW, VENT - HYDRAULIC PUMP
7	32979		1	BATTERY LEAD (POSITIVE)
8	32988		1	BATTERY LEAD (NEGATIVE)
9	45336		1	PLATE, MANIFOLD
10	45197A2		1	CONTROL VALVE ASSEMBLY
-	25-21720		4	"O" RING PUMP TO MANIFOLD PLATE (SEE REFERENCE #2)
11	25-45254		1	"O" RING CONTROL VALVE TO MANIFOLD PLATE (3/4"O.D.)
12	25-21720		1	"O" RING CONTROL VALVE TO MANIFOLD PLATE (1/2"O.D.)
13	25-45253		2	"O" RING CONTROL VALVE TO MANIFOLD PLATE (5/8" O.D.)
14	10-56500		4	SCREW VALVE AND MANIFOLD PLATE TO PUMP (1 1/4")
15	13-26992		4	LOCKWASHER CONTROL VALVE AND MANIFOLD PLATE SCREW
17	22-46008		2	PLUG, CONTROL VALVE (1/2-20")
18	84-74023		1	CONNECTOR AND HARNESS
22	45377		2	BRACKET, MOUNTING - HYDRAULIC PUMP TO BOAT
23	10-24234		4	SCREW MOUNTING BRACKET TO HYDRAULIC PUMP (1")
24	13-39107		4	LOCKWASHER, MOUNTING BRACKET SCREW
25	11-21908		4	NUT, MOUNTING BRACKET SCREW
26	10-68298		2	BOLT, HYDRAULIC PUMP TO BOAT (3 1/4")
27	11-68411		2	NUT, HYDRAULIC PUMP BOLT
28	89-68258		2	STARTER SOLENOID
29	13-26996		4	LOCKWASHER STARTER SOLENOID TERMINAL (#10)
30	11-68219		4	NUT, STARTER SOLENOID TERMINAL (#10)
31	13-26993		4	LOCKWASHER STARTER SOLENOID TERMINAL (5/16")
32	11-68292		4	NUT, STARTER SOLENOID TERMINAL (5/16")
33	46265		4	BOOT, RUBBER - STARTER SOLENOID TERMINAL
34	74407		1	BRACKET, MOUNTING - STARTER SOLENOID
35	10-21140		2	SCREW MOUNTING BRACKET TO HYDRAULIC PUMP (1/2")
36	13-26992		2	LOCKWASHER, MOUNTING BRACKET SCREW
37	11-24656		1	NUT MOUNTING BRACKET TO HYDRAULIC PUMP THRU BOLT
38	26901		1	BUMPER, RUBBER - SOLENOID BRACKET
39	55991		1	BATTERY LEAD (POSITIVE)
	55992		1	BATTERY LEAD (NEGATIVE)
40	74406		1	BRACKET, MOUNTING - STARTER SOLENOID

CONTINUED ON NEXT PAGE ➡

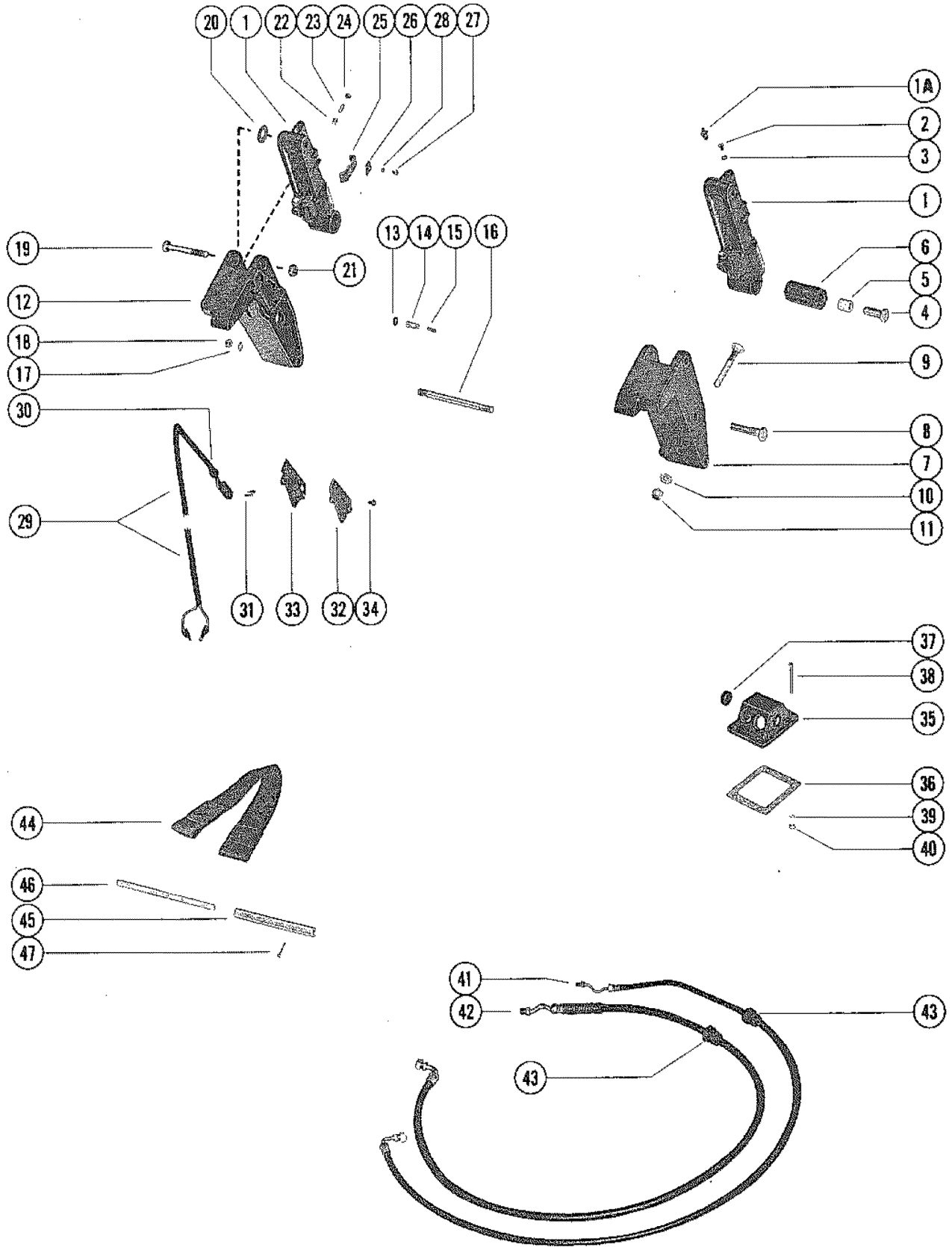
HYDRAULIC PUMP AND CONTROL VALVE



HYDRAULIC PUMP AND CONTROL VALVE

REF. NO.	PART NO.	SYM.	QTY.	DESCRIPTION
41	10-69028		2	SCREW MOUNTING BRACKET TO HYDRAULIC PUMP (3/4")
42	13-26992		2	LOCKWASHER, MOUNTING BRACKET SCREW
43	10-34290		2	SCREW STARTER SOLENOID TO MOUNTING BRACKET (5/8")
44	13-26992		2	LOCKWASHER, STARTER SOLENOID SCREW
45	11-21825		4	NUT, STARTER SOLENOID SCREW

TRIM CYLINDERS AND HYDRAULIC HOSES

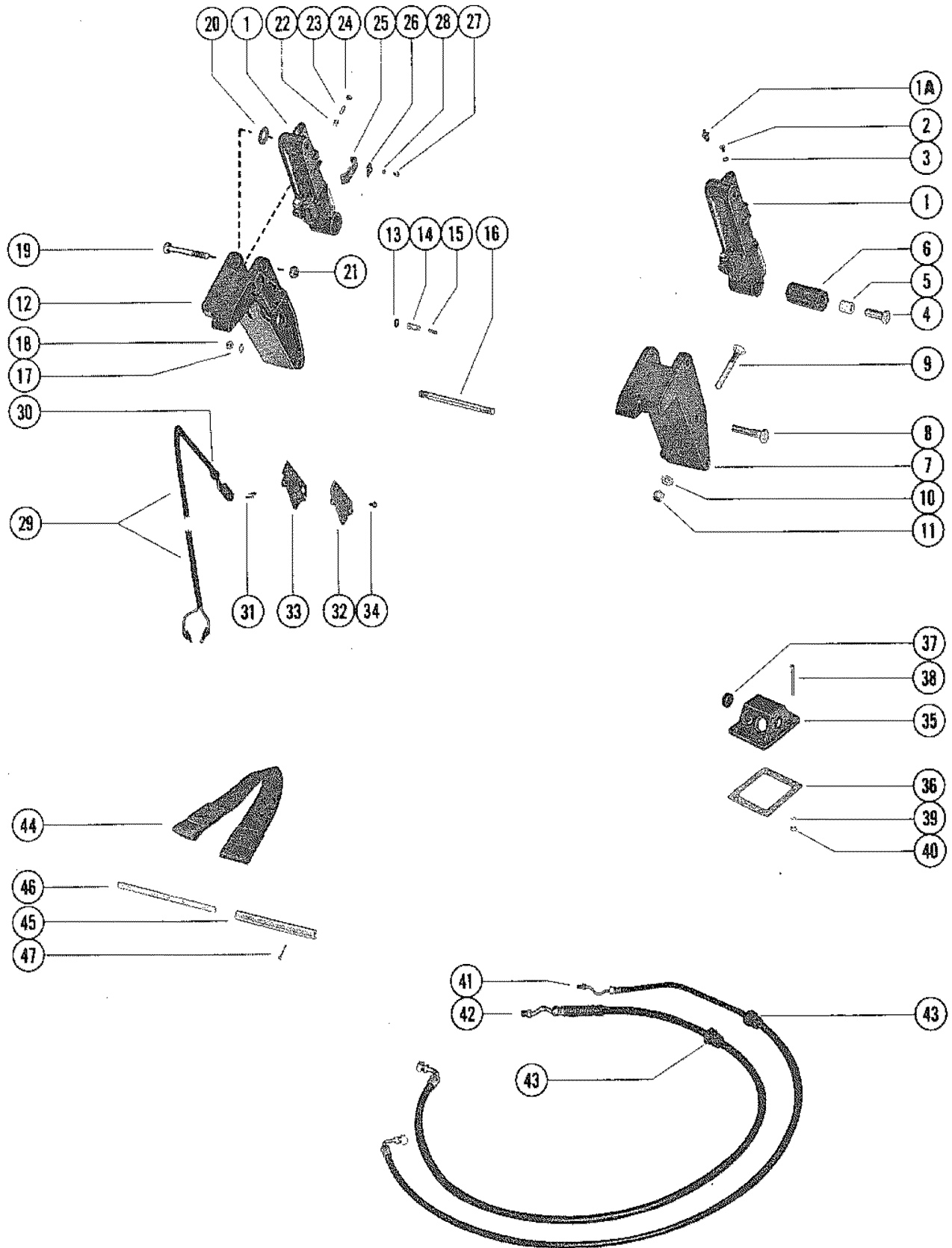


TRIM CYLINDERS AND HYDRAULIC HOSES

REF. NO.	PART NO.	SYM.	QTY.	DESCRIPTION
1	76509A3		2	TRIM CYLINDER ASSEMBLY (SEE "POWER TRIM CYLINDER REPAIR PARTS" FOR REPAIR KIT)
1A	22-74036		2	GREASE FITTING
2	10-45265		4	SCREW, BLEED - SHOCK CYLINDER
3	25-45016		4	"O" RING, SHOCK CYLINDER BLEED SCREW
4	10-45264		2	SCREW SHOCK CYLINDER TO LOWER SHOCK PIN (1 9/16")
5	23-45280		2	SPACER, SHOCK CYLINDER - LOWER
6	23-45281		2	BUSHING, RUBBER - SHOCK CYLINDER
7	66084		1	BRACKET, MOUNTING - SHOCK CYLINDER (PORT)
8	10-45263		2	SCREW MOUNTING BRACKET TO UPPER SHOCK PIN (2 1/4")
9	10-68298		4	BOLT MOUNTING BRACKET TO BOAT TRANSOM (3 1/4")
10	12-68410		4	WASHER, MOUNTING BRACKET BOLT
11	11-68411		4	NUT, MOUNTING BRACKET BOLT
12	45196A2		1	BRACKET ASSEMBLY, MOUNTING - SHOCK CYLINDER (STARBOARD)
13	26-70608		1	OIL SEAL, STARBOARD MOUNTING BRACKET
14	45286		1	PLUNGER, LIMIT SWITCH ACTUATING
15	24-45272		1	SPRING, TENSION - LIMIT SWITCH PLUNGER
16	16-45282		1	STUD, MOUNTING BRACKET AND CLAMP BRACKET
17	13-26993		2	LOCKWASHER, MOUNTING BRACKET TO CLAMP BRACKET STUD
18	11-28770		2	NUT, MOUNTING BRACKET TO CLAMP BRACKET STUD
19	10-45328		2	SCREW, SHOCK CYLINDER TO MOUNTING BRACKET (3 9/16")
20	12-37807		1	WASHER, SHOCK CYLINDER SCREW (STARBOARD ONLY)
21	11-20696		2	NUT, SHOCK CYLINDER SCREW
22	24-24390		1	SPRING, TENSION - ADJUSTING STUD
23	16-21085		1	STUD, ADJUSTING - CUT-OUT LIMIT SWITCH (15/16")
24	11-45812		1	NUT, JAM - LIMIT SWITCH ADJUSTING STUD
25	45508		1	CAM, LIMIT SWITCH ADJUSTING STUD
26	45509		1	PLATE, RETAINING - LIMIT SWITCH CAM
27	10-68513		1	SCREW RETAINING PLATE AND CAM TO SHOCK CYLINDER (3/8")
28	13-26996		1	LOCKWASHER, RETAINING PLATE AND CAM SCREW
29	45326A2		1	SWITCH ASSEMBLY, CUT-OUT LIMIT
30	23-45354		1	BUSHING, RUBBER - CUT-OUT LIMIT SWITCH
31	10-47255		2	SCREW CUT-OUT LIMIT SWITCH TO MOUNTING BRACKET (9/16")
32	45287		1	COVER, LIMIT SWITCH
33	27-45275		1	GASKET, LIMIT SWITCH COVER
34	10-24942		5	SCREW LIMIT SWITCH COVER TO MOUNTING BRACKET (7/16")
35	45289		1	COVER, INLET - TRANSOM
36	27-45274		1	GASKET, INLET COVER
37	25-45507		1	GROMMET, RUBBER - INLET COVER
38	10-32866		4	SCREW, INLET COVER TO BOAT (2")

CONTINUED ON NEXT PAGE ➡

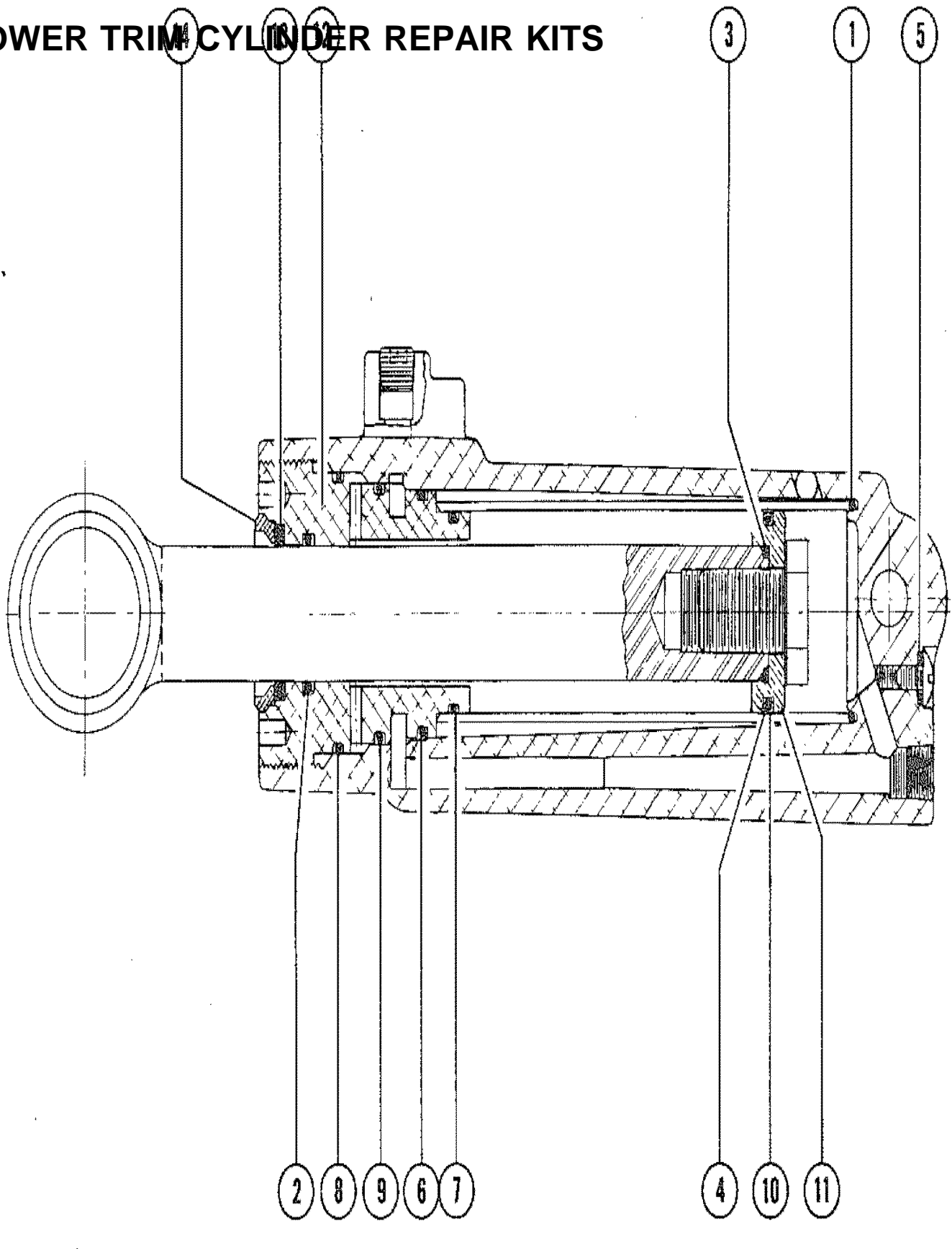
TRIM CYLINDERS AND HYDRAULIC HOSES



TRIM CYLINDERS AND HYDRAULIC HOSES

REF. NO.	PART NO.	SYM.	QTY.	DESCRIPTION
39	12-20878		4	WASHER, INLET COVER SCREW
40	11-29488		4	NUT, INLET COVER SCREW
41	32-45327		2	HOSE, TRIM CYLINDER TO CONTROL VALVE (5') - 13/32" O.D.
42	32-45959		2	HOSE, LIFT CYLINDER TO CONTROL VALVE (5') - 17/32" O.D.
43	23-35977		4	GROMMET, RUBBER - LIFT HOSE AND TRIM HOSE
44	73519A1		1	TILT STOP
45	69259		1	TUBE, MOUNTING - TILT STOP
46	77669		1	PIN, MOUNTING TUBE
47	18-36391		1	COTTER PIN, MOUNTING TUBE PIN

POWER TRIM CYLINDER REPAIR KITS



POWER TRIM CYLINDER REPAIR KITS

REF. NO.	PART NO.	SYM.	QTY.	DESCRIPTION
-	64507A1		1	REPAIR KIT
1	N.S.S.	■	1	"O" RING, (1 1/2" X 1 5/8" X 1/16")
2	N.S.S.	■	1	"O" RING (3/4" X 15/16" X 1/8")
3	N.S.S.	■	1	"O" RING (5/8" X 3/4" X 1/16")
4	N.S.S.	■	1	"O" RING (1 1/4" X 1 7/16" X 1/16")
5	N.S.S.	■	2	"O" RING (7/32" X 11/32" X 1/16")
6	N.S.S.	■	1	"O" RING (1 5/8" X 1 13/16" X 1/8")
7	N.S.S.	■	1	"O" RING (1 5/16" X 1 1/2" X 1/8")
8	N.S.S.	■	1	"O" RING (1 7/8" X 2" X 1/8")
9	N.S.S.	■	1	"O" RING (1 3/4" X 1 15/16" X 1/8")
10	N.S.S.	■	1	SEAL, SLIPPER - PISTON
11	N.S.S.	■	1	PISTON, ROD - HEAVY DUTY
12	64505A1		1	RETAINER ASSEMBLY, PISTON
13	N.S.S.	■	1	ROD, SCRAPER
14	N.S.S.	■	1	RETAINER, SCRAPER

DO NOT SUBSTITUTE "O" RINGS AS THESE ARE OF SPECIAL MANUFACTURED MATERIAL.

■ = NOT SOLD SEPARATELY.

SERIAL GROUP CHART

SERIAL GROUP CHART

SERIAL GROUP #1

United States 5160323 and below
Australia 8056844 and below
Canada 7123412 and below

SERIAL GROUP #2

United States 5160324 and up
Australia 8056845 and up
Canada 7123413 and up

SERIAL GROUP CHART

THIS PAGE INTENTIONALLY LEFT BLANK

PROPELLERS (RIGHT HAND ROTATION)

REF. NO.	PART NO.	SYM.	QTY.	DESCRIPTION
-	48-77338A4		0	PROPELLER ASSEMBLY (ALUMINUM)(PITCH 11") 3 BLADES
-	48-77340A4		0	PROPELLER ASSEMBLY (ALUMINUM)(PITCH 13") 3 BLADES
-	48-77342A4		0	PROPELLER ASSEMBLY (ALUMINUM)(PITCH 15") 3 BLADES
-	48-77344A4		0	PROPELLER ASSEMBLY (ALUMINUM)(PITCH 17") 3 BLADES
-	48-77346A4		0	PROPELLER ASSEMBLY (ALUMINUM)(PITCH 19") 3 BLADES
-	48-77348A4		0	PROPELLER ASSEMBLY (ALUMINUM)(PITCH 21") 3 BLADES
-	48-77350A4		0	PROPELLER ASSEMBLY (ALUMINUM)(PITCH 23") 3 BLADES

PARTS INDEX

Part Number	Description	Pg.	Ref. No.	Part Number	Description	Pg.	Ref. No.
20121	CONNECTOR, SPARK PLUG			37639	MOUNT, RUBBER - TOP		
	LEAD	11	--		COW FRAME	3	18
20140	BELT, TIMING	19	57	37640	MOUNT, RUBBER FRONT		
22833	ADAPTOR, CHECK UNIT				SUPPORT BRACKET	5	34
	(FUEL LINE)	27	33	37641	SEAL, EXHAUST ELBOW ..	49	37
23004	RETAINER, CHECK VALVE .	27	9	37896	GUIDE BLOCK, LINK ROD ..	35	32
23069	STEM, CHECK UNIT			37918	SEAL, EXHAUST		
	ADAPTOR	27	34		EXTENSION PLATE	37	3
25067	BUMPER, RUBBER - LOWER			37940	PAD, SOUND - DRIP TRAY .	35	3
	MOUNTING SCEW	45	28	38032	STRIP	37	4
26113	RACE, OUTER (PAIR)	33	10	38051	PLATE, SUPPORT -		
26901	BUMPER, RUBBER -				EXHAUST TUBE SEAL ...	49	38
	SOLENOID BRACKET ...	57	38	38279	LATCH	35	34
26901	BUMPER, RUBBER -			38674	BAG, STARTER ROPE	7	8
	STARTER SOLENOID ...	21	31	39019	SPACER, LOWER -		
27947	SWIVEL, LINKAGE -				REVERSE LOCKING	49	45
	ECONOMIZER COLLAR ..	17	9	39021	CAM, REVERSE LOCKING .	49	46
27948	SWIVEL	17	13	39519	CAP, BARREL RETAINER -		
28203	BUMPER, STEERINGARM ..	39	17		ANCHOR BRACKET	35	25
28205	STRAP STOP	39	11	39616	BOOT, CONTROL CABLES -		
29787	HUB, FLYWHEEL PULLEY ..	9	10		BOTTOM COWL	35	6
29788	FLANGE, FLYWHEEL			39618	LEVER, NYLON - SHIFT		
	PULLEY	9	8		CABLE LOCKING	35	26
29906A1	DRIVEN PULLEY ASSEMBLY	19	52	39667	COVER, NYLON - SHIFT		
29907	FLANGE, DRIVEN PULLEY .	19	54		CABLE	35	28
30021	BLANKET, SOUND			45196A2	BRACKET ASSEMBLY,		
	ABSORBING	7	14		MOUNTING - SHOCK		
30188	CUP WASHER, ADAPTOR ..	27	37		CYLINDER (STARBOARD)	61	12
30306	PULLEY, FLYWHEEL	9	9	45197A2	CONTROL VALVE		
30413	HOOK, COWL LATCH				ASSEMBLY	57	10
	FASTENING	7	13	45286	PLUNGER, LIMIT SWITCH		
30624	SLIDE, CROSS PIN	51	51		ACTUATING	61	14
30625	FOLLOWER, CAM	51	50	45287	COVER, LIMIT SWITCH	61	32
31014	MOUNT, RUBBER - REAR			45289	COVER, INLET - TRANSOM	61	35
	SUPPORT BRACKET	3	21	45326A2	SWITCH ASSEMBLY, CUT-		
31089	STRIP, SOUND ABSORBING	7	7		OUT LIMIT	61	29
31640A1	TRIM TAB, GEAR HOUSING	51	70	45336	PLATE, MANIFOLD	57	9
32197	STOP, SPARK ADVANCE -			45377	BRACKET, MOUNTING -		
	DISTRIBUTOR HOUSING .	17	2		HYDRAULIC PUMP TO		
32435	PLATE	47	21		BOAT	57	22
32979	BATTERY LEAD (POSITIVE)	57	7	45391	SPACER, RUBBER - HIGH		
32988	BATTERY LEAD (NEGATIVE)	57	8		TENSION LEADS	13	34
35474	COVER, LOWER MOUNT			45392	BRACKET, FRON - WIRE		
	CLAMP	45	37		RETAINER	13	31
35496	PAD, BUMPER - TOP COWL			45409	WIRE RETAINER, HIGH		
	RETAINER	3	3		TENSION LEADS	11	30
35608	CLAMP, LOWER MOUNT TO			45508	CAM, LIMIT SWITCH		
	DRIVE SHAFT HOUSING .	45	34		ADJUSTING STUD	61	25
35769	SEAL, SOUND ABSORBING -			45509	PLATE, RETAINING - LIMIT		
	UPPER	7	9		SWITCH CAM	61	26
37417	COVER, TIRM - DRIVE			45559	TERMINAL BLOCK, STATOR		
	SHAFT HOUSING	45	5		LEADS	21	13
37440	BRACKET, MOUNT			46096	MOUNT	3	18
	SUPPORT - CYLINDER			46265	BOOT, RUBBER - STARTER		
	LBOCK	31	28		SOLENOID TERMINAL ...	57	33
37445	SUPPORT, WIRING			46265	BOOT, SOLENOID		
	HARNES - BOTTOM				TERMINAL	21	37
	COWL	35	10	46785A1	COWL LATCH ASSEMBLY ..	7	12
37587	SWIVEL	17	22				

PARTS INDEX

Part Number	Description	Pg.	Ref. No.	Part Number	Description	Pg.	Ref. No.
46933A3	GROUNG STRAP ASSEMBLY, EXHAUST COVER	31	36	54346	CAM SHIFT	51	49
47341A1	ROPE, STARTER (FOR MANUAL STARTING ONLY)	3	9	54567	CAP, DISTRIBUTOR HOUSING	19	50
47398	BRACKET, REAR - WIRE RETAINER	13	32	54651	CABLE	21	20
47558	ROD, PUSH - REVERSE LOCK	45	15	55455	HOOK, TOP COWL LATCH - REAR	3	13
47559	YOKE, PUSH ROD	45	17	55804A1	ECONOMIZER COLLAR ASSEMBLY	17	6
48047A1	LINK ROD ASSEMBLY	35	20	55805	BRACKCET, STOP	17	41
48152	SHUTTER, CHOKE - CARBURETOR	23	25	55991	BATTERY LEAD (POSITIVE)	57	39
48203	ROD, CHOKE	23	22	55992	BATTERY LEAD (NEGATIVE)	57	39
48671	PLATE, THROTTLE ACTUATOR	17	28	56029	COVER, STARTER MOTOR BRACKCET - TOP	29	9
48692	COLLAR, THROTTLE ACTUATOR	17	24	56349	SHAFT, REVERSE LOCK PIVOT	41	29
48752	INSERT, WATER PUMP BODY	47	24	56703	COLLAR, RUBBER - STARTER MOTOR MOUNT	21	24
49589	STRAP, CHOKE KNOB TO CHOKE ROD	23	19	56849	KNOB, COWL FRONT COVER FASTENING	7	2
52023	CAP, NYLON - STOP BRACKET ADJUSTING SCREW	19	46	57247	STOP, RUBBE - STARTER MOTOR	21	22
52023	CAP, NYLON - THROTTLE ACTUATOR COLLAR ADJUSTING SCREW	17	27	58124A4	SWITCH, MERCURY	29	22
52100	WEAR PLATE, LINK ROD	35	33	58454	CAM, THROTTLE ACTUATOR PLATE	17	33
52518	CLUSTER	23	7	58807A1	FLAME ARRESTOR, VENT - DISTRIBUTOR CAP	11	23
52699	COVER, GEAR HOUSING	51	69	58807A1	FLAME, ARRESTOR, VENT - DISTRIBUTOR HOUSING	11	7
52732	BRACKET, ANCHOR - CONTROL CABLES	35	24	59071	COVER, FUEL INLET	27	12
52733A9	RETAINER ASSEMBLY, TOP COWL	3	2	60096	BOOT, HIGH TENSION CABLE	11	21
52737	LEVER, COWL LATCH HINGE	3	11	60096	BOOT, SPARK PLUG LEAD TO DISTRIBUTOR	11	28
52739	HING, COWL LATCH - TOP COWL	3	10	60304A54	SHIFT SHAFT ASSEMBLY, UPPER	35	17
52862A2	DRIP TRAY ASSEMBLY, BOTTOM COWL	35	2	60437	MEGAPHONE, EXHAUST	37	19
52887	GUIDE, PUSH ROD - REVERSE LOCKING	45	14	62301	COVER, TRANSFER PORT (TOP/MIDDLE)	31	30
52889	NOZZLE, TELL TALE HOSE TO BOTTOM COWL	35	14	62351A1	RECTIFIER ASSEMBLY	21	38
53078	CAP, PLASTIC - TILT TUBE	41	7	63194	PAD, RUBBER - IGNITION COIL	15	2
53334	SEAL, SOUND ABSORBING - TOP	7	10	63195	COVER, IGNITION COIL	15	3
53417	GROUND STRAP ASSEMBLY	11	5	63473	TUBE	41	20
53665	INSERT, THROTTLE COUPLING	23	12	64505A1	RETAINER ASSEMBLY, PISTON	65	12
53720A2	THROTTLE PICK-UP BRACKET ASSEMBLY	23	10	64507A1	REPAIR KIT	65	-
54196A6	CARRIER ASSEMBLY, "O" RING	33	5	64954	BRACKET, TOP COWL SUPPORT - REAR	3	20
54283A1	PLUNGER AND LINK ASSEMBLY, CHOKE SOLENOID	23	6	65638	BOOT, TUBE MOUNT	45	8A
54293A4	CHOKE SOLENOID	23	1	65799	LINK, LOCKING LEVER TO COVER	35	29
				65800	"O" RING, CARRIER	33	6
				66084	BRACKET, MOUNTING - SHOCK CYLINDER (PORT)	61	7
				66094	COVER, TRANSFER PORT (BOTTOM)	31	30
				66096A1	PLATE ASSEMBLY, EXHAUST EXTENSION	37	1
				66165A2	ADAPTOR ASSEMBLY, DISTRIBUTOR	17	35

PARTS INDEX

Part Number	Description	Pg.	Ref. No.	Part Number	Description	Pg.	Ref. No.
66517	RESTRICITON, CRANKCASE BLEED	29	3	77520A1	BEARING CARRIER ASSEMBLY	51	64
66530A2	FUEL PUMP ASSEMBLY	27	1	77669	PIN, MOUNTING TUBE	63	46
66575	BASE, FUEL PUMP	27	16	78184	TUBE, EXHAUST	45	8
66599A1	DIAPHRAGM ASSEMBLY	27	3	78992	LEVER, THROTTLE CONTROL	17	14
67469	ROD, LINK - UPPER	17	12A	79019	COVER, EXHAUST MANIFOLD	31	20
69190	PLATE, COIL MOUNTING	15	10	86922A1	FRAME ASSEMBLY, TOP COWL SUPPORT	3	16
69205	"D" WASHER, CLIP FASTENING SCREW	9	15	N.S.S.	"O" RING (1 1/4" X 1 7/16" X 1/16")	65	4
69205	"D" WASHER, FUEL LINE CLIP SCREW	27	28	N.S.S.	"O" RING (1 3/4" X 1 15/16" X 1/8")	65	9
69205	"D" WASHER, WIRING HARNESS CLIP SCREW	21	12	N.S.S.	"O" RING (1 5/16" X 1 1/2" X 1/8")	65	7
69259	TUBE, MOUNTING - TILT STOP	63	45	N.S.S.	"O" RING (1 5/8" X 1 13/16" X 1/8")	65	6
70692	REVERSE LOCK ASSEMBLY	41	27	N.S.S.	"O" RING (1 7/8" X 2" X 1/8")	65	8
71808	COVER, WATER JACKET - CYLINDER BLOCK	31	13	N.S.S.	"O" RING (3/4" X 15/16" X 1/8")	65	2
73519A1	TILT STOP	63	44	N.S.S.	"O" RING (5/8" X 3/4" X 1/16")	65	3
73755A1	KNOB, CHOKE ROD	23	17	N.S.S.	"O" RING (7/32" X 11/32" X 1/16")	65	5
73984	YOKE, BOTTOM	39	15	N.S.S.	"O" RING, (1 1/2" X 1 5/8" X 1/16")	65	1
74257A3	PLATE ASSEMBLY, DRIVE SHAFT HOUSING	37	15	N.S.S.	PISTON, ROD - HEAVY DUTY	65	11
74406	BRACKET, MOUNTING - STARTER SOLENOID	57	40	N.S.S.	RETAINER, SCRAPER	65	14
74407	BRACKET, MOUNTING - STARTER SOLENOID	57	34	N.S.S.	ROD, SCRAPER	65	13
74528	TUBE, TILT - CLAMP BRACKET TO SWIVEL BRACKET	41	4	N.S.S.	SEAL, SLIPPER - PISTON	65	10
75043	CAP, THUMB SCREW	41	3	N.S.S.	SCREW, RETAINER TO FUEL PUMP (1/4")	27	10
75282	THRUST HUB AND WASHER ASSEMBLY	53	75	10-20037	SCREW, CENTER MAIN BEARING LOCKING	29	20
75296	MOUNT, RUBBER - UPPER	45	20	10-20359	SCREW	17	37
75299	MOUNT, RUBBER - LOWER	45	24	10-20362	SCREW, VALVE BODY TO RESERVOIR	55	4
75778	PLATE, BAFFLE - EXHAUST MANIFOLD	31	18	10-20411	SCREW, CLUSTER TO THROTTLE LEVER	23	8
75971A1	FRAME ASSEMBLY, TOP COWL SUPPORT	3	16	10-20847	SCREW, THROTTLE STOP LEVER	25	18
76039	CAM, SHIFT	51	49	10-21140	SCREW	57	35
76062A1	SHAFT ASSEMBLY, SHIFT - LOWER	49	39	10-21937	SCREW, LOWER SHOCK PIN	43	32
76367	POINTER, TIMING	31	33	10-22523	SCREW	23	29
76369	SPACER, BOTTOM COWL (COWL FRONT COVER)	35	7	10-22956	SCREW, REAR HOOK TO TOP COWL (7/8")	3	14
76370	SHIELD, TOP COWL - REAR	3	6	10-22968	SCREW, CENTER MAIN BEARING CLAMPING	33	13
76385	TILT LOCK ASSEMBLY (PORT)	41	22	10-23015	SCREW	23	29
76386	TILT LOCK ASSEMBLY (STARBOARD)	41	21	10-24234	SCREW	35	30
76387	TUBE, TILT LOCK	41	23	10-24234	SCREW	57	23
76395A5	HYDRAULIC PUMP ASSEMBLY	57	1	10-24234	SCREW, BRACKET TO CYLINDER BLOCK (1")	31	29
76395A5	HYDRAULIC PUMP ASSEMBLY, COMPLETE	55	-	10-24942	SCREW	61	34
76509A3	TRIM CYLINDER ASSEMBLY	61	1	10-25299	SCREW, CHOKE SOLENOID (3/4")	23	4
76867	COVER, STARTER MOTOR BRACKET - BOTTOM	29	13	10-28200	SCREW	39	12
77103A3	BRACKET ASSEMBLY, TOP COWL - FRONT	3	29	10-28634	SCREW, FILLER - HYDRAULIC PUMP	57	3

PARTS INDEX

Part Number	Description	Pg.	Ref. No.	Part Number	Description	Pg.	Ref. No.
10-28634	SCREW, FILLER - HYDRAULIC PUMP	55	8	10-49318	SCREW, LOWER MOUNT (5 1/2")	45	25
10-28636	SCREW	17	42	10-49554	BOLT	39	18
10-28636	SCREW	31	32	10-52195	SCREW, FLOAT BOWL COVER	25	13
10-28636	SCREW, TIMING POINTER ATTACHING (3/4")	31	34	10-53167	SCREW	31	15
10-29256	SCREW	45	36	10-53576	SCREW, MANIFOLD COVER MOUNTING	31	21
10-29722	SCREW, COVER TO LOWER CLAMP MOUNT	45	39	10-54803	SCREW, CONNECTING ROD	33	28
10-29794	SCREW, SWITCH BOX (3/8")	21	17	10-55511	SCREW	5	32
10-30720	SCREW	49	29	10-56500	SCREW	57	14
10-32293	SCREW, CRANKCASE TO CYLINDER BLOCK (1 3/4")	29	17	10-57807	SCREW, TRIM COVER TO BOTTOM COWL	45	6
10-32417	SCREW, FLEXIBLE PLATE TO FLYWHEEL (5/8")	9	5	10-57841	SCREW, CRANKCASE TO CYLINDER BLOCK (2 3/4")	29	17
10-32866	SCREW, INLET COVER TO BOAT (2")	61	38	10-60480	SCREW	37	20
10-34290	SCREW	59	43	10-62204	SCREW, REED STOP MOUNTING	33	21
10-37370	SCREW, COVER TO FUEL PUMP (5/8")	27	13	10-62568	SCREW	21	11
10-37370	SCREW, SHIELD TO TOP COWL (5/8")	3	7	10-62568	SCREW, FRONT AND REAR BRACKET ATTACHING	13	33
10-37558	SCREW, RETAINER TO TOP COWL (1 1/4")	3	4	10-62568	SCREW, FUEL LINE CLIP (3/8")	27	27
10-37559	SCREW	17	18	10-62568	SCREW, GROUND STRAP ATTACHING	45	6C
10-37562	SCREW, REAR BRACKET TO BOTTOM COWL (1")	3	27	10-62568	SCREW, GROUND STRAP ATTACHING (3/8")	11	6
10-37562	SCREW, REAR BRACKET TO FRAME (1")	3	24	10-62568	SCREW, GROUND STRAP ATTACHING (3/8")	31	37
10-37571	SCREW	37	5	10-62568	SCREW, IGINTION COIL WIRE TO SWITCH BOX (3/8")	15	9
10-37656	SCREW, RECTIFIER TO FRONT BRACKET (5/8")	21	39	10-62568	SCREW, MERCURY SWITCH LEAD	29	24
10-37892	SCREW	17	29	10-62568	SCREW, STATOR LEAD CLIP FASTENING (3/8")	9	14
10-38257	SCREW, VENT - HYDRAULIC PUMP	55	7	10-62568	SCREW, STATOR LEADS TO TERMINAL BLOCK (3/8")	21	14
10-38257	SCREW, VENT - HYDRAULIC PUMP	57	5	10-64022	SCREW, STOP BRACKET ADJUSTING (2 1/8")	19	44
10-38601	SCREW, SOLENOID TO BOTTOM COWL (5/8")	21	29	10-64279	SCREW	21	18
10-45263	SCREW	61	8	10-65210	SCREW	51	74
10-45264	SCREW	61	4	10-65774	SCREW, DISTRIBUTOR CAP CLAMP (1 1/8")	11	16
10-45265	SCREW, BLEED - SHOCK CYLINDER	61	2	10-66023	SCREW	37	10
10-45328	SCREW, SHOCK CYLINDER TO MOUNTING BRACKET (3 9/16")	61	19	10-66023	SCREW, ADAPTOR PLATE TO HOUSING PLATE (2")	37	8
10-45775	SCREW, MAIN BEARING CLAMPING	33	17	10-66024	SCREW, TRIM TAB TO GEAR HOUSING (1 3/4")	51	71
10-47255	SCREW	61	31	10-66104	SCREW, THROTTLE BRACKET MOUNTING	23	11
10-47828	SCREW, DRIVE - SWIVLE BRACKET	39	6	10-66686	SCREW, FUEL PUMP TOBASE (1")	27	15
10-48408	SCREW	35	15	10-66687	SCREW, FUEL PUMP TO BOTTOM COWL (1 1/2")	27	17
10-48408	SCREW, DRIP TRAY TO BOTTOM COWL (1/2")	35	4	10-68298	BOLT	41	13
10-48591	SCREW, SPACER TO BOTTOM COWL (1/2")	35	8	10-68298	BOLT	61	9
10-48591	SCREW, STRAP TO CHOKE ROD (1/2")	23	23	10-68298	BOLT, HYDRAULIC PUMP TO BOAT (3 1/4")	57	26
				10-68299	BOLT	41	13

PARTS INDEX

Part Number	Description	Pg.	Ref. No.	Part Number	Description	Pg.	Ref. No.
10-68513	SCREW	61	27	11-26768	NUT, DISTRIBUTOR CAP		
10-68554	SCREW, PULLEY CLAMPING	19	56		CLAMP SCREW	11	17
10-68997	SCREW, PLATE/HUB TO FLEX.PLATE	9	6	11-28770	NUT	5	36
10-69020	SCREW	21	4	11-28770	NUT, CLAMP BRACKET STUD	41	11
10-69028	SCREW	59	41	11-28770	NUT, MOUNTING BRACKET TO CLAMP BRACKET STUD	61	18
10-69029	SCREW, ADAPTOR TO BOTTOM COWL (1 3/4")	27	38		NUT	29	19
10-69029	SCREW, SUPPORT TO BOTTOM COWL (1 3/4")	35	11	11-29250	NUT, INLET COVER SCREW	63	40
10-69034	SCREW, END CAP MOUNTING	31	6	11-29488	NUT	45	32
10-69034	SCREW, END CAP MOUNTING (1")	31	12	11-29489	NUT	3	23
10-69035	SCREW, WIRE CABLE TO STARTER MOTOR	21	21	11-29598	NUT	3	23
10-69046	SCREW, COIL TO CYLINDER BLOCK (2")	15	4	11-34932	NUT, POWERHEAD STUD	37	23
10-69052	SCREW, GROUND WIRE TO BOTTOM COWL	21	8	11-34933	NUT	45	30
10-69092	SCREW	3	30	11-34933	NUT	51	73
10-69100	SCREW, TRANSFER PORT COVER MOUNTING (1")	31	32	11-34933	NUT, STEERING ARM BOLT FASTENING	39	19
10-69100	SCREW, COVER MOUNTING (1")	31	25	11-34933	NUT, UPPER MOUNT BOLT	45	23
10-69235	SCREW	29	23	11-35521	NUT, LOWER MOUNT CLAMP COVER	45	38
10-69267	SCREW, TOP COVER ATTACHING (1 3/4")	29	10	11-35814	NUT, WATER PUMP BODY FASTENING STUD	49	34
10-69268	SCREW, BOTTOM ATTACHING (1 7/8")	29	14	11-35888	NUT, RUBBER MOUNT TO TOP COWL FRAME	3	19
10-69375	SCREW	43	41	11-35888	NUT, THROTTLE CABLE TO LOWER SWIVEL	17	23
10-69762	SCREW, TOP COVER ATTACHING (1 3/8")	29	10	11-35888	NUT, UPPER LINK ROD THROTTLE CONTROL LEVER	17	17
10-73657	SCREW, CRANKCASE TO CYLINDER BLOCK (1 1/2")	29	17	11-35888	NUT, WATER PUMP FASTENING SCREW	49	32
10-75840	SCREW, STATOR TO UPPER END CAP (7/8")	9	12	11-35921	NUT, PINION GEAR TO DRIVE SHAFT	47	10
10-76196	SCREW, STRAP TO CHOKE KNOB (5/8")	23	20	11-36069	NUT, LINK ROD	35	22
10-78492A1	THUMB SCR W ASSEMBLY	41	2	11-45076	NUT, IGNITION COIL TERMINAL (#10)	15	7
10-78495	SCREW, WASHER ATTACHING	41	2A	11-45076	NUT, STATOR LEADS TO RECTIFIER	21	42
10-79953	SCREW, GREASE FILLER AND VENT HOLE	49	47	11-45076	NUT, SWITCH BOX TERMINAL	21	16
11-20110	NUT	23	31	11-45774	NUT, MAIN BEARING CLAMPING SCREW	33	18
11-20110	NUT, CHOKE SHUTTER TO CARBURETOR STUD	23	27	11-45812	NUT, JAM - LIMIT SWITCH ADJUSTING STUD	61	24
11-20509	NUT, THROTTLE CONTROL LEVER SCREW	17	21	11-46438	NUT, STRAP TO CHOKE ROD SCREW	23	24
11-20696	NUT, SHOCK CYLINDER SCREW	61	21	11-46887	NUT, BEARING CLAMPING SCREW	33	14
11-21825	NUT, STARTER SOLENOID SCREW	59	45	11-46887	NUT, CHOKE ROD SPRING TO CARBURETOR STUD	23	35
11-21908	NUT, MOUNTING BRACKET SCREW	57	25	11-46887	NUT, LOWER SHOCK PIN SCREW	43	33
11-24656	NUT	57	37	11-46887	NUT, SWITCH BOX SCREW	21	19
11-25096	NUT, LOWER MOUNT SCREW	45	27	11-47661	NUT, JAM - PUSH ROD	45	16
11-25269	NUT, STRAP STOP FASTENING SCREW	39	13	11-49091	NUT, CONNECTING ROD SCREW	33	29
				11-52707	NUT, PROPELLER	53	77
				11-52901	NUT, FLYWHEEL	9	2
				11-53153	NUT, REED STOP SCREW	33	22

PARTS INDEX

Part Number	Description	Pg.	Ref. No.	Part Number	Description	Pg.	Ref. No.
11-56041	NUT, TILT TUBE FASTENING	41	6	12-35462	WASHER, LINK ROD	35	21
11-64015	NUT, STARTER MOTOR TERMINAL	21	27	12-35462	WASHER, STOP BRACKET FASTENING SCREW	19	43
11-64015	NUT, STOP BRACKET ADJUSTING SCREW	19	45	12-35462	WASHER, TIMING POINTER SCREW	31	35
11-64015	NUT, THROTTLE ACTUATOR COLLAR ADJUSTING SCREW	17	26	12-36001	WASHER, WATER PUMP BODY FASTENING STUD	49	33
11-64809	NUT, CARBURETOR MOUNTING STUD	25	35	12-37807	WASHER, SHOCK CYLINDER SCREW (STARBOARD ONLY)	61	20
11-68219	NUT, SOLENOID TERMINAL	23	3	12-45176	WASHER	45	31
11-68219	NUT, SOLENOID TERMINAL (#10)	21	33	12-45176	WASHER	45	33
11-68219	NUT, STARTER SOLENOID TEMRINAL (#10)	57	30	12-45176	WASHER	51	72
11-68292	NUT, SOLENOIDD TERMINAL (5/16")	21	36	12-46246	WASHER, ADAPTOR - DISTRIBUTOR HOUSING .	17	34
11-68292	NUT, STARTER SOLENOID TERMINAL (5/16")	57	32	12-47247	WASHER, NEEDLE LOCATING	33	31
11-68411	NUT, CLAMP BRACKET BOLT	41	15	12-47840	WASHER, RUBBER - UPPER MOUNT BOLT	45	21
11-68411	NUT, HYDRAULIC PUMP BOLT	57	27	12-49339	WASHER, LOWER MOUNT SCREW	45	26
11-68411	NUT, MOUNTING BRACKET BOLT	61	11	12-52864	WASHER, CLAMP BRACKET TILT TUBE	41	5
11-69254	NUT, POWERHEAD STUDS (3/8-24)	45	11	12-53540	WASHER	17	5
12-20084	WASHER, DISTRIBUTOR HOUSING SCREW	17	38	12-59378	WASHER, LOWER BUSHING RETAINER (INNER)	43	39
12-20260	WASHER	49	48	12-59572	WASHER, COVER FASTENING KNOB (PLASTIC)	7	4
12-20260	WASHER	57	4	12-68229	WASHER, FLYWHEEL NUT .	9	3
12-20260	WASHER, SEALING - FILLER SCREW	55	9	12-68300	WASHER, CLAMP BRACKET BOLT (UPPER)	41	14
12-20878	WASHER, INLET COVER SCREW	63	39	12-68410	WASHER, CLAMP BRACKET BOLT (LOWER)	41	14
12-22753	WASHER	29	18	12-68410	WASHER, MOUNTING BRACKET BOLT	61	10
12-25970	WASHER, POWERHEAD STUD	37	22	12-69342	WASHER, SWIVEL - UPPER	39	4
12-25970	WASHER, POWERHEAD STUDS	45	12	12-69374	WASHER	43	40
12-27939	WASHER, DISTRIBUTOR HOUSING	19	47	12-69380	WASHER, SWIVEL PIN - LOWER	39	10
12-28196	WASHER, UPPER BUSHING RETIANER (INNER)	43	38	12-70132	WASHER	31	16
12-29245	WASHER	49	31	12-76388	WASHER, TILT LOCK (STARBOARD SIDE ONLY)	41	25B
12-29245	WASHER, MEGAPHONE SCREW	37	21	12-76805	WASHER	51	62
12-29245	WASHER, THROTTLE CONTROL LEVER SWIVEL	17	16	12-77674	WASHER, RUBBER - SHIFT SHAFT BUSHING	49	44
12-29395	WASHER, THROTTLE CONTROL LEVER SCREW	17	19	12-78493	WASHER, THUMB SCREW .	41	2B
12-30164	WASHER	17	30	13-26992	LOCKWASHER	3	22
12-30164	WASHER, COIL SCREW . . .	15	5	13-26992	LOCKWASHER	3	31
12-30164	WASHER, WIRING HARNESS CLAMP SCREW	21	6	13-26992	LOCKWASHER	21	30
12-30771	WASHER, COVER FASTENING KNOB (RUBBER)	7	3	13-26992	LOCKWASHER, GROUND WIRE SCREW	21	9
12-31263	WASHER, UPPER MOUNT BOLT	45	22	13-26992	LOCKWASHER, MOUNTING BRACKET SCREW	57	36
				13-26992	LOCKWASHER, MOUNTING BRACKET SCREW	59	42
				13-26992	LOCKWASHER, REAR HOOK MOUNTING SCREW	3	15

PARTS INDEX

Part Number	Description	Pg.	Ref. No.	Part Number	Description	Pg.	Ref. No.
13-26992	LOCKWASHER, STARTER SOLENOID SCREW	59	44	15-30923A1	SHIM	51	53
13-26992	LOCKWASHER, WATER PUMP BODY SCREW	49	30	15-47248A1	SHIM, END CAP TO CRANKCASE (.006-8-10)	31	5
13-26993	LOCKWASHER	5	33	15-55853	SHIM, BALL BEARING TO DISTRIBUTOR HOUSING	11	8
13-26993	LOCKWASHER	5	35	15-57007A1	SHIM, BALL BEARING TO BASE	47	11
13-26993	LOCKWASHER, BOTTOM COVER SCREW	29	15	16-21085	STUD, ADJUSTING - CUT-OUT LIMIT SWITCH (15/16")	61	23
13-26993	LOCKWASHER, CHOKE SOLENOID SCREW	23	5	16-30667	STUD	47	6
13-26993	LOCKWASHER, CLAMP BRACKET STUD	41	10	16-39937	STUD, CHOKE ROD SRPING TO CARBURETOR	23	33
13-26993	LOCKWASHER, MOUNTING BRACKET TO CLAMP BRACKET STUD	61	17	16-45282	STUD, MOUNTING BRACKET AND CLAMP BRACKET	61	16
13-26993	LOCKWASHER, REAR BRACKET SCREW	3	26	16-56295	STUD	45	2
13-26993	LOCKWASHER, REAR SUPPORT BRACKET SCREW	3	28	16-56297	STUD	47	5
13-26993	LOCKWASHER, SOLENOID TERMINAL (5/16")	21	35	16-57920	STUD	47	4
13-26993	LOCKWASHER, TOP COVER SCREWS	29	11	16-57921	STUD, GEAR HOUSING TO DRIVE SHAFT HOUSING (4")	47	3
13-26995	LOCKWASHER, FLOAT BOWL COVER SCREW	25	15	16-59625	STUD	41	9
13-26996	LOCKWASHER	17	31	16-64280	STUD, CARBURETOR MOUNTING (1 3/16")	29	4
13-26996	LOCKWASHER	57	29	16-64281	STUD	29	5
13-26996	LOCKWASHER, RETAINING PLATE AND CAM SCREW	61	28	16-64282	STUD	29	8
13-26996	LOCKWASHER, SOLENOID TERMINAL (#10)	21	32	16-69037	STUD, CARBURETOR - CHOKE SHUTTER PIVOT	23	26
13-26996	LOCKWASHER, SOLENOID TERMINAL	23	2	17-20032	DOWEL PIN, MAIN BEARING	33	16
13-26996	LOCKWASHER, THRU BOLT	55	18	17-20032	DOWEL PIN, CENTER MAIN BEARING	33	8
13-26996	LOCKWASHER, WIRING HARNESS CLAMP SCREW	21	5	17-20033	PIN, DOWEL - CRANKCASE TO CYLINDER BLOCK	29	6
13-27959	WASHER	19	49	17-23784	DOWEL PIN, DRIVE SHAFT HOUSING PLATE	37	17
13-29720	WASHER, WAVE - LINK ROD	35	23	17-23784	DOWEL PIN, EXHAUST EXTENSION PLATE	37	6
13-37371	LOCKWASHER, SHIELD SCREW	3	8	17-26618	PIN, DOWEL - PULLEY TO FLYWHEEL	9	7
13-39107	LOCKWASHER, MOUNTING BRACKET SCREW	57	24	17-27961	PIN, ECONOMIZER COLLAR - SPRING RETAINER	17	7
13-39107	LOCKWASHER, RETAINER TO TOP COWL SCREW	3	5	17-27962	PIN, ANCHOR SPRING - DISTRIBUTOR HOUSING	17	3
13-39954	WASHER	17	15	17-29077	ROLL PIN, TENSION SPRING TO KNOB	7	6
13-69150	WASHER	41	25	17-29908	PIN, ROLL - FLANGE LOCATING	19	53
14-20091	TAB WASHER, BEARING LOCKING SCREW	29	21	17-30632	PIN, CROSS - RATCHET TO PROPELLAR SHAFT	51	58
14-27960	TAB WASHER, ADAPTOR CAP FASTENING	19	48	17-35973	DOWL PIN	47	19
14-31210	TAB WASHER, PROPELLER NUT	53	76	17-38311	PIN, COIL SPRIN MOUNTING	41	18
14-52700	TAB WASHER,GEAR HOUSING COVER	51	68	17-46912	DOWEL PIN, GEAR HOUSING LOCATING	47	2
15-20085A1	SHIM, END CAP TO CRANKCASE (.002-3-5-10)	31	11	17-47175	PIN, LOCKING LEVER AND COVER FASTENING	35	27
15-21148A1	SHIM, BALL BEARING TO SPACER	11	10	17-47246	DOWEL PIN, STEPPED	33	12
				17-49930A1	TILT LOCK PIN ASSEMBLY	41	12
				17-58998	PIN, ROLL - COWL LATCH LEVER TO HINGE	3	12

PARTS INDEX

Part Number	Description	Pg.	Ref. No.	Part Number	Description	Pg.	Ref. No.
17-73593A1	SWIVEL PIN AND ARM ASSEMBLY	39	14	23-29804	SLEEVE, GUIDE - WATE INLET TUBE	49	36
18-25191	COTTER PIN, PUSH ROD PIN	45	19	23-32171	BUSHING, RUBBER - SHOCK ABSORBER (UPPER)	43	35
18-36391	COTTER PIN, MOUNTING TUBE PIN	63	47	23-32427	SPACER, CHOKE ROD SPRING STUD	23	34
18-45882	COTTER PIN, REVERSE LOCK TO SHAFT	43	30	23-35977	GROMMET, RUBBER - LIFT HOSE AND TRIM HOSE	63	43
18-47959	COTTER PIN, TILT LOCK	41	26	23-45280	SPACER, SHOCK CYLINDER - LOWER	61	5
19-45907	PLUG, FLYWHEEL PULLER THREADS	9	1	23-45281	BUSHING, RUBBER - SHOCK CYLINDER	61	6
19-64649	PLUG, PLASTIC - TRIM TAB SCREW HOLE	45	3	23-45354	BUSHING, RUBBER - CUT-OUT LIMIT SWITCH	61	30
21-30430A7	CHECK VALVE ASSEMBLY	27	2	23-45818	BUSHING, THROTTLE CONTROL LEVER SCREW	17	20
21-77560	CHECK VALVE, BLEED HOSE - UPPER	29	25	23-47250	SPACER, DRIVE PULLEY	19	51
21-77561	CHECK VALVE, BLEED HOSE - LOWER	29	27	23-48674	SPACER, THROTTLE ACTUATOR PLATE SCREW	17	32
22-20781	ELBOW, BALANCE HOSE	29	28	23-53538	SPACER, ROTOR SHAFT	11	11
22-25094	FITTING, GREASE - DISTRIBUTOR ADAPTOR	17	36	23-53539	SLEEVE, ROTOR SHAFT	11	3
22-25094	FITTING, GREASE - ECONOMIZER COLLAR	17	8	23-56774	SPACER, COLLAR TO TOP MOUNTING CAP	21	23
22-32802	PLUG, PIPE - EXHAUST MANIFOLD COVER	31	22	23-59624	SPACER, CLAMP BRACKET STUD	41	8
22-46008	PLUG, CONTROL VALVE (1/2-20")	57	17	23-62238--1	SLEEVE, SPARK PLUG LEAD (7")	11	28A
22-63981	ELBOW, FUEL LINE TO ADAPTOR	27	24	23-69132	BUSHING, REVERSE LOCK PIVOT SHAFT	39	2
22-64704	FITTING, ELBOW - LOWER CARBURETOR	27	31	23-69341	BUSHING, SWIVEL BRACKET	39	3
22-64704	FITTING, FUEL OUTLET	27	14	23-70412	SPACER, BALL BEARING TO BASE	47	11
22-64704	FITTING, PULSE LINE (90 DEG.)	27	18	23-73203	SPACER	43	37
22-64704	FITTING, PULSE LINE TO TRANSFER COVER (90 DEG.)	27	22	23-77631A2	BUSHING ASSEMBLY, SHIFT SHAFT	49	42
22-64706	FITTING, TEE - CENTER CARBURETOR	27	30	24-20099	SPRING, LINK ROD TO GUIDE BLOCK	35	31
22-66328	FITTING, TEE - UPPER CARBURETOR	27	29	24-23067	SPRING, ADAPTOR STEM	27	35
22-67892	PLUG, DRAIN (MAGNETIC)	49	47	24-24390	SPRING, TENSION - ADJUSTING STUD	61	22
22-68307	PLUG, PIPE - CYLINDER BLOCK COVER	31	27	24-27944	SPRING, HORSESHOE - DISTRIBUTOR HOUSING	17	4
22-74036	FITTING, GREASE - SWIVEL BRACKET	39	7	24-28659	SPRING, COIL - SWIVEL BRACKET	41	17
22-74036	GREASE FITTING	61	1A	24-28975	SPRING, GARTER - INTERNAL WIRING HARNESS	21	7
22-78279	ELBOW, TELL TALE HOSE TO CYLINDER BLOCK	35	16	24-30622	SPRING, COMPRESSION - CAM FOLLOWER	51	52
22-78742	TEE, BALNCE HOSE	29	30	24-30772	SPRING, TENSION - FASTENING KNOB	7	5
22-85822A1	CONNECOTR ASSEMBLY, SPEEDOMETER	47	1A	24-30893	SPRING, RETAINING - CROSS PIN	51	59
23-26600	BUSHING, SHIFT SHAFT	35	18	24-35522	SPRING, TENSION - LOWER MOUNT CLAMP	45	35
23-27132	BUSHING, NYLON - EXHAUST EXTENSION PLATE	37	2	24-45272	SPRING, TENSION - LIMIT SWITCH PLUNGER	61	15
23-28198	BUSHING, RUBBER - SHOCK ABSORBER (LOWER)	43	36				
23-28688	SPACER, RUBBER - COIL SPRING POSITIONING	41	19				

PARTS INDEX

Part Number	Description	Pg.	Ref. No.	Part Number	Description	Pg.	Ref. No.
24-57818	SPRING, UPPER FILTER			27-32433	GASKET	47	20
	SCREEN SCREW	23	30	27-32434	GASKET	47	22
24-68434	SPRING, PULSE LINE	27	19	27-33146	GASKET, WATER PUMP		
24-78203A1	SPRING, REVERSE LOCK				BASE	47	14
	TENSION	41	28	27-45274	GASKET, INLET COVER	61	36
25-20116	GROMMET, CHOKE ROD	23	18	27-45275	GASKET, LIMIT SWITCH		
25-20415	"O" RING, ADAPTOR STEM	27	36		COVER	61	33
25-21720	"O" RING	57	--	27-48164	GASKET, CARBURETOR		
25-21720	"O" RING	57	12		FLANGE	25	34
25-21720	"O" RING, HYDRAULIC			27-53862	GASKET, CRANKCASE TO		
	PUMP	55	1		CYLINDER BLOCK	29	2
25-21720	"O" RING, HYDRAULIC			27-55896	GASKET, DISTRIBUTOR CAP	11	24
	PUMP TO MANIFOLD			27-60476A75	GASKET SET	1	-
	PLATE	57	2	27-60476A75	GASKET SET	13	-
25-25439	"O" RING, SHIFT SHAFT			27-60476A75	GASKET SET	25	-
	BUSHING	49	41	27-60476A75	GASKET SET	27	-
25-26547	GROMMET, HIGH TENSION			27-60476A75	GASKET SET	31	-
	CABLE	11	19	27-60476A75	GASKET SET	33	--
25-26547	GROMMET, SPARK PLUG			27-60476A75	GASKET SET	37	-
	LEADS	11	29	27-60476A75	GASKET SET	43	-
25-29976	"O" RING, BEARING			27-60476A75	GASKET SET	49	-
	CARRIER	51	63	27-60476A75	GASKET SET	53	-
25-30271	RING	49	35	27-62362	GASKET	37	18
25-32546	"O" RING, END CAP	31	10	27-64941	GASKET, TRANSFER PORT		
25-33145	"O" RING, WATER PUMP				COVER	31	31
	BASE	47	15	27-66102	GASKET, PLATE TO DRIVE		
25-45016	"O" RING, SHOCK CYLINDER				SHAFT HSG. PLATE	37	11
	BLEED SCREW	61	3	27-69238	GASKET, POWERHEAD TO		
25-45253	"O" RING	57	13		EXTENSION PLATE	37	7
25-45254	"O" RING	57	11	27-72142	GASKET, WATER JACKET		
25-45507	GROMMET, RUBBER - INLET				COVER	31	14
	COVER	61	37	27-72506	GASKET, CYLINDR BLOCK		
25-47254	"O" RING	31	4		COVER	31	24
25-57806	GROMMET, PLASTIC - TRIM			27-72507	GASKET, CYLINDER BLOCK		
	COVER SCREW	45	6A		TO BAFFLE PLATE	31	17
25-62702	"O" RING, TILT LOCK	41	25C	27-72509	GASKET	31	19
26-22734	OIL SEAL, SWIVEL			28-29910	KEY, DISTRIBUTOR DRIVER	19	55
	BRACKET (TILT LOCK)	41	25A	28-30281	KEY, LOCATING - BEARING		
26-29476	OIL SEAL, END CAP	31	3		CARRIER	51	67
26-29476	OIL SEAL, END CAP	31	9	28-56654	KEY, IMPELLER DRIVE	49	28
26-31489	OIL SEAL, WATER PUMP			29-47270	BEARING, NEEDLE - PISTON		
	BASE	47	17		PIN	33	30
26-31507	OIL SEAL, WATER PUMP			29-52168	BEARING, NEEDLE - OUTER		
	BASE	47	18		RACE	33	9
26-37448	OIL SEAL, SWIVEL			30-20066	BALL BEARING,		
	BRACKET	39	5		DISTRIBUTOR HOUSING		
26-38970	SEAL, RUBBER - WATER				(UPPER)	11	1
	INLET TUBE	37	16	30-26379	BALL BEARING,		
26-38970	SEAL, RUBBER - WATER				DISTRIBUTOR HOUSING		
	INLET TUBE	47	26		(LOWER)	11	9
26-55682A1	SEAL KIT	49	-	30-62567	BEARING, BALL - UPPER	33	3
26-60476A75	GASKET SET	29	-	30-63742	BEARING, BALL - LOWER	33	4
26-60898	SEAL, DRIVE SHAFT			31-30894A1	TAPERED ROLLER BEARING		
	HOUSING PLATE	37	14		ASSEMBLY	51	54
26-70608	OIL SEAL, STARBOARD			31-30895	BEARING, ROLLER -		
	MOUNTING BRACKET	61	13		FORWARD GEAR	51	55
26-76384	OIL SEAL, SHIFT SHAFT			31-30956	BEARING, ROLLER -		
	BUSHING	49	43		BEARING CARRIER	51	65
26-76868	OIL SEAL, BEARING			31-32898	BEARING, ROLLER - DRIVE		
	CARRIER	51	66		SHAFT	47	7

PARTS INDEX

Part Number	Description	Pg.	Ref. No.	Part Number	Description	Pg.	Ref. No.
31-62596A1	BEARING ASSEMBLY, CRANKPIN	33	27	50-72467	STARTER MOTOR ASSEMBLY	21	25
31-69220	ROLLER BEARING, DRIVE SHAFT	47	12	52-34239	RATCHET, SLIDING GEAR	51	57
32-34395A1	HOSE	35	13	53-26406	RING	11	12
32-34395A1	HOSE, BALANCE - MAIN BERING (6 1/4")	29	29	53-26933	RING, SNAP - OUTER RACE	33	11
32-34395A1	HOSE, DRIP TRAY TO BOTTOM COWL (8")	35	5	53-29641	"E" RING, RETAINING - SHIFT SHAFT	49	40
32-45327	HOSE, TRIM	63	41	53-73591	RETAINING RING, BOTTOM YOKE ATTACHING	39	16A
32-45959	HOSE, LIFT	63	42	54-22627	CLIP	9	13
32-54936	HOSE, BLEED (22")	29	26	54-22627	CLIP, FUEL LINE ATTACHING	27	26
32-60897	TUBE, WATER INLET	45	7	54-24871	CLIP, STATOR LEAD FASTENING (5/8")	9	13
32-70432	FUEL LINE	27	25	54-26538	CLIP, STATOR LEADS TO BLOCK (1/8")	21	10
32-70432	FUEL LINE	27	32	54-60768	CLAMP, DISTRIBUTOR CAP TO DISTRIBUTOR HSG.	11	15
32-70432	FUEL LINE, ADAPTOR TO FUEL PUMP (6 3/4")	27	23	54-68424	CLAMP, FUEL LINE ATTACHING	27	21
32-70432	PULSE LINE (3 1/4")	27	20	54-76368	CLAMP, WIRING HARNESS TO BOTTOM COWL	21	3
33-68057	SPARK PLUG (CHAMPION L-76V)	11	25	55-28414	PIN, LOWER SHOCK MOUNTING	43	31
34-56007A1	REED SET, MATCHED - MAIN BEARING	33	19	55-28416	PIN, UPPER SHOCK MOUNTING	41	16
34-56008	REED STOP, MAIN BEARING REED VALVES	33	20	55-58780A2	SHOCK ABSORBER	43	34
35-57819	SCREEN ASSEMBLY, FILTE - CARBURETOR	23	28	84-60466A1	CABLE ASSEMBLY	15	6
35-59072	SCREEN, FILTER - INLET	27	8	84-63212A2	SPARK PLUG LEAD ASS'Y #1, 2, 3, 4, 5, AND 6	11	26
37-73291	DECAL, TIMING (FLYWHEEL)	3	17	84-66008A1	WIRE	17	40
37-78741A78	DECAL SET - SERIAL GROUP #1	1	-	84-66054A2	CABLE ASSEMBLY, COIL TO SWITCH BOX	15	8
37-86432A79	DECAL SET - SERIAL GROUP #2	1	-	84-69207A1	CABLE ASSEMBLY, CAP TO COIL	11	18
39-78811A12	RING, PISTON	33	--	84-69236	WIRING HARNESS, INTERNAL	21	1
39-78816A12	RING, PISTON	33	25	84-69237	CABLE, WIRE - STARTER MOTOR TO SOLENOID	21	34
40-52035	LOCK RING, PISTON PIN	33	24	84-74023	CONNECTOR AND HARNESS	57	18
43-68447	FORWARD GEAR	51	56	85-71006A1	PROTECTOR, SPARK PLUG LEAD	11	27
43-68548	GEAR, PINION - DRIVE SHAFT	47	9	89-68258	SOLENOID, STARTER	21	28
43-76250	REVERSE GEAR	51	61	89-68258	STARTER SOLENOID	57	28
44-52542	SHAFT, PROPELLER	51	60	90-79176	MERC 90 PARTS LIST	1	-
45-69251	DRIVE SHAFT	47	8	92-25234--1	GLUE, ADHESIVE - BLANKET FASTENING	7	--
46-64141A1	WATER PUMP BODY ASSEMBLY	47	23	92-27109--1	ADHESIVE COMPOUND, EMBLEM FASTENING	7	--
46-73804A1	WATER PUMP BASE ASSEMBLY	47	16	97-	LEVER, THROTTLE (SEE NOTE BELOW)	25	17
46-73804A3	WATER PUMP KIT	49	-	195-4541	SCREW, PLUG - MAIN FUEL JET CHANNEL	25	29
47-65960	IMPELLER, WATER PUMP	49	27	225-2494A30	FLYWHEEL ASSEMBLY, COMPLETE	9	4
48-77338A4	PROPELLER ASSEMBLY (ALUMINUM)(PITCH 11")	68	-	225-2494A37	FLYWHEEL ASSEMBLY, COMPLETE	9	4
48-77340A4	PROPELLER ASSEMBLY (ALUMINUM)(PITCH 13")	68	-	332-2854	BOOT, HIGH TENSION CABLE TO COIL	11	20
48-77342A4	PROPELLER ASSEMBLY (ALUMINUM)(PITCH 15")	68	-				
48-77344A4	PROPELLER ASSEMBLY (ALUMINUM)(PITCH 17")	68	-				
48-77346A4	PROPELLER ASSEMBLY (ALUMINUM)(PITCH 19")	68	-				
48-77348A4	PROPELLER ASSEMBLY (ALUMINUM)(PITCH 21")	68	-				

PARTS INDEX

Part Number	Description	Pg.	Ref. No.	Part Number	Description	Pg.	Ref. No.
332-2986A21	SWITCH BOX ASSEMBLY ..	21	15	1395-4543	SCREW, BODY CHANNEL ..	25	32
332-4895A2	IGNITION COIL ASSEMBLY .	15	1	1395-4555	INLET NEDLE, SEAT AND GASKET	25	6
392-2529	SPRING SET, BRUSH TENSION	55	16	1395-4804	SCREW, FLOAT BOWL COVER	25	14
392-2618	CAN, VALVE BODY	55	3	1395-4808	GASKET AND PACKING SET (1 PER CARBURETOR) ..	25	--
392-2623	WASHER, THRUS - ARMATURE	55	10	1395-5108	SHUTTER, THROTTLE	25	22
392-2936	VALVE BODY AND GEAR ASSEMBLY	55	2	1395-5353	FLOAT ASSEMBLY	25	2
392-2937	SEAL, RESERVOIR TO VALVE BODY AND GEAR	55	5	1395-5680	COVER, FLOAT BOWL	25	10
392-2938	BOLT SET	55	17	1395-5733	JET, BOWL VENT	25	11
392-2939	RESERVOIR ASSEMBLY ...	55	6	1395-5734	HOSE, ECONOMIZER	25	12
392-2940	PLATE ASSEMBLY, COMMUTATOR END	55	14	1395-6029	JET, MAIN FUEL (.068)	25	28
392-2941	BRUSH SET, COMMUTATOR END PLATE	55	15	1395-6030	JET, MAIN FUEL (.070) - STANDARD	25	28
392-2942	FIELD AND FRAME ASSEMBLY	55	12	1395-6207	JET, MAIN FUEL (.072)	25	28
392-2943	ARMATURE, FIELD AND FRAME	55	11	1395-7257	REPAIR PARTS KIT (1 PER CARBURETOR)	25	--
392-2944	BALL, COMMUTATOR END PLATE	55	13	1399-3527	SHAFT, THROTTLE	25	19
393-1293A1	BRUSH AND SPBRING ASSEMBLY	11	--	1399-3794	JET, MAIN FUEL (.074)	25	28
393-3736A77	HOUSING ASSEMBLY, DISTRIBUTOR	11	4	1440-6625A3	CLAMP BRACKET ASSEMBLY	41	1
393-3736A77	HOUSING ASSEMBLY, DISTRIBUTOR	17	1	1482-6386A4	SWIVEL BRACKET ASSEMBLY	39	1
393-4312	ROTOR, DISTRIBUTOR	11	14	1573-5239A4	DRIVE SHAFT HOUSING ASSEMBLY	45	1
393-4313	DISC, ROTOR	11	13	1623-6053A15	GEAR HOUSING ASS'Y, COMP.	51	-
393-4841A2	DISTRIBUTOR CAP ASSEMBLY	11	22	1623-6053A15	GEAR HOUSING ASS'Y, OCMP.	47	-
398-4793	STATOR, ALTERNATOR (NOT AS SHOWN)	9	11	1623-6053A5	GEAR HOUSING ASS'Y	47	1
436-6646A2	CRANKSHAFT ASSEMBLY .	33	1	1623-6053A5	GEAR HOUSING ASS'Y	51	1
535-5397A4	CENTER MAIN BEARING ASSEMBLY	33	7	1655-7333A23	GEAR HOUSING ASS'Y	47	1
540-5266A5	MAIN BEARING ASSEMBLY, VALVE TYPE	33	15	1655-7333A23	GEAR HOUSING ASS'Y	51	1
622-4850A3	CONNECTING ROD AND CAP ASSEMBLY	33	26	1655-7333A24	GEAR HOUSING ASS'Y, COMP.	47	-
745-6661A4	PISTON AND PISTON PIN ASSEMBLY	33	23	1655-7333A24	GEAR HOUSING ASS'Y, COMP.	51	-
745-6696A2	PISTON AND PISTON ASSEMBLY	33	--	2113-5631A4	COWL FRONT COVER ASSEMBLY	7	1
852-6622A3	CYLINDER BLOCK AND CRANKCASE ASSEMBLY	29	1	2114-5999	COWL, TOP (WITHOUT DECALS)	3	1
852-6622A3	CYLINDER BLOCK AND CRANKCASE ASSEMBLY	31	1	2115-6462	COWL, BOTTOM	35	1
1023-5070	COVER, CYLINDER BLOCK .	31	23	2136-4660A4	WRAP AROUND COWL ASSEMBLY	7	11
1134-3197A1	END CAP ASSEMBLY	31	2				
1148-5410A1	END CAP ASSEMBLY, LOWER	31	7				
1368-5702A9	CARBURETOR ASSEMBLY .	25	1				
1368-5702A9	CARBURETOR ASSEMBLY, COMPLETE	23	9				
1395-4540	SCREW, BODY (IDLE TUBE)	25	21				
1395-4542	SCREW, PLUG - MAIN NOZZLE	25	27				