

NUMBER: 79-11**DATE: 7120179**

**CIRCULATE TO:
SERVICE MANAGER
PARTS MANAGER
MECHANICS**

- A. Model 1980 V-200,2:1 Gear Ratio**
- B. Zinc Chromate Primer - NLA**
- C. Installation Instructions and Manuals**
- D. Guide Tube Kits - Mercury 40 and 50 HP with Tiller Handle**
- E. Steering Attachment - All 1980 V-6 Models**
- F. Switch Box Rework - 1979 Model 6-Cyl. In-Line Outboards**

A. MODEL 1980 V-200,2:1 GEAR RATIO

(Attach Service Bulletin Sticker on P. 1-12 in Your V-6 C-9086133 Service Manual.)

Model 1980 V-200 Outboards have a 2:1 gear ratio that will require a change in propeller pitch, compared to 1978-79 models (1.87:1).

Example: If a 1978-79 model requires a 21" pitch propeller to achieve recommended RPM, the 1980 model will require a 23" pitch propeller to obtain the same results.

B. ZINC CHROMATE PRIMER - N.L.A.

(Attach Service Bulletin Sticker in Your Outboard Tool Catalog.)

Zinc Chromate Primer paint is NLA (No Longer Available) and has been replaced with a gray-colored primer. Order the new primer under the following part numbers:

C-92-78374-12	U.S. Part No.
C-92-89146-12	Canada Part No.

C. INSTALLATION INSTRUCTIONS and MANUALS

(Attach Service Bulletin Sticker on P. IA-1 in Your C-90-74041 Service Manual.)

Accessory and component installation instructions and manuals contain maintenance and lubrication instructions, where applicable. This information is added to the end of the installation instructions and has the header, "MAINTENANCE INSTRUCTIONS". Be sure that your service or installation personnel place installation instructions with the customer's "Operation and Maintenance Manual" or that they give the literature personally to the customer. By providing the customer with maintenance and lubrication instructions for the accessory or assembly, he/she will be able to properly maintain and service the unit.

D. GUIDE TUBE KITS - Mercury 40 and 50 HP with Tiller Handle

(Attach Service Bulletin Sticker on P. 8E-5 in Your C-90-74041 Service Manual.)

Replacement guide tube (Part No. A-48570) for Merc 40 and 50 HP tiller handles is NLA (No Longer Available). As a replacement, a separate Guide Tube Kit must be ordered as follows:

A-89578A1	Mercury 40 HP - Guide Tube Kit
A-89613A1	Mercury 50 HP - Guide Tube Kit

(OVER)

E. STEERING ATTACHMENT - All 1980 V-6 Models

(Attach Service Bulletin Sticker on P. 1-5 in Your V-6 C-90-86133 Service Manual.)

A "Caution" tag (Figure 1) has been attached to the outer hole of the steering arm on all 1980 V-6 models. The instructions on this tag **MUST BE** adhered to. The outer hole is **NOT TO BE USED** on single engine installations.

F. SWITCH BOX REWORK - 1979 Model 6-Cyl. In-Line Outboards

(Attach Service Bulletin Sticker on Sec. 3A Index Page in Your C-90-74041 Service Manual.)

All 1979 6-cylinder in-line outboards with Alternator Driven Ignition (ADI) above Serial No. 5299505 will require installation of Ground Strap Kit (Part No. A-90739A1). Before delivery, or when servicing a customer 6-cylinder in-line engine, install the Ground Strap Kit to prevent failure of the switch box., should the switch box come loose.

Order a quantity of Ground Strap Kits now and have them available for installation on customer outboards. One-half (1/2) hour labor will be allowed for installation. Installation Instructions will be furnished with the kits.

A-90739A1 Ground Strap Kit

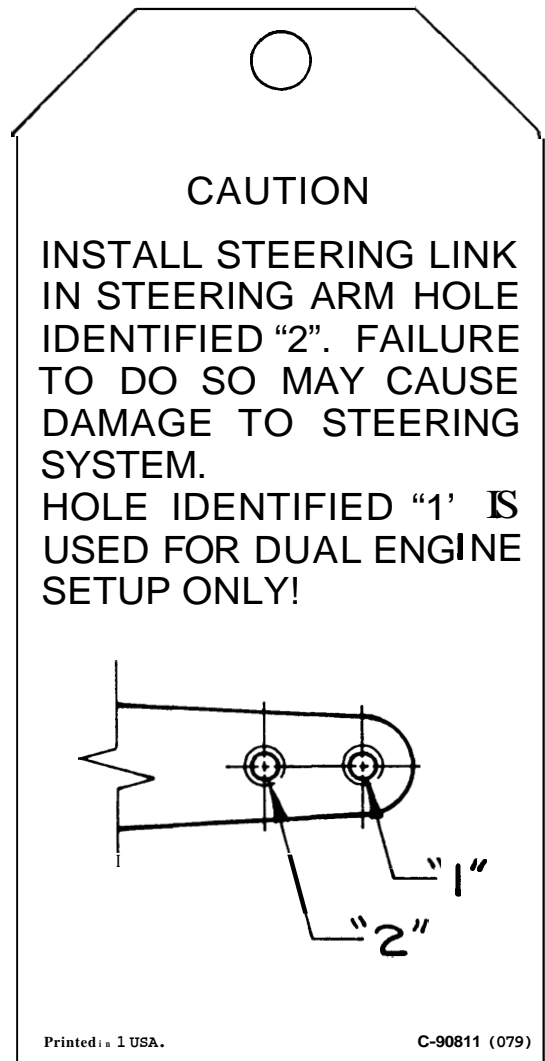


Figure 1. "Caution" Tag