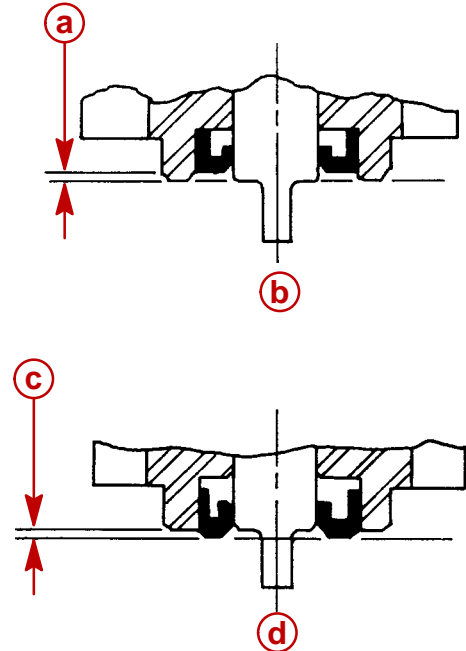


- A. V6 Oil Injection Pumps - P/N 41032 & 41033
- B. Throttle Lever and Linkage Wave Washer Removal Models 70-75-80-90-100
- C. Merc 4 & 5 & 102cc Sail Power Field Service Kit (Temperature Control) Part No. 813142A1

**A. V6 OIL INJECTION PUMPS -  
P/N 41032 & 41033**

It has been determined that failure of the crankshaft plastic drive gear can be caused by the seal in the oil injection pump backing out. Figure 1. When the pump seal backs out, it loads the driven gear and plastic drive gear causing excessive wear. Future injection pumps will have the seal staked in place.

Should a customer have the plastic oil injection drive gear damaged on their V6 outboard, it will be necessary to inspect the oil injection pump. If the seal is backed out, it will be necessary to replace the worm bushing - P/N 814103. Figure 1.



**Figure 1.**

- a** - Flush to Depressed
- b** - Reuse
- c** - Raised
- d** - Replace

## B. THROTTLE LEVER AND LINKAGE WAVE WASHER REMOVAL - MODELS 70-75-80-90-100

When servicing 3 cylinder model 70-75-80-30 and 4 cylinder 100 HP outboards for any reason, remove the wave washers from the swivel bushings. Figure 2. Removal of the wave washers will prevent the swivels from breaking during removal, installation. Future production outboards will have the wave washers removed.

## C. MERC 4 & 5 & 102CC SAIL POWER FIELD SERVICE KIT (TEMPERATURE CONTROL) PART NO. 813142A1

During prolonged low speed operation, such as trolling or idling, in cold water it's possible for condensation to build up in the cylinder. In extreme cases the condensation (water) may short the spark plug and stop the outboard.

This kit provides a higher temperature by rerouting the cooling water circuit. The kit includes instructions and all necessary parts and is easily installed.

FIELD SERVICE KIT P/N 813142A1

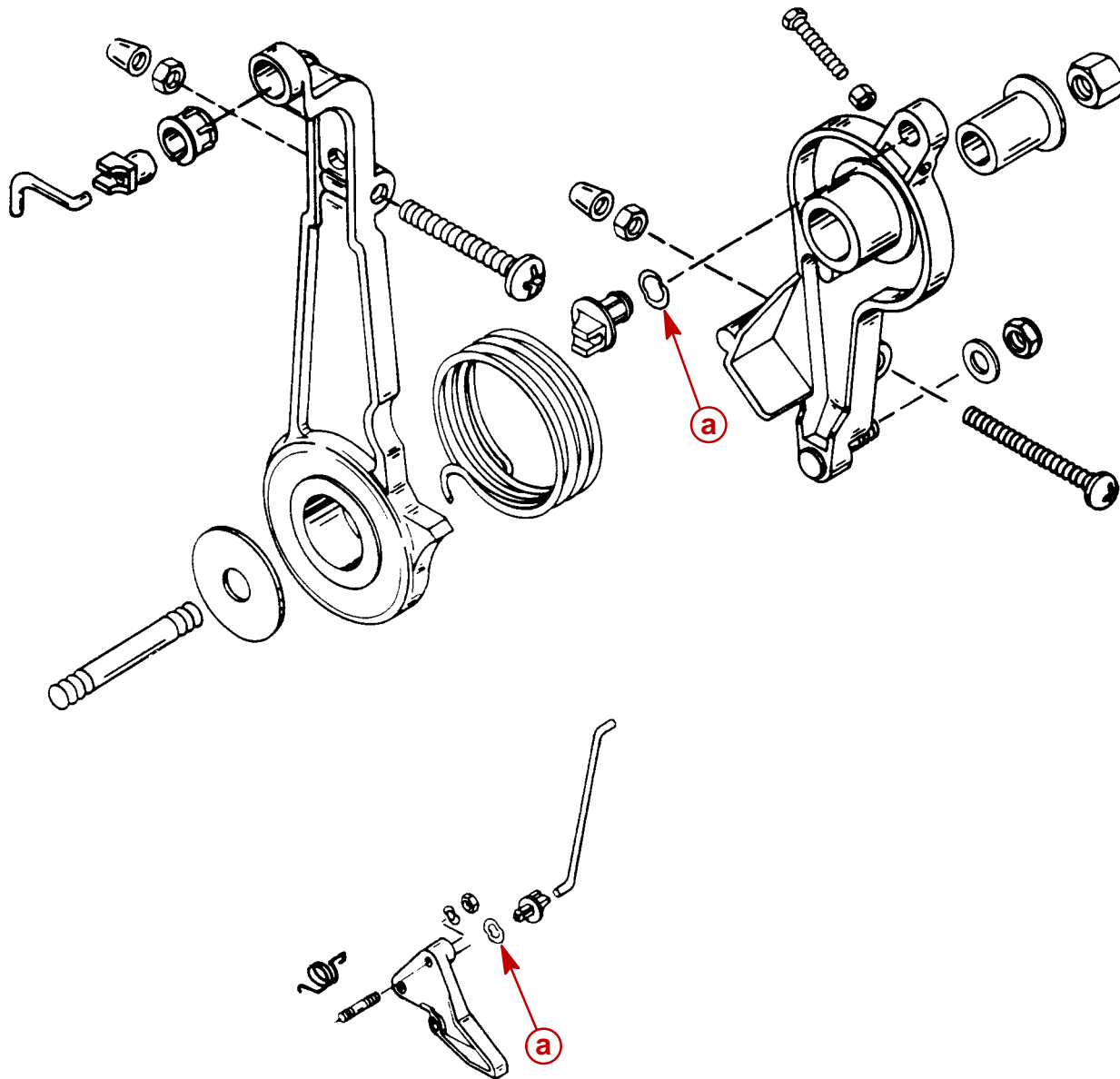


Figure 2.

**a** - Remove