

Revision 12-11-91

## Electrical Solenoid Change - P/N 89-96158

### NOTICE

This is a revision of Outboard Service Bulletin 91-34. Destroy Bulletin 91-34 and insert Bulletin 91-34A. Revision is due to a change in solenoid supersession.

The black electrical solenoid P/N 89-96158 is installed on a variety of models as a starter motor solenoid and as a power trim solenoid. Two changes have occurred:

1. A more durable solenoid for power trim application has been developed and is identified by a white housing.
2. Rubber mounts were added to both the black and the white solenoids.

Serial number start of the white power trim solenoid with the solid mount:

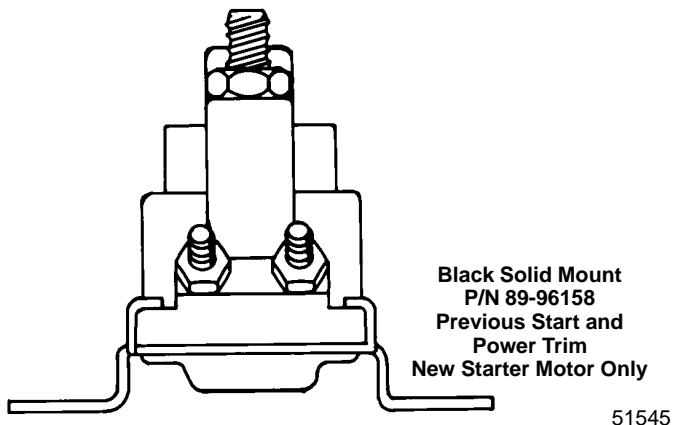
1991 Mariner and Mercury		
75/90	US	S/N 0D078604
100/115	US	S/N 0D078577
75-115	Belgium	S/N 09676468
135-200	US	S/N 0D077845

**IMPORTANT: For increased durability:**

**STARTER MOTOR - USE BLACK SOLENOID ONLY**  
P/N 89-96158 solid mount

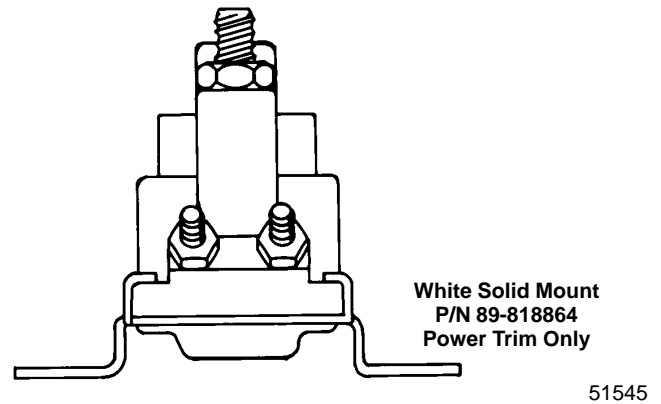
**POWER TRIM - USE WHITE SOLENOID ONLY**  
P/N 89-818864 solid mount

### STARTER MOTOR SOLENOID



### POWER TRIM SOLENOID

The new longer duty cycle power trim solenoid is more durable and colored white (natural) for easy identification.



### REPLACEMENT:

When replacing a failed black solenoid P/N 89-96158 that is used for:

- Power Trim - install the new white solenoid P/N 89-818864.
- Starter Motor - install the black solenoid P/N 89-96158.

### CURRENT PRODUCTION:

Outboards produced today have solenoids with rubber mounts. Rubber mounted solenoids require 1/2 inch (13 mm) longer bolts for mounting. For a short period of time the solid mount solenoids were superseded to the rubber mount versions. The supersession was removed to avoid confusion in mounting the rubber mount solenoid on older outboards.

