

Top Cowl Air Deflector Kit P/N 821429A-1 - 75 thru 115

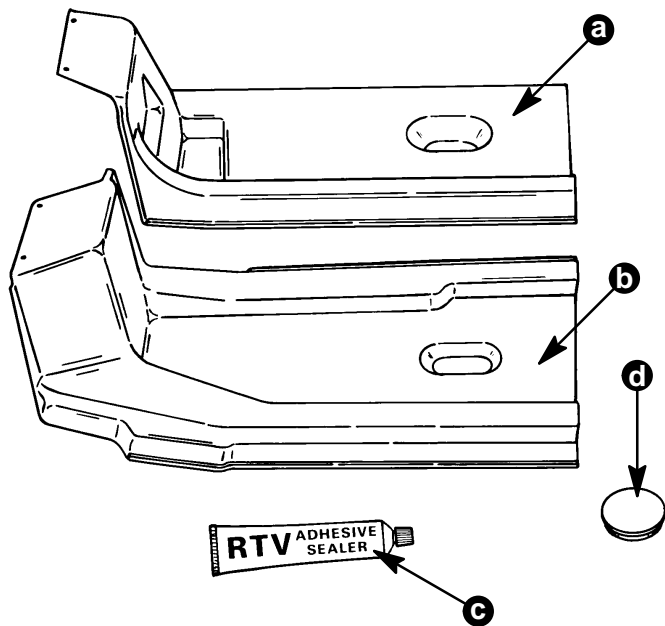
MARINER AND MERCURY

70/75/80/90 (3 cyl.)
100/115 (4 cyl.)

Installation of top cowl air deflector kit will help reduce under cowl corrosion, especially in salt water operation. The air deflector directs water that enters the top cowl via the normal air inlets away from the powerhead area. With the kit installed, the water is captured between the deflector and the top cowl, directed downward and exits the bottom of the cowl.

The air deflector is available in a kit only. It is not included with production or service replacement cowls.

Components of Air Deflector Kit P/N 821429A-1



51501

- a - Deflector - Port Cowl
- b - Deflector - Starboard Cowl
- c - Sealer - RTV
- d - Plug - Flywheel Cover

INSTALLATION:

It will be necessary to remove the foam sound blanket from the cowls to install the air deflector. The electrical box cover must be removed and discarded to provide clearance for the deflector. Installation instructions are included with the kit.

WARRANTY:

The Mariner/Mercury exclusive 3 year limited corrosion warranty will cover the deflector kit, installation and corrosion repairs on models listed for thirty six (36) months from the date of original sale when all three situations exist.

1. 1988 and newer product.
2. Salt water operation.
3. Corrosion exists or will occur due to salt water entering the powerhead area via the normal inlets at the top of the cowl.

Complete warranty claim listing:

Outboard serial number
Qty. 1 – P/N 821429A-1 Deflector Kit
One half (0.5) hour labor
Labor Rate Code - NJC
Failure Code 906 15