

Friction Nut Assembly-Co-Pilot P/N 11-52155A1 Increased Friction Holding Capacity

All Mercury and Mariner tiller handle models equipped with a Co-Pilot Kit.

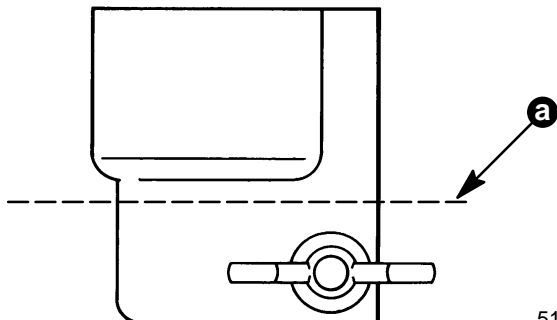
In some engine applications, more steering friction may be desirable to aid in engine control. Additional friction can be obtained by modifying the friction nut as follows:

QUICKSILVER:

Friction nut assembly P/N 11-52155A1
Accessories Kit P/N 52148A1
Future Quicksilver stock will be of a redesigned style.

REPAIR:

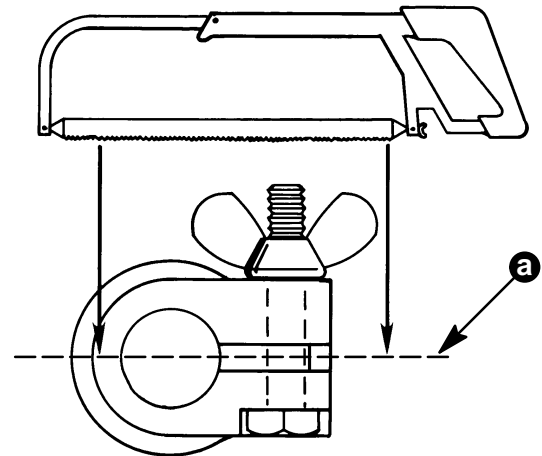
Remove the friction nut assembly P/N 11-52155A1 from the co-pilot assembly. Remove the bolt and wingnut from the friction nut housing. Using a hacksaw, line the hacksaw blade up on the friction nut housing as shown in Figure 1. Cut the friction nut housing no more than halfway through as shown in Figure 2. Reassemble co-pilot assembly.



51273

a - Cut-Stop Before Reaching Center

Figure 1.



51723

a - Do Not Cut More Than Halfway

Figure 2.

⚠ WARNING

If nut is inadvertently cut more than 1/2 way, the nut must be discarded and not used.

WARRANTY;

Complete a warranty claim listing:
Outboard Serial Number
FLAT RATE CODE: EXCP
One half (0.5) hour labor.