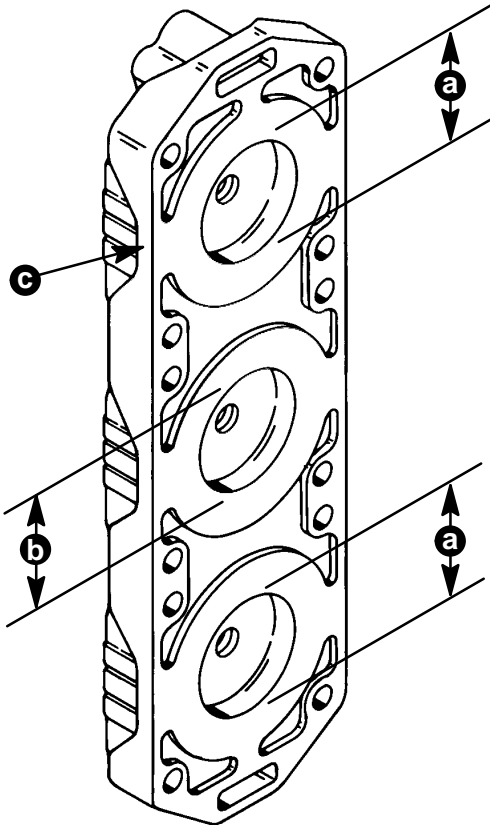


Cylinder Head Dome Size – 1991 200

Mariner and Mercury

1991 200 Models

A small quantity of cylinder heads p/n 18488--3 (18488C2 cast on the side) with an undersized dome on the center cylinder were installed on some early 1991 200 model outboards. The affected cylinder heads have a 2.150 inch (54.6mm) diameter dome on the center cylinder. The outside domes are the standard 2.380 inch (60.5mm) diameter.



50198

- a - 2.380 inch (60.5mm) Diameter
- b - 2.150 inch (54.6mm) Diameter
- c - 18488C2 Cast on Head

Figure 1. Cylinder Head with Small Center Dome

The undersize dome results in an increase of approximately 20 psi (14.6 Kg/cm) of compression in the center cylinder.

Extensive testing has shown that the undersize center dome does not adversely affect performance or durability. No action should be taken because of this information. This Service Bulletin is for information only.