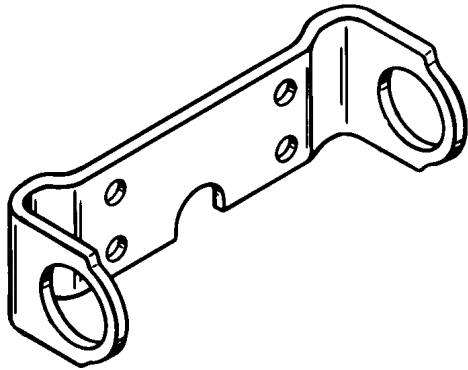


Two Cable Steering – Tube Alignment – 70 thru 275

Mariner and Mercury 70-275

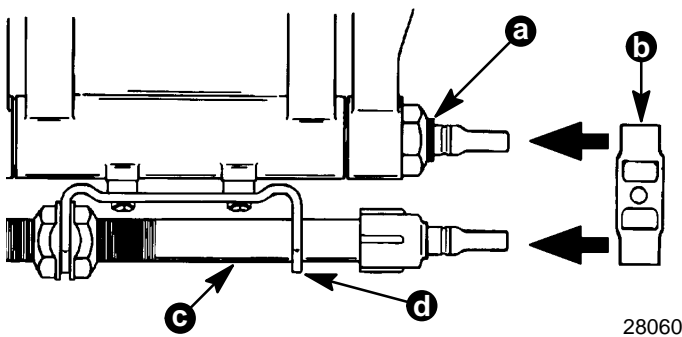
Ride Guide – Two Cable-Single Engine Attaching Kit P/N 92876A-3 with P/N 41055 Steering Tube Mounting Bracket



51034

Figure 1. Steering Tube Mounting Bracket P/N 41055

Hard steering may result if the steering cables do not remain parallel during their movement from a fully retracted to a fully extended position. It is necessary to remove all the attachments from the ends of the steering cables to check if the steering cables are parallel. Use the coupler P/N 88319 as a gauge to check that the cable steering tube and the outboard tilt tube are parallel. The coupler should slip easily over the cable ends, both in the fully retracted as well as the fully extended position (figure 2). If the cables do not remain parallel during their travel, replace the steering tube mounting bracket P/N 41055 with bracket P/N 41055--1 (figure 3).

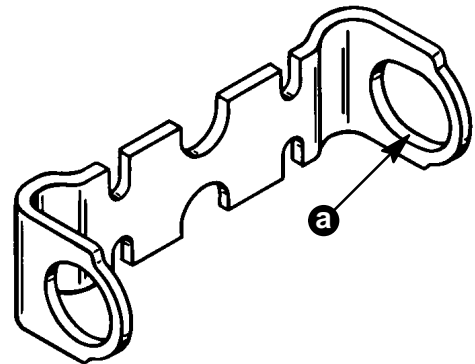


28060

- a - Outboard Tilt Tube
- b - Coupler P/N 88319
- c - Steering Cable Tube
- d - Steering Tube Mounting Bracket

Figure 2. Steering Cables Full Retracted

Steering tube mounting bracket P/N 41055--1 has a slotted hole at one end to support the steering cable tube and allow the tube to move sideways so it will be parallel with the outboard tilt tube.



51034

a - Slot on One End to Allow for Steering Cable Alignment

Figure 3. Steering Tube Mounting Bracket P/N 41055--1

QUICKSILVER:

Two Cable-Single Engine Attaching Kits P/N 92876A-3 with date code Nov. 21, 1990 (3250 - Julian date/1990) and later printed on the box have the latest steering tube mounting bracket P/N 41055--1.

WARRANTY:

If it is determined that the steering cable tube is not parallel with the outboard tilt tube, replace the steering tube mounting bracket with P/N 41055--1 and submit a warranty claim.

Complete a warranty claim listing:

- Outboard serial number
- Qty. 1 P/N 41055--1 Steering tube mounting bracket
- One half (0.5) hour labor
- Warranty labor rate code – NJC
- US & CANADA – Tag and hold parts for 60 days after credit is received.
- INTERNATIONAL – Hold for inspection/disposal by a Marine Power International technical representative.