

Hard Shifting - 20/25 Tiller Handle Shift Models

Models Affected

MARINER AND MERCURY

1994¹/₂ and 1995 20/25 Tiller Handle Shift Models.

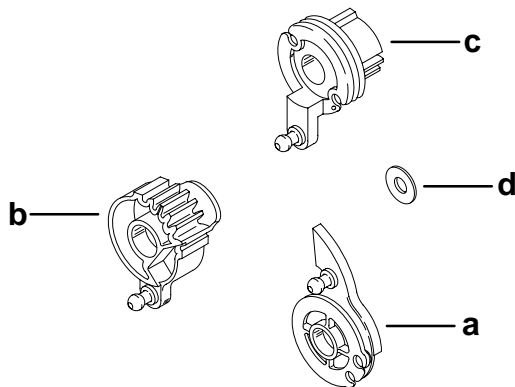
Serial Numbers:

United States	0G044027 thru 0G286099
Belgium	09807909 thru 09881099

The tiller handle shift models listed above may exhibit hard shifting.

Primary and secondary gears are now designed with a greater number of teeth. The extra teeth incorporated into the new design offers an easier transition between gears and reduced shift load.

Service kit (P/N 823757A1) is currently available with the improved gear design. Shift kit components are shown below in figure 1.



- a - Throttle Cam
- b - Secondary Gear
- c - Primary Gear
- d - Washer

Figure 1. Components in Shift Kit

Warranty

Complete a warranty claim listing:

Outboard serial number

Qty. 1 p/n 823757A1 Shift Kit

One (1) hour labor

Labor Rate Code: OD33

Failure Code: 754 40

Warranty coverage will apply to this particular problem for three years from the original date of sale.