



# service information

ADVISORY  
 BULLETIN

No. 2000-16

Circulate to:  Sales Manager  Accounting  Service Manager  Technician  Parts Manager

## Official Notification Federal Boat Safety Act Shift Link 3.0 Litre

### Models Affected

MERCURY/MARINER

1999/2000 Model Year

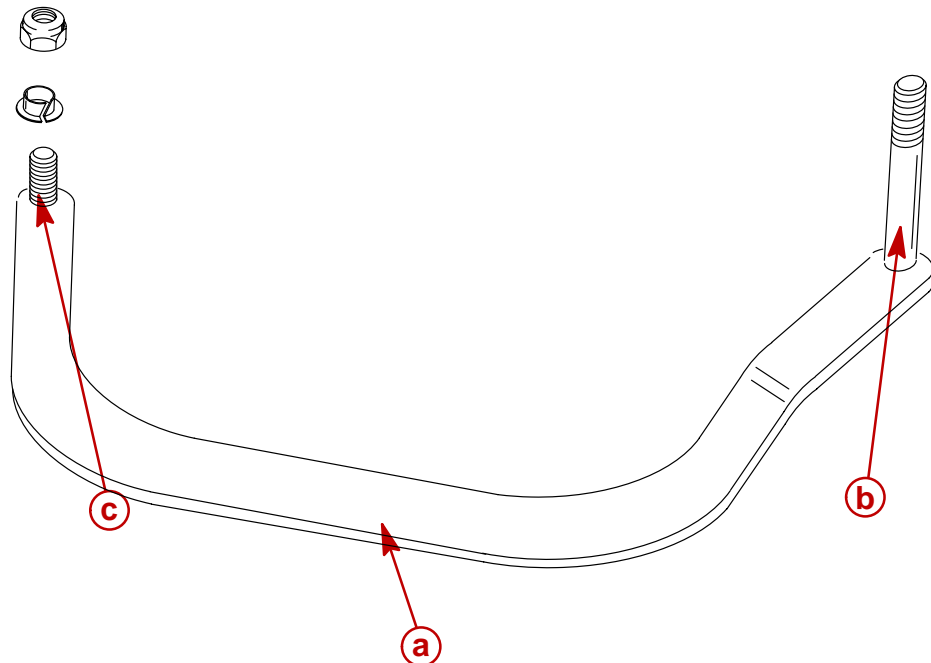
225/250 HP, EFI

200/225 HP, Optimax

3.0 Litre Carb/Work versions

S/N 0G927950 thru 0T264046

Some shift links may have insufficient weld penetration between the bracket and shift cable attaching stud. This could result in possible attaching stud breakage and loss of shift control.



- a** - Shift Link Bracket
- b** - Control Cable Attaching Stud
- c** - Shift Link to Upper Shift Shaft Attaching Stud

## Owner Notification

A letter will be sent to every registered owner of an affected outboard. The letter will advise the owner to return their outboard to their selling dealer or any Mercury/Mariner authorized dealer for the replacement of the shift link. A copy of the letter and warranty claim is included with this Service Information Bulletin.

## Dealer Outboard Inventory

Affected outboards in dealer inventory **MUST** have the shift link replaced when being installed/rigged on boats, (See parts required).

## Service Parts Stock

**USA customers:** Return any 814193 5 shift links in your inventory using the Mercury Precision Parts UNDER 30 DAYS RETURN PROGRAM. You may use the form on the back of any parts and accessories packing list. Please note on the form that the return is part of Service Information Bulletin 2000-16. All returns must be sent freight prepaid to:

Mercury Marine  
Attn: Return Goods – Service Information 2000-16  
W6250-22A Pioneer Road  
Fond du Lac, WI 54935

**Non-USA customers:** Return 814193 5 shift link to the appropriate distribution center for credit. Follow the normal return parts procedure. Please make reference to Service Information Bulletin 2000-16.

## Inspection

Before proceeding with the following correction confirm that the work has not been completed prior to receiving the engine. Refer to the Midas system under engine history.

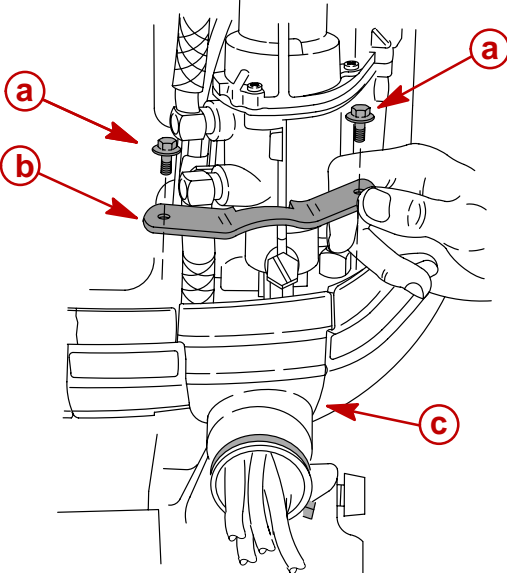
**ENGINE IN CARTON:** If engine is still in the carton, check for a GREEN dot near or on the serial number label. If GREEN dot is present, no further action is required, engine has been reworked at the factory.

**ENGINE OUT OF CARTON:** Check for WHITE paint dot on the top side of the shift link. The WHITE paint dot indicates that the shift link has been replaced and no further action is required.

# Correction

If engine is within the above serial number range and does NOT have the marks indicating that it has been reworked, replaced the shift link using the following steps.

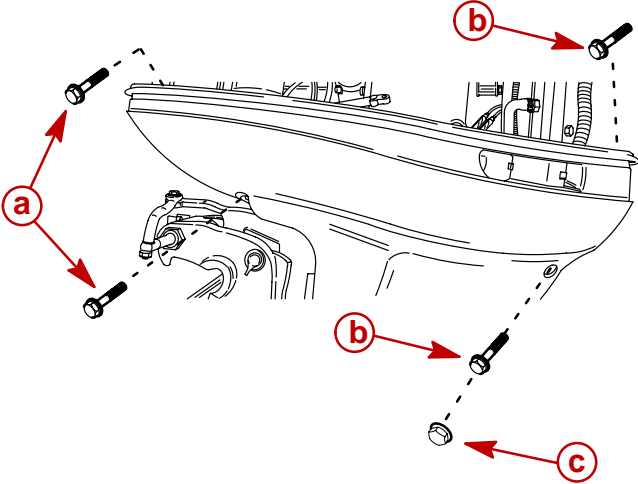
- Remove 2 screws securing remote control harness clamp retainer and remove retainer.



57803

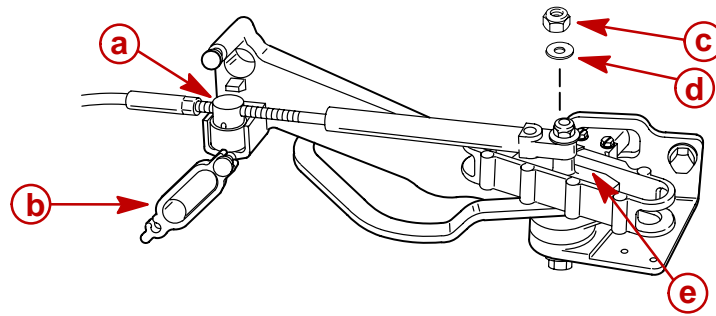
- a** - Screws (2)
- b** - Retainer
- c** - Clamp

- Remove the 4 screws securing bottom cowl halves and remove PORT side bottom cowl.



- a** - Front Retainer Screws (2)
- b** - Rear Retainer Screws (2)
- c** - Plug Lower Rear Retainer Screw

- Remove the nut, washer, shift cable, and shift slide from the rear shift link attaching stud.



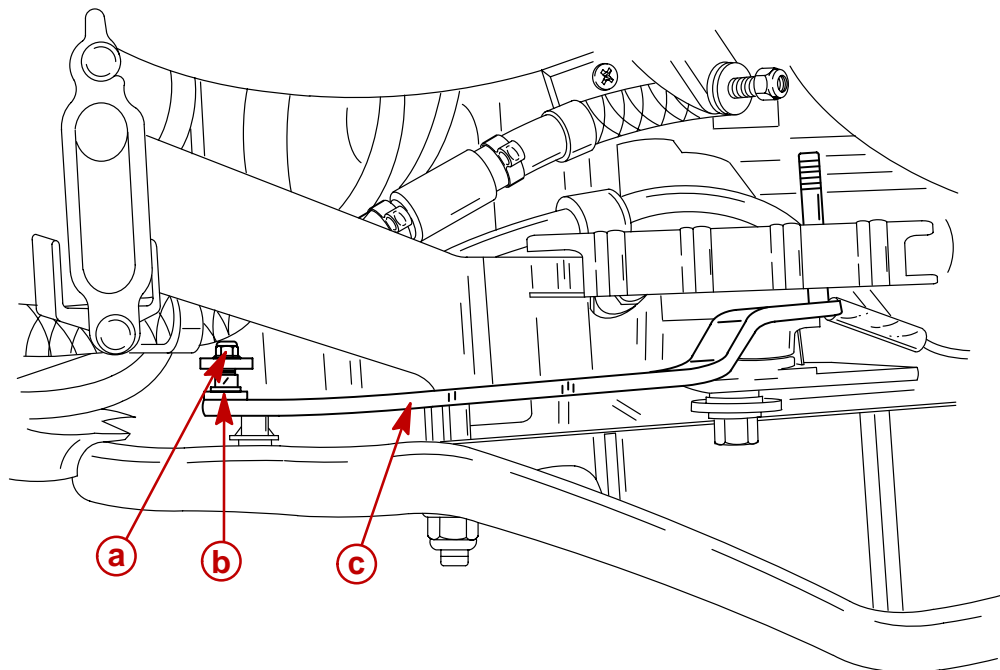
- a** - Cable Barrel
- b** - Shift Cable Retainer
- c** - Locknut
- d** - Washer
- e** - Shift Slide

- With engine not running, shift the engine into reverse by hand.

**NOTE:** When shifting into reverse, rotate propeller shaft.

- Remove the nut that attaches the shift link to the upper shift shaft, retain the nut and spacer to be reused on the replacement shift link.

**NOTE:** The view below is shown with the front retainer nut loose and spacer NOT engaged into the upper shift shaft.



- a** - Retainer Nut Shift Link To Upper Shift Shaft
- b** - Spacer
- c** - Shift Link Assemble

- Install shift link into upper shift shaft, taking care that plastic bushing enters the shift shaft correctly. Install the nylock nut and drive tight.
- Reinstall shift slide, shift cable, washer, and nylock nut.
- Reinstall the port side bottom cowl, and harness clamp retainer.

## Parts Required

Qty. 1	P/N 814193 6	Shift Link
--------	--------------	------------

## Repair Identification

After the shift link has been replaced, put a WHITE paint dot on top of the shift link bracket.

## Warranty

Replacement of the shift link for product within the serial number range and product range identified above will have the replacement shift link installed under the product warranty.

Complete warranty claim listing

- Outboard serial number
- One (1) shift link P/N 814193 6
- 0.6 hour labor
- Flat rate code NJC
- Failure code 223-40





**Mercury Marine**  
*Marine Products and Services*

W6250 Pioneer Road  
P.O. Box 1939  
Fond du Lac, WI 54936-1939 USA  
Phone: 920-929-5000  
[www.mercurymarine.com](http://www.mercurymarine.com)

Dear Mercury Marine Customer:

Our records indicate that you are the owner of a Mercury/Mariner outboard included in a recall being performed in compliance with the Federal Boat Safety Act. Due to a manufacturing error, some shift links may have insufficient weld penetration between the bracket and shift cable attaching stud. This could result in possible attaching stud breakage and loss of shift control. Mercury Marine has approved the replacement of the shift link.

### **WHAT YOU SHOULD DO**

Contact your authorized dealer, preferably the one who sold you the engine, and make arrangements to determine if your engine needs to be repaired. The dealer will refer to Mercury Outboard Service Information Bulletin 2000-16 for instructions. You must deliver your engine to the dealer and present this letter, the reverse side of which is a claim-form your dealer needs to send to us for reimbursement.

**NOTE:** *If your boat is in storage, you may want to wait until you remove it from storage to have this service performed.*

### **WHAT WE WILL DO**

We will reimburse the authorized dealer for the replacement of the shift link in line with the service bulletin.

We apologize for any inconvenience this recall may have caused you; however, we have taken this action to ensure that your boating experiences will be safe and enjoyable.

Sincerely,

Mercury Marine



# WARRANTY CLAIM

SHIFT LINK 3.0 LITRE

		DATE RECEIVED AM _____ PM _____		DATE PROMISED AM _____ PM _____		ENGINE SERIAL NUMBER		
CUSTOMER NAME			DEALER CODE			PRODUCT (CHECK ONE ONLY)		
ADDRESS			DEALER NAME			<input checked="checked" type="checkbox"/> OUTBOARD		
CITY, STATE, ZIP			DEALER ADDRESS			<input type="checkbox"/> STERNDRIVE		
MODEL / SERIAL NUMBER			CITY, STATE, ZIP			<input type="checkbox"/> INBOARD		
DATE OF SALE			ORDER NUMBER		LABOR RATE		<input type="checkbox"/> INFLATABLES	
DESCRIPTION OF FAILURE						<input type="checkbox"/> JET		
Shift Link 3.0 Litre - Service Bulletin 2000-16						<input type="checkbox"/> QUICKSILVER P&A (ATTACH RECEIPT)		
						<input type="checkbox"/> OTHER - SPECIFY _____		
						BOAT TYPE		
						H.I.N.		
FAILURE CODE		FAILURE CODE DESCRIPTION		NOTE: WARRANTY CLAIM MUST BE RECEIVED WITHIN 30 DAYS OF REPAIR DATE TO BE CONSIDERED FOR APPROVAL.		PRE-AUTHORIZATION NUMBER		
223-40		Shift Linkage - Fix Prog				ENTER DATE		

REPAIR PARTS IDENTIFICATION					LABOR PERFORMED PER FLAT RATE MANUAL																	
QTY	PART NUMBER	PART DESCRIPTION	LIST PRICE	TOTAL	CODE	DESCRIPTION	HOURS	DOLLARS														
1	814193 6	Shift Link			NJC		0.6															
I HEREBY AUTHORIZE THE ABOVE REPAIR WORK TO BE DONE AND GRANT YOU AND/OR YOUR EMPLOYEES PERMISSION TO OPERATE THE UNIT AS NECESSARY FOR TESTING AND/OR INSPECTION.					<table border="1"> <tr><td>TOTAL LABOR</td><td></td></tr> <tr><td>TOTAL PARTS</td><td></td></tr> <tr><td><b>SUB TOTAL</b></td><td></td></tr> <tr><td>TAX</td><td></td></tr> <tr><td>SUBLET LABOR (RECEIPT ATTACHED)</td><td></td></tr> <tr><td>FREIGHT (ATTACH RECEIPT IF OVER \$10.00)</td><td></td></tr> <tr><td><b>GRAND TOTAL</b></td><td></td></tr> </table> <p><b>ATTENTION</b></p>				TOTAL LABOR		TOTAL PARTS		<b>SUB TOTAL</b>		TAX		SUBLET LABOR (RECEIPT ATTACHED)		FREIGHT (ATTACH RECEIPT IF OVER \$10.00)		<b>GRAND TOTAL</b>	
TOTAL LABOR																						
TOTAL PARTS																						
<b>SUB TOTAL</b>																						
TAX																						
SUBLET LABOR (RECEIPT ATTACHED)																						
FREIGHT (ATTACH RECEIPT IF OVER \$10.00)																						
<b>GRAND TOTAL</b>																						
CUSTOMER AUTHORIZATION																						