



# service information

ADVISORY  
 BULLETIN

No. 2000-10  
(Mercury Jet Drives No. 2000-01)

Circulate to:  Sales Manager  Accounting  Service Manager  Technician  Parts Manager

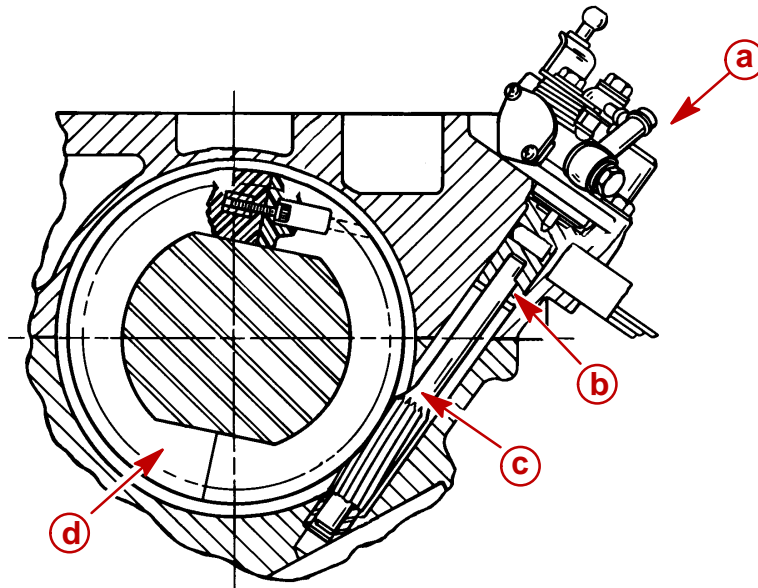
## Oil Pump Coupler/Bearing – Sport Jet 175

### Models Affected:

175HP Sport Jets: 1997, 1998, 1999 Model year product

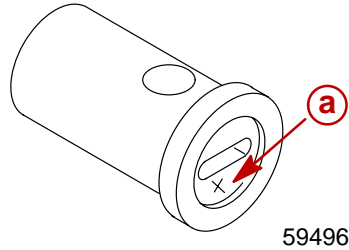
- Serial number range = 0E249035 through 0E369299

Mercury Marine will replace the coupler/bearing on affected Sport Jet 175 powerheads as listed above.



- a** - Oil Pump
- b** - Coupler/Bearing
- c** - Driven Gear
- d** - Oil Gear

The new coupler/bearing can be identified by a “X” scribed on the end or a “-3” molded at the same location. See figure below for location of the identification mark.



**a** - Identification Mark

## OWNER NOTIFICATION

A letter will be sent to every registered owner of the affected Sport Jet 175. The letter will advise the owner to return their jet boat to their Sport Jet servicing dealer or any authorized Mercury Marine outboard servicing dealer for the inspection/replacement.

## DEALER INVENTORY

### Service Parts

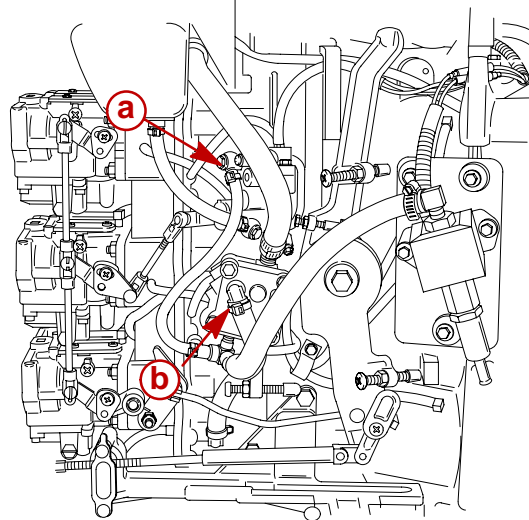
Visually inspect the coupler/bearings in **your** parts inventory. If they do not have the identification (“X” or “-3”) marked on the end, return them with a warranty claim referencing the service bulletin (2000-10). **DO NOT USE THEM FOR REPAIRS. REMOVE THEM FROM YOUR INVENTORY AND USE ONLY THOSE COUPLER/BEARINGS SPECIFIED IN THIS BULLETIN.**

### Boats

All boats in inventory (new or used) with Sport Jet 175’s that fall in the affected serial number range must be inspected. Remove the oil pump and inspect the end of the coupler/bearing for identification marks as described previously. If there are no marks on the coupler/bearing indicating the change, replace the coupler/bearing.

## CORRECTION

Remove two screws securing the oil injection pump to the powerhead. Pull pump away from the powerhead exposing the coupler/bearing. Pull coupler out of bore. Install new coupler/bearing in the bore and connect to the driven gear. Apply Loctite 271 to threads of attaching screws and secure oil pump to powerhead. Torque screws to 25 lb. in. (2.8 N•m). Refer to the service manual (90-852396R1) for more detailed procedures.



55087

- a - Pump
- b - Fuel Pump

## PARTS REQUIRED

Qty. one (1) of coupler/bearing – part # 41429A 2

## WARRANTY

**Mercury Marine will credit the dealer for the cost of part(s) and labor for one year from the issuance of this bulletin. Please note the month and year located at the lower corner of each page.**

Complete warranty claim listing:

- Only the Outboard Service Bulletin: 2000-10
- Powerhead serial number(s)
- Qty. 1 coupler/bearing P/N 41429A 2
- Five tenth (0.5) hour labor
- Warranty Flat Rate Code: JO17
- Part Code: 752
- Failure Code: 00

US and Canada: Complete/process claim via Midas or return warranty claim form. All replaced coupler/bearings must be returned to Mercury.

INTERNATIONAL: Follow instructions issued by Marine Power International office or by your distributor.





**Mercury Marine**  
*Marine Products and Services*

W6250 Pioneer Road  
P.O. Box 1939  
Fond du Lac, WI 54936-1939 USA  
Phone: 920-929-5000  
[www.mercurymarine.com](http://www.mercurymarine.com)

Dear Mercury Marine Customer:

Our records indicate that you are the owner of a Sport Jet 175 included in a recall. Mercury Marine has authorized the inspection/replacement of the coupler/bearing.

**WHAT YOU SHOULD DO**

Contact your authorized dealer, preferably the one who sold you the engine, and make arrangements to determine if your engine needs to be repaired. The dealer will refer to Mercury Marine Service Information Bulletin 2000-10 for instructions. Coverage of this Service Bulletin is valid until May of 2001. You must deliver your engine to the dealer and present this letter, the reverse side of which is a claim-form your dealer needs to send to us for reimbursement.

**NOTE:** *If your boat is in storage, you may want to wait until you remove it from storage to have this service performed.*

**WHAT WE WILL DO**

We will reimburse the authorized dealer for the replacement of the coupler/bearing in line with the service bulletin.

We apologize for any inconvenience this recall may have caused you. However, we have taken this action to assure your boating enjoyment and continued satisfaction with our product.

Sincerely,

Mercury Marine

