

Circulate to:     Sales Manager     Accounting     Service Manager     Technician     Parts Manager

## Electric Fuel Pump Harness Connection

### Models Affected

Mercury/Mariner Models	Serial Number or Year
135/150/175 HP OptiMax	S/N 0T776014 thru 0T790902 Model Year 2003

### Situation

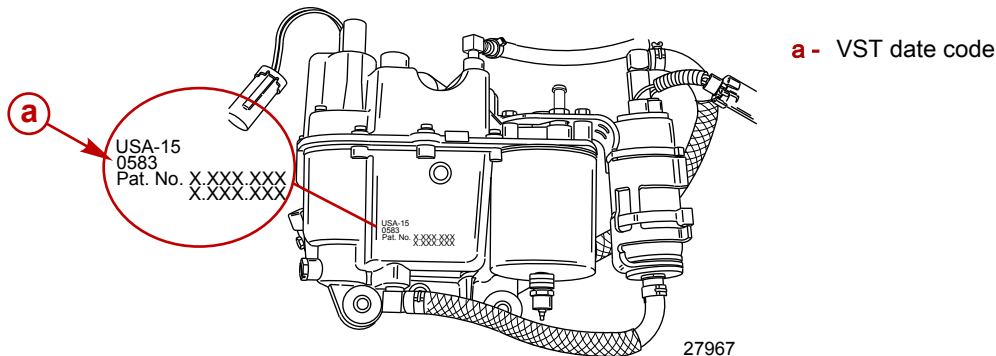
Some low pressure electric fuel pumps may have incorrect crimping of the wire terminal connections. Some of the wire strands may not have been captured within the terminal crimp.

### Correction

Not all pumps on the above listed models will be affected. The low pressure electric fuel pump is part of the Vapor Separator Tank (VST) assembly when installed at the factory. First inspect the VST for affected date codes (listed below). If the date code on the VST is NOT listed below, no further action is required. If the VST does have one of the affected date codes, perform the following electric fuel pump terminal inspection.

### Affected VST Date Codes

0563, 0573, 0583, 0593, 0623, 0633, 0643, 0763, 0773, and 0783



### Connector Housing Removal

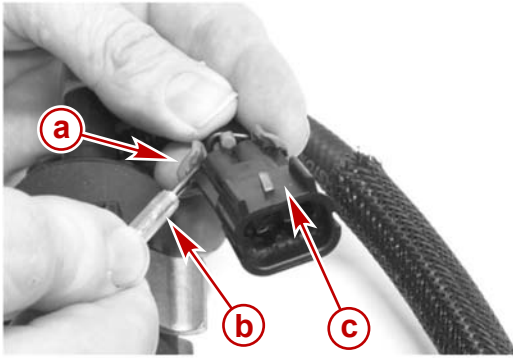
- Disconnect engine battery cables.
- Disconnect the pump electrical connector from the main engine harness.

THE INFORMATION IN THIS DOCUMENT IS CONFIDENTIAL AND PROTECTED BY COPYRIGHT AND IS THE PROPERTY OF MERCURY MARINE.

This document is provided for the sole and exclusive use of the original recipient as prescribed by Mercury Marine and may not be distributed or copied, digitally or otherwise, without the prior written consent of Mercury Marine.

## Electric Fuel Pump Harness Connection

- Using a small flat bladed screw driver, pry off and remove the BLUE terminal retainer at the rear of the electrical connector.

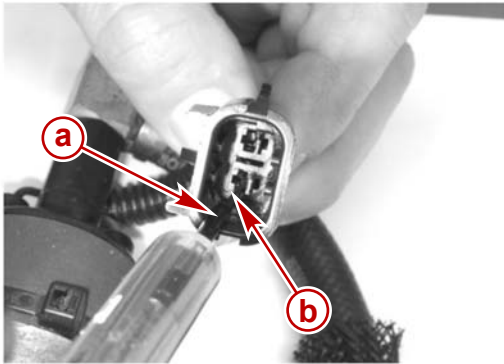


- a** - Terminal retainer
- b** - Small screw driver
- c** - Connector housing

28019

- Using terminal removal tool, depress the locking tab on the wire terminal while applying light pressure on the terminal to push it out of the electrical connector housing or lightly pull on the wire while depressing the locking tab to remove from the connector housing.

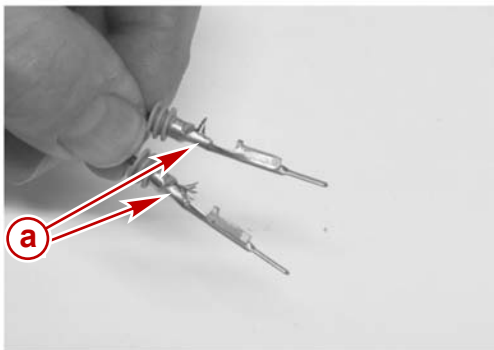
**NOTE:** We recommend terminal removal tool included in Snap-On terminal tool kit #TT600 or a similar type tool.



- a** - Terminal removal tool
- b** - Insert removal tool in opening just above terminal to depress locking tab

28020

## Terminal Inspection

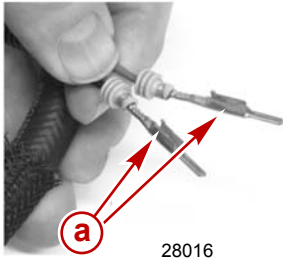


- a** - Incorrectly crimped terminal, wires outside crimp

28012

THE INFORMATION IN THIS DOCUMENT IS CONFIDENTIAL AND PROTECTED BY COPYRIGHT AND IS THE PROPERTY OF MERCURY MARINE.

This document is provided for the sole and exclusive use of the original recipient as prescribed by Mercury Marine and may not be distributed or copied, digitally or otherwise, without the prior written consent of Mercury Marine.

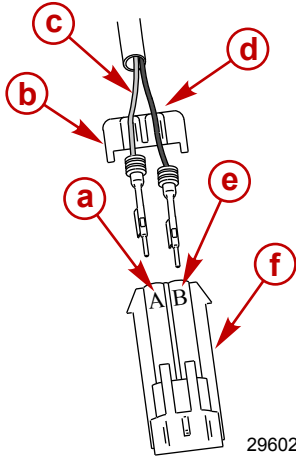


**a** - Good wire crimp, all wires captured inside crimp

28016

If incorrect wire crimp is found on either wire terminal, replace the low pressure electric fuel pump following instructions in the 115 thru 175 HP OptiMax service manual 90-859494R1. If good terminal crimps are found on both terminals, reinstall the plastic connector housing using the following instruction.

## Terminal Installation into Connector Housing



- a** - (A) terminal receptacle
- b** - Terminal retainer
- c** - Red wire
- d** - Black wire
- e** - (B) terminal receptacle
- f** - Connector housing

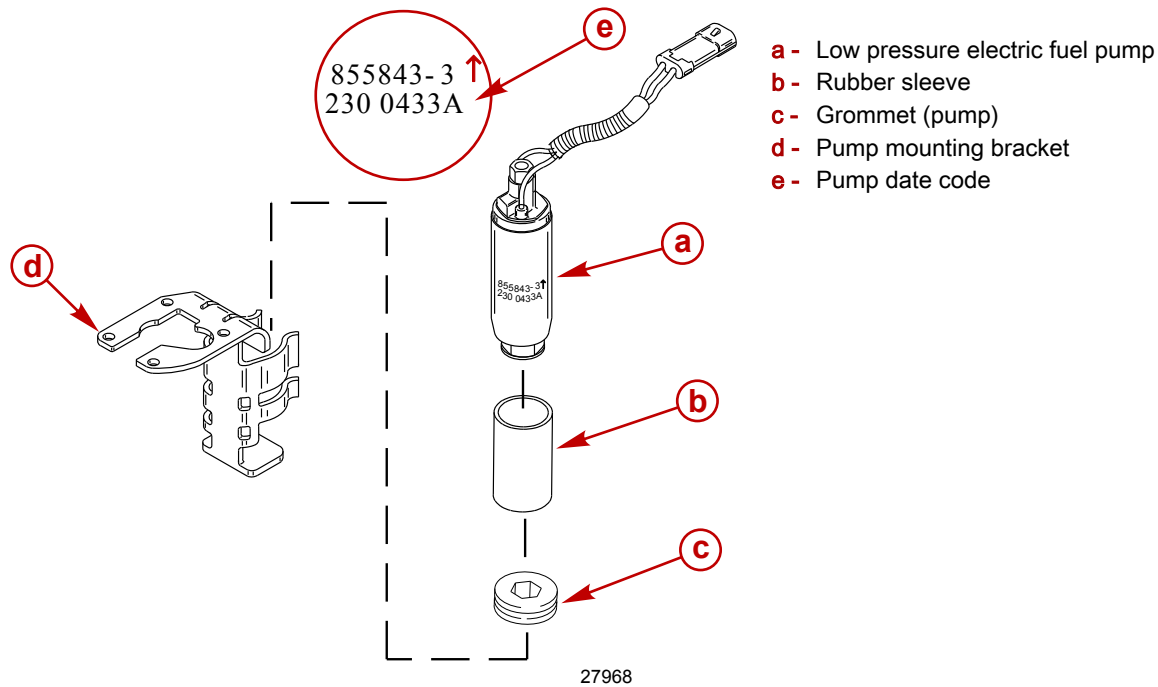
29602

THE INFORMATION IN THIS DOCUMENT IS CONFIDENTIAL AND PROTECTED BY COPYRIGHT AND IS THE PROPERTY OF MERCURY MARINE.

This document is provided for the sole and exclusive use of the original recipient as prescribed by Mercury Marine and may not be distributed or copied, digitally or otherwise, without the prior written consent of Mercury Marine.

## Dealer Service Inventory

Any low pressure electric fuel pumps (P/N 855843 2) in dealer service inventory that has a packaging date between March 1, 2003 and April 28, 2003 should be inspected for affected pump date code and/or terminal crimp condition. Only pumps with date code 0433A are affected. NO other date codes are affected. Remove rubber sleeve from the pump to view date code. If the date code is NOT 0433A, no further action is required. If the pump date code is 0433A, perform the wire terminal inspection as outlined in this service bulletin.



## Parts Required

Qty.	Description	Part Number
1	Low pressure electric fuel pump (if required)	855843 2
2	Cable tie 14 inch. (if required)	61990
2	Steel hose clamp (if required)	54-13791

## Warranty

Mercury Marine will credit the dealer for the cost of labor and/or parts if required until May 31, 2006.

If inspection of the VST and/or pump terminals only was required, complete warranty claim listing:

- Outboard serial number
- 0.5 hour labor
- Warranty Flat Rate Code SB05
- Part code 732
- Failure Code 00

If inspection and replacement of pump is required, complete warranty claim listing:

- Outboard serial number
- 1.0 hour labor
- Parts as listed in this bulletin
- Warranty Flat Rate Code SB10
- Part Code 732
- Failure Code 00

THE INFORMATION IN THIS DOCUMENT IS CONFIDENTIAL AND PROTECTED BY COPYRIGHT AND IS THE PROPERTY OF MERCURY MARINE.

This document is provided for the sole and exclusive use of the original recipient as prescribed by Mercury Marine and may not be distributed or copied, digitally or otherwise, without the prior written consent of Mercury Marine.

## International

Follow instructions issued by Marine Power International office or by an authorized Marine power Distributor.

THE INFORMATION IN THIS DOCUMENT IS CONFIDENTIAL AND PROTECTED BY COPYRIGHT AND IS THE PROPERTY OF MERCURY MARINE.

This document is provided for the sole and exclusive use of the original recipient as prescribed by Mercury Marine and may not be distributed or copied, digitally or otherwise, without the prior written consent of Mercury Marine.