

Circulate to: Sales Manager Accounting Service Manager Technician Parts Manager

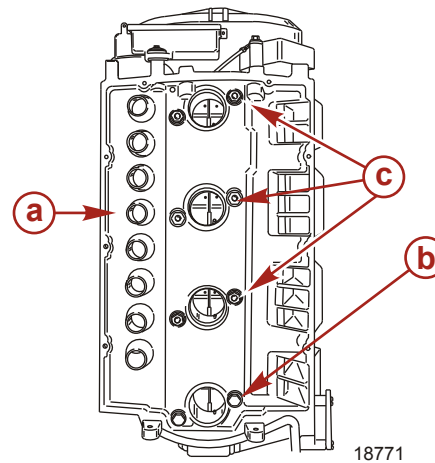
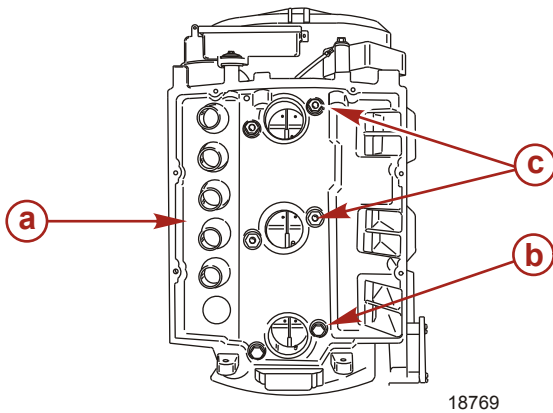
75-125 HP (2-Stroke) Service Manual Correction

Models Affected

Description	Version	Part Number
75-125 HP (2-Stroke) Service Manual	English	90-830234R04
	International	90-892568R04

Situation

In **Section 4 - Air Box Installation**, the torques listed for the air box attaching screws and air box attaching nuts are incorrect. The incorrect torques are well above the proper torque specification. They are shown as 61 Nm (45 lb. ft.). The correct torque is: **11.3 Nm (100 lb. in.)**.



3 cylinder models

- a - Air box plate
- b - Air box attaching screw and washer
- c - Air box attaching nut and washer

4 cylinder models

Description	Nm	lb. in.	lb. ft.
Air box attaching screw "b"	11.3	100	
Air box attaching nut "c"	11.3	100	

Correction

There is a sheet containing correction tables that can be cut out and applied to **Section 4 - Air Box Installation**. There are duplicates in case your dealership has more than one copy of the affected manual. Please use the correction stickers to update the manuals until the next service manual revision occurs.

THE INFORMATION IN THIS DOCUMENT IS CONFIDENTIAL AND PROTECTED BY COPYRIGHT AND IS THE PROPERTY OF MERCURY MARINE.

This document is provided for the sole and exclusive use of the original recipient as prescribed by Mercury Marine and may not be distributed or copied, digitally or otherwise, without the prior written consent of Mercury Marine.