

Circulate to: Sales Manager Accounting Service Manager Technician Parts Manager

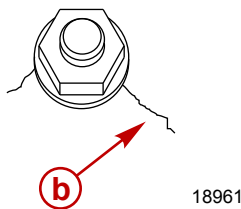
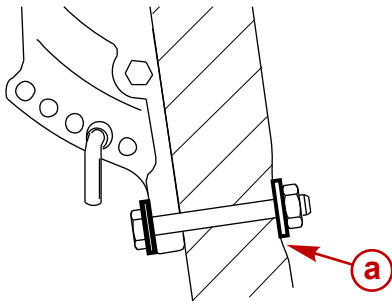
Transom Bolt Torque/Engine Mounting

Models Affected

All outboards 30 HP and above with 1/2 inch diameter transom/engine mounting bolts

Situation

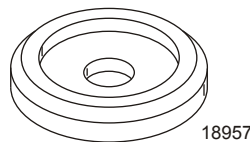
An engine mounting bolt/nut torque is recommended to ensure that engines remain secure on the transom. The transom mounting bolts/nuts should be able to hold 74.5 Nm (55 lb. ft.) of torque without the transom yielding or cracking. If the transom yields or cracks under the torque of the transom mounting bolts/nuts, the transom must be strengthened or the load carrying area increased. Always use manufacturer supplied fasteners.



- a** - Transom yielding under bolt torque
- b** - Transom cracking under bolt torque

Description	Nm	lb. in.	lb. ft.
Transom mounting bolts/nuts	74.5		55

NOTE: When first determining transom strength, use a dial type torque wrench. If the bolt or nut continues to turn without the torque reading on the dial increasing, it is an indication that the transom is yielding. The load carrying area can be increased by using a larger washer or a transom reinforcement plate.



Large transom washer

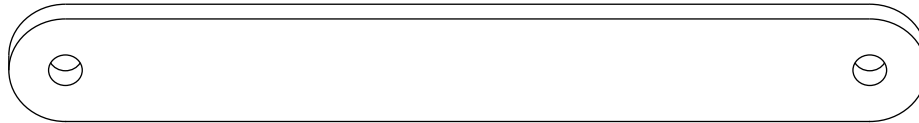
Description	Part Number
Large transom washer	67-896392

THE INFORMATION IN THIS DOCUMENT IS CONFIDENTIAL AND PROTECTED BY COPYRIGHT AND IS THE PROPERTY OF MERCURY MARINE.

This document is provided for the sole and exclusive use of the original recipient as prescribed by Mercury Marine and may not be distributed or copied, digitally or otherwise, without the prior written consent of Mercury Marine.

Transom Bolt Torque/Engine Mounting

On the transom reinforcement plate, the inside holes are for the lower transom bolts and the outside holes are for the upper transom bolts.



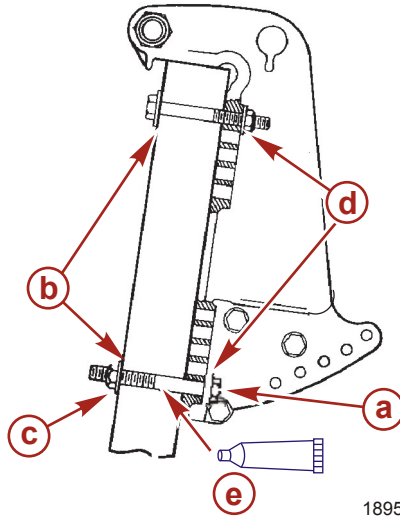
18959

Transom reinforcement plate

Description	Part Number
Transom reinforcement plate	67-896305

Securing Outboard to Boat Transom

NOTE: Final bolt/nut torque should be 74.5 Nm (55 lb. ft.). For a more accurate torque, whenever possible turn/tighten the transom bolt NUT rather than turning the bolt.



18953

- a - 1/2 in. diameter bolts (4)
- b - Flat washer (4)
- c - Locknuts (4)
- d - Flat washer (4)
- e - Marine Sealer (obtain locally) - apply to shanks of bolts, not threads

Description	Nm	lb. in.	lb. ft.
Transom bolt/nut	74.5		55

THE INFORMATION IN THIS DOCUMENT IS CONFIDENTIAL AND PROTECTED BY COPYRIGHT AND IS THE PROPERTY OF MERCURY MARINE.

This document is provided for the sole and exclusive use of the original recipient as prescribed by Mercury Marine and may not be distributed or copied, digitally or otherwise, without the prior written consent of Mercury Marine.