

Circulate to:     Sales Manager     Accounting     Service Manager     Technician     Parts Manager

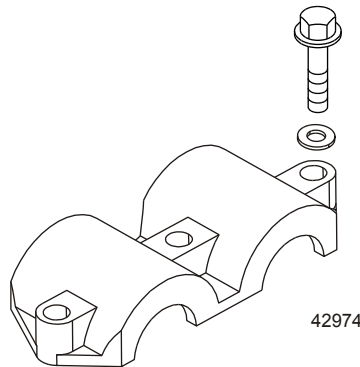
## New Upper Mount Clamp Bolt for 3.0L Pro XS and XS models

### Models Affected

Models Covered	Serial Number Or Year
Mercury/Mariner 3.0L Pro XS and 225/250 XS Long	1B765129 and above

### Situation

The upper mount clamp bolts for the models listed above have been changed to P/N 8M0033179. Due to a stronger material, the torque on these fasteners have also changed.



Description	Nm	lb-in.	lb-ft
Old torque	27		20
New torque	40.6		30

This information will be reflected in the next version of the service manual.

THE INFORMATION IN THIS DOCUMENT IS CONFIDENTIAL AND PROTECTED BY COPYRIGHT AND IS THE PROPERTY OF MERCURY MARINE.

This document is provided for the sole and exclusive use of the original recipient as prescribed by Mercury Marine and may not be distributed or copied, digitally or otherwise, without the prior written consent of Mercury Marine.