

Circulate to:     Sales Manager     Accounting     Service Manager     Technician     Parts Manager

## Steering Link Rod - Elimination from Engine Carton

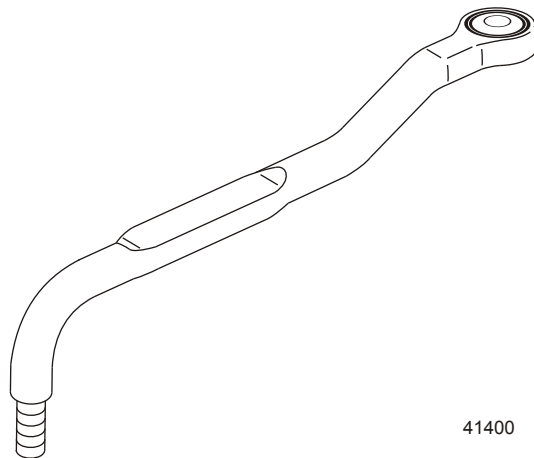
### Models Affected

Models Covered	Serial Number
175 Pro XS OptiMax	1B756081 and above
135-200 L4 Verado	USA-1B757282 and above Belgium-0Y129163 and above
150/200 V6 EFI 2.5L Two-Stroke	1B756081 and above
200/225/250 V6 EFI 3.0L Two-Stroke	1B756081 and above
200/225/250 OptiMax	1B756081 and above
225/250 Pro XS OptiMax	1B756081 and above

### Situation

For many years Mercury Marine included a steering link rod (see below) with most of the larger outboard engines sold. However, the use of the link rod has decreased as the use of hydraulic and power steering systems has increased. As a result, in most cases, the link rod is an unnecessary steering system component, and is discarded at the time of engine installation. Because of the industry change in usage patterns, Mercury will no longer supply the steering link rod (part number 92876A12) with the above listed engines.

However, if your application requires a link rod, Mercury Marine recommends that you purchase and use the Mercury link rod, which was specifically designed to work with Mercury engines to ensure high quality original equipment performance.



41400

THE INFORMATION IN THIS DOCUMENT IS CONFIDENTIAL AND PROTECTED BY COPYRIGHT AND IS THE PROPERTY OF MERCURY MARINE.

This document is provided for the sole and exclusive use of the original recipient as prescribed by Mercury Marine and may not be distributed or copied, digitally or otherwise, without the prior written consent of Mercury Marine.

## Steering Link Rod Kit

If the steering link rod is required for your steering system, the following kit includes the steering link rod and necessary attaching hardware.

Qty.	Description	Part Number
1 per engine	Steering link rod kit	92876A12

THE INFORMATION IN THIS DOCUMENT IS CONFIDENTIAL AND PROTECTED BY COPYRIGHT AND IS THE PROPERTY OF MERCURY MARINE.

This document is provided for the sole and exclusive use of the original recipient as prescribed by Mercury Marine and may not be distributed or copied, digitally or otherwise, without the prior written consent of Mercury Marine.