

Circulate to: Sales Manager Accounting Service Manager Technician Parts Manager

2.0L/2.4L/2.5L Exhaust Diffuser Mounting Bolt and Torque Change

NOTICE

Revised July 2010. This bulletin supersedes the previous bulletin number 2009-22 December 2009.

Models Affected

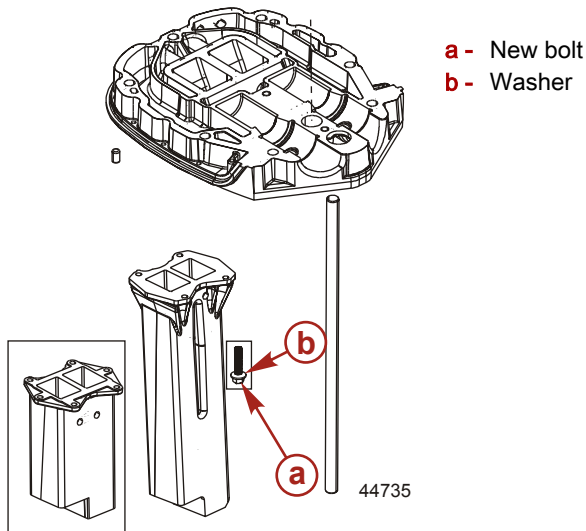
NOTE: This service bulletin covers two serial number groups. It identifies changes to the exhaust diffuser mounting bolts and their increased torque value.

| Mercury/Mariner Models Covered | Serial Number Or Year |
|---|-----------------------|
| All 115–200 HP V6 Engines 2.0L, 2.4L, 2.5L | 1B803374 and Below |
| All 135–200 HP V6 Engines 2.5L | 1B803380 and Above |

Situation

A stronger bolt has been implemented with a revised torque value to prevent failures of the diffuser mounting to the driveshaft housing plate. Use this new bolt and torque value when servicing the 2.0L/2.4L/2.5L V6 engines.

Serial Number 1B803374 and Below



| Qty. | Description | Part Number |
|------|--------------------------------|--------------|
| 4 | New bolt (0.250-20 x 1.0 inch) | 10-8M0030694 |
| 4 | Washer | 12-35044 |

THE INFORMATION IN THIS DOCUMENT IS CONFIDENTIAL AND PROTECTED BY COPYRIGHT AND IS THE PROPERTY OF MERCURY MARINE.

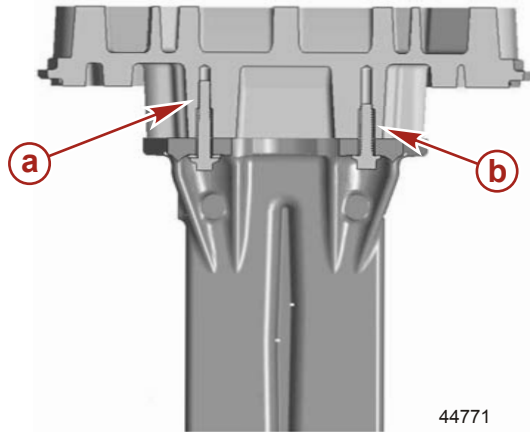
This document is provided for the sole and exclusive use of the original recipient as prescribed by Mercury Marine and may not be distributed or copied, digitally or otherwise, without the prior written consent of Mercury Marine.

2.0L/2.4L/2.5L Exhaust Diffuser Mounting Bolt and Torque Change

| Description | Nm | lb-in. | lb-ft |
|---|----|--------|-------|
| New bolt torque value (0.250-20 x 1.0 inch) | 30 | 265 | 22 |

Serial Number 1B803380 and Above

Starting with S/N 1B803380, all 2.5L V6 engines have a new driveshaft housing plate and exhaust diffuser mounting bolts. The longer bolt design increases the clamp load retention.



- a** - Longer bolt design (0.250-20 x 1.5 inch)
- b** - Short bolt (do not use)

| Qty. | Description | Part Number |
|------|--|-------------|
| 1 | Driveshaft housing plate | 8M0047679 |
| 4 | Exhaust diffuser mounting bolt (0.250-20 x 1.5 inch) | 8M0047146 |

| Description | Nm | lb-in. | lb-ft |
|---|----|--------|-------|
| New bolt torque value (0.250-20 x 1.5 inch) | 30 | 265 | 22 |

THE INFORMATION IN THIS DOCUMENT IS CONFIDENTIAL AND PROTECTED BY COPYRIGHT AND IS THE PROPERTY OF MERCURY MARINE.

This document is provided for the sole and exclusive use of the original recipient as prescribed by Mercury Marine and may not be distributed or copied, digitally or otherwise, without the prior written consent of Mercury Marine.