



MERCRUISER SERVICE BULLETIN

Section: XI (Tools)

Number: X 64-04

Date : 3/12/64

New MerCruiser Service Tools

Beaver Dam, Wis.
U.S.A.

A. SHIMMING TOOL, UPPER PINION - MERCUISER IA-IB-IC

(For Page 5 of Tool Section XI)

Required for determining correct shim thickness between drive shaft housing and roller bearing cup so that pinion gear will mesh correctly with drive gear. (Figure 1)

91-36384

Shimming Tool, Upper Pinion (MerCruiser IA-IB-IC)

\$10.25 Net

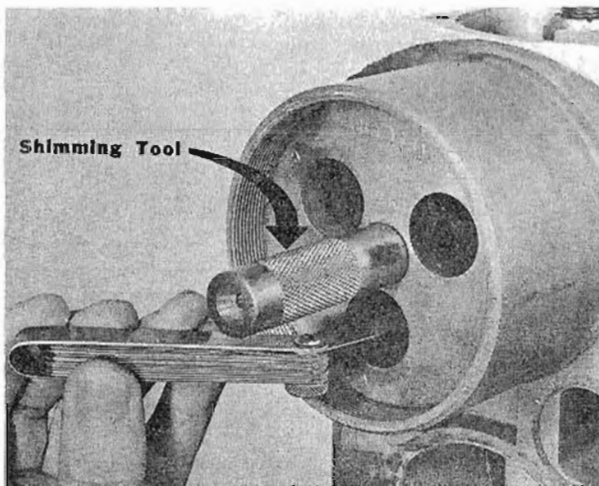


Figure 1. 91-36384 Shimming Tool

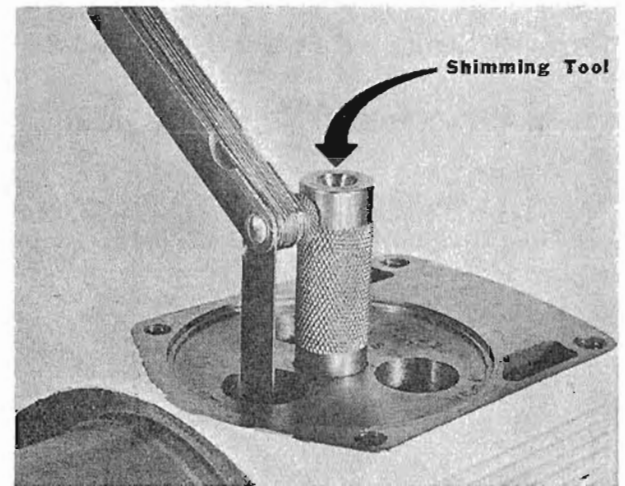


Figure 2. 91-36385 Shimming Tool

B. SHIMMING TOOL, UPPER DRIVE GEAR - MERCUISER I & IA-IB-IC

(For Page 5 of Tool Section XI)

Required for determining correct shim thickness between drive shaft housing and universal joint roller bearing so that drive gear will mesh correctly with pinion gear. (Figure 2)

91-36385

Shimming Tool, Upper Drive Gear (MerCruiser I & IA-IB-IC)

\$10.00 Net

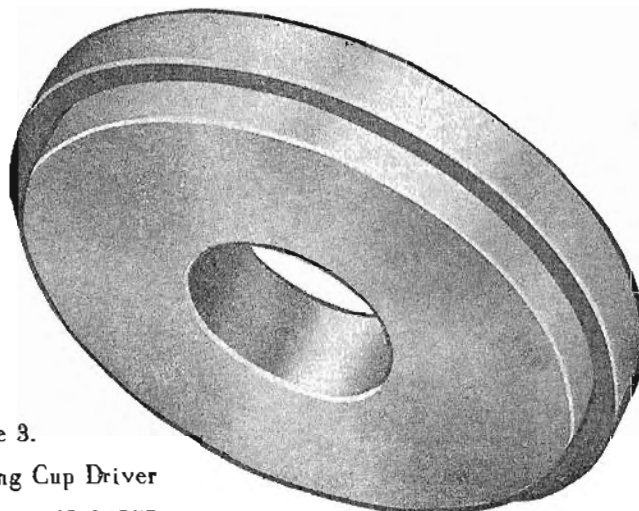


Figure 3.
Bearing Cup Driver

91-36577

C. DRIVER, BEARING CUP - MERCUISER IA-IB-IC (Figure 3)

(For Page 3 of Tool Section XI)

Required for installing forward gear bearing cup in gear housing.

91-36577

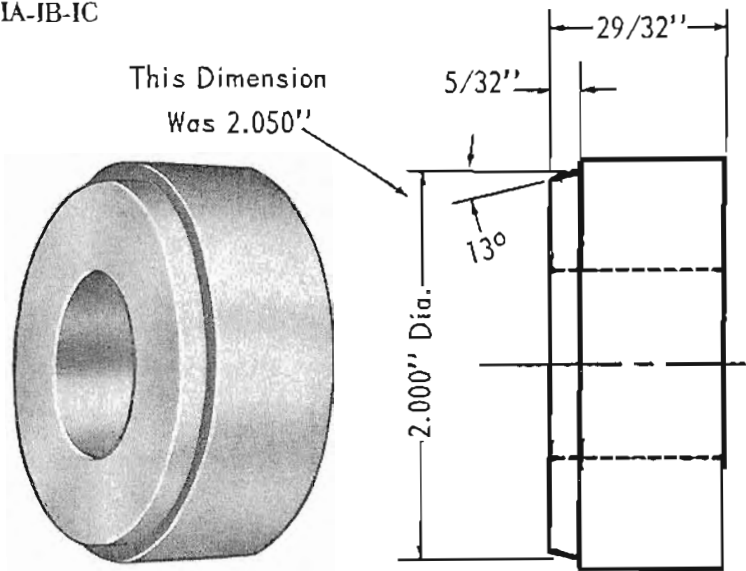
Driver, Bearing Cup
(MerCruiser IA-IB-IC)

\$1.75 Net

D. DRIVER, BEARING CUP - MERCUISER I & IA-IB-IC

(For Page 6 of Tool Section XI)

Bearing Cup Driver 91-34379, for installing drive shaft tapered roller bearing cup in gear housing, has been modified to permit use on the MerCruiser IA-IB-IC. The new modified tool is identified by the letter "A" stamped behind the part number. Your old tool can be modified, as illustrated on right (Figure 4), or you may purchase a new tool as listed.



91-34379 Driver, Bearing Cup
(MerCruiser I & IA-IB-IC) \$ 1.25 Net

Figure 4. Bearing Cup Driver 91-34379

E. SHOCK ABSORBER CAP WRENCH - MERCUISER I

(For Page 6 of Tool Section XI)

Shock Absorber Cap Wrench 91-36399A1 is included with the MerCruiser I Full Power Tilt (36065A4) conversion kit, as it is necessary to install shock absorber spacers when installing the Full Power Tilt on earlier MerCruiser I drive units. This service tool also can be purchased separately. (Figure 5)

91-36399A1 Shock Absorber Cap Wrench \$1.00 Net

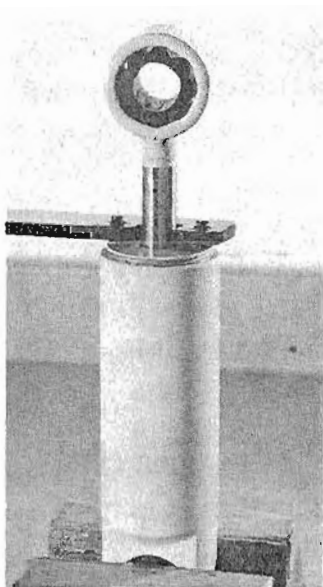


Figure 5.
Shock Absorber Cap Wrench

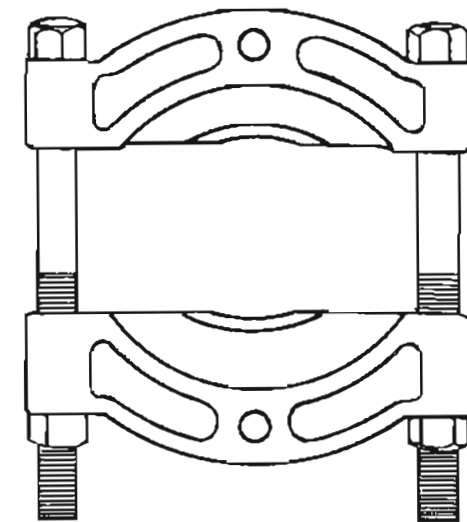
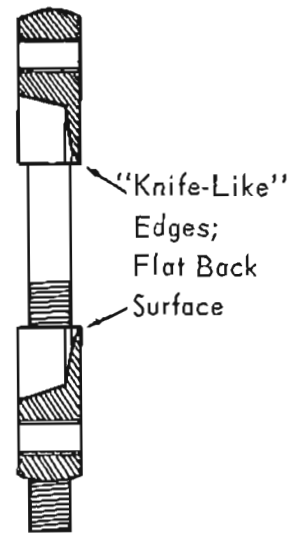


Figure 6. Universal Puller Plate



F. UNIVERSAL PULLER PLATE

(For Page 2 of Tool Section XI)

Universal Puller Plate 91-37241 (Figure 6) supersedes previous puller plates and is designed to pull gears and bearings on MerCruiser I & II. The "knife-like" edges of puller plates may be forced behind the part. The finest alloy steels and expert heat treating assures unequal strength.

91-37241 Universal Puller Plate \$13.50 Net

G. PISTOLUBER GREASE GUN (Figure 7)

(For Page 2 of Tool Section XI)

Squeeze-grip design permits one hand operation. High pressure 12" flexible hose allows easy access to grease fittings on outboards and stem drive units. MULTIPURPOSE Lubricant (92-35226) tube screws directly on grease gun to prevent possible contamination of lubricant. Lightweight and easy-to-use, the Pistoluber Grease Gun is ideal for resale to customers.

91-37299

Pistoluber Grease Gun

\$4.90

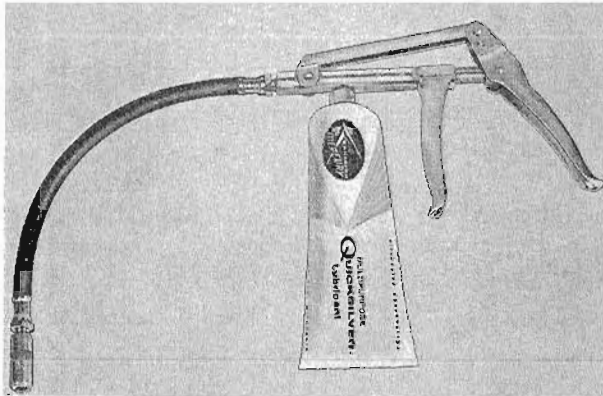


Figure 7. Pistoluber Grease Gun

H. SNAP RING PLIERS (Figure 8)

(For Page 2 of Tool Section XI)

The heavy duty Snap Ring Pliers (91-37240) is sold with two extra sets of removable tips. The tool is designed to remove and install the snap rings on MerCruiser Stern Drive Units.

91-37240

Snap Ring Pliers

\$ 5.25 Net

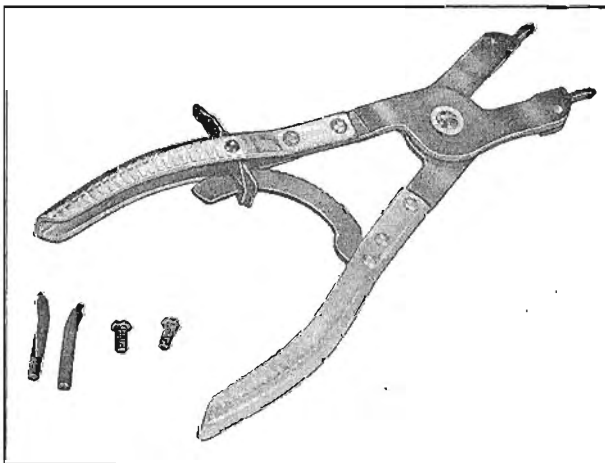


Figure 8. Snap Ring Pliers

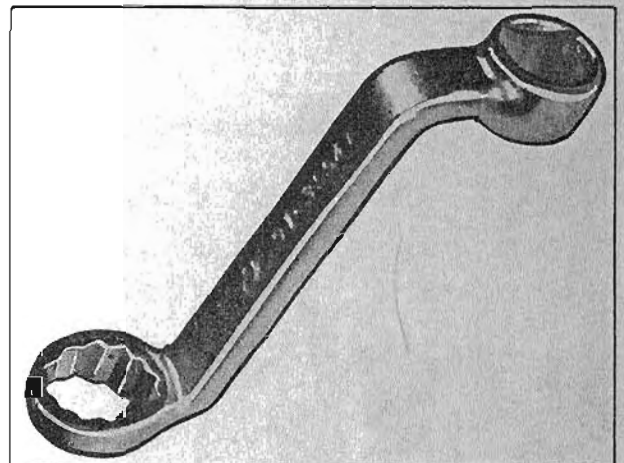


Figure 9. Engine Coupling Wrench

I. ENGINE COUPLING WRENCH

(For Page 2 of Tool Section XI)

A special off-set Engine Coupling Wrench (91-35547) now is available for removing and installing the engine coupling assembly on all MerCruiser engines. A standard 1/2" square drive permits easy torquing with any 1/2" drive torque wrench. (Figure 9)

91-35547

Engine Coupling Wrench

\$ 4.50 Net

J. THREADED COVER WRENCH

(For Page 6 of Tool Section XI)

A new spanner wrench -- Threaded Cover Wrench 91-36235 -- is required for removing the threaded cover on drive shaft housings of MerCruiser IA-IB-IC Stern Drive Units. Order now to keep your service department up-to-date! (Figure 10)

91-36235

Threaded Cover Wrench

\$ 5.65 Net

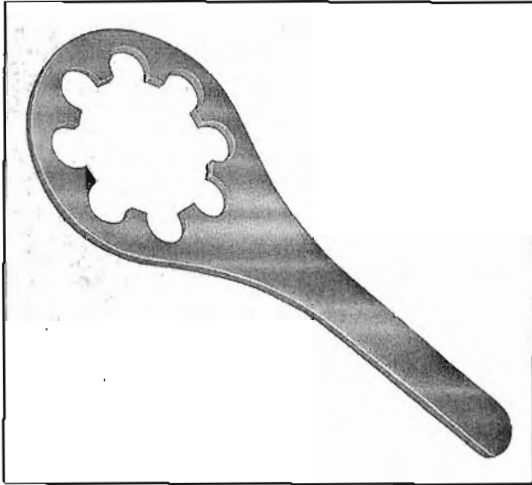


Figure 10. Threaded Cover Wrench

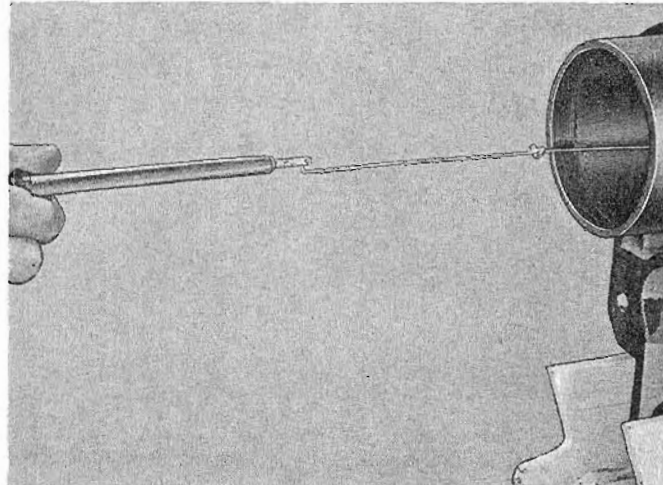


Figure 11. Bearing Pre-Load Tension Gauge

K. SPRING TENSION SCALE

(For Page 2 of Tool Section XI)

Spring Tension Scale for checking the bearing pre-load (Figure 11) and also for checking breaker spring tension (Figure 12) now is available.

91-28993

Spring Tension Scale

\$4.95

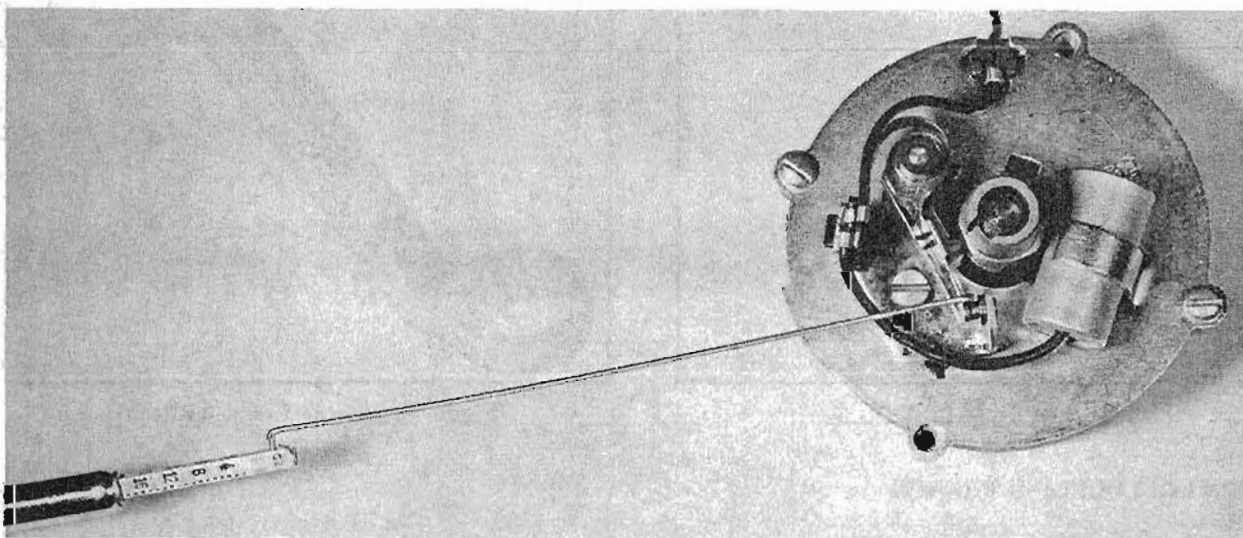


Figure 12. Checking Breaker Arm Spring Tension