

TO: SERVICE MANAGER MECHANICS
PARTS MANAGER

No. 86-12

Additional Tilt on 1987 Alpha One Models

The 1987 model year Alpha One models will have an additional 6° of stern drive unit tilt range to allow easier replacement of the propeller on certain boats. The additional tilt will also provide increased stern drive unit clearance for trailering, launching and beaching the boat.

Each of your boats with swim platforms should be checked to ensure that the swim platform provides sufficient clearance to accommodate the additional drive unit tilt. (Refer to Figure 1)

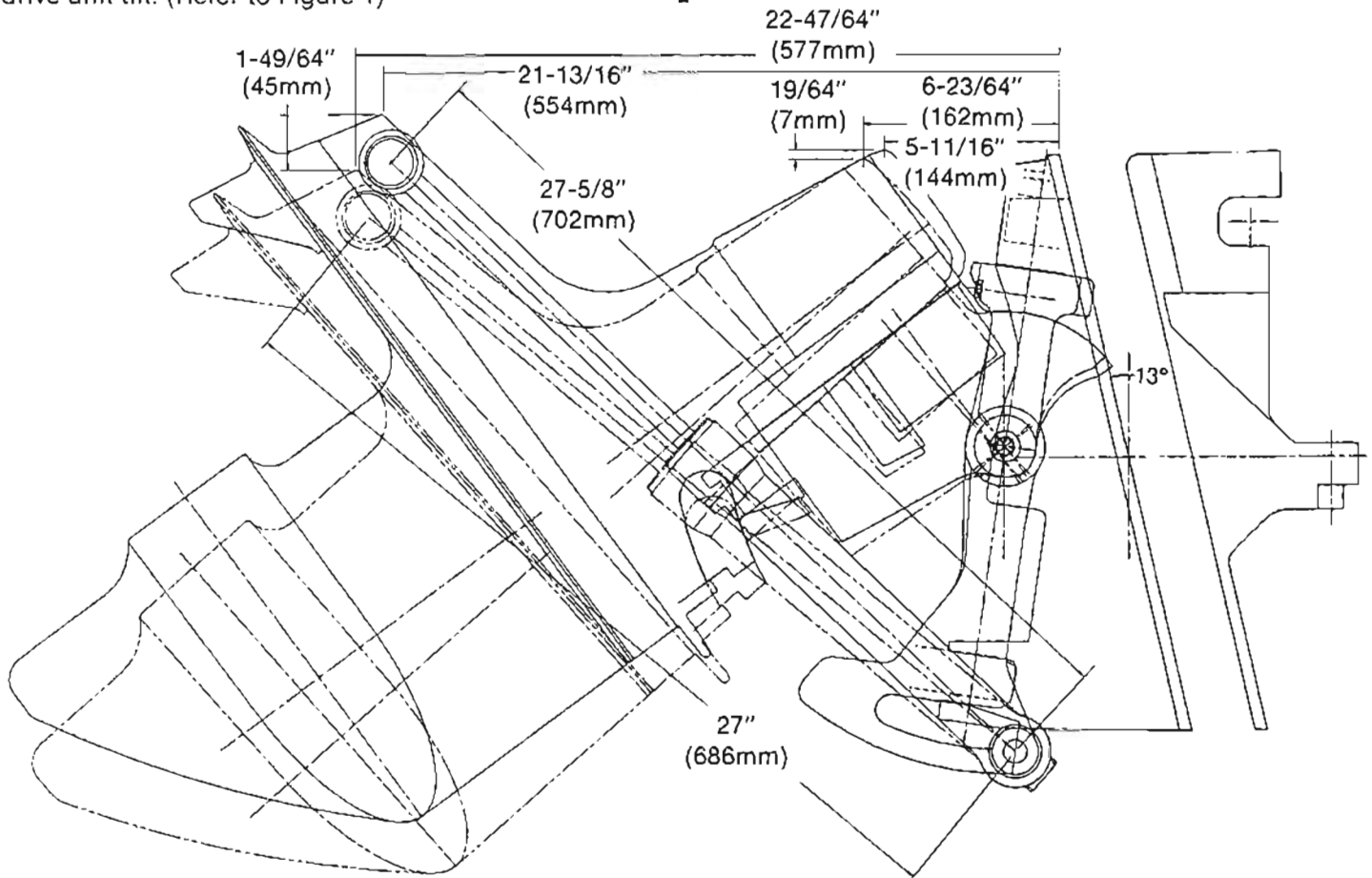


Figure 1. Drive Height Increase on Units with Additional Tilt

On installations where there is insufficient clearance, a Tilt Limit Spacer Kit, 15768A1 is available, which restricts the drive unit to the old tilt range. The kit is installed in the trim cylinder with the cylinders in place, and takes approximately 5 minutes. A spanner wrench is all that is required to remove the trim cylinder end caps. (Figures 2 and 3)

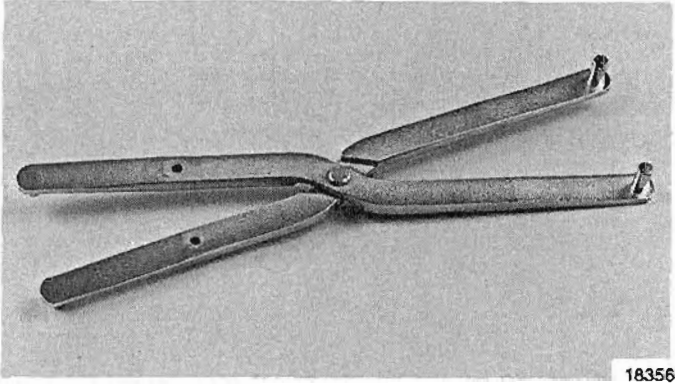
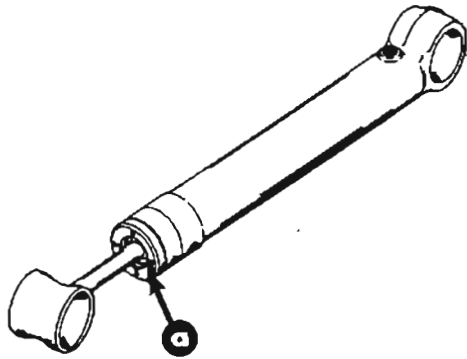


Figure 2. Typical Spanner Wrench (Snap-On A176 Shown)



a - End Cap

Figure 3. Trim Cylinder End Cap

The stern drive units, as well as the transom assembly, have been changed to achieve the additional tilt range. The new components must be used together, as a matched set.

- Use of an old stern drive unit, with a new transom assembly, could result in damage to both.
- Insufficient tilt range will result, if an old transom assembly is used with a new stern drive unit.

Listed following are the part numbers and serial numbers of components that have the additional tilt. You will note that some late 1986 stern drive units were built with this provision.

	P/N	Starting S/N
Transom Assembly	6-00013007	B433119
Stern Drive Units 1.98:1 Ratio	5-01989016 & 5-01981017	B412835 All
1.84:1 Ratio	5-01849016 & 5-01841017	B440191 All
1.65:1 Ratio	5-01659016 & 5-01651017	A688147 All
1.50:1 Ratio	5-01509016 & 5-01501017	B418353 All
1.50:1 Ratio (320 EFI)	5-01502017	All
1.32:1 Ratio	5-01329016 & 5-01321017	B400382 All

For ease of coordinating your inventory, the shipping carton on units with the 6° increased tilt will be marked with the words "Alpha One" in red ink (instead of Alpha I). Only units with this identification should be used together.

Careful coordination of your inventory will help prevent time consuming and costly mismatch problems.

Should you have any questions regarding this change, please do not hesitate to contact our sales or service department.