



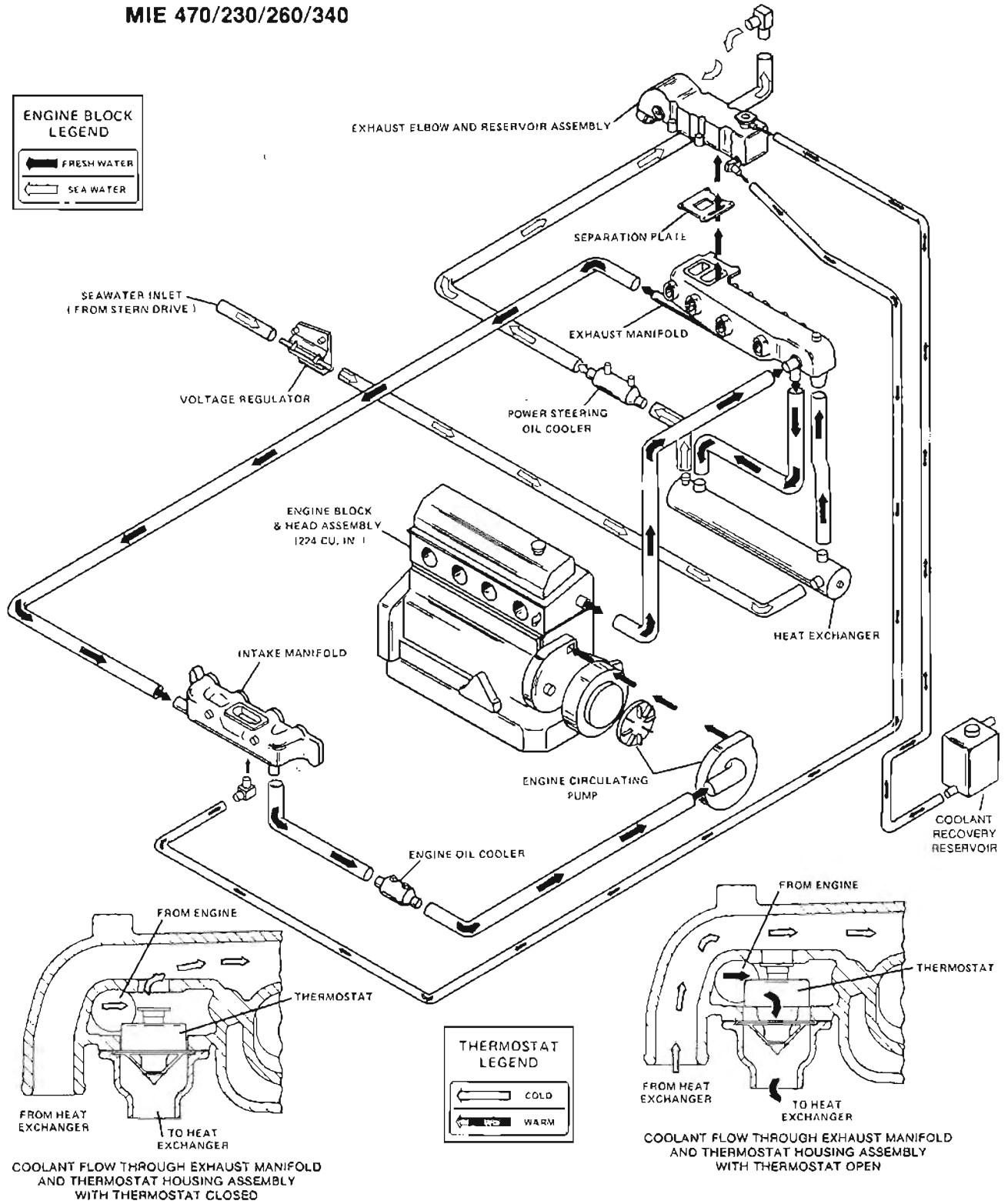
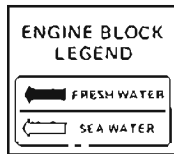
STERN DRIVES/INBOARD ENGINES

# service bulletin

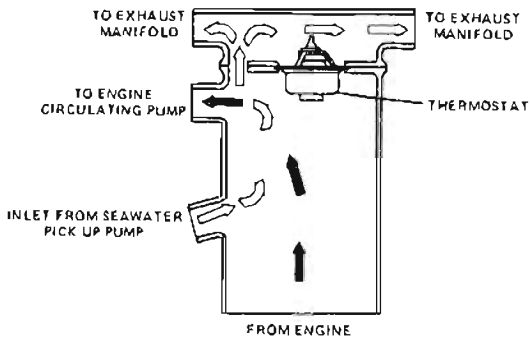
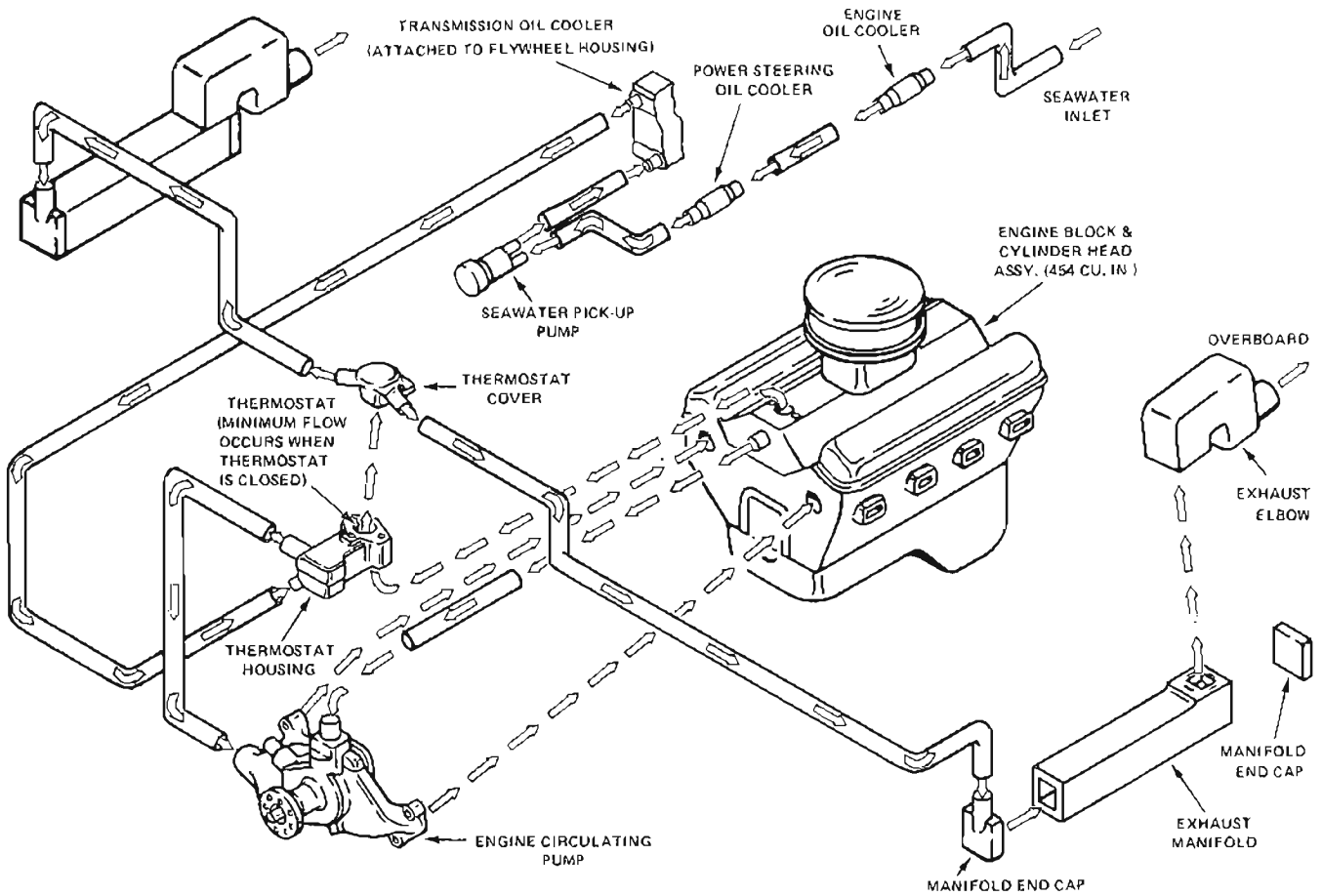
NUMBER: 81-14  
DATE: 6/22/81

Subject: **WATER FLOW DIAGRAMS —**  
**MCM 485 & MCM 370/400TRS**  
**MIE 470/230/260/340**

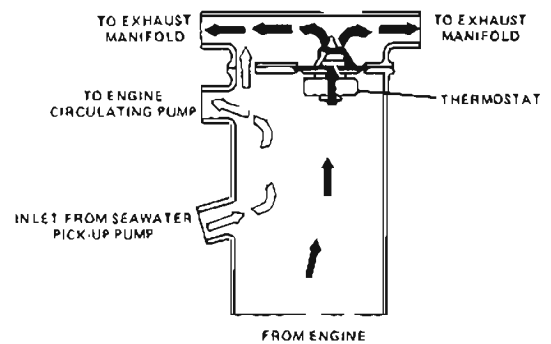
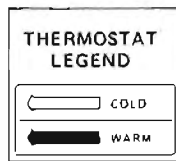
CIRCULATE TO:  
SERVICE MANAGER  
PARTS MANAGER



## MCM 485 COOLING

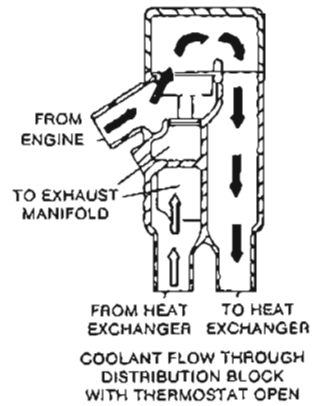
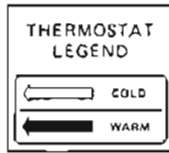
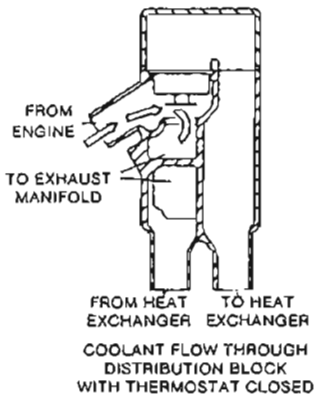
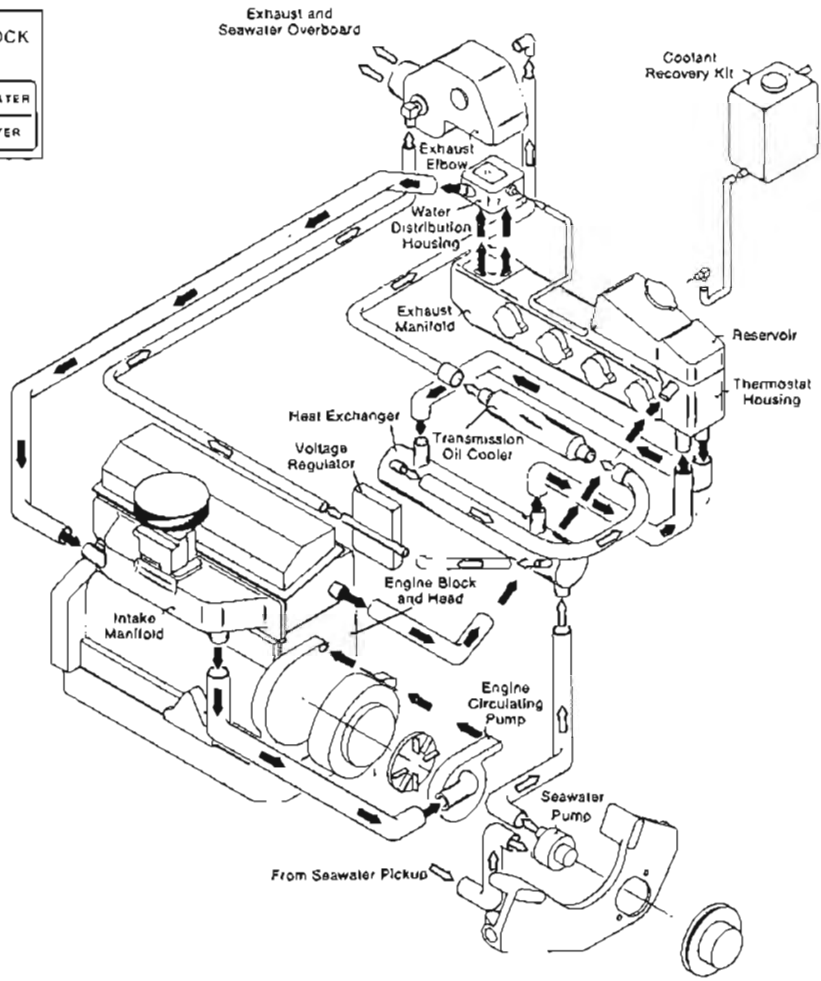
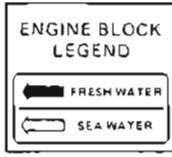


WATER FLOW THROUGH THERMOSTAT HOUSING WITH THERMOSTAT CLOSED

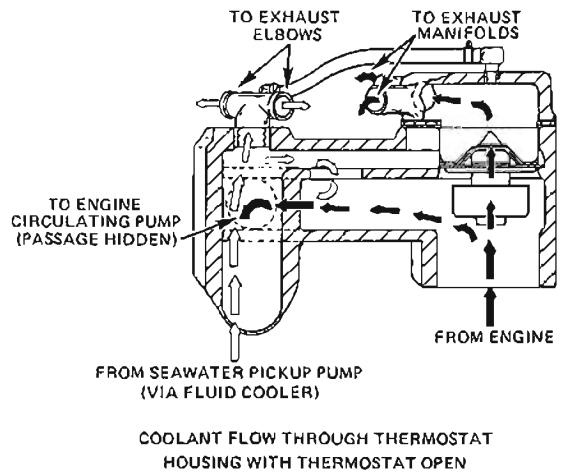
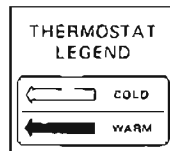
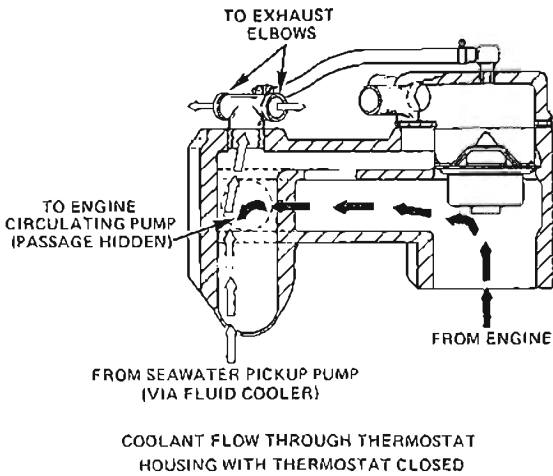
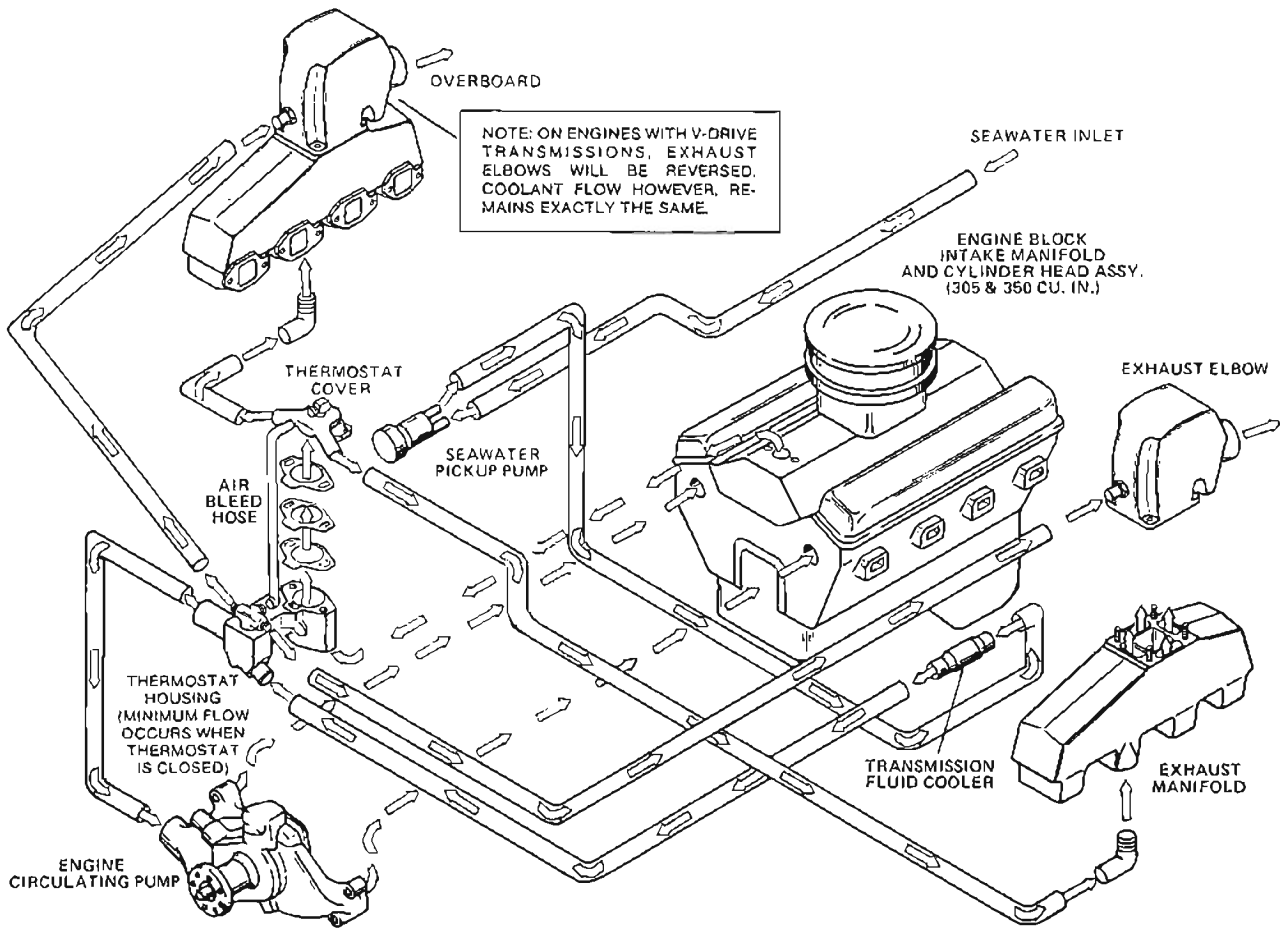


WATER FLOW THROUGH THERMOSTAT HOUSING WITH THERMOSTAT OPEN

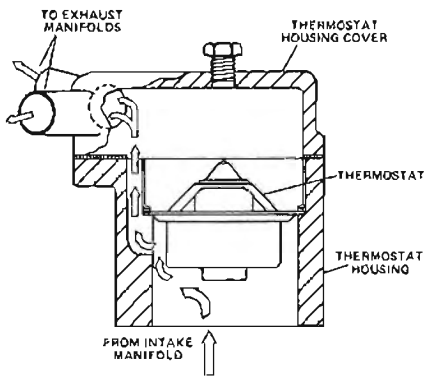
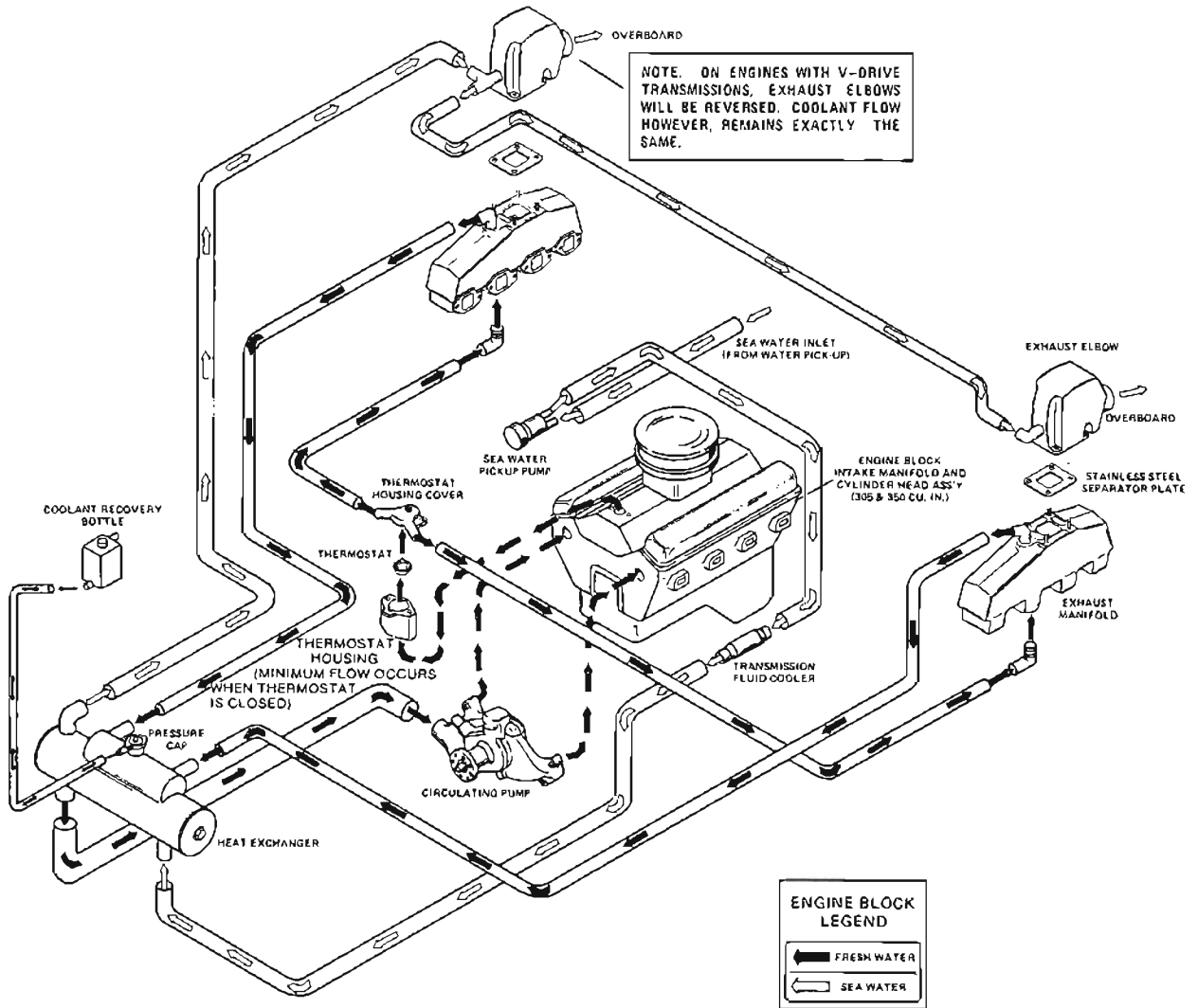
## MCM 370/400TRS STANDARD COOLING



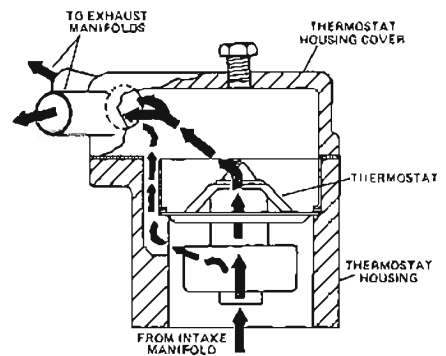
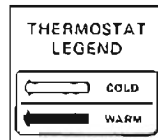
## MIE 470 COOLING



## MIE 230/260 STANDARD COOLING

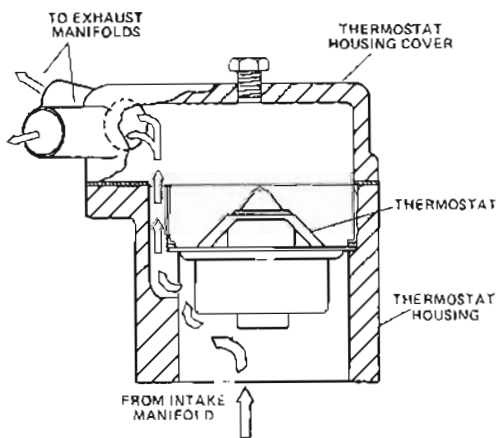
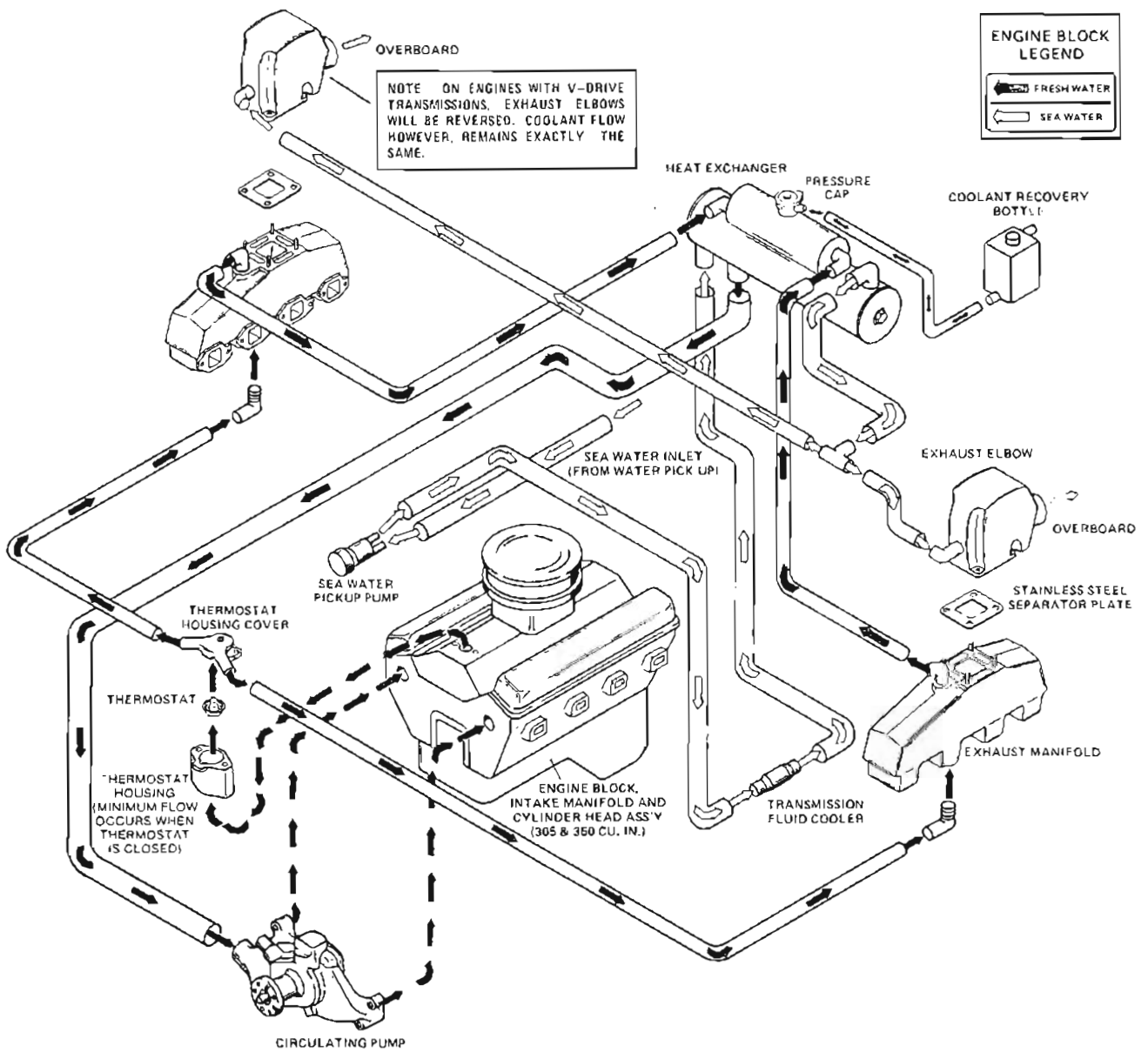


COOLANT FLOW THROUGH THERMOSTAT HOUSING WITH THERMOSTAT CLOSED (ENGINE COOL)

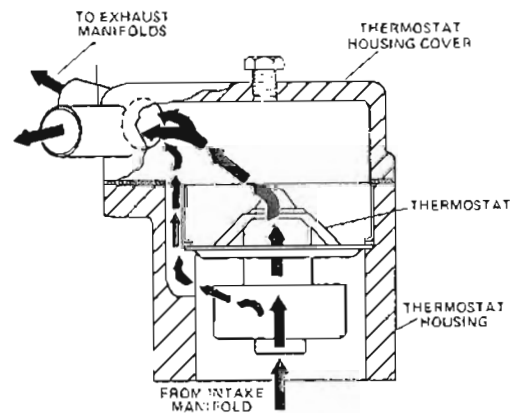


COOLANT FLOW THROUGH THERMOSTAT HOUSING WITH THERMOSTAT OPEN (ENGINE WARM)

## MIE 230/260 CLOSED COOLING (FRONT MOUNTED TANK)

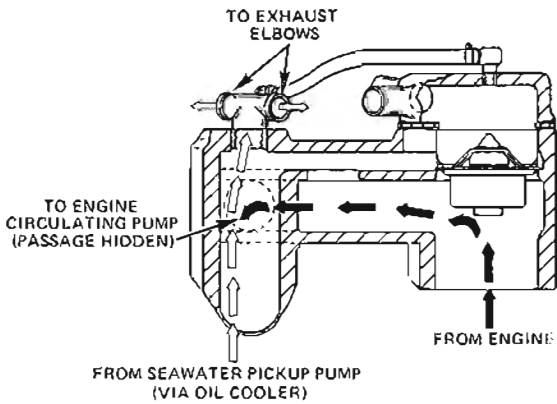
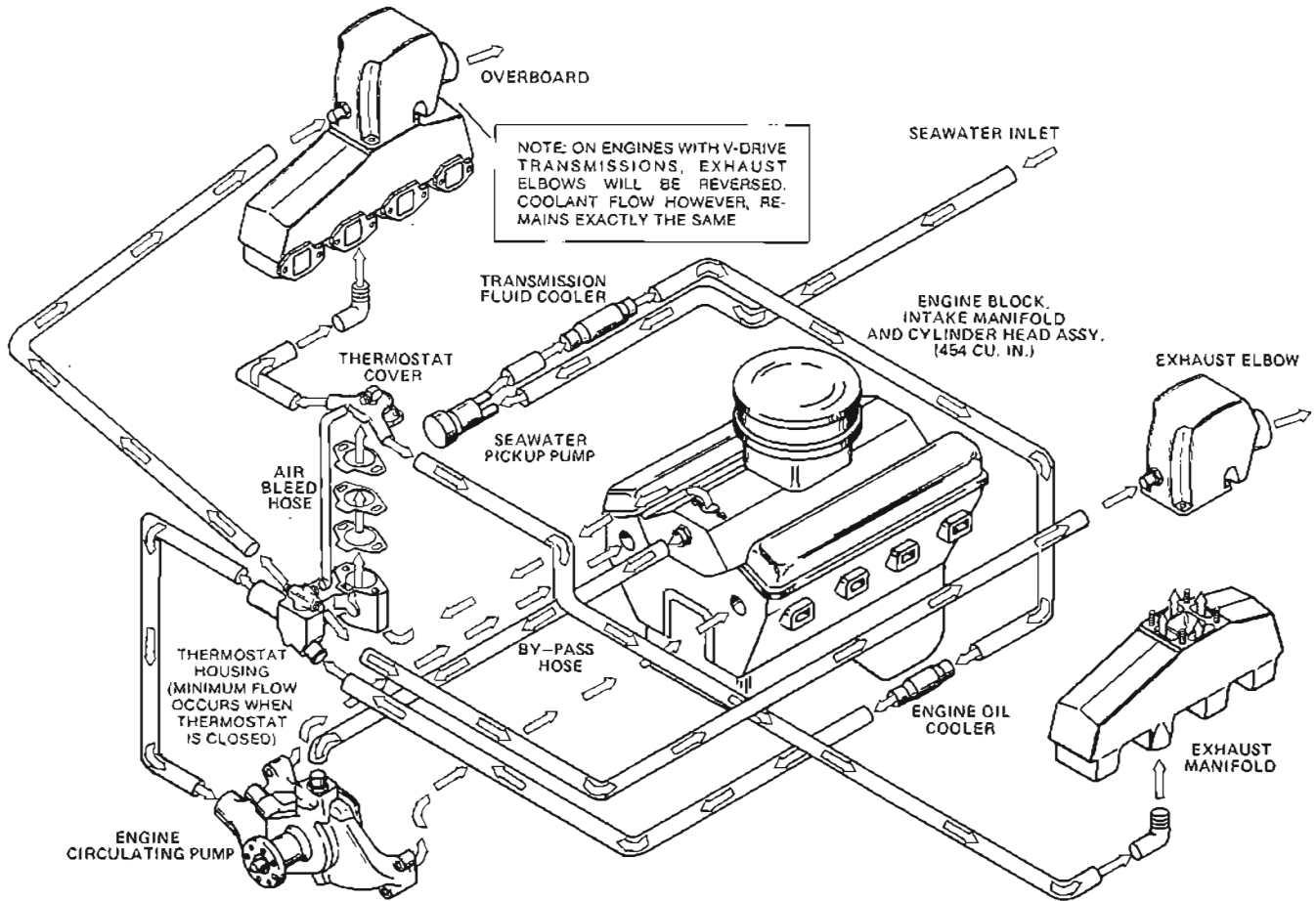


COOLANT FLOW THROUGH THROSTAT HOUSING WITH THROSTAT CLOSED (ENGINE COLD)

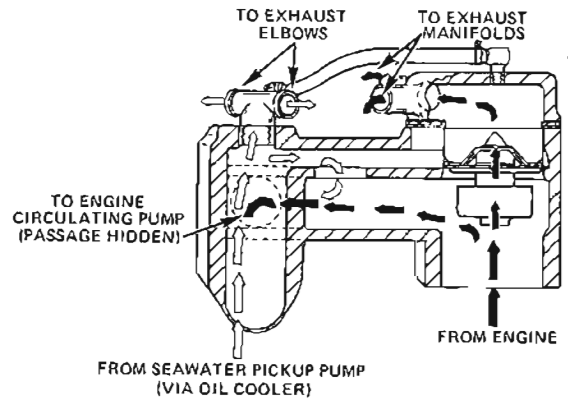
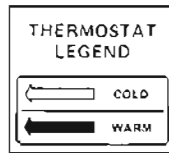


COOLANT FLOW THROUGH THROSTAT HOUSING WITH THROSTAT OPEN (ENGINE WARM)

## MIE 230/260 CLOSED COOLING (REAR MOUNTED TANK)

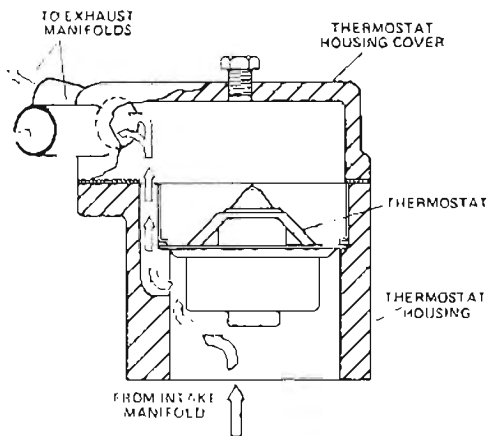
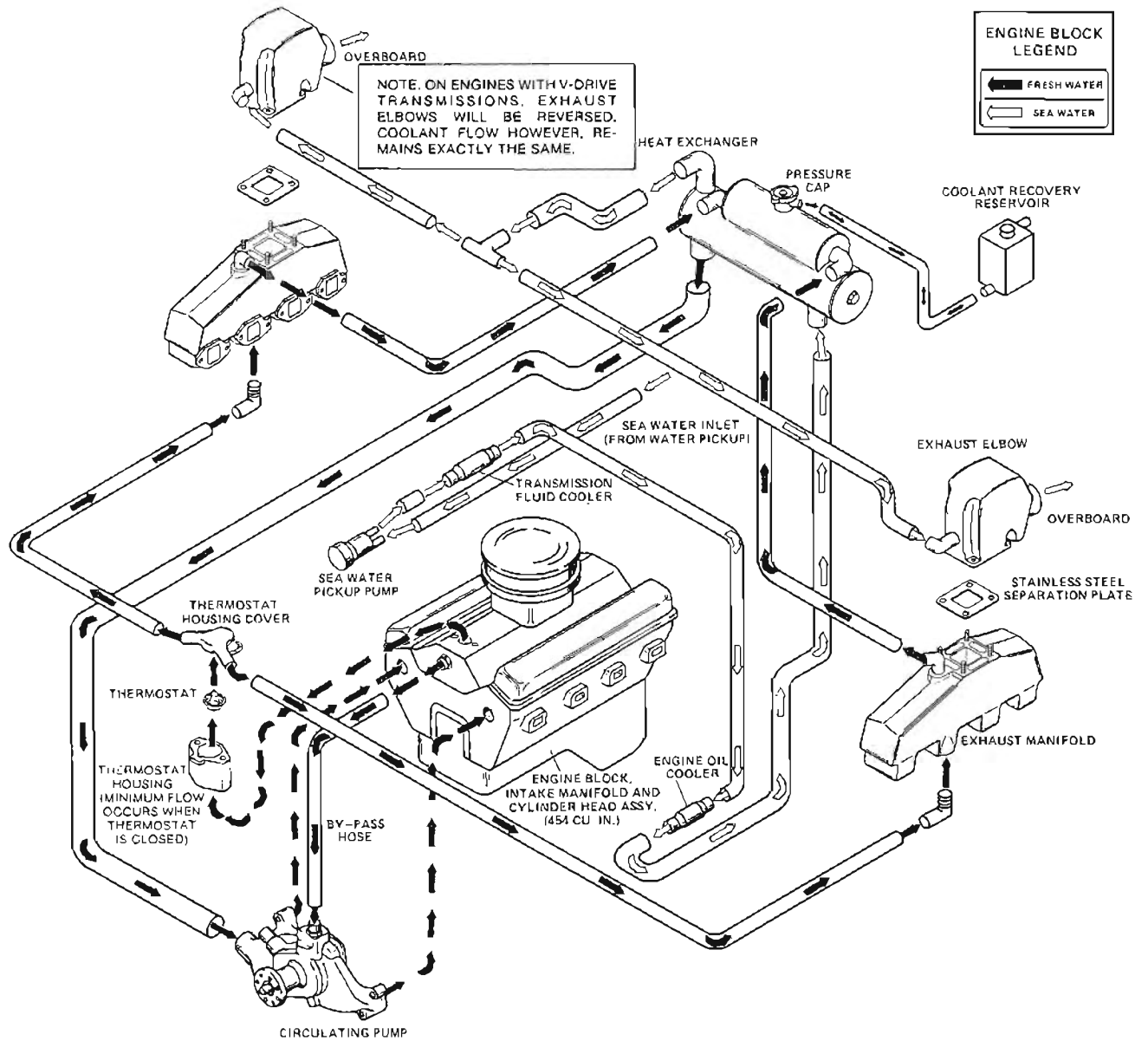


COOLANT FLOW THROUGH THERMOSTAT HOUSING WITH THERMOSTAT CLOSED

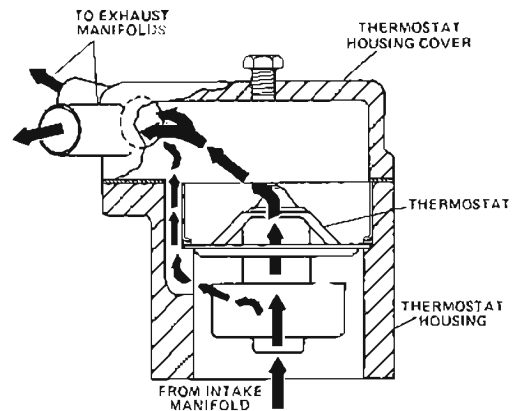


COOLANT FLOW THROUGH THERMOSTAT HOUSING WITH THERMOSTAT OPEN

## MIE 340 STANDARD COOLING



MINIMUM FLOW THROUGH THERMOSTAT HOUSING WITH THERMOSTAT CLOSED (ENGINE COLD)



COOLANT FLOW THROUGH THERMOSTAT HOUSING WITH THERMOSTAT OPEN (ENGINE WARM)

## MIE 340 CLOSED COOLING (REAR MOUNTED TANK)