

NUMBER: 83-30

CIRCULATE TO:
SERVICE MANAGER
PARTS MANAGER
MECHANICS
"Place in a Service
Bulletin Binder"

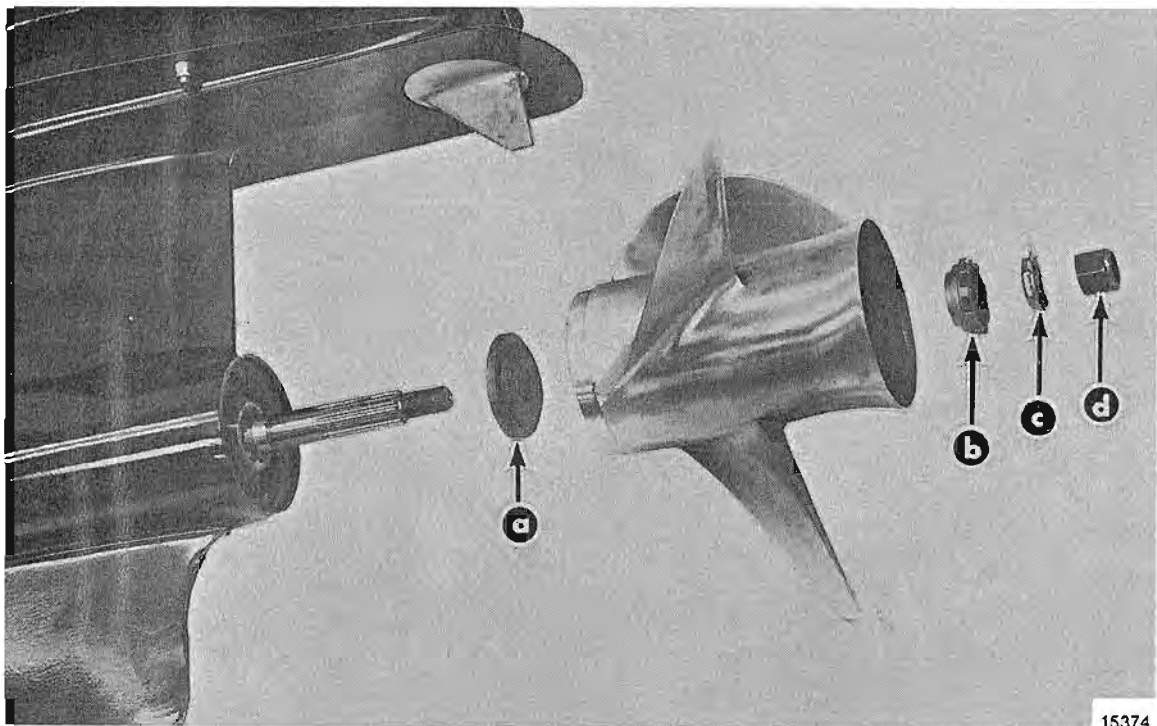
- A. Part Number and Pitch Stamped on Quicksilver Propellers
- B. MerCruiser TRS Cleaver Propeller Attaching Hardware
- C. Propellers and Attaching Hardware for MerCruiser 80, 90, I, IA, IB, IC, IA-EZ, IB-EZ, IC-EZ, 120, 140 and 160
- D. Propeller Forward Thrust Hub Usage on MerCruiser I Models

A. PART NUMBER AND PITCH STAMPED ON QUICKSILVER PROPELLERS

At your request, we will once again stamp the part number and pitch on the outer hub of Quicksilver propellers (40 horsepower and above). This will allow easier identification of propellers when installed. The stamping operation will be done as a running change and, therefore, you may receive propellers which are not stamped for a period of time.

B. MERCRUISER TRS CLEAVER PROPELLER ATTACHING HARDWARE

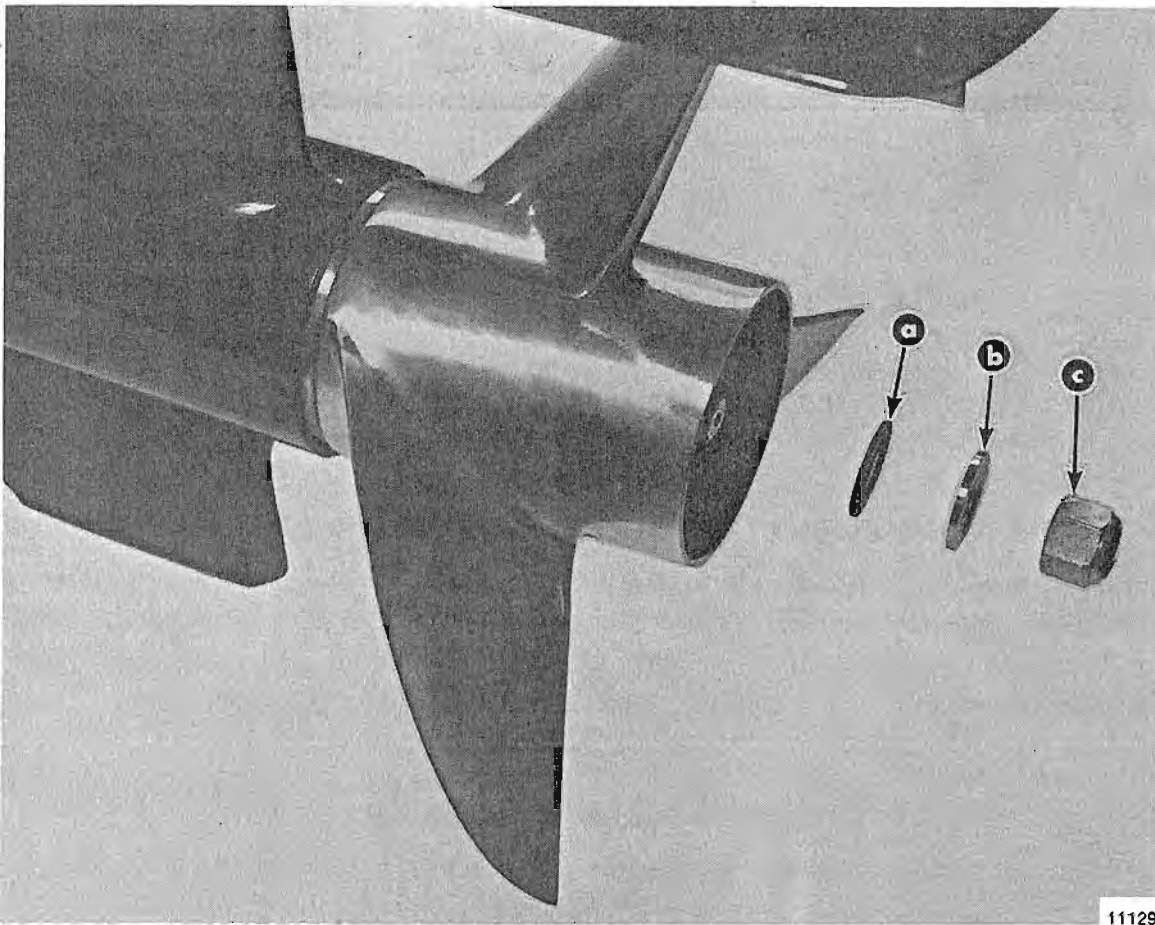
We frequently receive questions regarding the part numbers for the attaching hardware used with the two different type of TRS cleaver propellers. Figures 1 and 2, following, should help to clarify this subject.



a - Front Thrust Hub (92950)
b - Splined Washer (12-31211)

c - Tab Washer (14-31210)
d - Propeller Nut (11-52707)

Figure 1. Attaching Hardware for Cleaver Propellers With Square Rubber Drive Hub and Diffuser Ring



- a - Spline Washer (12-39701)
- b - Flat Washer (12-39698)
- c - Propeller Nut (11-52707)

Figure 2. Attaching Hardware for Cleaver Propellers With Solid Drive Hub

⚠ CAUTION

Some older MerCruiser TRS Cleaver propellers (with solid drive hub) require the use of two (2) spline washers (12-39701) to properly secure propeller. These propellers are stamped with a "w" after the pitch on the aft end of the propeller. Propeller is properly secured when; 1) spline washers engage propeller shaft splines and 2) spline washers are fully compressed without flat washer bottoming against shoulder on prop shaft with propeller nut properly torqued (55 lbs. ft. minimum). **FAILURE TO PROPERLY SECURE PROPELLER MAY RESULT IN DAMAGE TO PROPELLER, PROPELLER SHAFT AND/OR GEAR HOUSING.**

C. PROPELLERS AND ATTACHING HARDWARE FOR MERCUISER 80, 90, I, IA, IB, IC, IA-EZ, IB-EZ, IC-EZ, 120, 140 and 160

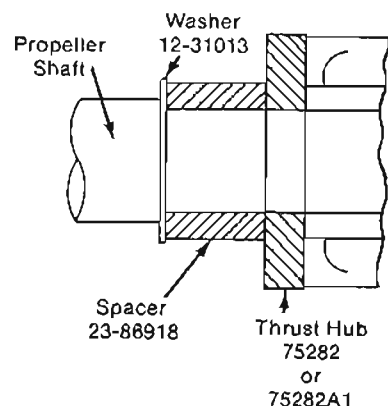
The above models were originally equipped with propeller shafts that had a square thrust hub shoulder (as compared to the tapered thrust hub shoulder used on new models). When using the new style propellers (listed following) on these models, the attaching hardware shown **MUST BE** used.

MerCruiser 80, 90 and I

New Style Propellers

12-5/8"	25"	3	Stainless Steel	48-72758A4
12-1/2"	23"	3	Aluminum	48-77350A4
12-3/4"	23"	3	Stainless Steel	48-72760A4
12-3/4"	21"	3	Aluminum	48-77348A4
13"	21"	3	Stainless Steel	48-72500A4
13"	19"	3	Aluminum	48-77346A4
13-1/4"	19"	3	Stainless Steel	48-72762A4
13-1/4"	17"	3	Aluminum	48-77344A4
13-1/2"	17"	3	Stainless Steel	48-72764A4
13-3/4"	15"	3	Aluminum	48-77342A4
13-3/4"	15"	3	Stainless Steel	48-87444A4
14"	13"	3	Aluminum	48-77340A4
14"	11"	3	Aluminum	48-77338A4

Attaching Hardware

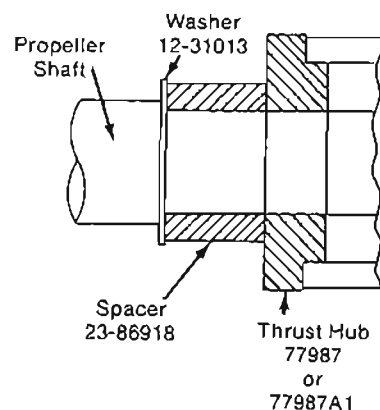


MerCruiser IA, IB, IC, IA-EZ, IB-EZ, IC-EZ, 120, 140 and 160

New Style Propellers

13-3/8"	25"	3	Stainless Steel	48-79796A4
13-3/8"	25"	3	Aluminum	48-78126A4
13-1/2"	23"	3	Stainless Steel	48-75724A4
13-1/2"	23"	3	Aluminum	48-78124A4
13-3/4"	21"	3	Stainless Steel	48-73982A4
13-3/4"	21"	3	Aluminum	48-78122A4
14"	19"	3	Stainless Steel	48-73980A4
14"	19"	3	Aluminum	48-78120A4
14-1/2"	17"	3	Stainless Steel	48-79794A4
14-1/2"	17"	3	Aluminum	48-78118A4
14-1/2"	15"	3	Stainless Steel	48-93272A4
15-1/4"	15"	3	Aluminum	48-78116A4
16"	13"	3	Aluminum	48-78114A4
16"	11"	3	Aluminum	48-78112A4

Attaching Hardware



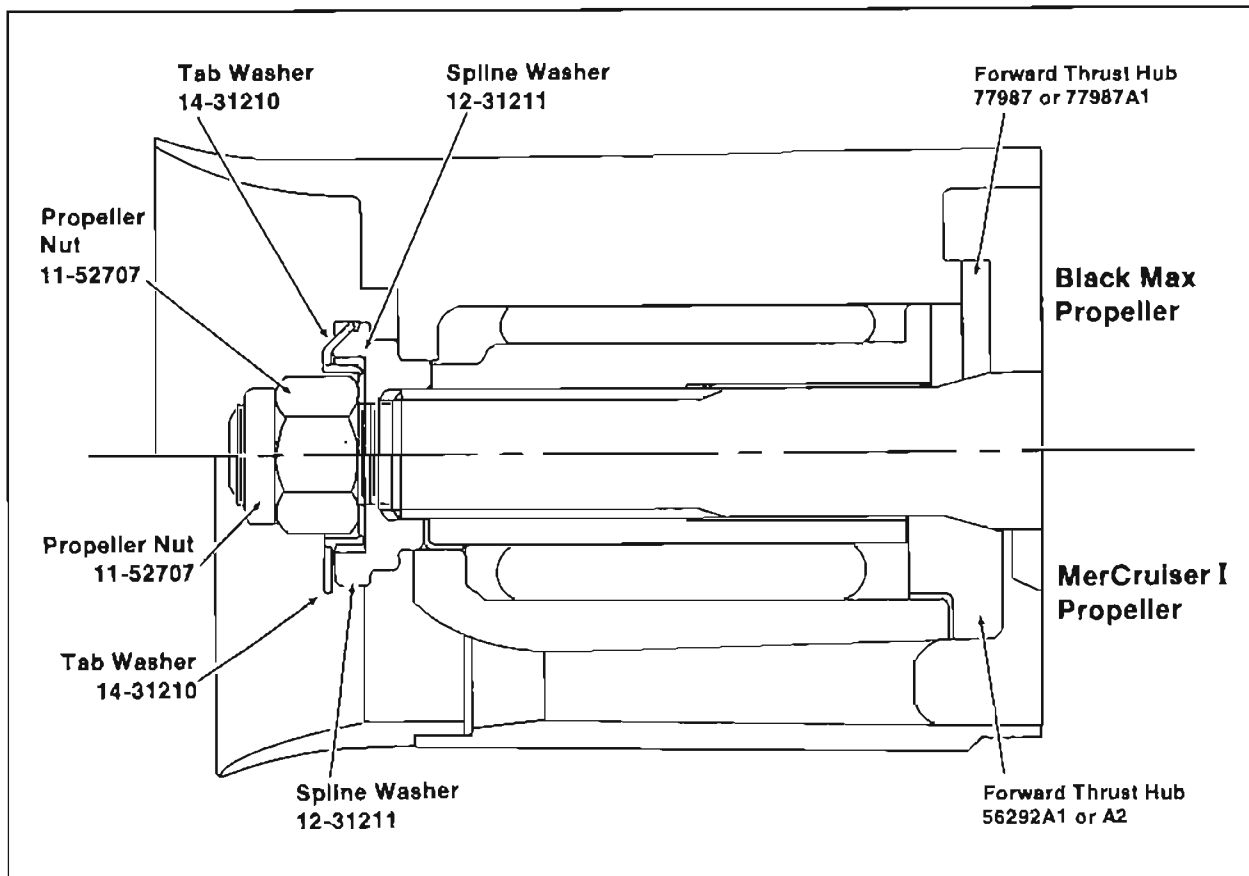
D. PROPELLER FORWARD THRUST HUB USAGE ON MERCUISER I MODELS

Just as a reminder, the forward thrust hub must be selected to correspond with the propeller being used on MerCruiser I models (refer to chart, following).

- When using the older MerCruiser I propellers, forward thrust hub (56292A1 or A2) must be used. This hub is made of bronze and is fitted with a stainless steel washer. The number "56292" is cast into one of the cavities.
- When using the new Black Max propellers, forward thrust hub (77987 or 77987A1) must be used. This hub is made of aluminum and has a casting number of "77987". All MerCruiser 120R-thru-260R stern drive units are originally equipped with this hub.

⚠ CAUTION

Use of forward thrust hub (77987 or 77987A1) with an older MerCruiser I propeller will cause the propeller to contact the gear housing and subsequent damage to the housing and/or propeller may result.



BLACK MAX PROPELLERS

48-78126A4	48-78112A4
48-78124A4	48-79796A4
48-78122A4	48-75724A4
48-78120A4	48-73982A4
48-78118A4	48-73980A4
48-78116A4	48-79794A4
48-78114A4	48-93272A4

MERCUISER I PROPELLERS

48-79580A4	48-88446A4
48-79578A4	48-88444A4
48-79576A4	48-88442A4
48-79574A4	48-88440A4
48-79572A4	48-88438A4
48-79570A4	(And All Older
48-79568A4	MC-I Propellers)