

A. Thru Transom Exhaust on MCM 185R (V-6)/898R/228R/260R
Stern Drive Engines - 1983 and Newer

CIRCULATE TO:
SERVICE MANAGER
PARTS MANAGER
MECHANICS
"Place in a Service
Bulletin Binder"

**A. THRU TRANSOM EXHAUST ON MCM 185R (V-6)/898R/228R/260R STERN DRIVE
ENGINES - 1983 and Newer**

▲ CAUTION

It is the responsibility of the boat manufacturer or installing dealer to properly locate the engine and install the exhaust system. Improper installation may allow water to enter the exhaust manifolds and combustion chambers and severely damage the engine. Damage caused by water in the engine will not be covered by MerCruiser Warranty, unless this damage is the result of defective part(s).

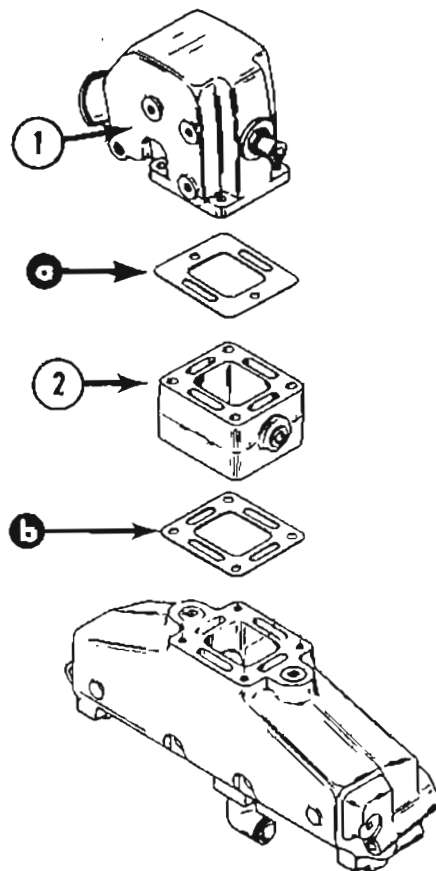
When installing thru transom exhaust on these model stern drive engines, certain steps must be taken to prevent water from entering the engine.

1. Exhaust Elbow (without stainless steel tube):
MUST BE CHANGED. Order:
(2) 98504A3 Exhaust Elbows
(2) 27-41813 Exhaust Elbow Restrictor Gaskets

NOTE: If engine has stainless steel restrictor plate (99208A1), discard plate when using 27-41813 Restrictor Gaskets.

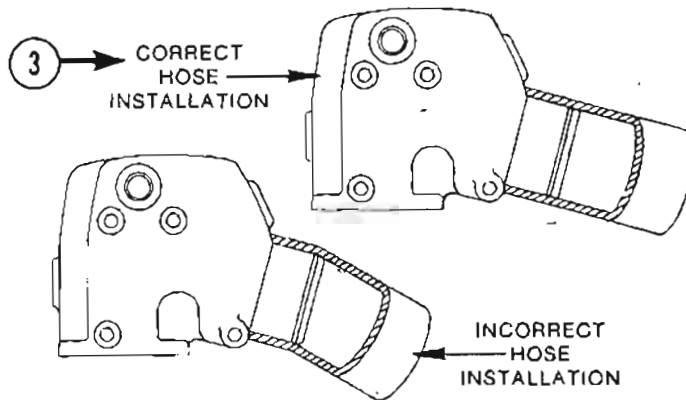
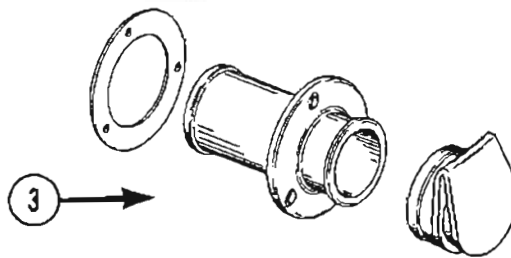
2. 3" or 6" Exhaust Elbow Riser Kits: If these kits are going to be used, restrictor gasket (a) MUST BE INSTALLED between the riser and exhaust elbow.

27-87105 Riser gasket (b) is installed at location shown.



3. Transom Exhaust Outlets and Exhaust Hoses:

- OUTLETS MUST HAVE internal shutters and external flappers. Order: (1) 57885A2 Thru Transom Exhaust Kit
- OUTLETS MUST BE LOWER than exhaust elbow. There must be $\frac{1}{2}$ " drop per 1 ft. length in exhaust hose minimum.
- Exhaust outlet (thru transom) MUST BE above the water line with boat at rest and maximum load aboard.
- Exhaust hoses MUST NOT restrict discharge water flow at exhaust elbow. Also, USE TWO CLAMPS at each hose connection.



4. Exhaust Bellows (32734A3): Remove and discard exhaust bellows (between drive unit bell housing and gimbal housing) to allow propeller to draw air.



5. Gimbal Housing Exhaust Block-Off Plate: A block-off plate is available from Mercury Marine, order: (1) 97350 Exhaust Block-Off Plate

