

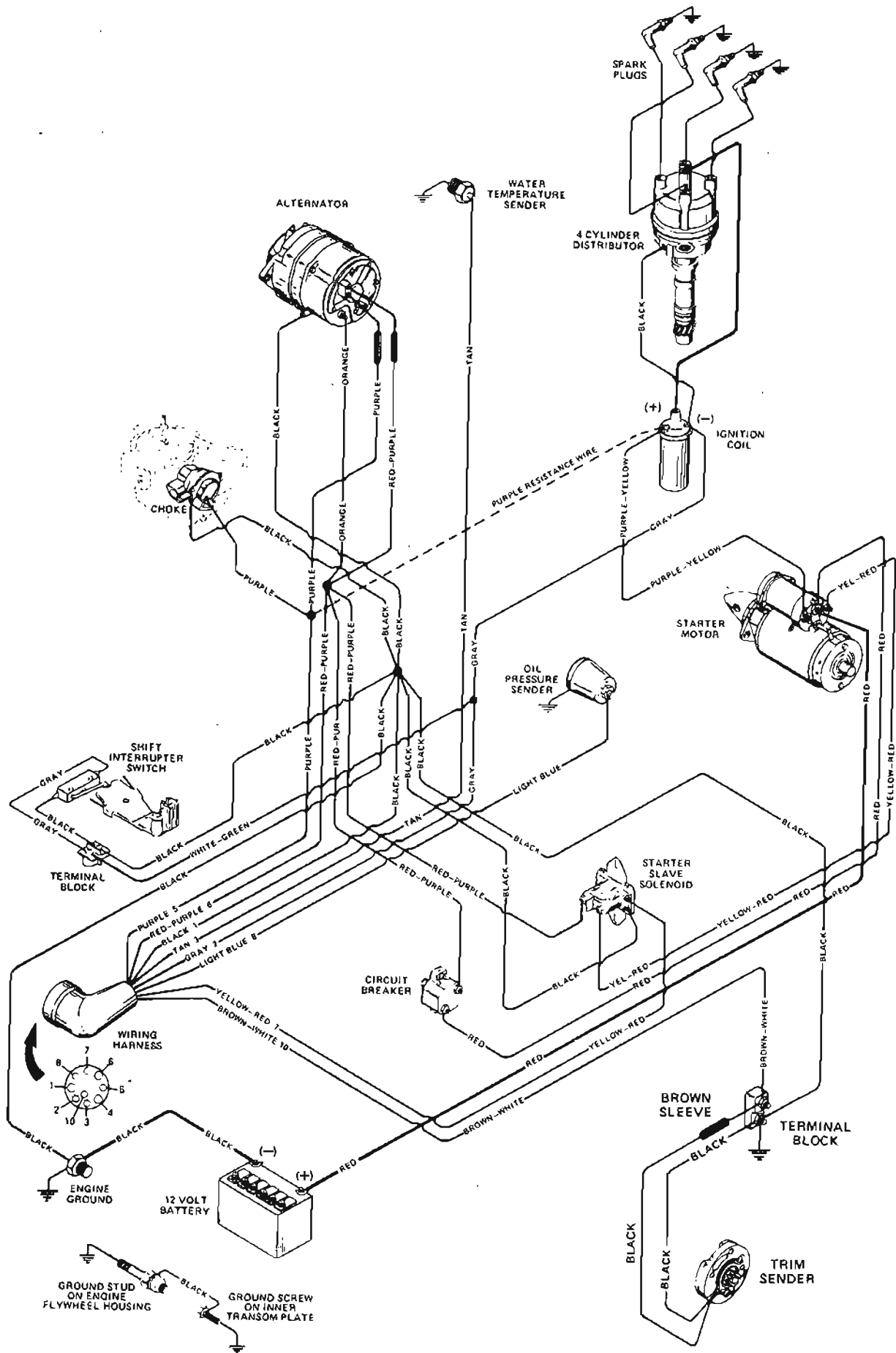
NUMBER: 84-3

CIRCULATE TO:
SERVICE MANAGER
PARTS MANAGER
MECHANICS
"Place in a Service
Bulletin Binder"

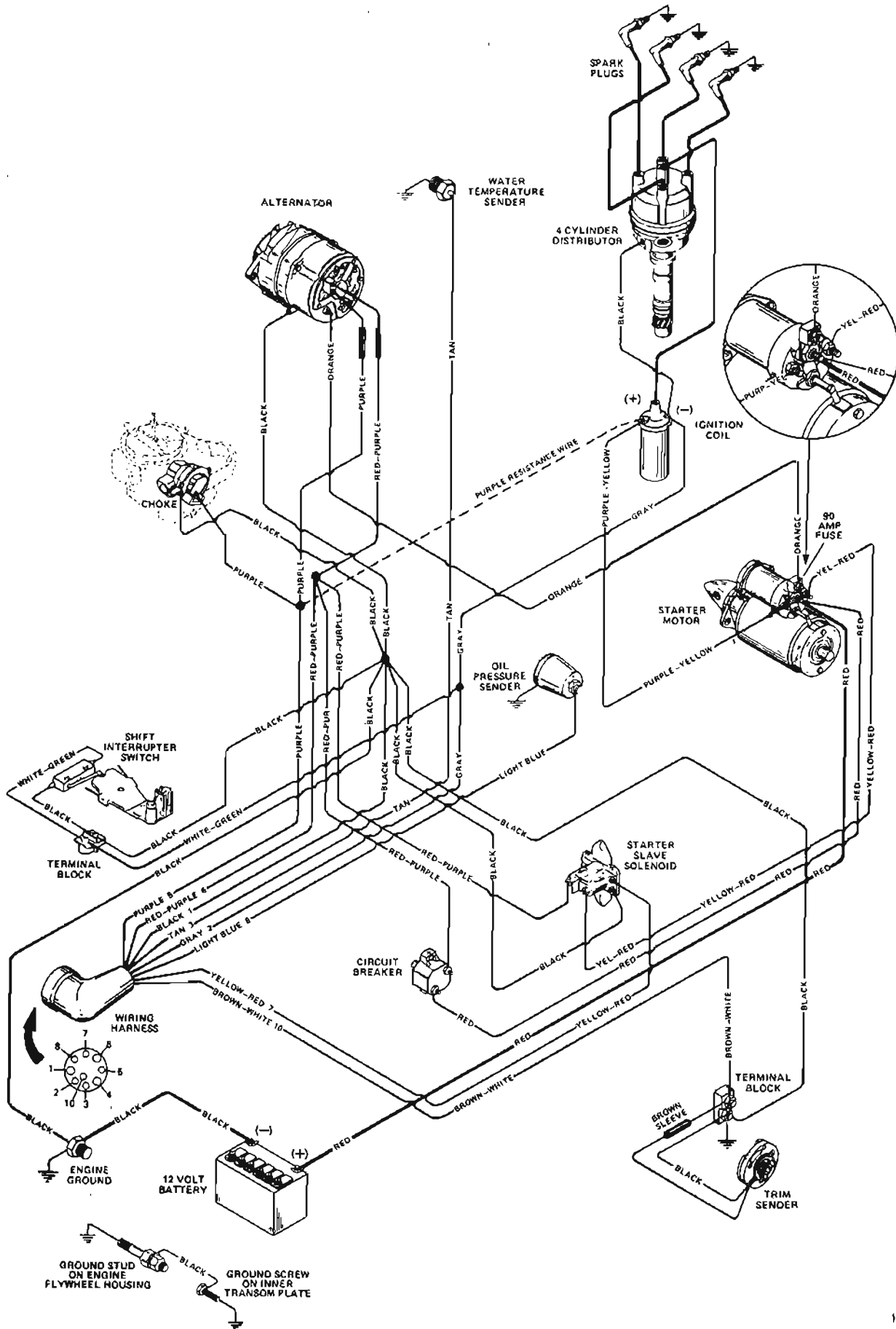
WIRING DIAGRAM SERVICE MANUAL

- MCM 120R/140R/470R/488R
- 185R (V-6)/898R/228R/260R
- MCM 330 (B-W)/370TRS
- MIE 230/260/340
- Instrumentation Wiring Diagram
- Oildyne Power Trim Wiring Diagram
- Prestolite Power Trim Wiring Diagram
- Dual Engine Power Trim Control Wiring Diagram

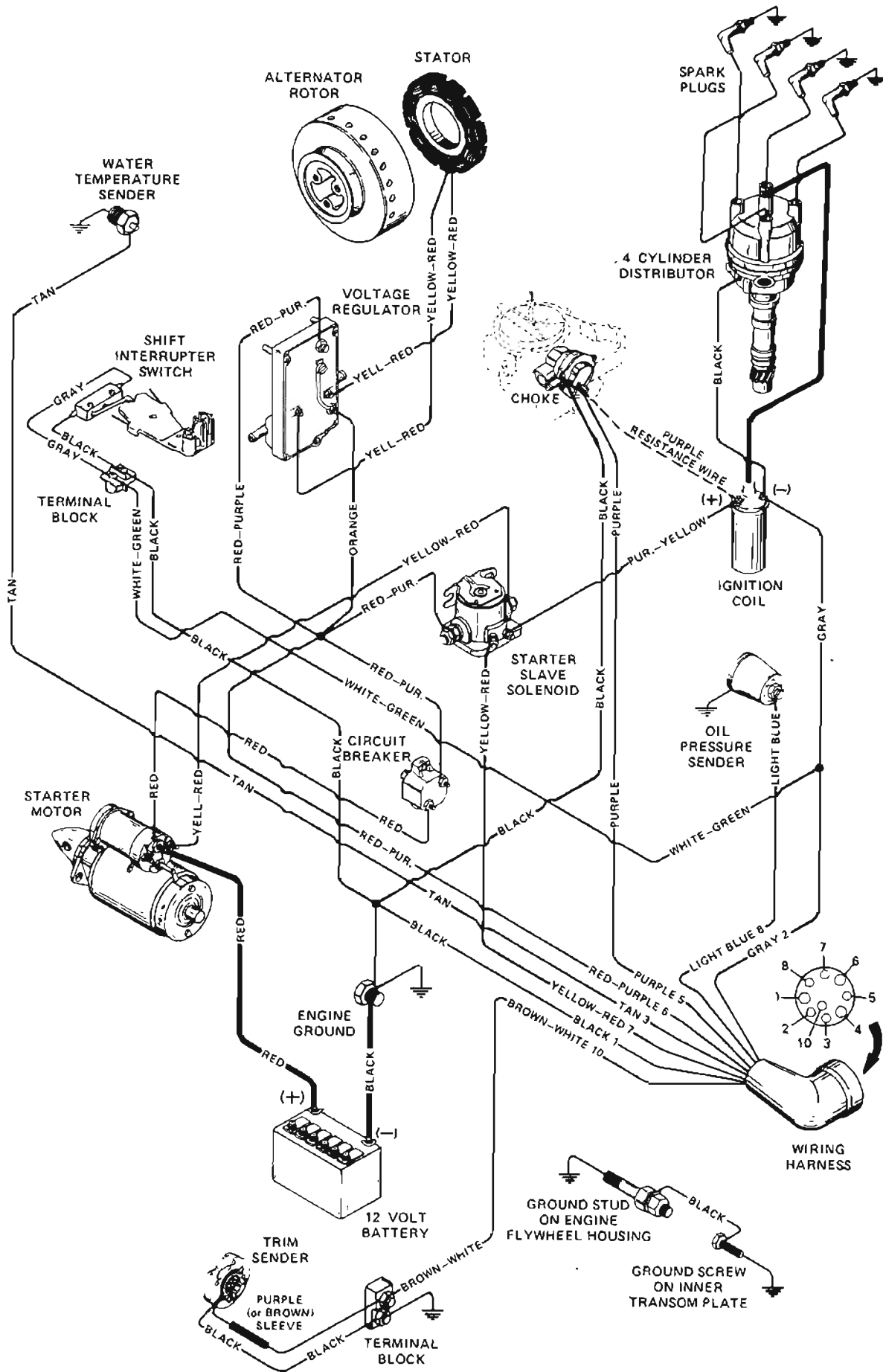
Place this manual in the Service Bulletin binder
or Section 3E of 90-71707 Service Manual.



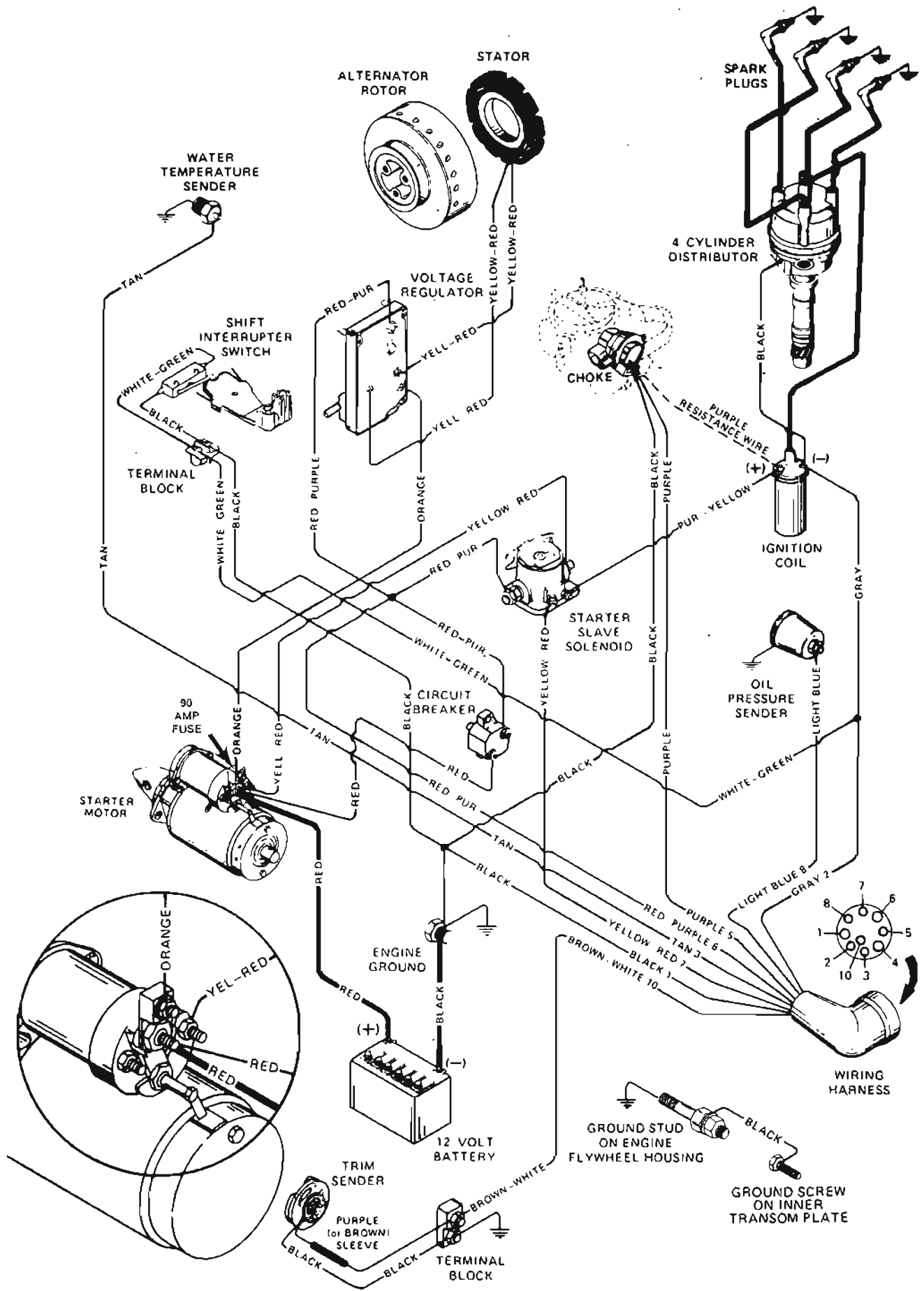
MCM 120R/140R without Fuse



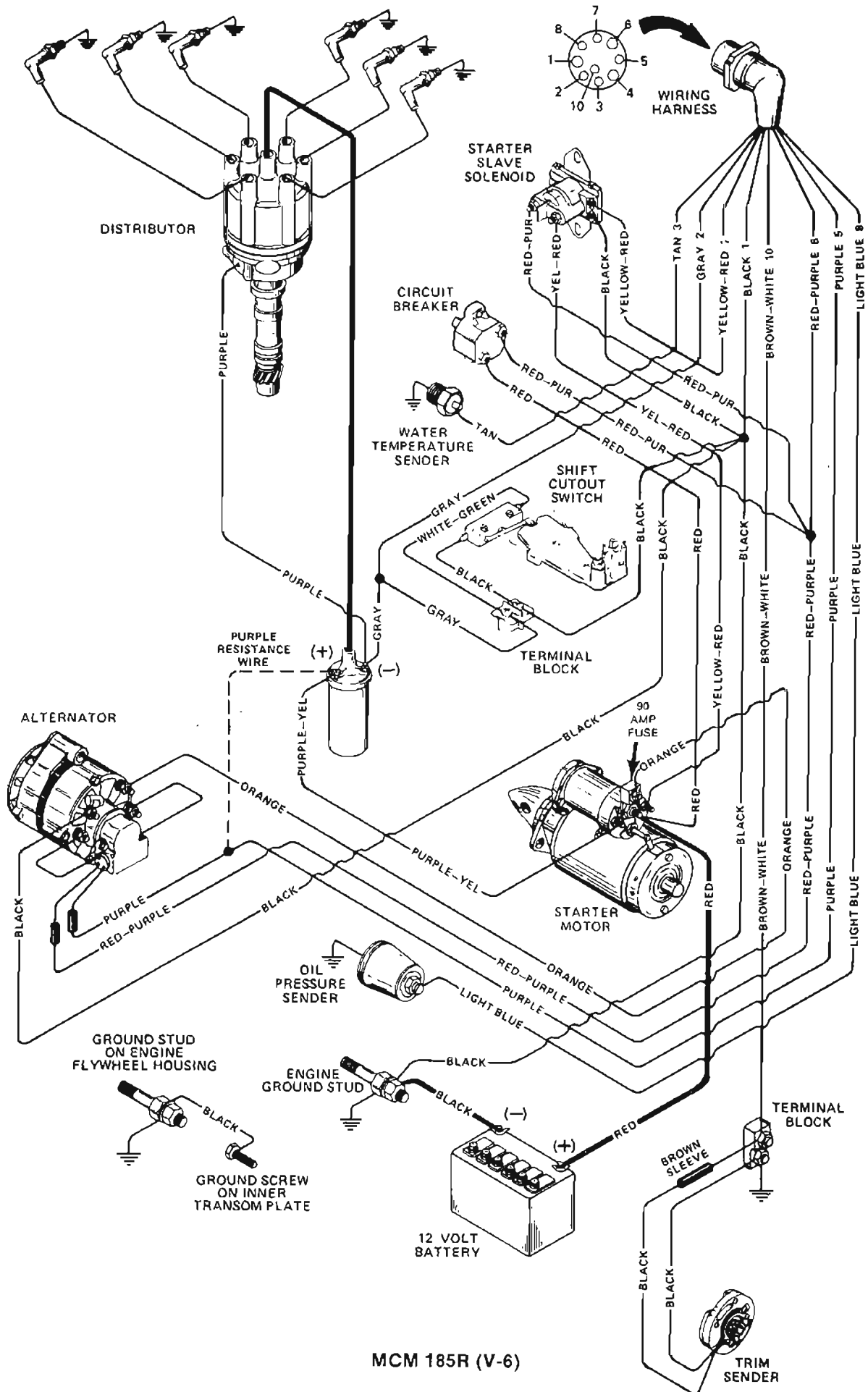
MCM 120R/140R with Fuse



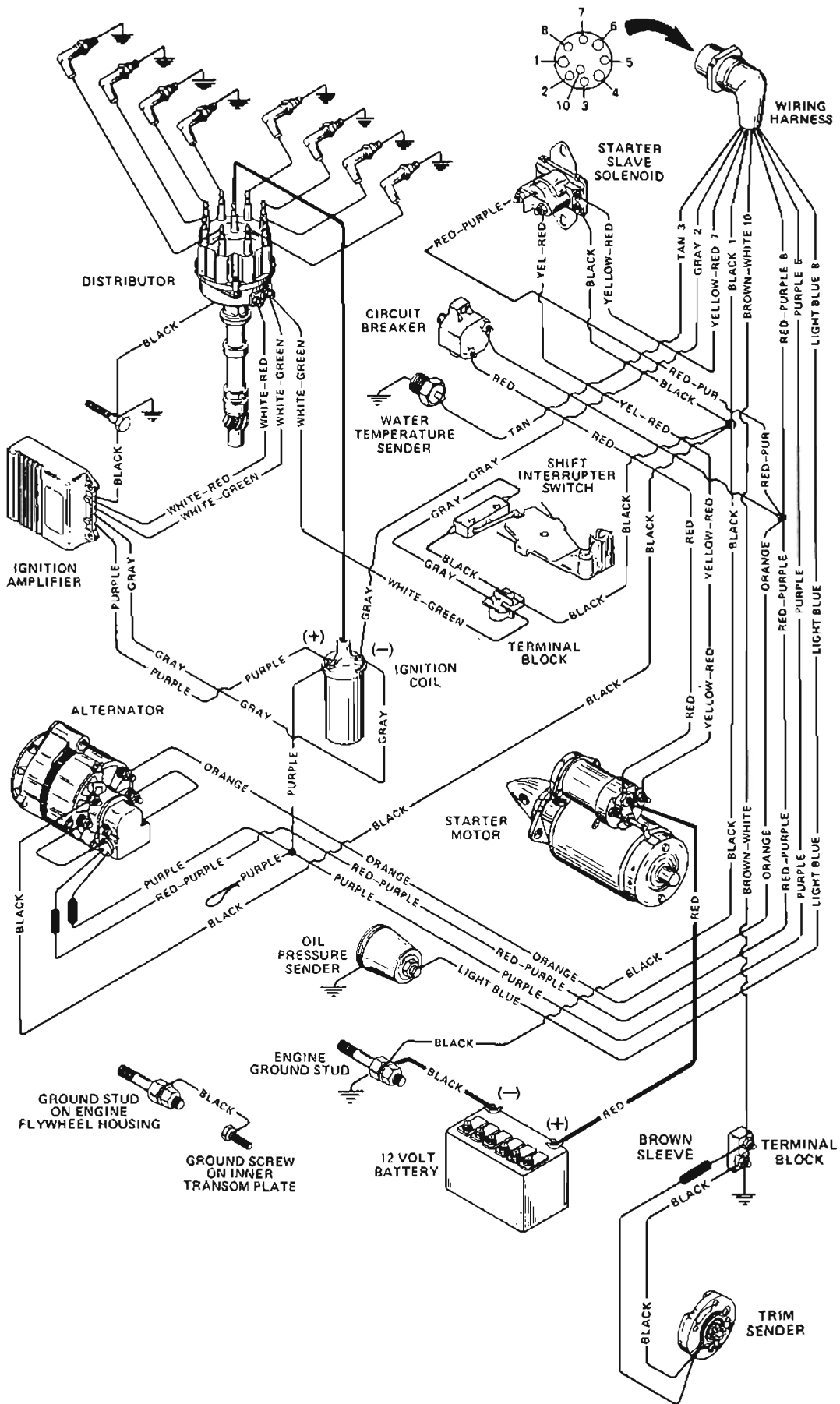
MCM 470R/488R without Fuse



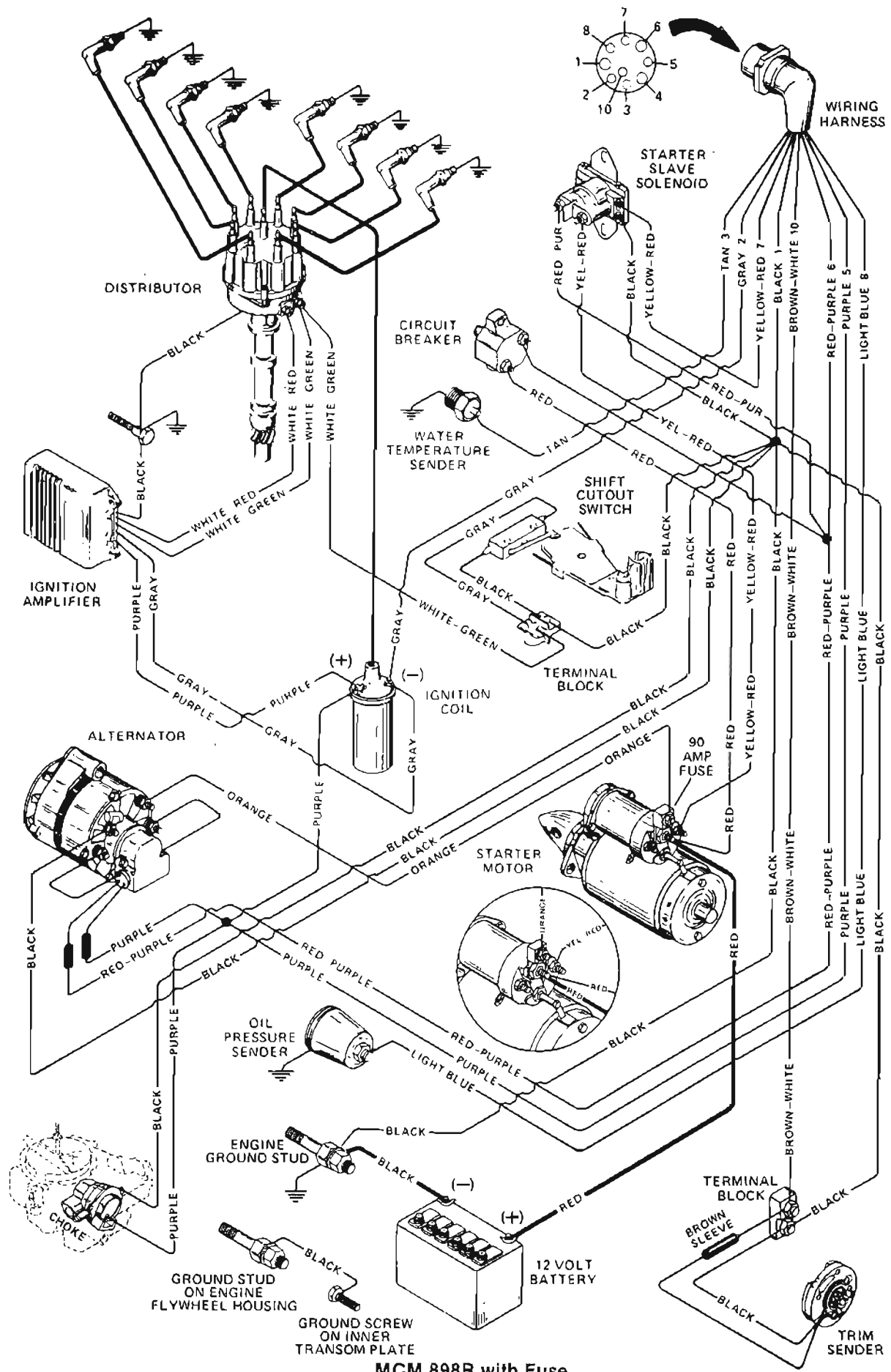
MCM 470R/488R with Fuse



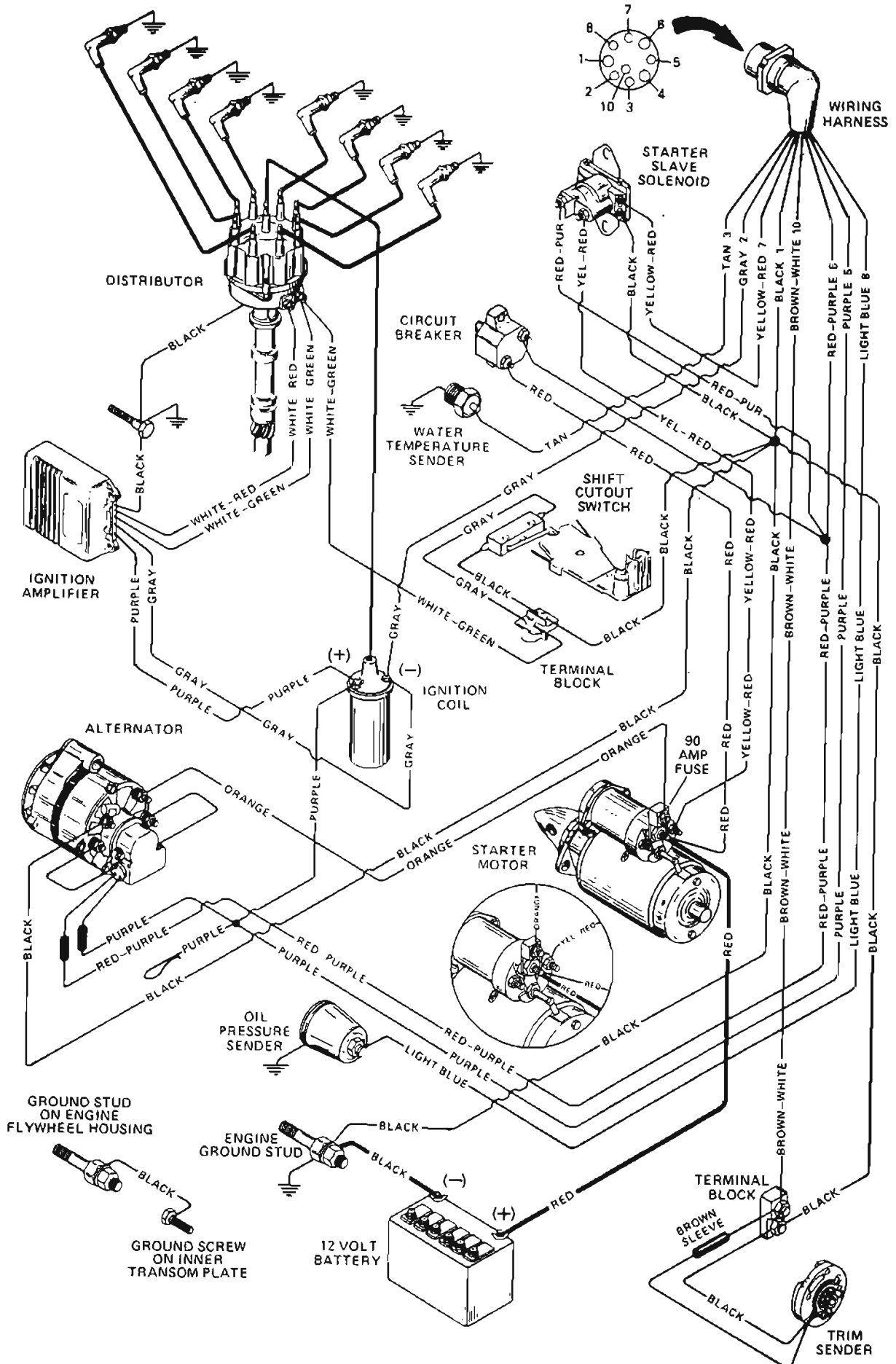
MCM 185R (V-6)



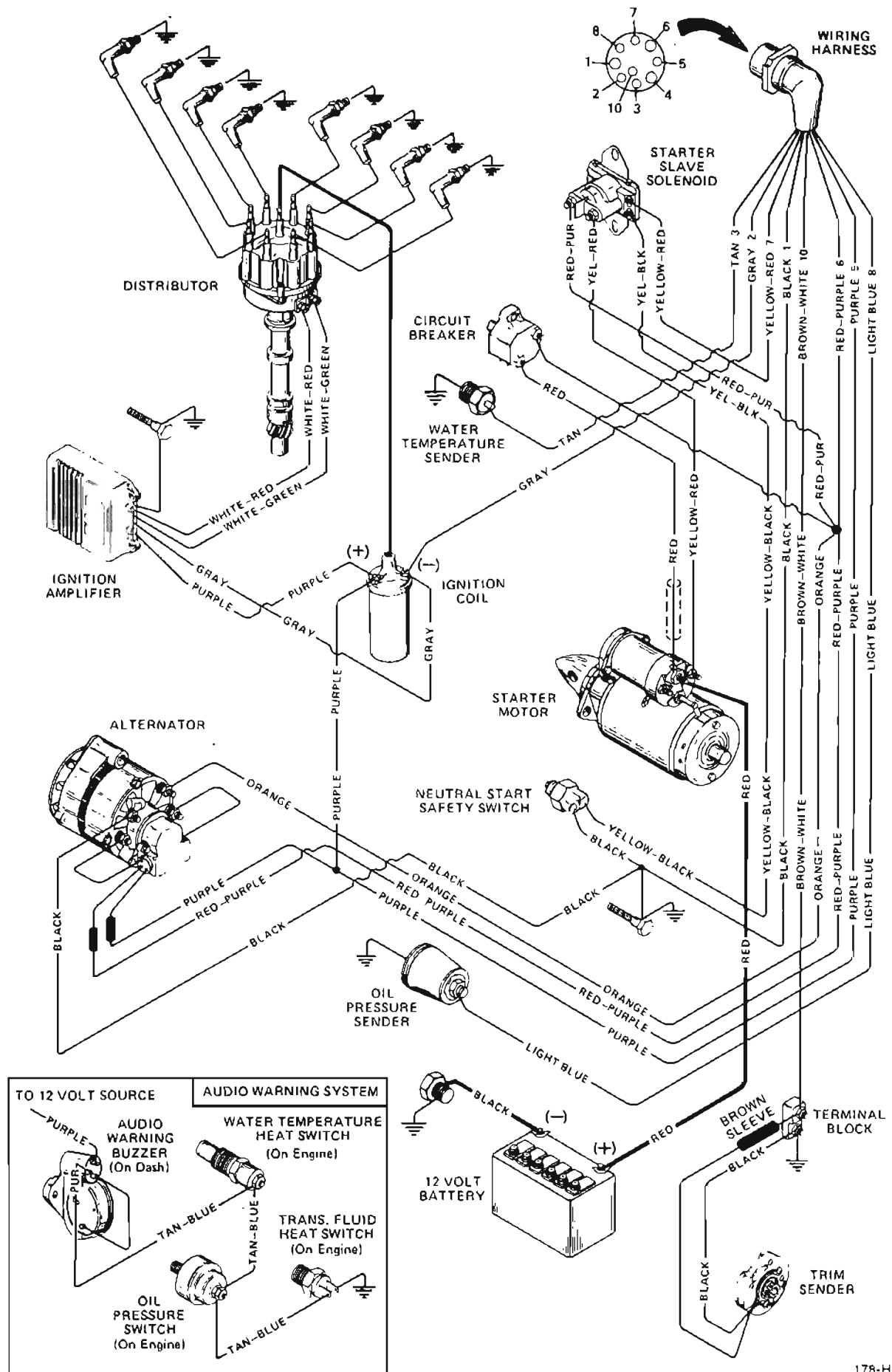
MCM 898R/228R/260R without Fuse



MCM 898R with Fuse

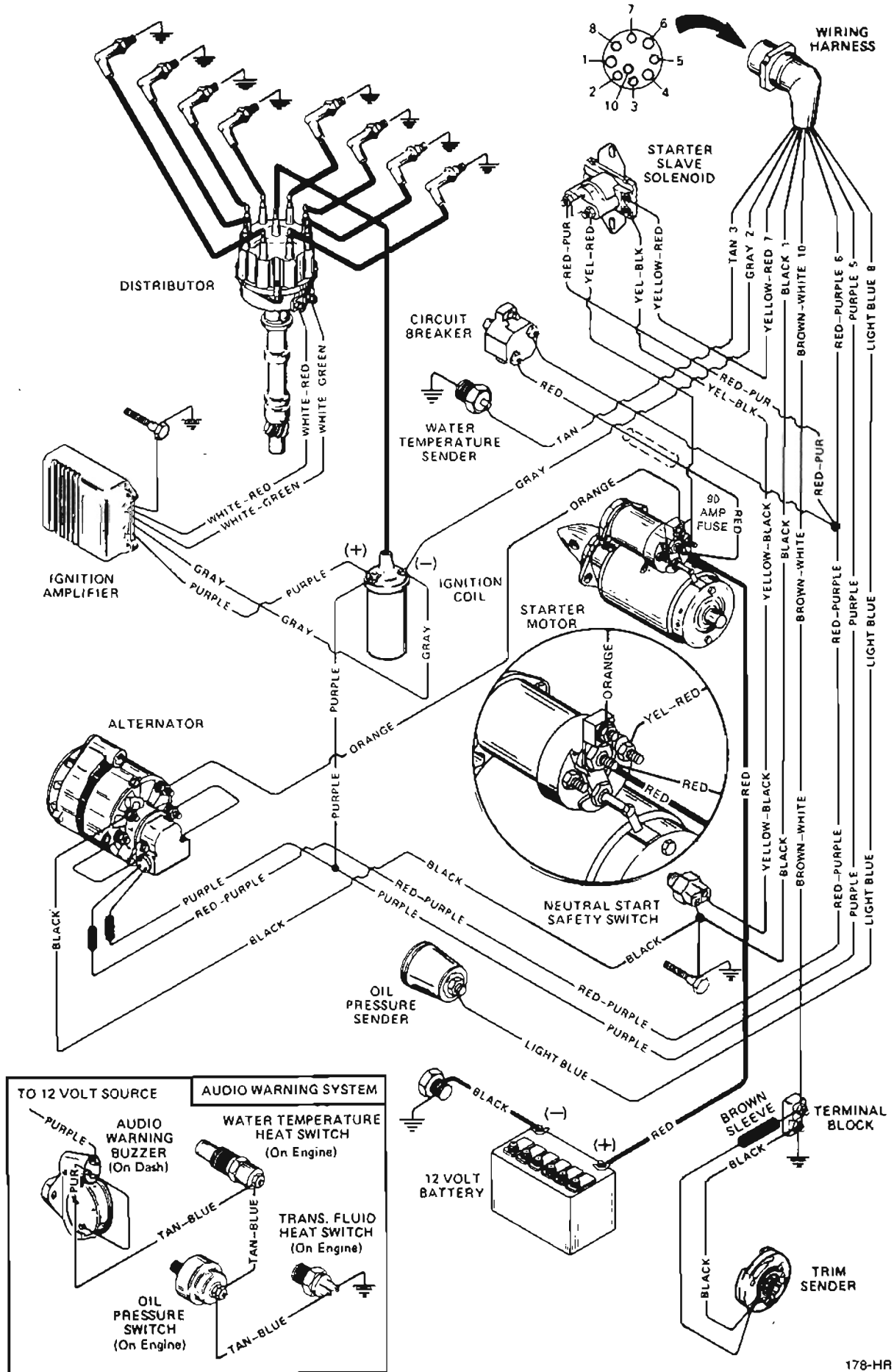


MCM 228R/260R with Fuse

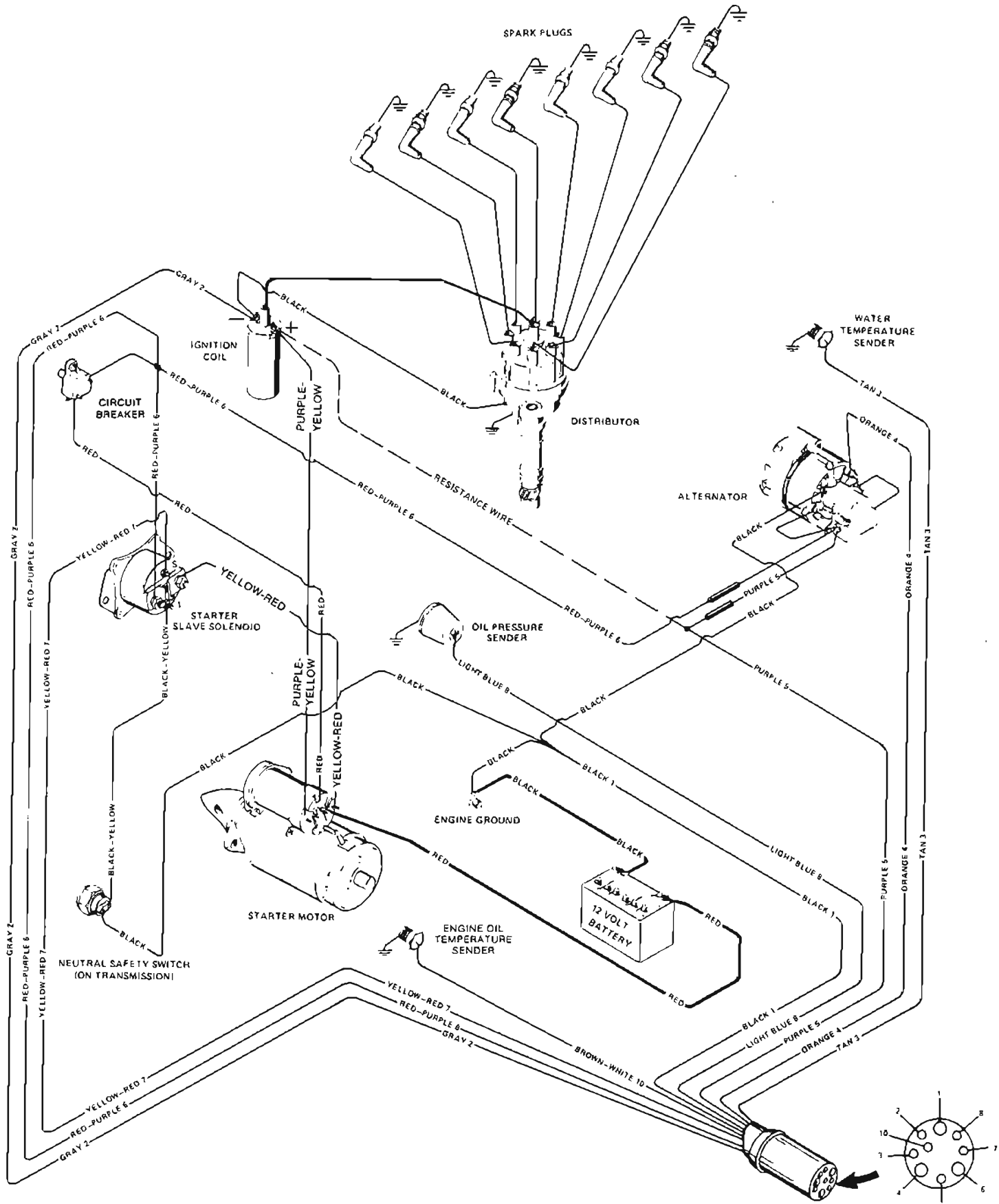


178-H

MCM 330 (B-W) without Fuse



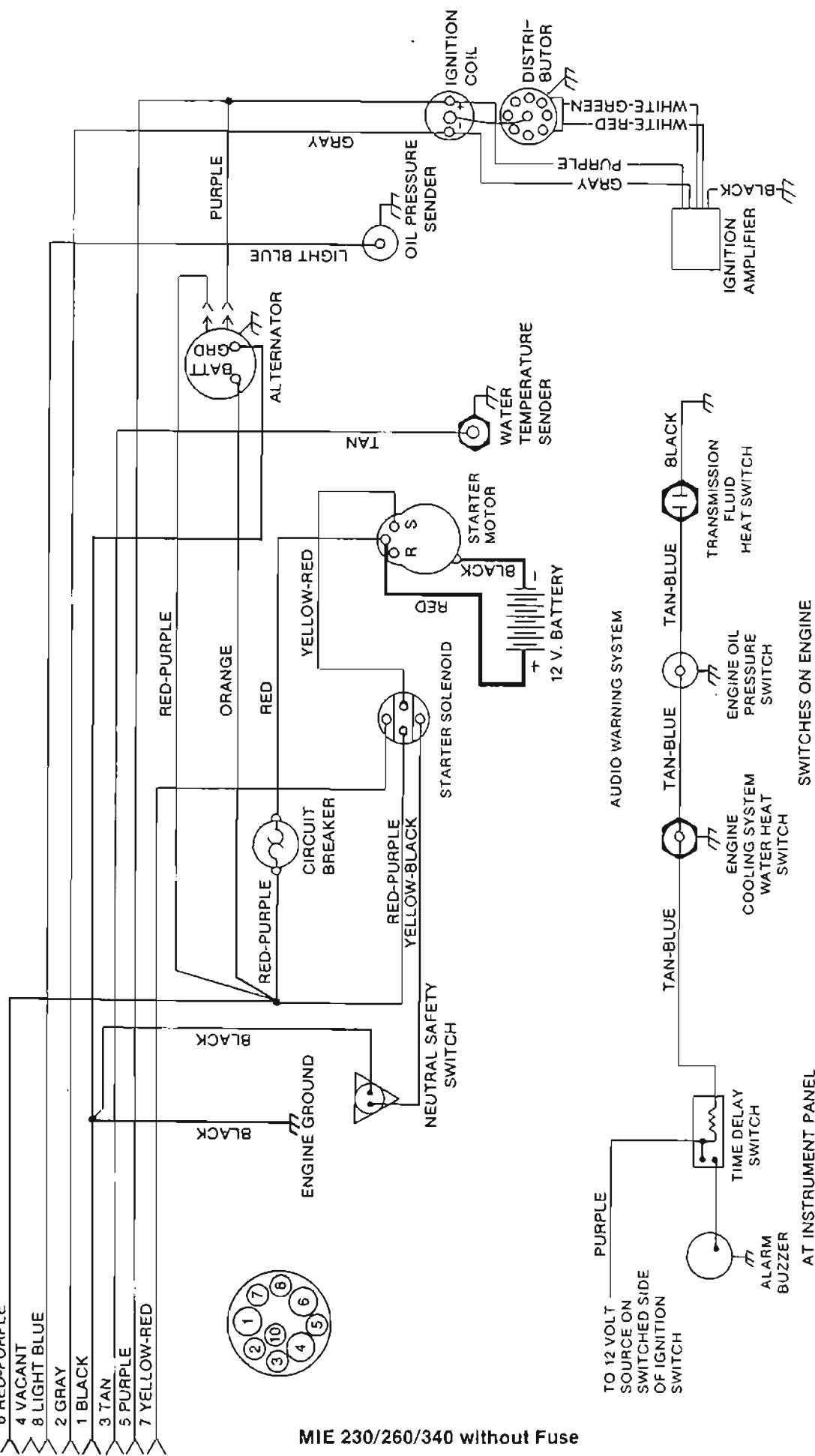
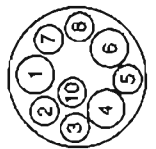
MCM 330 (B-W) with Fuse



MCM 370TRS

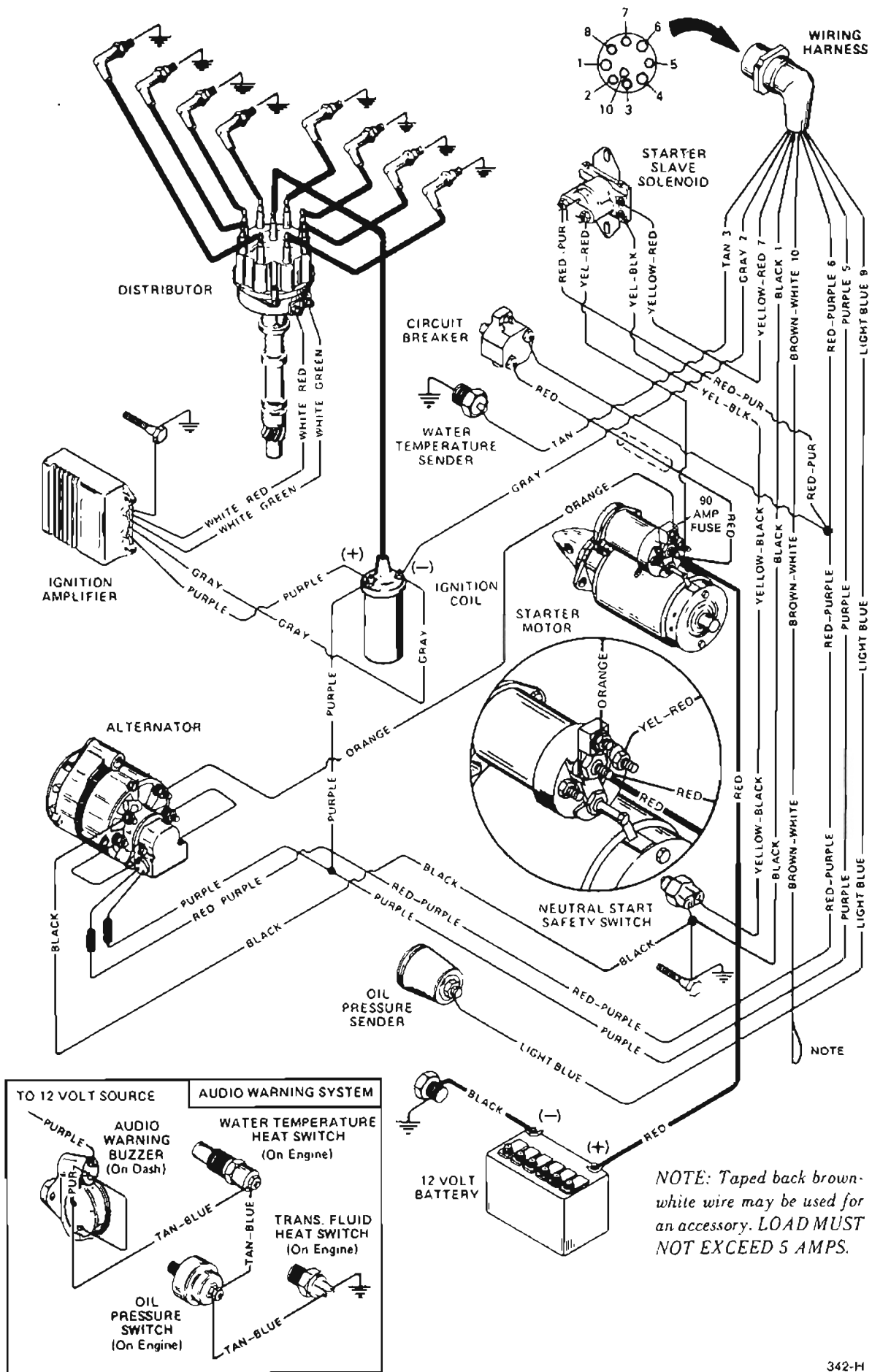
NOTE

- 10 BROWN-WHITE
- 6 RED-PURPLE
- 4 VACANT
- 8 LIGHT BLUE
- 2 GRAY
- 1 BLACK
- 3 TAN
- 5 PURPLE
- 7 YELLOW-RED



MIE 230/260/340 without Fuse

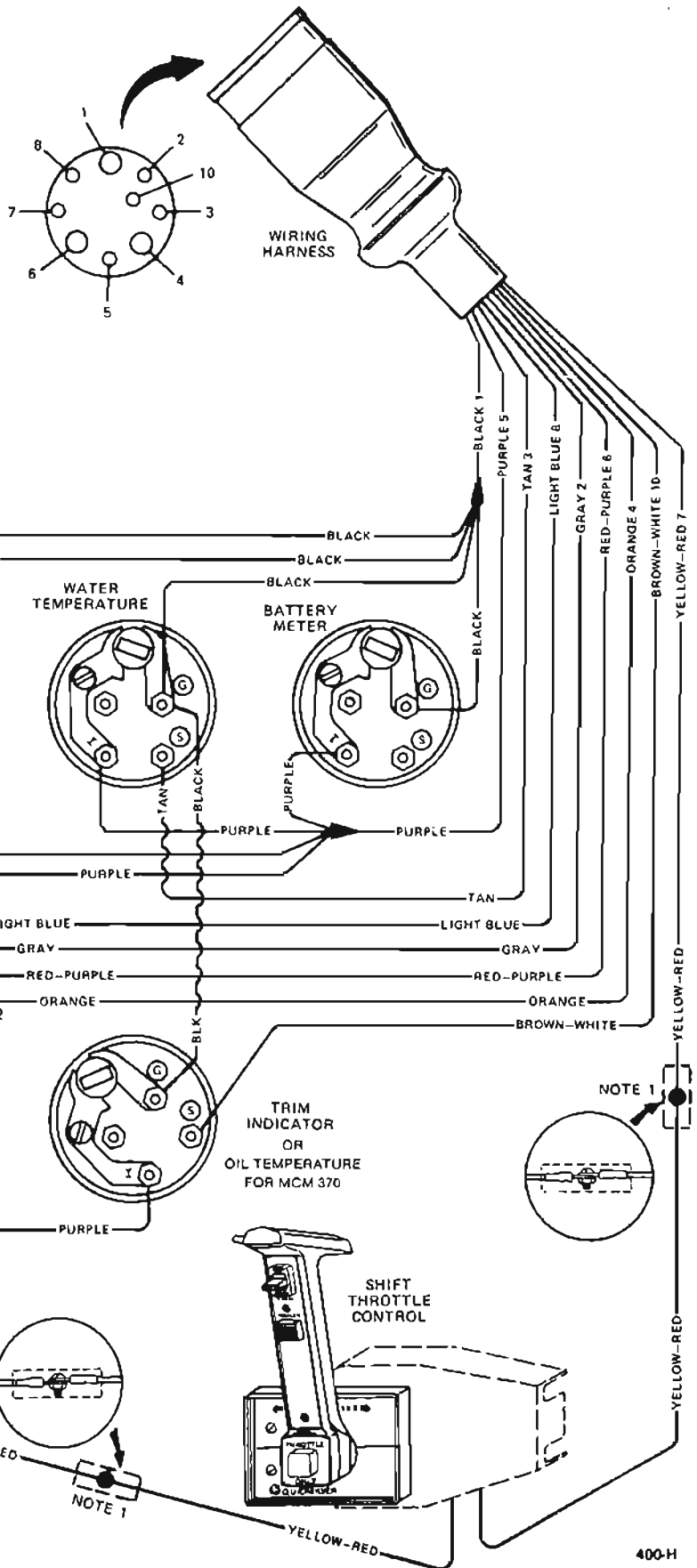
NOTE: Taped back brown-white wire may be used for an accessory. I.O.I.D MUST NOT EXCEED 5 AMPS.



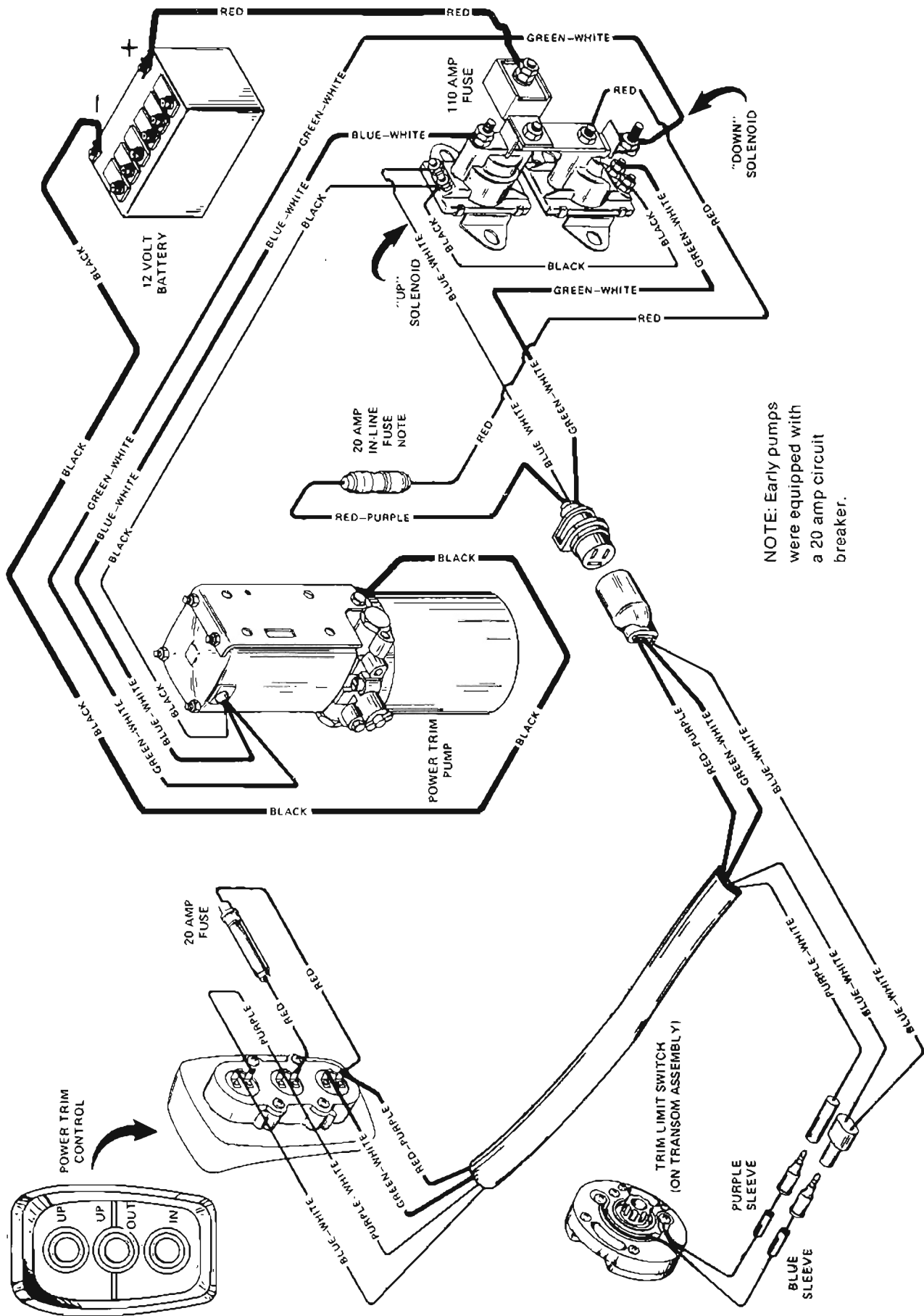
MIE 230/260/340 with Fuse

NOTE 1: Connect Wires Together with Screw and Hex Nut; Apply Liquid Neoprene to Connection and Slide Rubber Sleeve over Connection.

NOTE 2: Power for a Fused Accessory Panel May Be Taken from This Connection. Load Must Not Exceed 40 Amps. Panel Ground Wire MUST BE Connected to Instrument Terminal That Has an 8 Gauge Black (Ground) Harness Wire Connected to it.

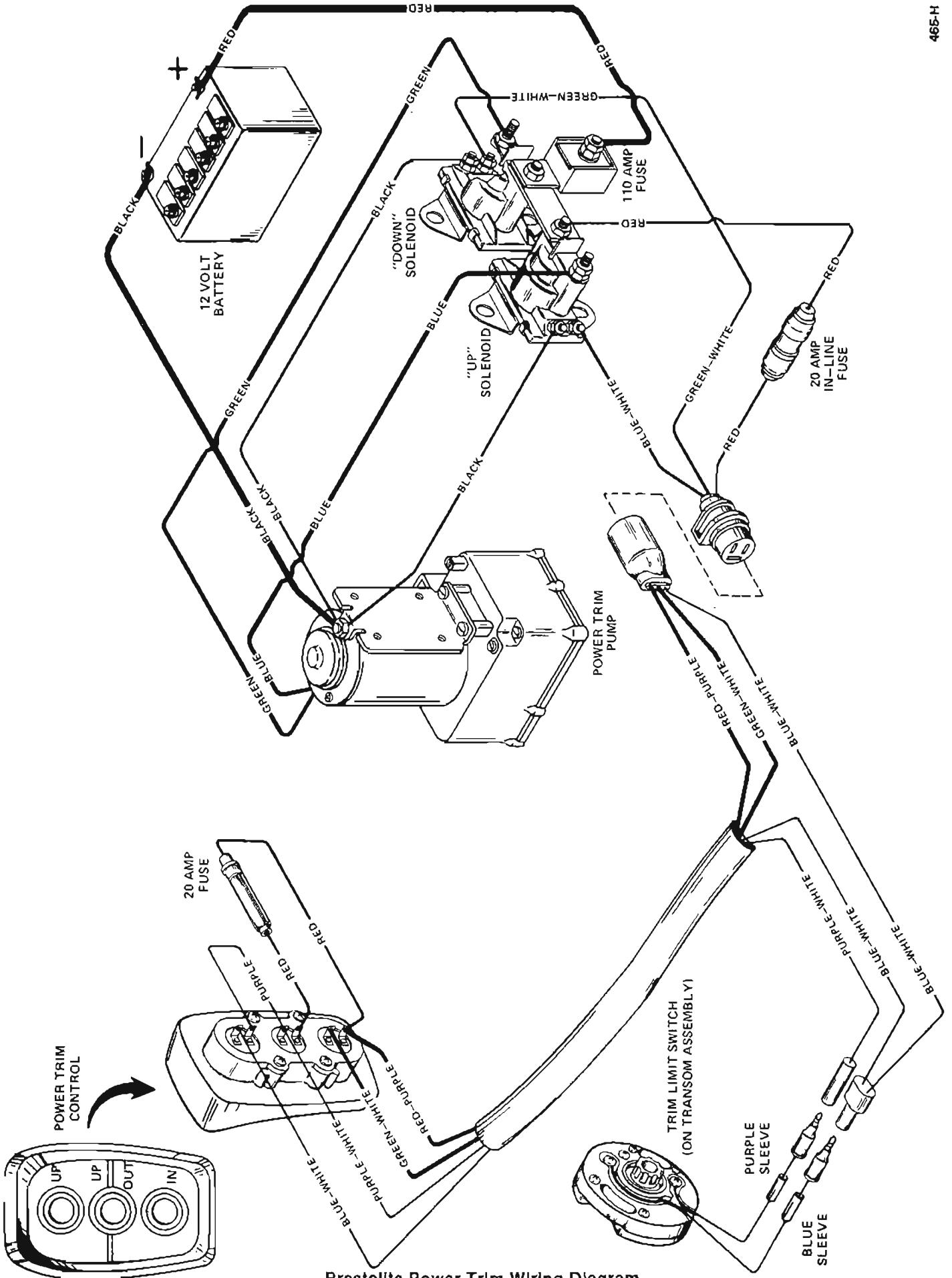


Instrumentation Wiring Diagram

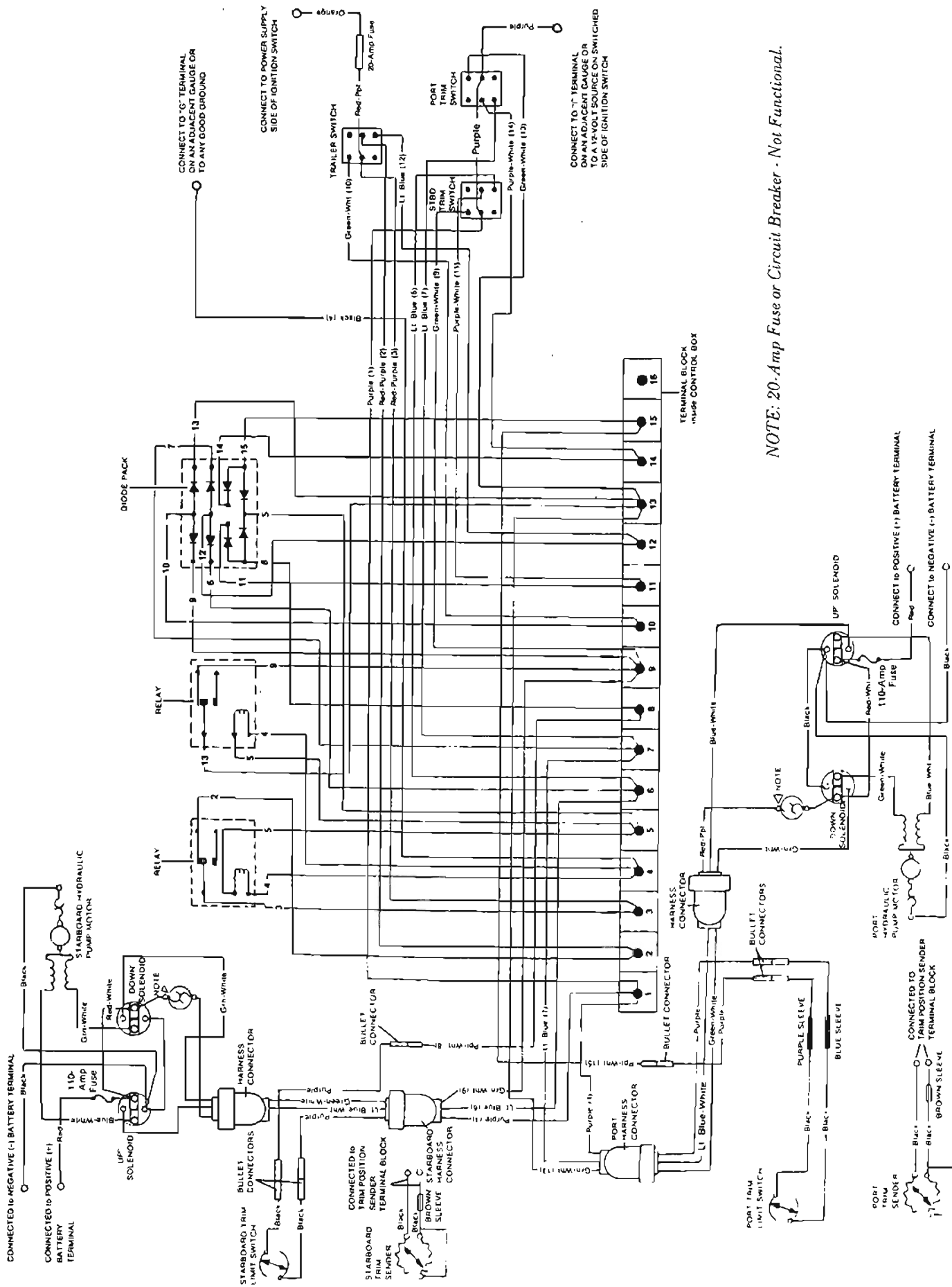


NOTE: Early pumps were equipped with a 20 amp circuit breaker.

Oildyne Power Trim Wiring Diagram



Prestolite Power Trim Wiring Diagram



Power Trim Wiring Diagram (with Dual Engine Power Trim Control)