

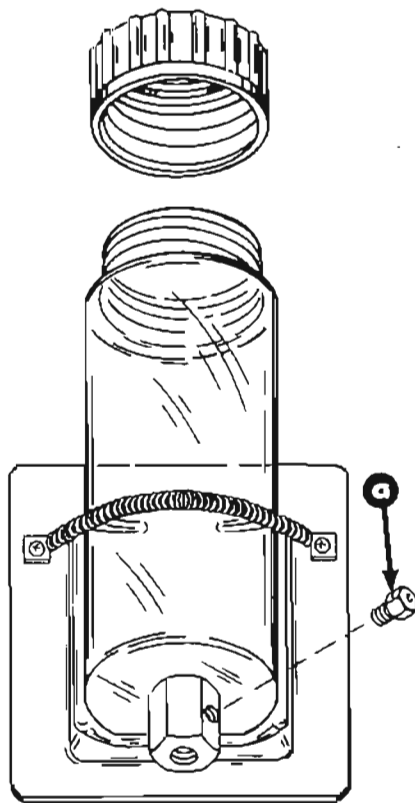
- A. Relief Valve Kit (21-67909A2)
- B. Epoxy Coated Gimbal Housing Water Tubes for MerCruiser I Models

CIRCULATE TO:
SERVICE MANAGER
PARTS MANAGER
MECHANICS
"Place in a Service
Bulletin Binder"

A. RELIEF VALVE KIT (21-67909A2)

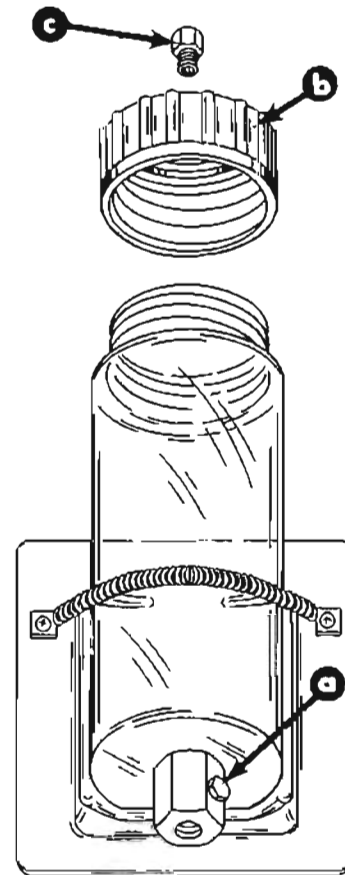
We have heard of some reports where the vacuum relief valve on MerCruiser I Oil Reservoir Kit have been leaking oil. (Figure 1) If you encounter one of these cases, install Relief Valve Kit (21-67909A2). This kit contains the necessary hardware to relocate the relief valve at the top of the reservoir. (Figure 2) If you order the old relief valve (21-67909A1), you will automatically receive this kit.

All new Oil Reservoir Kits will have the relief valve relocated at the top of the reservoir. The part number will be changed to 69622A7 to reflect this change.



a - Relief Valve

Figure 1. Oil Reservoir Kit



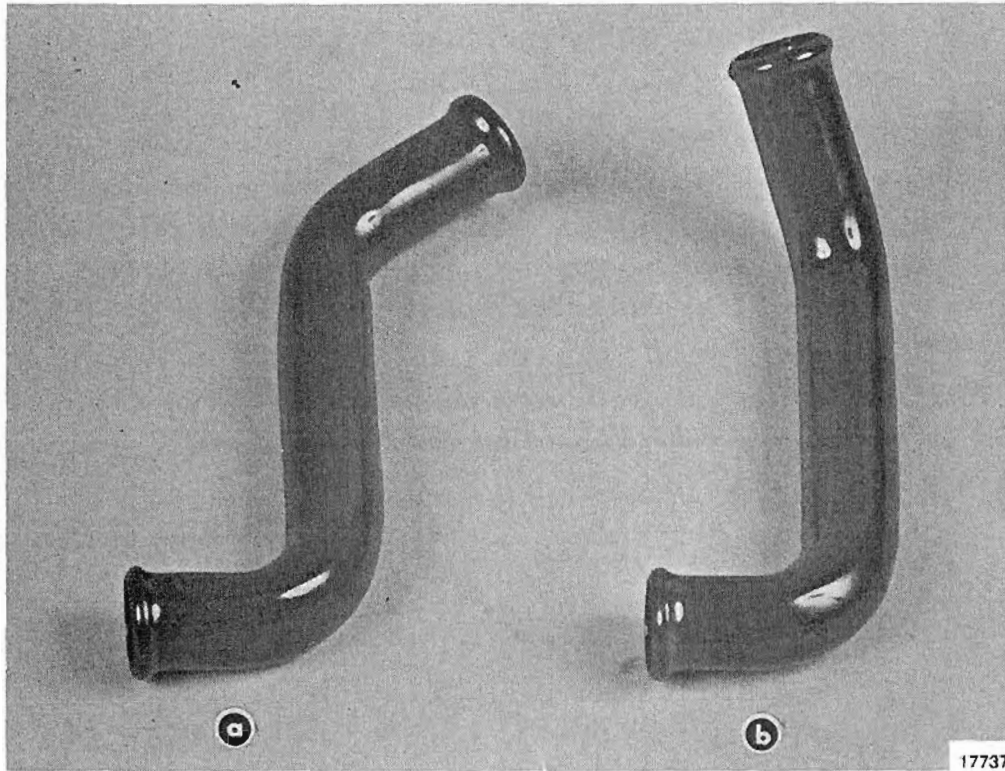
a - Pipe Plug
b - Cover
c - Relief Valve

Figure 2. Relief Valve Kit

B. EPOXY COATED GIMBAL HOUSING WATER TUBES FOR MERCUISER I MODELS

MerCruiser I gimbal housing water tubes (32-86907 and 32-86908) will now have an epoxy coating for improved corrosion resistance. The part number of these tubes will be superseded as follows: (Figure 3)

32-86907 Superseded to 32-86907A1
32-86908 Superseded to 32-86908--1



a - 32-86908--1
b - 32-86907A1

Figure 3.