

TO: SERVICE MANAGER TECHNICIANS
PARTS MANAGER

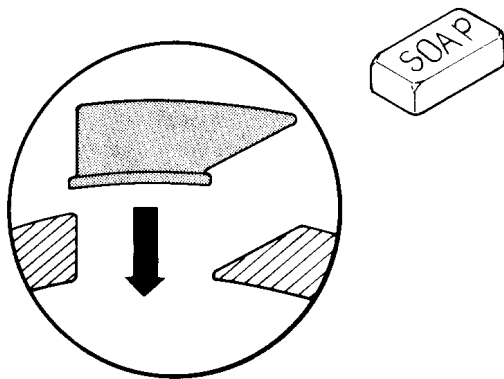
No. 88-15

Laser II Propeller Vent Plug Kit 19220A4

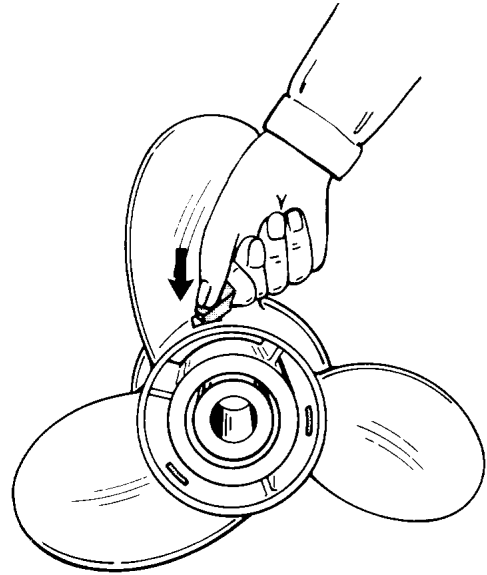
A vent plug kit is now available for use with the Laser II propeller. When the Laser II propeller is used on a MerCruiser application the vent plug kit is required. The kit may also be required on some outboard applications when the propeller has excess slip on acceleration or when the boat breaks loose coming up on plane. The following illustrations will demonstrate the proper installation of the plug kit.

IMPORTANT: Be sure that lip on plug snaps completely through slot in prop as shown in Step 3.

STEP 1



STEP 2



STEP 3

