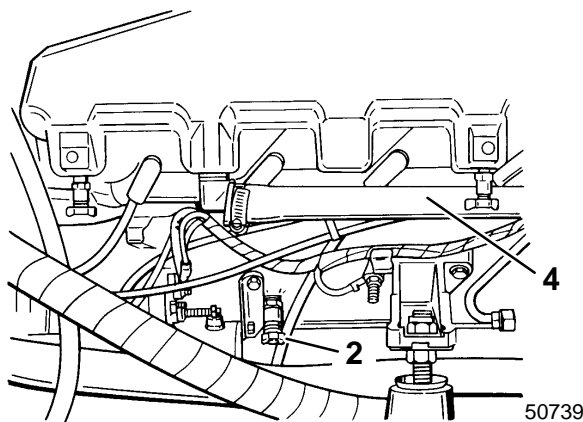


TO: SERVICE MANAGER  TECHNICIANS   
PARTS MANAGER

No. 89-30

## Elimination of Water Drain Petcocks in MCM V6 and MCM/MIE V8 Exhaust Manifolds and Change to Cylinder Block Drains



1990 V6/V8 Stern Drive and Inboard engines built after October 1, 1989 will not have exhaust manifold water drain petcocks. The drilled and tapped hole in the manifold (for the petcocks) has been eliminated.

The exhaust manifold will not suffer freeze damage if the water hose is removed from elbow in the bottom of the manifold. For cold weather storage, follow instructions in Operation & Maintenance Manual that comes with the product. Reprint of step and location of manifold hose follow.

4. Loosen hose clamps and remove hoses from bottom of exhaust manifolds (port and stbd).

Replacement manifolds will be made with drilled and tapped holes for petcocks. This hole has a threaded plug in it. If the manifold is used on an older engine, remove plug and install petcock from old manifold so that the manifold matches customers draining instructions as outlined in his manuals. If the manifold didn't have drilled and tapped holes (for petcock) use replacement manifold as is.

The cylinder block drains have been changed from petcocks to drain plugs also. A threaded adaptor is screwed into the cylinder block and then the drain plug is threaded into the adaptor.

## New MCM Engine Coupler Spline Grease - 92-816391A4

Production has started to use this improved engine coupler spline grease on all MerCruiser Stern Drive engines. Dealers can purchase this same grease by ordering the part number.

Quicksilver Engine Coupler  
Spline Grease 92-816391A4  
(4 - 14 oz. cartridges)

This grease is blue in color and is superior to other greases available for engine coupler splines. It is also suggested that when applying this grease to the coupler splines a long brush be used to apply it directly on the coupler splines.

**IMPORTANT: DO NOT use Quicksilver Engine Coupler Spline Grease in U-joints, Gimbal Bearings or any other grease zerks other than engine coupler splines.**