

TO: SERVICE MANAGER TECHNICIANS
PARTS MANAGER

No. 90-2

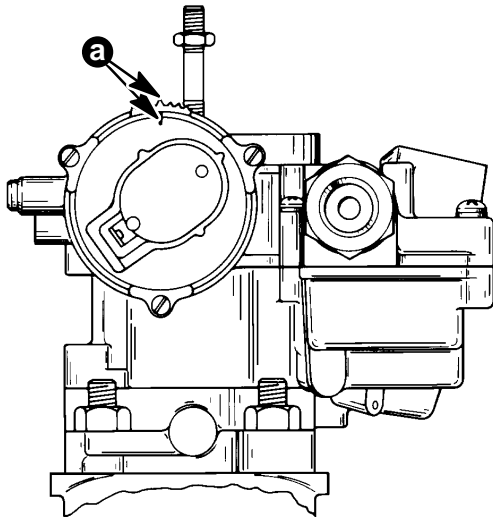
Merc Carbs Having Incorrect Choke Settings

It has been brought to MerCruiser's attention that the choke setting on some Merc Carbs is too rich affecting start and/or idle conditions of the engine.

When servicing the engine, or having complaints of hard starting and/or rough idle, the choke should be checked and adjusted correctly if necessary.

Choke Adjustments

Normal choke setting is such that scribed mark on cover is in line with long case mark on choke housing.



a - Marks on Choke Cover and Choke Housing

384-H

If choke adjustment is necessary:

1. Loosen 3 retaining screws.
2. Turn cover to align scribed mark on cover with long case mark on choke housing.
3. Tighten 3 retaining screws securely.

Spark Plug Wire Kit P/N 84-813720A9

Spark Plug Wire Kit P/N 84-813720A9 is used on all Ford and GM V-8 engines incorporating conventional ignitions. Because of the several different applications, this kit does not contain a secondary coil lead. When ordering the above mentioned kit it will be necessary to order a secondary coil wire for that engine application. Refer to the engines part list for the correct part number.