

TO: SERVICE MANAGER MECHANICS
PARTS MANAGER

No. 91-5

Revised 12-12-91

A. SEAWATER/FUEL PUMP MAINTENANCE

Models

MCM/MIE 454 and 502 CID Engines
New GM Generation V engines only

Identification

To help you identify the new GM Generation V engine, refer to Figure 1. The Gen V engine has the fuel pump mounted on the seawater pump. The previous big block engines had the fuel pump mounted to the cylinder block.

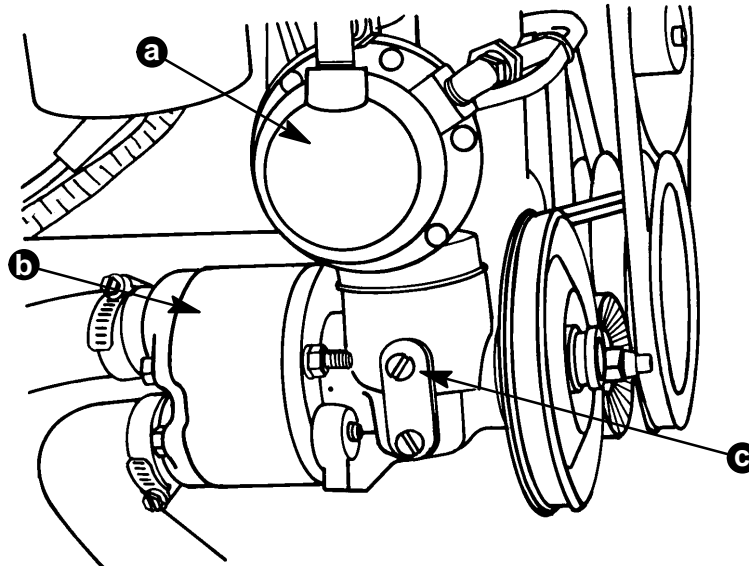
Maintenance

The lubrication change intervals has been changed.

Fuel pump cam lube change intervals: Not required.

Check cam lube level: At each engine oil change. Lube level should be at bottom of threads for vent screw (c).

Lubricant: Quicksilver High Performance Gear Lube, 92-816026A4.



70346

- a - Fuel Pump
- b - Seawater Pump
- c - Vent Screw

Figure 1.

Belt Tension

Figure 2 is for all L.H. rotation MCM and MIE engines. Please note that belt and pulley (a) are only used on MCM stern drive engines. Figure 3 is for all R.H. rotation MIE inboard engines.

1. Belt should depress 1/4 in. (6mm) at (b) location.
2. To change belt tension, adjust idler pulley (c).

⚠ CAUTION

DO NOT over-adjust idler pulley. Too much tension on belt will cause bearings in seawater pump to fail.

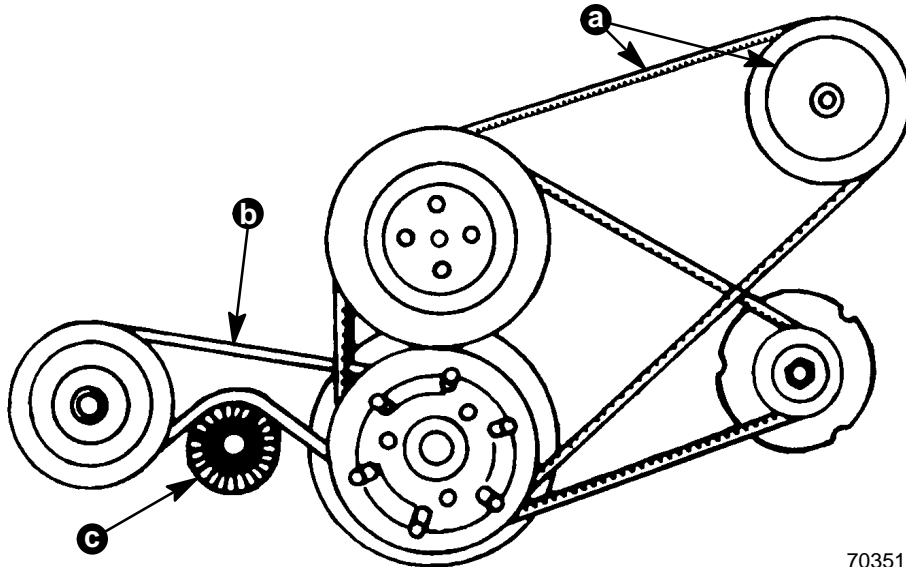


Figure 2.

70351

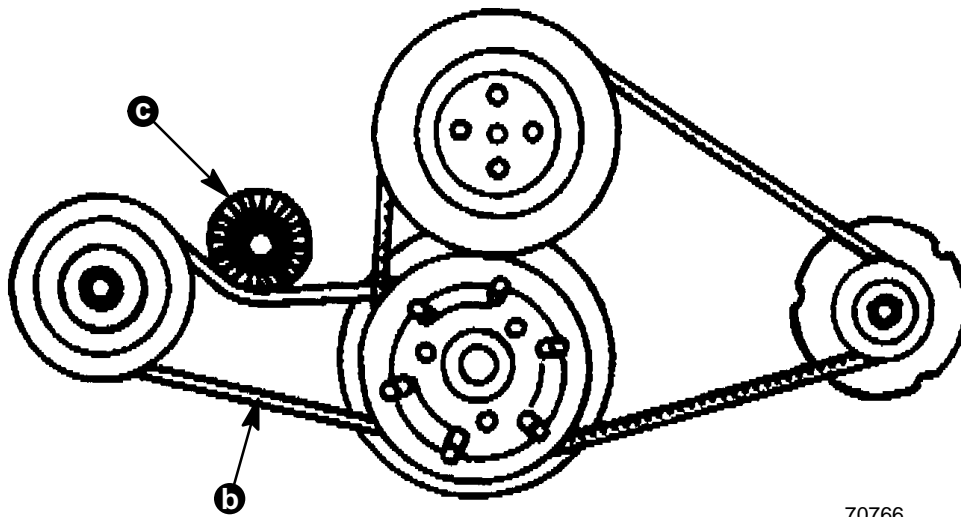


Figure 3.

70766