

TO: SERVICE MANAGER MECHANICS
PARTS MANAGER

No. 93-17

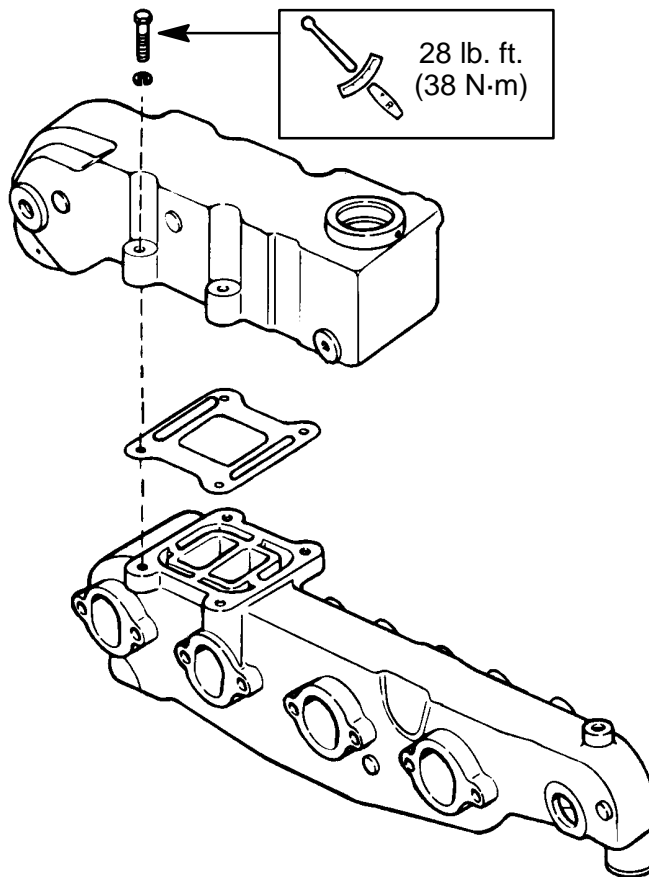
A. 224 CID (3.7L) EXHAUST ELBOW/RESERVOIR TORQUE AND RETORQUE

Model

MCM 470, 165, 170, 180, 190, 3.7L 3.7LX Engines.
Serial Number: All, that use an aluminum exhaust manifold.

Torque and Retorque

This is just a reminder to retorque the 4 bolts that hold the exhaust elbow/reservoir to the manifold anytime the elbow/reservoir is removed and reinstalled.



1. Torque 4 bolts to 28 lb. ft. (38 N·m).
2. Start engine and bring up to operating temperature.
3. After engine has cooled down, retorque 4 bolts to 28 lb. ft. (38 N·m).