

TO: SERVICE MANAGER TECHNICIANS
PARTS MANAGER

No. 95-10

MerCruiser MCM D7.3L/270 Diesel Stern Drive Replacement

Models

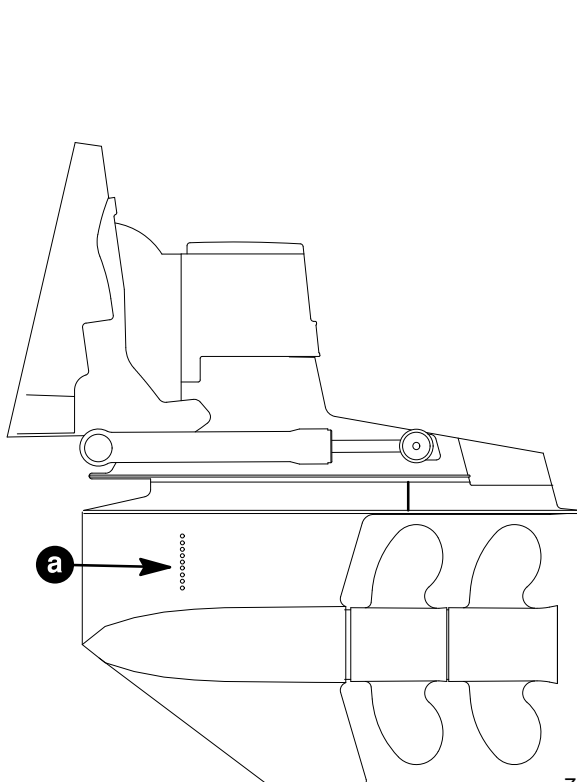
MCM D7.3L/270 MerCruiser Diesels

Situation

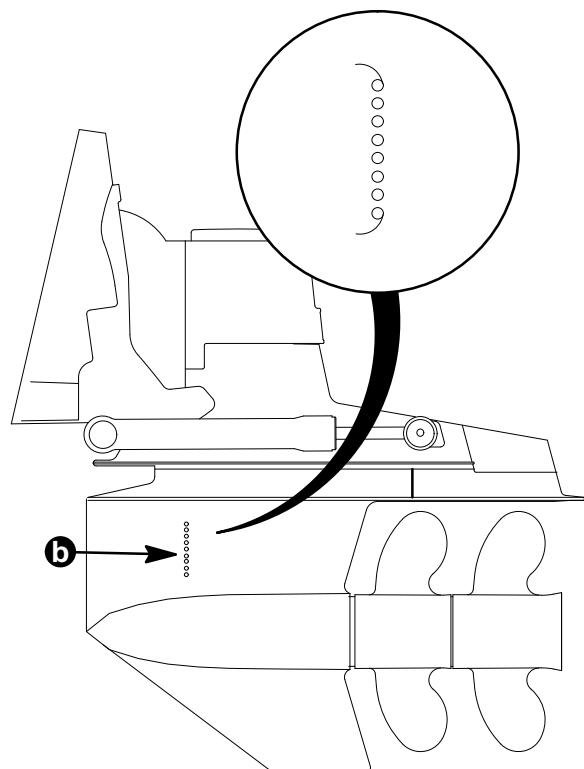
An overheat situation could develop if the D7.3L/270 diesel model engines are mated with a 1996 Bravo Three.

Recommendation

If replacing a 1994 or 1995 Bravo Three with a 1996 Bravo Three (all gear ratios) a thru hull water pick up kit (P/N 88845A2) is required to supply adequate water flow to the engine. The 1996 Bravo Three has an 8 hole water pick up, whereas the 1994 and 1995 Bravo Three had a 9 hole water pick up.



74716



74717

a - Water Intake - 9 holes 94-95 M.Y.

b - Water Intake - 8 holes 1996 M.Y.