

TO: SERVICE MANAGER TECHNICIANS
PARTS MANAGER

No. 95-21

Bearing Cup Installation In The Bravo One Bearing Carrier

Models

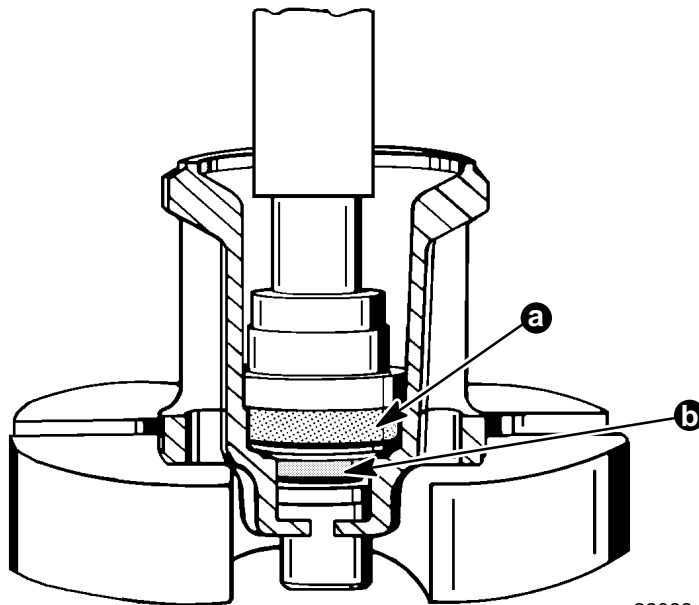
All Bravo One

Situation

Oil seals interfering with the bearing installation tool when installing the bearing cup in the bearing carrier.

Correction

When purchasing a bearing carrier from Quicksilver service stock, the oil seals will be installed in the carrier at a height that will interfere with the service bearing cup installation tool (Part Number 91-89865). You will need to press the bearing cup into the carrier housing until it seats. Place enough pressure on the mandrel tool (as shown in the illustration below) to move the top oil seal into the carrier and allow you to seat the bearing cup properly. This will not cause any problems with the oil seal. The oil seal is rubber coated and when it is moved by the tool the loc-tite will not be disturbed.



22088

a - Bearing
b - Oil Seal