

MCI /Alpha One / Alpha One Generation II Gear Case and Bearing Bore Differences

Models

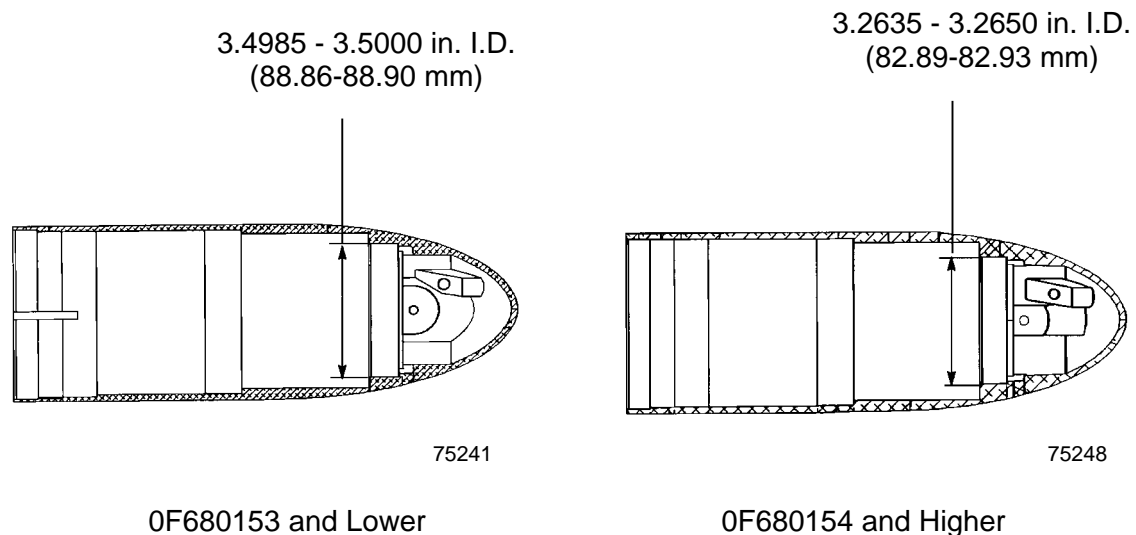
All

Description

Alpha One Generation II

1. Alpha One Generation II Standard Rotation

- a. The Alpha One Generation II with the new smaller forward gear bearing bore started with the 1996 Model Year with serial number 0F680000 & Higher.
- b. Some MCI and Alpha One gear case housings have been changed in the forward gear bearing bore, from 3.4985 - 3.5000 inches I.D. (88.86-88.90 mm) to the new smaller bore of 3.2635 - 3.2650 inches I.D. (82.89-82.93 mm). Drawings of the bearing bore dimensions are shown below for reference.



The tables on the following pages list items that have been affected by the change.

- c. The following is a supersession list to use when ordering the MCI / Alpha One or the Alpha One Generation II lower gear housing as a **complete assembly** for replacement of the original lower unit.

Gear Housing Complete Supersession Listing				
Models	Ratio	(Original) Gear Housing Assy Complete	Superseded by	Serial No. Range
120	1.98:1	1623-5356A20	1623-8951A43	4893635 and up
140	1.98:1	1623-5356A20	1623-8951A43	4893635 and up
165	1.65:1	1623-5356A20	1623-8951A43	4890460 and up
470	1.84:1	1623-5356A20	1623-8951A43	4893835 and up
485	1.84:1	1623-5356A20	1623-8951A43	4893835 and up
225 - S	1.50:1	1623-5356A3	1623-8951A43	3856268 thru 4200499
228	1.50:1	1623-5356A3	1623-8951A43	4782330 and up
228	1.50:1	1623-5356A20	1623-8951A43	4898730 and up
233	1.32:1	1623-8951A2	1623-8951A43	4200500 and up
250	1.32:1	1623-5356A3	1623-8951A43	4791300 and up
250	1.32:1	1623-8951A2	1623-8951A43	4791300 and up
260	1.50:1	1623-5356A20	1623-8951A43	4898730 and up
888	1.50:1	1623-4110A6	1623-8951A43	3784374 and below
888	1.50:1	1623-4110A13	1623-8951A43	3784375 thru 3909577
898	1.50:1	1623-8951A2	1623-8951A43	4782330 and up
898	1.50:1	1623-5356A20	1623-8951A43	4898730 and up
470	1.84:1	1623-5356A3	1623-8951A43	4208730 and up
470	1.84:1	1623-8951A2	1623-8951A43	4208730 and up
R	ALL	1623-5356A20	1623-8951A43	6225577 and up
MR	ALL	1623-5356A20	1623-8951A43	6225577 and up
Alpha One	ALL	1623-8951A23	1623-8951A43	6225577 and up
Alpha One	ALL	1623-8951A14	1623-8951A43	6225577 and up
Alpha One Gen II	All STD ROT.	1623-815822A5	1623-815822A32	0D469859 thru 0F679999
Alpha One Gen II	ALL Counter ROT.	1623-815822A7	1623-815822A33	0D469859 thru 0F679999
1623-815822A30		Gen II Style	No Load Pin in the end of the Drive Shaft	
1623-8951A43		Alpha Style	No Load Pin in the end of the Drive Shaft	
1623-5356A20		MC/I Style	With Load Pin in the end of the Drive Shaft	

- d. The following is a supersession list to use when ordering the **Gear Housing Only** for replacement of the original lower unit.

Gear Housing Only Supersession List				
Models	Ratio	(Original) Gear Housing Only	Superseded by	Serial No. Range
120	1.98:1	1623-5356A4	None Required	4893635 and up
140	1.98:1	1623-5356A4	None Required	4893635 and up
165	1.65:1	1623-5356A4	None Required	4890460 and up
470	1.84:1	1623-5356A4	None Required	4893835 and up
470	1.84:1	1623-5356A4	None Required	4208730 and up
470	1.84:1	1623-5356A4	None Required	4208730 and up
485	1.84:1	1623-5356A4	None Required	4893835 and up
225 - S	1.50:1	1623-5356A4	None Required	3856268 thru 4200499
228	1.50:1	1623-5356A4	None Required	4782330 and up
228	1.50:1	1623-5356A4	None Required	4898730 and up
233	1.32:1	1623-5356A4	None Required	4200500 and up
250	1.32:1	1623-5356A4	None Required	4791300 and up
250	1.32:1	1623-5356A4	None Required	4791300 and up
260	1.50:1	1623-5356A4	None Required	4898730 and up
888	1.50:1	1623-4110A3	1623-5356A4	3784374 and below
888	1.50:1	1623-4110A3	1623-5356A4	3784375 thru 3909577
888	1.50:1	1623-5356A4	None Required	3909578 and up
898	1.50:1	1623-5356A4	None Required	4782330 and up
898	1.50:1	1623-5356A4	None Required	4898730 and up
R	ALL	1623-5356A4	None Required	6225577 and up
MR	ALL	1623-8951A15	1623-8951A37	6225577 and up
Alpha One	ALL	1623-8951A27 (Black)	1623-8951A37	6225577 and up
Alpha One	ALL	1623-8951A14 (Oyster)	1623-8951A37	6225577 and up
Alpha One Gen II	ALL STD ROT.	1623-815822A6	1623-815822A30	0D469859 thru 0F679999
Alpha One Gen II	ALL Counter ROT.	1623-815822A6	1623-815822A28	0D469859 thru 0F679999
Alpha One Gen II	ALL STD ROT.	1623-815822A36	None Required	0F680000 and up
Alpha One Gen II	ALL Counter ROT.	1623-815822A36	None Required	0F680000 and up

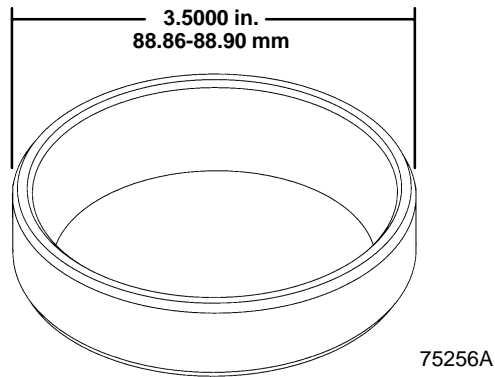
- e. Before ordering a replacement **Gear Housing Only** for any of the previously listed units, you will need to look in the housing, at the cavity in front of the trim tab screw hole, for the casting number.
- f. Order the appropriate housing number after determining the casting number.

GEAR HOUSING ONLY	
If Casting Number:	Order Housing Number:
1623-8950C 2	1623-8951A37
1623-8266C	1623-5356A4
1623-815822C 3	1623-815822A30

All of the numbers listed above are on the parts Micro-Fiche card.

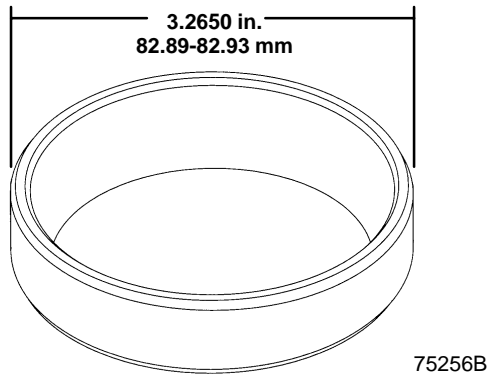
- g. The parts and numbers required to replace the 17/28 gears in a 1995 and previous Alpha One Gen II Right Hand Rotation lower unit, with the 13/21 gears are listed. Included is the 3.4985 - 3.5000 inch O.D. (88.86-88.90 mm) bearing to fit the forward gear bearing bore.

43-828072A2 Gear Set includes = Forward gear - 43-828072
 Pinion gear - 43-828071
 Reverse gear - 43-828073
 Forward gear bearing - 31-828437A2



Bearing Cup 31-828437A2

- h. The 1623-815822A6 Gear Housing Only supersedes to 1623-815822A30. The A30 housing includes one 31-828439A2 forward gear bearing that allows you to install the 17/28 gears and the 14/28 gears into the new housing which has a 3.2635 - 3.2650 inch O.D. (82.89-82.93 mm) forward gear bearing bore.



Bearing Cup 31-828439A2

When Ordering Gear Housing:	Supersedes To:	Current Part Number:
1623-8951A27 (3.4895-3.5000 in. O.D.) (88.86-88.90 mm) Fwd. Gr. Brg.	➔	1623-8951A37 (3.2635-3.2650 in. O.D.) (82.89-82.93 mm) Fwd. Gr. Brg.
1623-815822A6 (3.4895-3.5000 in. O.D.) (88.86-88.90 mm) Fwd. Gr. Brg.	➔	1623-815822A30 (3.2635-3.2650 in. O.D.) (82.89-82.93 mm) Fwd. Gr. Brg.

When Ordering Gear Housing:	Along With:	Gear Set	Order	Forward Gear Bearing
1623-8951A27	➔	43-828072A2 (13/21)	➔	31-30894A1 (3.2635 - 3.2650 in. OD.) (82.89-82.93 mm)
1623-815822A6	➔	43-828072A2	➔	31-30894A1 (3.2635 - 3.2650 in. OD.) (82.89-82.93 mm)
1623-8951A27	➔	43-828072A3 (13/21)		31-30894A1 (3.2635 - 3.2650 in. OD.) (82.89-82.93 mm) (Included with Gear Set)
1623-815822A6	➔	43-828072A3 (13/21)		31-30894A1 (3.2635 - 3.2650 in. OD.) (82.89-82.93 mm) (Included with Gear Set)

Housing Type	Gear Tooth Count	Bearing Number	Bearing Cup O.D.	Casting No.
Current Housing	13/21	31-30894A1	3.2635-3.2650 (82.80-82.93 mm)	1623-8950C2
1995 and Prior Housing	13/21	31-828437A2	3.4895-3.5000 (88.86-88.60 mm)	1623-8266C
Old Gears New Housing	14/28	31-828439A2	3.2635-3.2650 (82.80-82.93 mm)	1623-815822C3
	17/28			