

TO: SERVICE MANAGER TECHNICIANS
PARTS MANAGER

No. 98-2

Operating a Bravo One Performance Drive with Low Water Inlets in shallow water

Models

Any Model using the low water Inlets style gear case.

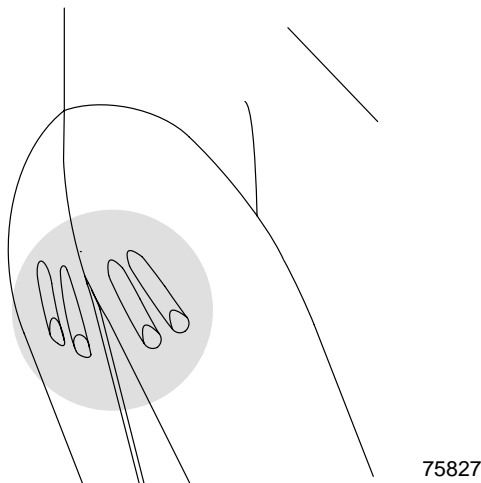
Situation

CAUTION

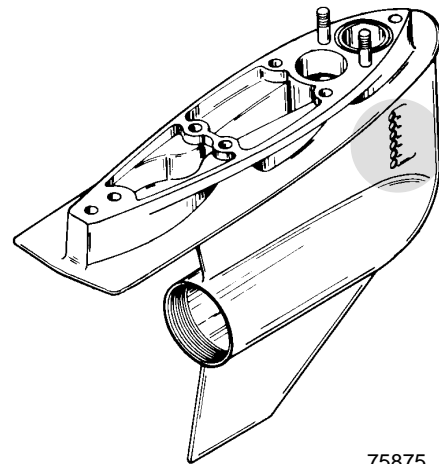
Serious engine damage could occur by failing to follow these instructions. Sand, silt or mud could be sucked into the water inlets restricting or shutting off the water supply to the engine.

Extreme care should be exercised when operating a boat equipped with a performance Low Water Inlet Drive while maneuvering in shallow water. Also, avoid beaching the boat with the engines running.

Please inform your customers on the proper operation of boats that are equipped with Bravo Drives with Low Water Inlet style lower units.



Low Water Inlets Gear case



Standard Side Water Inlets Gear case