

Circulate to: Sales Manager Accounting Service Manager Technician Parts Manager

Replacing an Existing HH or IH Pod Drive with a Zeus 3000 Series Pod (KP) Drive

NOTICE

Revised September 2017. This bulletin supersedes the previous bulletin number 2009-70R1 November 2009.

Models Affected

Models Covered	Serial Number
Zeus pod drives with model numbers ending in HH or IH	All

Scope

Worldwide

Situation

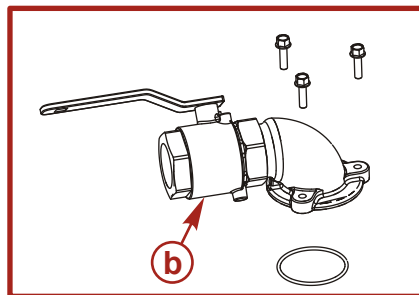
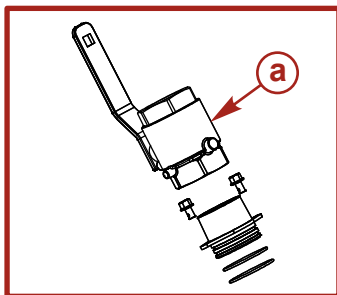
Zeus pod drives with model numbers ending in HH or IH are no longer in production. KP model pods are a direct replacement when both pods are replaced. When replacement of single Zeus HH or IH model pod is necessary, a Zeus 3000 series (KP) pod can be installed with the remaining HH or IH pod. Refer to the **Zeus Model Service Replacement Table** at the end of this bulletin.

For questions pertaining to this bulletin contact Mercury Technical Service at 920-929-5884. Outside the United States and Canada: contact your local Mercury Marine International office.

Correction

- The seacock on the 3000 Series pod drive is not interchangeable with earlier HH and IH model seacocks. The new seacock must be ordered from Mercury Marine and must be installed after the drive is in the boat and the clamp ring is installed. The new seacock mounts to either the port or starboard side of the drive. The part numbers for the seacocks are:

Description	Part Number
51 mm (2 in.) seacock	879150A63
64 mm (2-1/2 in.) seacock	879150A64



a - Seacock—HH and IH
b - Seacock—3000 Series

42703

THE INFORMATION IN THIS DOCUMENT IS CONFIDENTIAL AND PROTECTED BY COPYRIGHT AND IS THE PROPERTY OF MERCURY MARINE.

This document is provided for the sole and exclusive use of the original recipient as prescribed by Mercury Marine and may not be distributed or copied, digitally or otherwise, without the prior written consent of Mercury Marine.

Replacing an Existing HH or IH Pod Drive with a Zeus 3000 Series Pod (KP) Drive

- The drive cover (shroud) from an IH model will fit on a 3000 Series pod drive model, except those models equipped with a cold water cooler. The IH cover blocks some of the service access points on the 3000 Series pod drive. Changing the cover to a new 3000 Series cover will provide proper service access and will fit models with a cold water cooler. The new covers can be ordered from Mercury Marine.

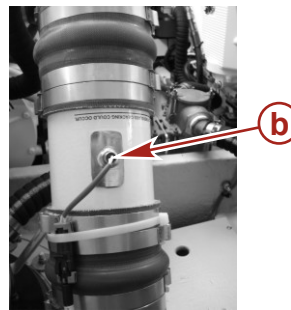
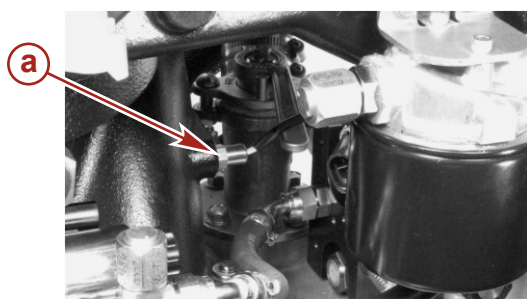
Description	Part Number
Zeus 3000 Series pod drive cover kit	879150A70



42699

3000 Series Pod drive cover changes

- The exhaust temperature sensor is not mounted on the 3000 Series pod drive. The exhaust temperature sensor on the HH and IH pod has been relocated to the engine exhaust. Contact Mercury Diesel Technical Service if the exhaust temperature sensor is mounted on the steering actuator of an existing pod.

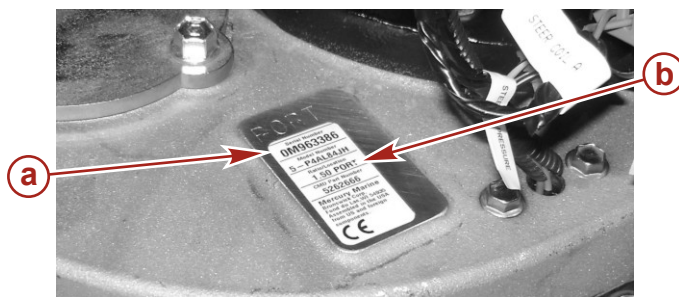


Exhaust temperature sensor relocation

- a** - Drive mounted—HH and IH
- b** - Engine mounted—3000 Series pod

42700

- Vessels originally equipped with HH or IH model drives require the latest software reflash found in CDS G3. Refer to Mercury Diesel Service Bulletin **2013-66R2** for reflash instructions.
- The procedure for installing the pod clamp ring has changed. Perfect Seal is required for the installation of the clamp rings and the clamp ring screws instead of Special Lubricant 101. An instruction sheet noting proper use of the Perfect Seal is included with the new clamp ring kit.
- The gear ratio printed on the 3000 Series pod drive identification decal is rounded off to the second decimal place; for example, 2.06, 1.79, 1.95. On the HH and IH model decal, the gear ratio was rounded to the first decimal place; for example, 2.1. The actual gear ratio has not changed.



Identification decal on the 3000 Series pod drive

- a** - Decal
- b** - Gear ratio

42702

When installing a Zeus 3000 Series (KP) pod alongside an HH or IH pod, consider the following information:

THE INFORMATION IN THIS DOCUMENT IS CONFIDENTIAL AND PROTECTED BY COPYRIGHT AND IS THE PROPERTY OF MERCURY MARINE.

This document is provided for the sole and exclusive use of the original recipient as prescribed by Mercury Marine and may not be distributed or copied, digitally or otherwise, without the prior written consent of Mercury Marine.

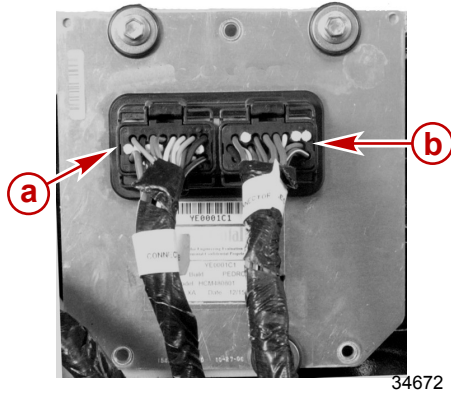
Zeus IH and HH pods can be replaced with the new KP pods. However, both pods must have valid software level combinations. If both IH and HH pods are being replaced, no special actions are required to make them compatible with the vessel. However, if only one pod is replaced with a KP model pod then: you must replace the TVM and five hydraulic transducers from the new KP pod with a TVM and the hydraulic transducers listed below.

Description	Part Number
Port SC2.2 TVM	8M0065548
Starboard SC2.2 TVM	8M0065547

Qty.	Description	Nm	lb-in.	lb-ft	Part Number
5	Hydraulic pressure transducer	25	-	18.4	8M6001284

TVM Replacement

1. Unlock and disconnect the two TVM connectors.



- a - TVM connector A
- b - TVM connector B

2. Remove the two upper screws and washers and remove the TVM by lifting it up and out.
3. Remove and retain the two upper grommets.
4. Install the two upper grommets on the new TVM module.
5. Mount the TVM to the electrical bracket by sliding the slot at the bottom of the TVM into the lower grommet.
6. Install and tighten the two upper TVM mounting screws to the specified torque.

Description	Nm	lb-in.	lb-ft
TVM mounting screws	5.5	48.7	-

NOTE: The TVM connectors require firm pressure to install and properly engage the connector locks. There will be a distinct and audible click when the connector locks.

7. Attach the TVM connectors A and B. The wires are tagged connector A and connector B. Ensure that the connectors lock.

Hydraulic Transducer Replacement

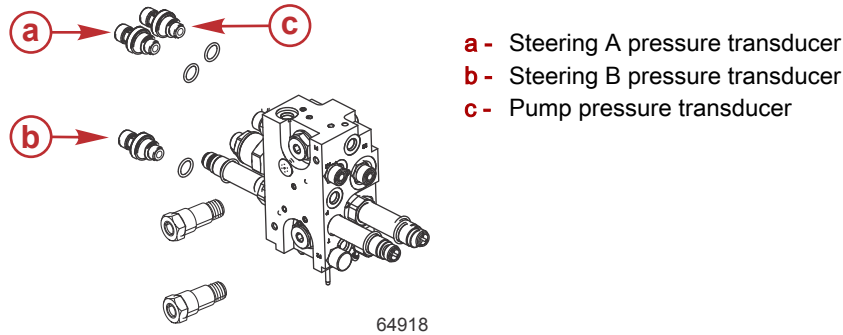
Refer to the **Zeus 3000 Series Pod Drive** service manual for component removal and installation instructions.

THE INFORMATION IN THIS DOCUMENT IS CONFIDENTIAL AND PROTECTED BY COPYRIGHT AND IS THE PROPERTY OF MERCURY MARINE.

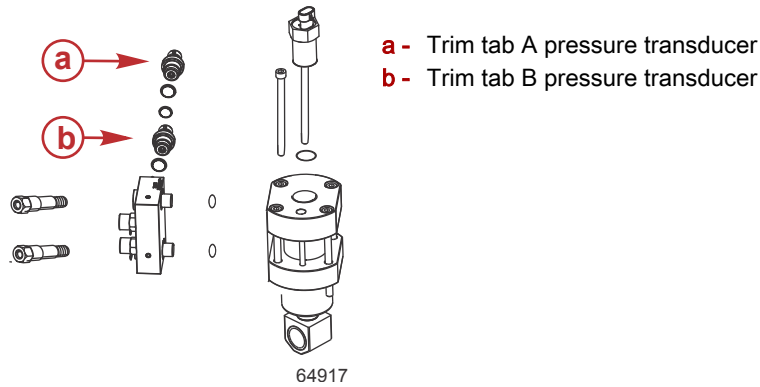
This document is provided for the sole and exclusive use of the original recipient as prescribed by Mercury Marine and may not be distributed or copied, digitally or otherwise, without the prior written consent of Mercury Marine.

Replacing an Existing HH or IH Pod Drive with a Zeus 3000 Series Pod (KP) Drive

Each KP pod's hydraulic steering manifold contains three pressure transducers. These steering pressure transducers are indicated by letters a, b, and c in the following illustration.



Each KP pod's hydraulic trim tab manifold contains two pressure transducers. These trim tab pressure transducers are indicated by the letters a and b in the following illustration.



NOTE: The trim circuit is equipped with a check valve to prevent the trim tab from lowering when the hydraulic pump is not operating. When servicing the trim system, the trim tab should be all the way down. If the vessel is out of the water, you will need to supply water to the seawater pickup and operate the engine to lower the trim tab. If the transmission driven hydraulic pump will not operate, refer to the **Zeus 3000 Series Pod Drive** service manual for instructions on manually lowering the trim tab.

THE INFORMATION IN THIS DOCUMENT IS CONFIDENTIAL AND PROTECTED BY COPYRIGHT AND IS THE PROPERTY OF MERCURY MARINE.

This document is provided for the sole and exclusive use of the original recipient as prescribed by Mercury Marine and may not be distributed or copied, digitally or otherwise, without the prior written consent of Mercury Marine.

Zeus Model Service Replacement Table

Pod Location	Mercury P/N (HH End Models)	Mercury P/N (IH End Models)	Replaced by Mercury P/N (KP End Models)	Overall Ratio (All End Models)
Port	5P4AZ54HH	5P4AZ54IH 355–480 HP (12V)	5P4AZ54KP	2.06
		5P4AZ55IH 355–480 HP (24V)		
Starboard	5Q4AZ54HH	5Q4AZ54IH 355–480 HP (12V)	5Q4AZ54KP	2.06
		5Q4AZ55IH 355–480 HP (24V)		
Port	5P4AZ04HH	5P4AZ04IH 355–480 HP (12V)	5P4CZ64KP w/drop box cooler	2.06
		5P4AZ05IH 355–480 HP (24V)		
Starboard	5Q4AZ04HH	5Q4AZ04IH 355–480 HP (12V)	5Q4CZ64KP w/drop box cooler	2.06
		5Q4AZ05IH 355–480 HP (24V)		
Port	5P4AB04HH	5P4AB04IH 600 HP (12V)	5P4DB74KP w/cold water cooler	1.79
		5P4AB05IH 600 HP (24V)		
Starboard	5Q4AB04HH	5Q4AB04IH 600 HP (12V)	5Q4DB74KP w/cold water cooler	1.79
		5Q4AB05IH 600 HP (24V)		

THE INFORMATION IN THIS DOCUMENT IS CONFIDENTIAL AND PROTECTED BY COPYRIGHT AND IS THE PROPERTY OF MERCURY MARINE.

This document is provided for the sole and exclusive use of the original recipient as prescribed by Mercury Marine and may not be distributed or copied, digitally or otherwise, without the prior written consent of Mercury Marine.