

Circulate to:     Sales Manager     Accounting     Service Manager     Technician     Parts Manager

## Shift Cable Routing

### Models Affected

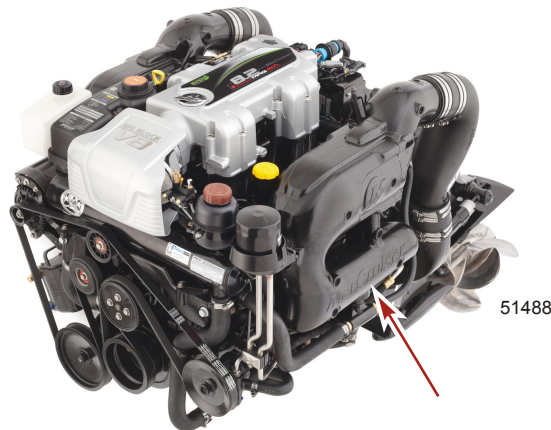
Models Covered	Serial Number
All 8.2 ECT Sterndrive Single Catalyst Exhaust Manifold Models Only	2A041665 and Above

### Scope

Worldwide

### Situation

Mercury MerCruiser has observed a cable routing that can become taut when the sterndrive is trimmed to the trailer position. This condition requires a unique cable routing for the 8.2 ECT Sterndrive DTS and mechanical single catalyst exhaust manifold models.



Only 8.2 ECT Sterndrive models with this ECT exhaust are affected

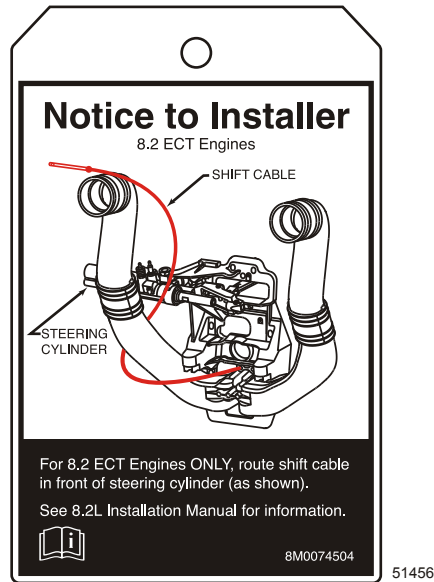
### Correction

**IMPORTANT:** Route the shift cable in front of the steering cylinder assembly as shown. This is only applicable to 8.2 ECT Sterndrive engines with single catalyst exhaust manifold as shown above.

THE INFORMATION IN THIS DOCUMENT IS CONFIDENTIAL AND PROTECTED BY COPYRIGHT AND IS THE PROPERTY OF MERCURY MARINE.

This document is provided for the sole and exclusive use of the original recipient as prescribed by Mercury Marine and may not be distributed or copied, digitally or otherwise, without the prior written consent of Mercury Marine.

Ensure shift cable routing instructions are followed according to the tag attached to the shift cable anchor point. Remove the shift cable routing notice from the shift cable anchor point on the bracket assembly.



## Shift Cable Installation for DTS and Mechanical Shift System

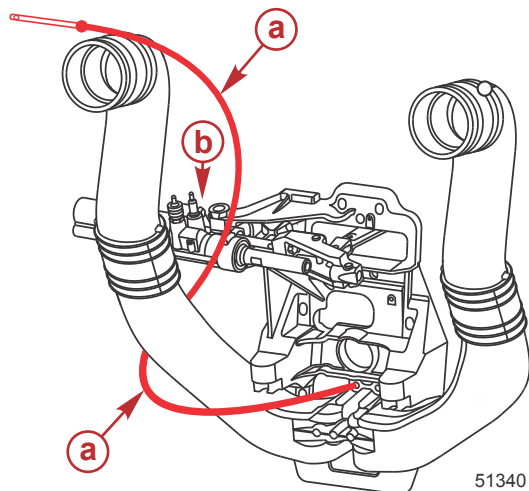
**IMPORTANT:** Do not move the shift cable stud on the shift arm.

**IMPORTANT:** The shift cable barrel is preset and cannot be adjusted.

Route the intermediate shift cable from the transom assembly to the shift actuator as follows:

- The cable should come through the transom, above the exhaust pipe, and make a turn toward the starboard side of the boat between the exhaust pipe and the engine flywheel housing.
- The cable should be routed under the starboard rear engine mount and turn toward the transom.
- The cable should then go in front of the steering cylinder assembly and loop over to the shift actuator on the engine.

**NOTE:** Following this routing will prevent the engine coupler from damaging the cable.



### Shift cable routing

- a** - Shift cable
- b** - Steering cylinder assembly

The unique shift cable routing was communicated to OEMs in advance of this bulletin. If the cable is routed incorrectly reroute the cable following the instruction in the shift cable installation procedure contained in this bulletin.

THE INFORMATION IN THIS DOCUMENT IS CONFIDENTIAL AND PROTECTED BY COPYRIGHT AND IS THE PROPERTY OF MERCURY MARINE.

This document is provided for the sole and exclusive use of the original recipient as prescribed by Mercury Marine and may not be distributed or copied, digitally or otherwise, without the prior written consent of Mercury Marine.