

Circulate to: Sales Manager Accounting Service Manager Technician Parts Manager

Exhaust Pipe and Fastener Change to In-line Sterndrive Diesels

Models Affected

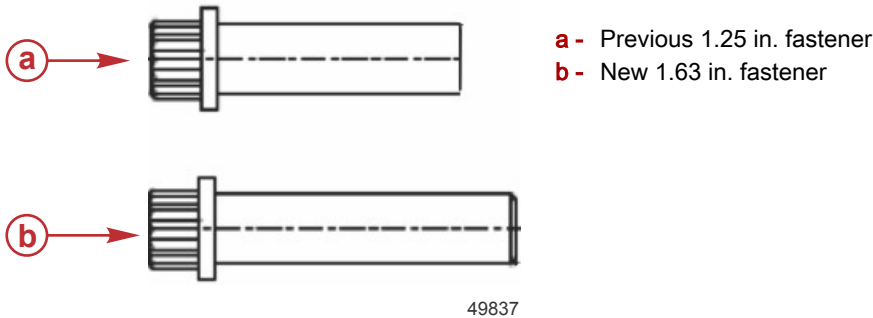
Models Covered	Serial Number
All CMD/Mercury QSD 2.8L In-line Sterndrive Diesel	88311382 and above
All CMD/Mercury QSD 4.2L In-line Sterndrive Diesel	88408279 and above

Situation

The lower exhaust pipe for all QSD sterndrive diesel engine models has changed for additional clearance at the steering cylinder/turbocharger area. Material has been added to the mounting flange area of the pipe which now requires longer fasteners to secure it to the transom. It is important to ensure the correct fasteners are used for proper thread engagement during installation of the lower exhaust pipe and not mixed with older inventory during installation or replacement of the transom assembly. The fasteners for the lower exhaust pipe are located with the transom assembly. We are currently including four each of both the previous fasteners and the newer longer fasteners in the transom assembly parts bags.

If you receive a transom assembly with only the 1.25" long fasteners (10-58640), please order kit 8M0064622, which contains four of the 8M2023352 fasteners.

Identification of New Parts



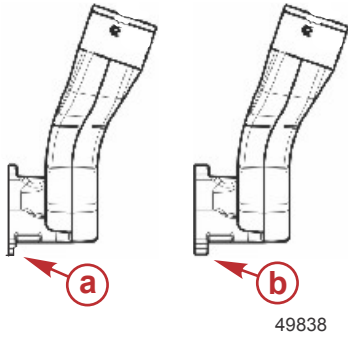
Description	Part Number
New lower exhaust pipe	8M0064822
Previous lower exhaust pipe	805013T 1

THE INFORMATION IN THIS DOCUMENT IS CONFIDENTIAL AND PROTECTED BY COPYRIGHT AND IS THE PROPERTY OF MERCURY MARINE.

This document is provided for the sole and exclusive use of the original recipient as prescribed by Mercury Marine and may not be distributed or copied, digitally or otherwise, without the prior written consent of Mercury Marine.

Exhaust Pipe and Fastener Change to In-line Sterndrive Diesels

Area of referenced change of dimension to the flange of the exhaust pipe.



a - Previous 12.70 mm (0.50 in.) flange

b - New 22.03 mm (0.87 in.) flange

THE INFORMATION IN THIS DOCUMENT IS CONFIDENTIAL AND PROTECTED BY COPYRIGHT AND IS THE PROPERTY OF MERCURY MARINE.

This document is provided for the sole and exclusive use of the original recipient as prescribed by Mercury Marine and may not be distributed or copied, digitally or otherwise, without the prior written consent of Mercury Marine.