

Revised 3-13-1996

Pro Max/Super Magnum Power Trim Relay

MODELS AFFECTED

All Mercury and Mariner Hi-Performance Pro Max and Super Mag models in the following serial number group.

Serial Numbers: 0G205074 - 0G367591

Beginning with serial number 0G205074 all Pro Max and Super Magnum 150-225 horsepower models utilized electronic relays to activate the power trim. During production assembly a dielectric compound was applied to the relay/harness connection. Under certain extreme conditions, this dielectric compound can enter the relay causing an open circuit. This will not allow the power trim to operate. Testing has revealed that the relay does not require dielectric compound to be installed for proper operation or sealing. Beginning with serial number 0G367592 the dielectric compound has been eliminated.

OWNER NOTIFICATION (US AND CANADA)

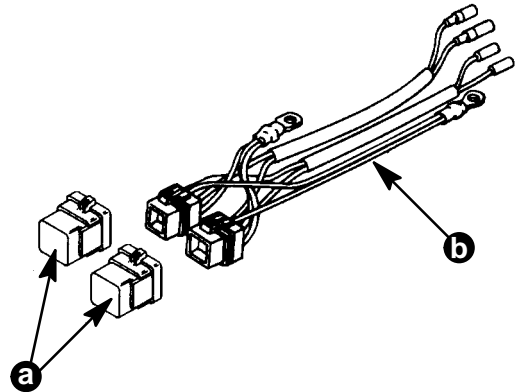
A combination letter/claim (US) or a letter (Canada) will be sent to every registered owner of the affected outboard. The letter will advise the owner to return their outboard to their selling dealer or an authorized dealer for replacement of the power trim relays and wire harness. A copy of the letter/claim is included with this Service Bulletin.

DEALER OUTBOARD INVENTORY

Affected outboards in dealer inventory **MUST BE** re-worked prior to customer delivery.

CORRECTIVE ACTION REQUIRED

Remove both power trim relays (a) and the power trim wire harness (b) and install two (2) power trim relays [P/N 828151] and one (1) power trim harness [P/N 84-826802A4]. **DO NOT USE ANY DIELECTRIC COMPOUND OR SEALANT OF ANY KIND DURING REASSEMBLY.**



a - Relay (2)
b - Harness

WARRANTY

Complete a warranty claim listing:

- Outboard Serial Number
- Qty. 2 of p/n 828151
- Qty. 1 or p/n 84-826802A4
- 0.8 hrs. labor
- Flat Rate Code: NJC
- Failure Code: 127 40

USA and Canada: Complete and return warranty claim form. Tag and hold parts for 60 days after warranty credit is received.

International: Follow instructions issued by Marine Power International Office or by your distributor.