

2.5 EFI Fuel Adjustment

Models: All MHP Mercury and Mariner 2.5 EFI/2.5 EFI Offshore Outboards

SERIAL NUMBER: D181381 AND ABOVE

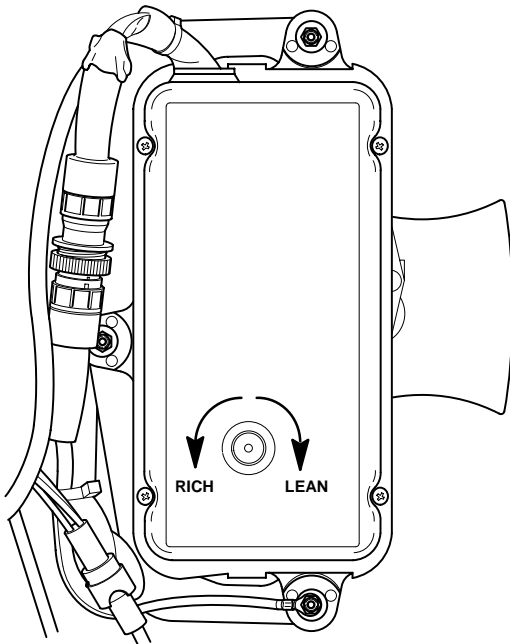
The ECU box (11350A27) used on all 2.5 EFI engines after serial number D181381 has a fuel adjustment potentiometer that affects fuel /air ratio opposite all previous plastic covered ECU boxes. See illustrations that follow for proper fuel adjustment.

IMPORTANT: It is always recommended that the ECU box be adjusted by using Mercury EFI tester 91-11001 A-2.

ADJUSTING ECU WITH EFI TESTER

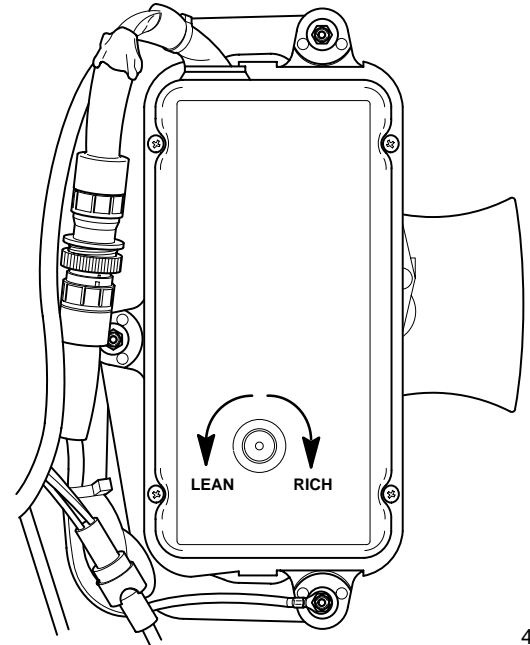
1. Use EFI Tester Manual for tester set-up.
2. Normalize ECU box for your application.
3. Turn potentiometer adjusting screw. If the normalization number increases, the air/fuel ratio is richer; if the number decreases, the ratio is leaner.

11350A17 & EARLIER PLASTIC COVERED ECU BOX



40537

11350A27 ECU BOX



40537