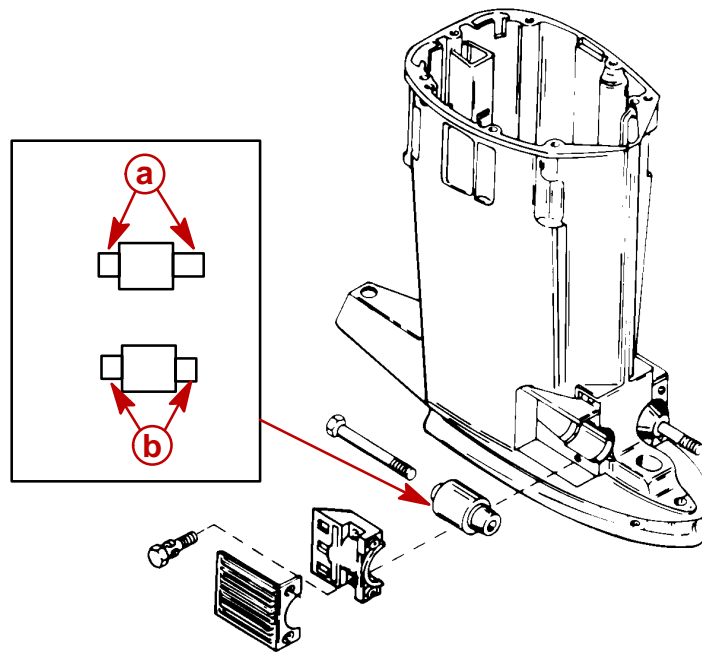


## Symmetrical Solid Lower Mount

### ⚠ CAUTION

Do not use a non-symmetrical solid lower mount (P/N 816054) with a symmetrical solid lower mount (P/N 816054--1).

A new solid lower mount will be offered as a service replacement in which both ends are identical and can be installed with either end facing the transom assembly. These symmetrical mounts will only be sold in pairs to insure that a non-symmetrical and a symmetrical mount will never be used on the same drive shaft housing.



- a-** Non-Symmetrical Solid Mount (P/N 816054) Has One Longer End. Can Only Be Installed One Way.
- b-** Symmetrical Solid Mount (P/N 816054--1) Both Ends Are Equal in Length. Either End Can Face Transom Assembly