

WARRANTY INFORMATION SERVICE INFORMATION

Vapor Separator Cover (VST) Fitting

Models Affected

MERCURY

Pro Max 200/225 HP,
S/N 0G857653 Thru 0G858175

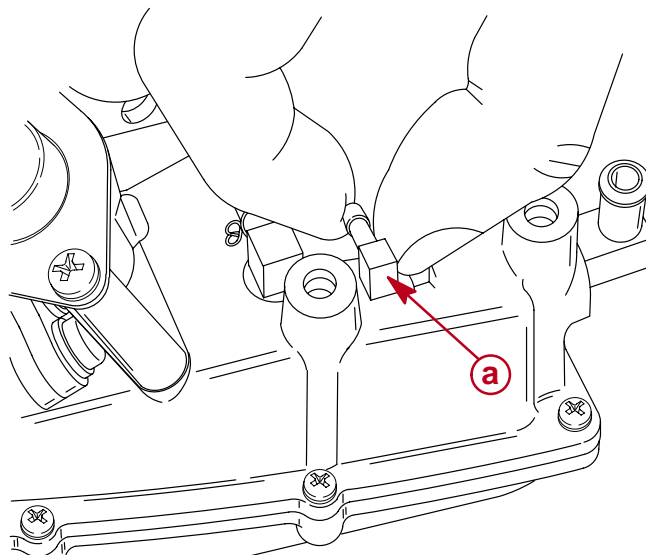
An inaccurate manufacturing process of the bleed return hose fitting on the top cover of the Vapor Separator Tank (VST) may cause the fitting to be loose. This is a pressed in elbow fitting that allows recirculated oil/fuel from the reed block area to enter the VST. The fitting should be checked for looseness and replaced if necessary.

OWNER NOTIFICATION

A letter will be sent to every registered owner of an affected outboard. The letter will advise the owner to return their outboard to their dealer or any Mercury/Mariner authorized dealer for the repair.

INSPECTION/TEST

If the outboard is within the above serial number range and does NOT have the factory rework markings on the engine carton or engine, check the fitting for tightness. Remove the bleed return hose from the fitting, and by hand using moderate pressure try to twist the fitting in the VST cover. If the fitting can be turned by hand, it should be replaced with fitting **P/N 22-877324**.



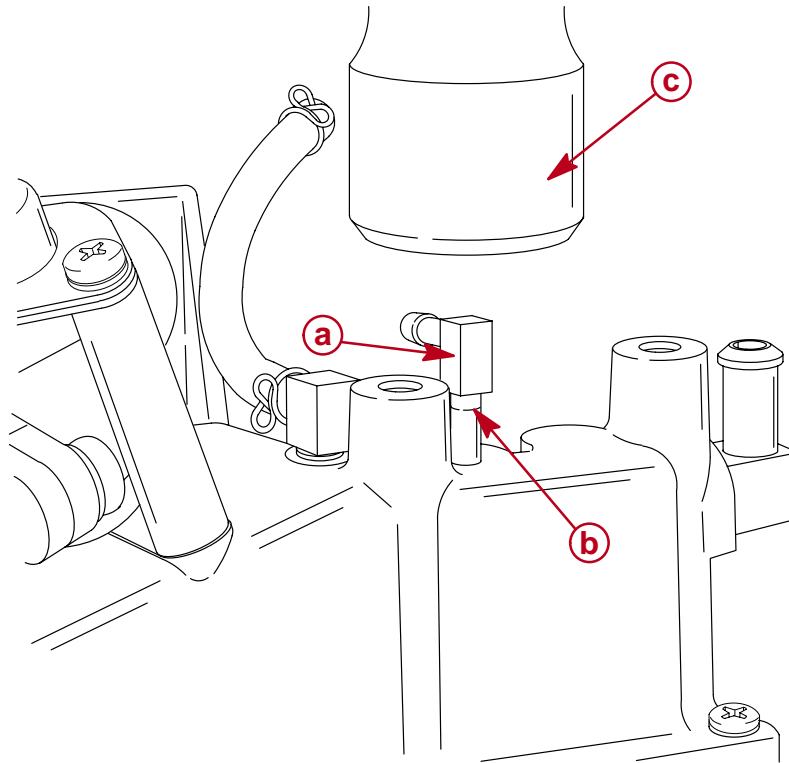
a - Elbow Fitting

57753

CORRECTION

If the fitting can not be turned by hand, reinstall the bleed line, and mark a WHITE dot on the side of the VST.

If the fitting is found to be loose, remove the old fitting. Install new fitting **P/N 22-877324** by carefully using a hammer to drive it into the VST cover. The fitting should be installed with the serrated portion facing down toward the cover. Check the new fitting for tightness, reinstall the bleed line, and mark a WHITE dot on the side of the VST.



57754

- a** - Elbow fitting
- b** - Serrated portion
- c** - Hammer

PARTS REQUIRED

Qty. one (1) elbow fitting P/N 22-877324.

REPAIR IDENTIFICATION

FACTORY REWORK IDENTIFICATION

Engines reworked at the factory have an ORANGE dot on the engine carton, near the serial number location, and a WHITE dot on the side of the VST.

DEALER REWORK IDENTIFICATION

After the fitting has been checked or replaced, place a WHITE paint dot on the side of the VST.

WARRANTY

The normal one (1) year warranty applies. Complete warranty claim listing.

- Outboard serial number
- Qty. 1 fitting P/N 22-877324
- Five tenth (0.5) hour labor (inspection only)
- Three tenth (0.3) hour labor fitting replacement
- Warranty Flat Rate Code: HF16 inspection only
- Warranty Flat Rate Code: NJC fitting replacement
- Failure Code: 799-00

US and Canada - Complete/process claim via Midas or return a warranty claim form.

INTERNATIONAL: Follow instructions issued by Marine Power International office or by your distributor.



Marine Products and Services

N7480 County Road UU
Fond du Lac, WI 54935 USA
Phone: 920-921-5330
Fax: 920-921-6533
www.mercurymarine.com

Dear Mercury Marine Customer:

Our records indicate that you are the owner of a Mercury Marine Hi-Performance outboard included in a recall. An inaccurate manufacturing process of the bleed return hose fitting on the top cover of the Vapor Separator Tank (VST) may cause the fitting to be loose. This is a pressed in elbow fitting that allows recirculated oil/fuel from the reed block area to enter the VST. The fitting should be checked for looseness and replaced if necessary. This product improvement is being offered to current owners to provide improved durability.

WHAT YOU SHOULD DO

Contact your authorized dealer, preferably the one who sold you the engine, and make arrangements to determine if your engine needs to be repaired. The dealer will refer to Mercury Racing Service Bulletin 99-6 for instructions. You must deliver your engine to the dealer and present this letter, the reverse side of which is a claim form your dealer needs to send to us for reimbursement.

NOTE: *If your boat is in storage, you may want to wait until you remove it from storage to have this service performed.*

WHAT WE WILL DO

We will reimburse the authorized dealer for checking the fitting for tightness and/or replacing the fitting accordance with the Mercury Racing Service Bulletin 99-6.

We apologize for any inconvenience this recall may have caused you. However, we have taken this action to assure your boating enjoyment and continued satisfaction with our product.

Sincerely,

Mercury Racing