

Circulate to:  Sales Manager  Accounting  Service Manager  Technician  Parts Manager

## Gearcase Oil Sleeve (P/N 23-43998) is No Longer Available

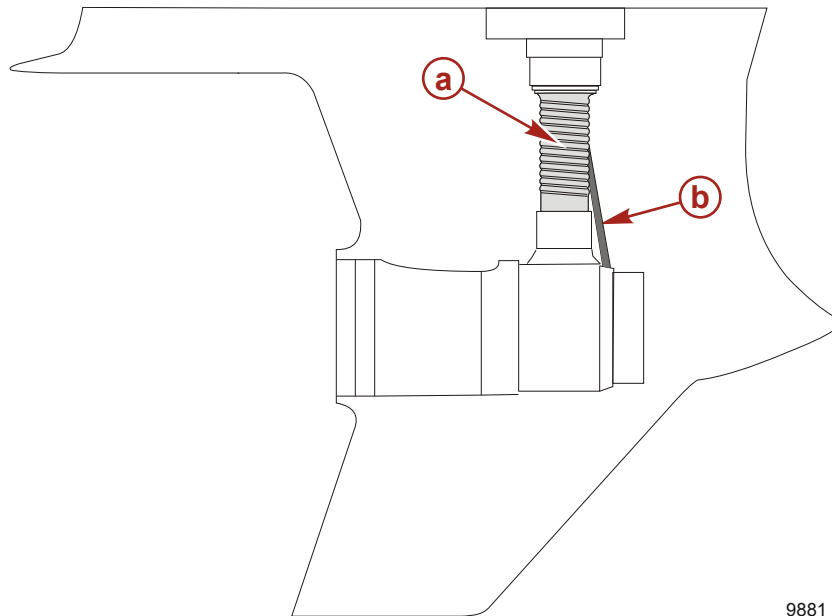
### Models Affected

V6 outboard gearcases and Mercury Racing Crescent Leading Edge (CLE) gearcases - 1992 model year and earlier (prior to manufacture date September 1991).

### Situation

Lubrication sleeve (P/N 23-43998) is no longer available (NLA) for purchase.

Prior to September of 1991, these gearcases provided a 0.25 in. diameter oil passage to aid in lubrication, as shown below. The lubrication sleeve moves oil up the length of the driveshaft to the driveshaft bearings. In September of 1991, Mercury Marine enlarged the diameter of the oil passage from 6.35 mm (0.25 in.) to 9.5 mm (0.375 in.). The lubrication sleeve is not required on gearcases with the 9.5 mm (0.375 in.) diameter oil passage.



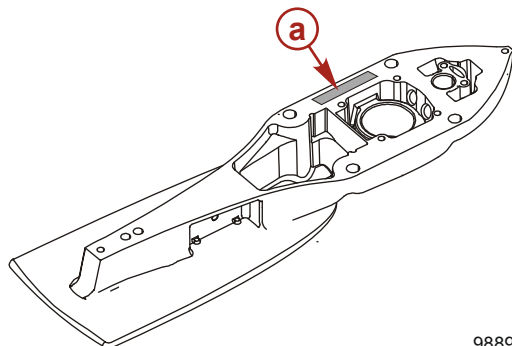
9881

- a** - Lubrication sleeve
- b** - Oil passage

THE INFORMATION IN THIS DOCUMENT IS CONFIDENTIAL AND PROTECTED BY COPYRIGHT AND IS THE PROPERTY OF MERCURY MARINE.

This document is provided for the sole and exclusive use of the original recipient as prescribed by Mercury Marine and may not be distributed or copied, digitally or otherwise, without the prior written consent of Mercury Marine.

To determine the date of manufacture on Mercury Racing CLE gearcases, look at the top of the housing in the location shown below. The date code lists the year of manufacture in a 2-digit format, followed by the month in letter format according to the chart below. Standard outboard V6 gearcases do not display this information.



9889

**a** - Date of manufacture

Month Date Code	Month of Manufacture	Month Date Code	Month of Manufacture
A	January	G	July
B	February	H	August
C	March	J	September
D	April	K	October
E	May	L	November
F	June	M	December

## Correction

If you are rebuilding a gearcase built prior to 1991, reuse the existing sleeve. If ordering a new gear housing, the sleeve is not required due to the increased diameter of the oil passage.

THE INFORMATION IN THIS DOCUMENT IS CONFIDENTIAL AND PROTECTED BY COPYRIGHT AND IS THE PROPERTY OF MERCURY MARINE.

This document is provided for the sole and exclusive use of the original recipient as prescribed by Mercury Marine and may not be distributed or copied, digitally or otherwise, without the prior written consent of Mercury Marine.