

Water Pump Base Cracked – 75 HP

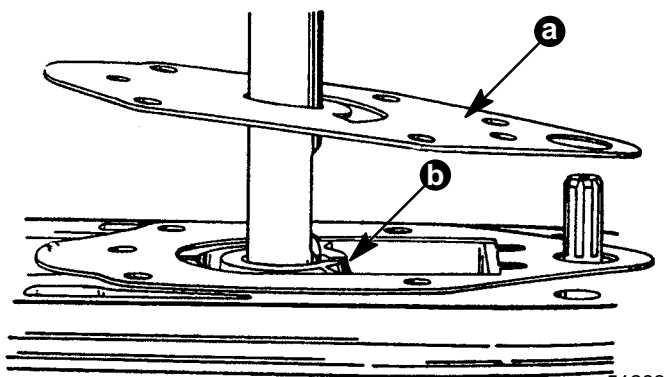
Models Affected

Force/Tracker 1997 75 HP

Serial Number

USA 0E272933 thru 0E276907

The water pump base on the models listed may crack and allow water to enter the gearcase causing a premature gear failure. Product previous to the serial numbers listed are not affected. The crack is caused by a combination of brittle material and incorrect clearance for the seal. A new water pump base p/n 46-812966A9 is changed in design and made of a more durable material to resist cracking.



a - Water Pump Base Plate
b - Front Area May Crack

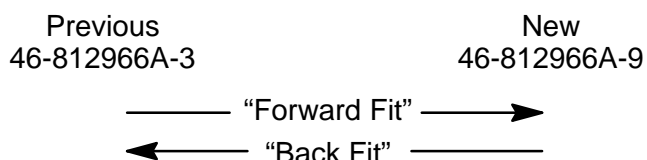
Gearcase assemblies, water pump kits, and water pump bases have been reworked beginning April 1997.

Outboards reworked at the factory have the serial number listed in this bulletin and an orange dot is on the outside of the shipping carton next to the serial number.

Outboards within the serial number listed that are not reworked should have the water pump base replaced before delivery to the customer or when servicing.

Parts Interchangeability

Water pump base p/n 46-812966A3 supersedes to p/n 46-812966A9. Previous water pump base may be used on new product – “forward fit”. New water pump base can be used on previous product – “back fit”.



Service Parts Stock

Replace any 46-812966A3 water pump base (individual or in kits) in your dealership service stock that is cracked or has a box date in February or March of 1997. Return the unused base(s) with the warranty claim. Continue to use up the good older stock of the previous water pump base p/n 46-812966A3. Mercury Marine’s inventory was converted to the new water pump base in April, 1997.

Inspection/Test

On the non-reworked models within the serial numbers listed replace the water pump base:

- Before delivery of a new outboard to the customer.
- When servicing an outboard.

Correction

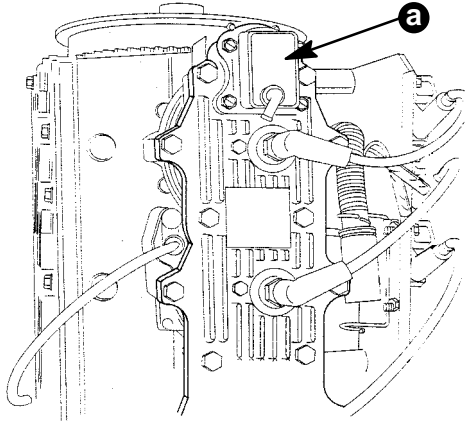
Install a new water pump base p/n 46-812966A9, install new water pump gaskets, pressure test, assemble lower unit to outboard, and identify that the outboard was repaired by placing a white paint dot on the thermostat cover.

Parts Required

- Qty. 1 P/N 46-812966A9 Water Pump Base
- Qty. 1 P/N 27-19701 Water Pump Gasket - Lower
- Qty. 1 P/N 27-822189 Water Pump Gasket - Upper

Repair Identification

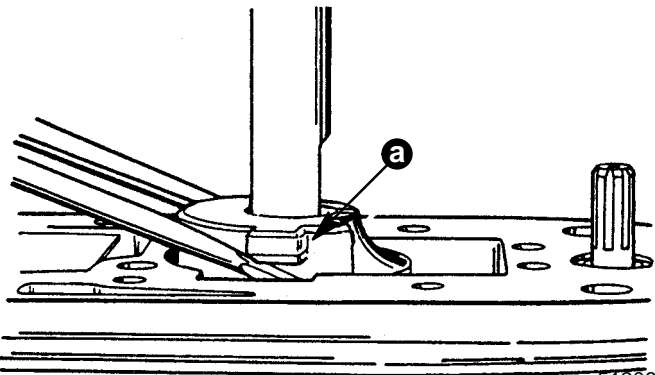
Repair at the dealership should be marked with a white dot on the thermostat cover.



a - Thermostat Cover

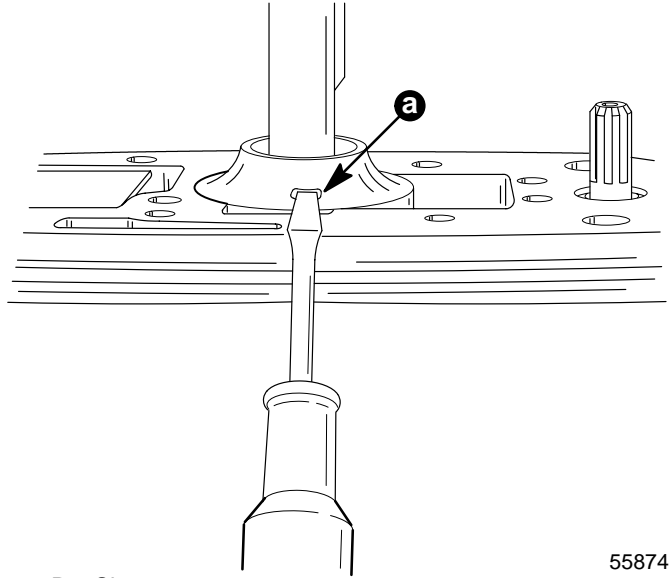
Service Information

The previous water pump base p/n 46-812966A3 has a pry tab on each side to assist in removal from the gear housing.



a - Pry Tabs

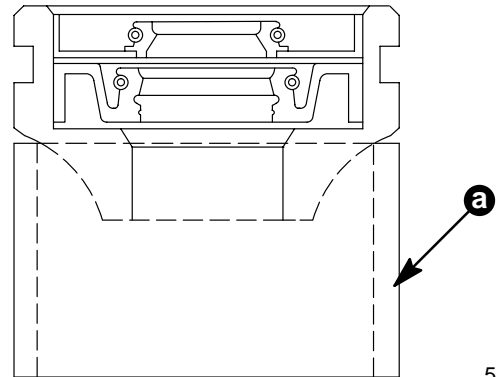
The new water pump base p/n 46-812966A9 has a pry slot on each side to assist in removal from the gear housing. The slots must be positioned to the sides of the gear housing to allow for easy removal of the base if future servicing is required.



55874

a - Pry Slots.

The water pump base must be properly supported on the outer edge when installing the seals into an empty base. The base is thinner on the outer edge of the seal area and breakage could occur if it is supported only on the center. Use a suitable mandrel that supports and contacts the outer surface of the base.



55878

a - Support Mandrel.

Factory Reworked Outboards

These outboards are reworked, but do not have an orange dot on the thermostat cover. Other factory reworked outboards have an orange dot on the thermostat cover.

0E274010	0E274501	0E274976	0E275685	0E276005	0E276280	0E276415	0E276710
0E274150	0E274540	0E274977	0E275686	0E276034	0E276281	0E276416	0E276711
0E274159	0E274547	0E274979	0E275687	0E276035	0E276283	0E276418	0E276712
0E274165	0E274550	0E274981	0E275688	0E276036	0E276285	0E276420	0E276713
0E274172	0E274552	0E274982	0E275692	0E276040	0E276292	0E276435	0E276714
0E274173	0E274554	0E274983	0E275693	0E276042	0E276293	0E276445	0E276715
0E274174	0E274593	0E274985	0E275694	0E276048	0E276294	0E276449	0E276716
0E274192	0E274598	0E274986	0E275704	0E276052	0E276295	0E276451	0E276717
0E274200	0E274601	0E274987	0E275705	0E276063	0E276296	0E276457	0E276718
0E274203	0E274606	0E274988	0E275707	0E276070	0E276305	0E276458	0E276719
0E274211	0E274608	0E274989	0E275736	0E276081	0E276307	0E276470	0E276720
0E274212	0E274617	0E274991	0E275752	0E276092	0E276310	0E276473	0E276721
0E274214	0E274621	0E274992	0E275759	0E276097	0E276312	0E276475	0E276722
0E274222	0E274626	0E274994	0E275761	0E276099	0E276317	0E276476	0E276723
0E274230	0E274630	0E274997	0E275764	0E276200	0E276318	0E276481	0E276730
0E274233	0E274655	0E274999	0E275765	0E276201	0E276320	0E276482	0E276736
0E274235	0E274656	0E275467	0E275767	0E276202	0E276322	0E276484	0E276737
0E274237	0E274704	0E275468	0E275768	0E276203	0E276323	0E276486	0E276739
0E274239	0E274757	0E275469	0E275769	0E276204	0E276328	0E276489	0E276760
0E274240	0E274774	0E275486	0E275811	0E276206	0E276330	0E276494	0E276762
0E274241	0E274778	0E275489	0E275812	0E276207	0E276331	0E276495	0E276771
0E274242	0E274780	0E275497	0E275821	0E276215	0E276332	0E276575	0E276785
0E274243	0E274789	0E275500	0E275830	0E276217	0E276334	0E276577	0E276788
0E274244	0E274791	0E275507	0E275832	0E276218	0E276336	0E276578	0E276800
0E274247	0E274793	0E275518	0E275838	0E276219	0E276350	0E276580	0E276804
0E274249	0E274794	0E275528	0E275839	0E276231	0E276351	0E276582	0E276806
0E274250	0E274795	0E275529	0E275850	0E276232	0E276352	0E276583	0E276807
0E274252	0E274799	0E275531	0E275855	0E276233	0E276353	0E276585	0E276808
0E274255	0E274807	0E275532	0E275856	0E276234	0E276354	0E276591	0E276810
0E274260	0E274816	0E275537	0E275871	0E276235	0E276361	0E276600	0E276811
0E274262	0E274836	0E275555	0E275879	0E276244	0E276364	0E276603	0E276814
0E274273	0E274911	0E275559	0E275888	0E276245	0E276365	0E276604	0E276816
0E274297	0E274913	0E275568	0E275896	0E276250	0E276371	0E276606	0E276818
0E274298	0E274917	0E275569	0E275912	0E276251	0E276373	0E276610	0E276852
0E274301	0E274934	0E275570	0E275927	0E276252	0E276374	0E276612	0E276863
0E274343	0E274937	0E275641	0E275937	0E276253	0E276375	0E276658	0E276870
0E274422	0E274945	0E275643	0E275943	0E276254	0E276376	0E276659	0E276881
0E274424	0E274948	0E275644	0E275946	0E276255	0E276395	0E276665	0E276884
0E274426	0E274950	0E275646	0E275948	0E276258	0E276396	0E276692	0E276885
0E274431	0E274955	0E275651	0E275952	0E276263	0E276398	0E276693	0E276886
0E274458	0E274958	0E275666	0E275953	0E276269	0E276400	0E276694	0E276887
0E274460	0E274959	0E275669	0E275961	0E276275	0E276402	0E276696	0E276904
0E274461	0E274963	0E275674	0E275966	0E276276	0E276403	0E276700	0E276905
0E274487	0E274964	0E275676	0E275971	0E276277	0E276406	0E276701	0E276906
0E274496	0E274972	0E275681	0E275978	0E276278	0E276408	0E276703	0E276907
0E274497	0E274973	0E275684	0E275986	0E276279	0E276410	0E276707	

Warranty

Complete warranty claim listing:

Outboard serial number

Qty. 1 P/N 46-812966A9 Water Pump Base

Qty. 1 P/N 27-19701 Water Pump Gasket - Lower

Qty. 1 P/N 27-822189 Water Pump Gasket - Upper

One (1.0) hour labor

Warranty labor rate code – NJC.

Failure code – 609 00.

US & Canada –

Dealer Service Stock – Return base(s) with warranty claim.

Replaced Base – Tag and hold replaced base for 60 days after the warranty credit is received.

International – Hold parts for inspection/disposal by a Marine Power International technical representative.