

WARRANTY INFORMATION

SERVICE INFORMATION

Bulletin No. 2002-06

PARTS INFORMATION

Circulate to:  Sales Manager  Accounting  Service Manager  Technician  Parts Manager

## Correction of Leak at Nosecone of Pinpoint Hybrid Lower Units

### Models Affected

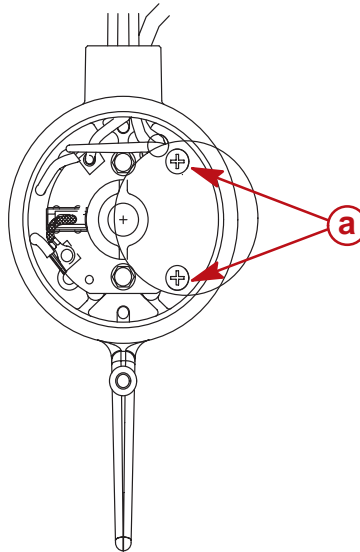
All Pinpoint 3000 and SX series trolling motors with "T31" in the first three digits of the serial number (May 2001 production).

### Situation

The o-ring that seals the nosecone is not being properly compressed, allowing water to leak into the lower unit.

### Correction

Replace two of the existing 0.75 in. (19.05 mm) long screws that connect the commutator cap to the transducer nosecone. These screws, located on the side opposite from the mosfet board, are to be replaced by part number MXP22802, which is 0.50 in (12.7 mm) long.



**a** - MXP22802 0.50 in (12.7 mm)

**IMPORTANT: Correct positioning of these two screws is critical to the proper compression of the commutator cap-to-nosecone o-ring. Apply CLEAR ATV sealant between the nosecone and the commutator cap to create an additional protective seal.**

THE INFORMATION IN THIS DOCUMENT IS CONFIDENTIAL AND PROTECTED BY COPYRIGHT AND IS THE PROPERTY OF MOTORGUIDE.

This document is provided for the sole and exclusive use of the original recipient as prescribed by MotorGuide and may not be distributed or copied, digitally or otherwise, without the prior written consent of MotorGuide.

---

## Parts Required

Qty. 2            MXP22802            Screw .050 in. (12.7 mm)  
Clear ATV Sealer

## Warranty

**MotorGuide will credit the dealer for the cost of parts and labor for one year from the issuance of this advisory. Please note the month and year located at the lower corner of the front page of this advisory.**

Complete warranty claims listing:

- Model/Serial number
- Qty. 2            MXP22802            Screw .050 in. (12.7 mm)
- One (1.0) hour labor
- Flat Rate Code: PP23
- Part Code: 215
- Failure Code: 00

**USA and Canada:** Complete warranty claim form (use Midas/MercNet if available).

**Fax to:**            1-920-929-5893

**Mail to:**            Mercury Marine  
                          Attn.: Warranty Department PP SB #2002-06  
                          P.O. Box 1939  
                          Fond du Lac, WI 54936-9983

---

THE INFORMATION IN THIS DOCUMENT IS CONFIDENTIAL AND PROTECTED BY COPYRIGHT AND IS THE PROPERTY OF MOTORGUIDE.

This document is provided for the sole and exclusive use of the original recipient as prescribed by MotorGuide and may not be distributed or copied, digitally or otherwise, without the prior written consent of MotorGuide.